



US00D782724S

(12) **United States Design Patent** (10) **Patent No.:** **US D782,724 S**
Heerema (45) **Date of Patent:** **** Mar. 28, 2017**

(54) **LAMP**

(71) Applicant: **IDEA URGENCY CORPORATION,**
Calgary (CA)

(72) Inventor: **Leslynn Heerema,** Calgary (CA)

(73) Assignee: **IDEA URGENCY CORPORATION,**
Calgary, Alberta

(**) Term: **15 Years**

(21) Appl. No.: **29/555,821**

(22) Filed: **Feb. 25, 2016**

(51) **LOC (10) Cl.** **26-03**

(52) **U.S. Cl.**
USPC **D26/88**

(58) **Field of Classification Search**
USPC D26/67, 70, 72, 82-86, 88-91, 118, 128,
D26/129, 132
CPC F21S 8/06; F21S 8/061; F21S 8/063; F21S
8/065; F21S 8/068; F21V 3/0418; F21V
3/0427; F21V 3/0436; F21V 3/0445;
F21V 21/008; F21V 21/104
See application file for complete search history.

(56) **References Cited**

U.S. PATENT DOCUMENTS

D68,207	S	*	9/1925	Gosling	D26/88
1,686,571	A	*	10/1928	Plaut	F21S 8/06 362/247
D100,102	S	*	6/1936	Halvorson	D26/67
D162,124	S	*	2/1951	Brooks	D26/89
D254,155	S	*	2/1980	Allen	D26/104
D438,332	S	*	2/2001	Pratt	D26/131
D481,157	S	*	10/2003	Fickas	D26/128
D481,489	S	*	10/2003	Cline	D26/128
D494,310	S	*	8/2004	Cline	D26/128
D757,328	S	*	5/2016	Anderson	D26/84

OTHER PUBLICATIONS

Outdoor Wallmount Downlight from lampsplus.com, visited Mar. 16, 2016.*
Hinkley Squirrel and Acorn Landscape Light (48745) from lampsplus.com; visited Sep. 1, 2005.*
Beschizza, Ro, "Leaf-like Solar Panels Garb Houseplant Gadget", Boing Boing, Jun. 4, 2008, all pages, Retrieved from the Internet on Jan. 14, 2016. [http://gadgets.boingboing.net/2008/06/04/leaflike-solar-panel.html].
"Solvinden LED Solcellsdriven Bordslampa, akacia", IKEA, All pages, Retrieved from the Internet on Jan. 14, 2016. [http://www.ikea.com/se/sv/catalog/products/50320202/].
Kral, Thomas, "Plug", Dezeen Magazine, Jul. 7, 2008, All pages, Retrieved from the Internet on Jan. 14, 2016. [http://www.dezeen.com/2008/07/07/plug-by-tomas-kral].
"Ando 1 Light Pendant in Cork/Glass", Beacon Lighting Commercial, All pages, Retrieved from the Internet on Jan. 14, 2016. [http://www.beaconlightingcommercial.com.au/ando-1-light-pendant-in-cork-glass.html].

* cited by examiner

Primary Examiner — Clare E Heflin
(74) *Attorney, Agent, or Firm* — Norton Rose Fulbright
Canada LLP; Alexandre Daoust

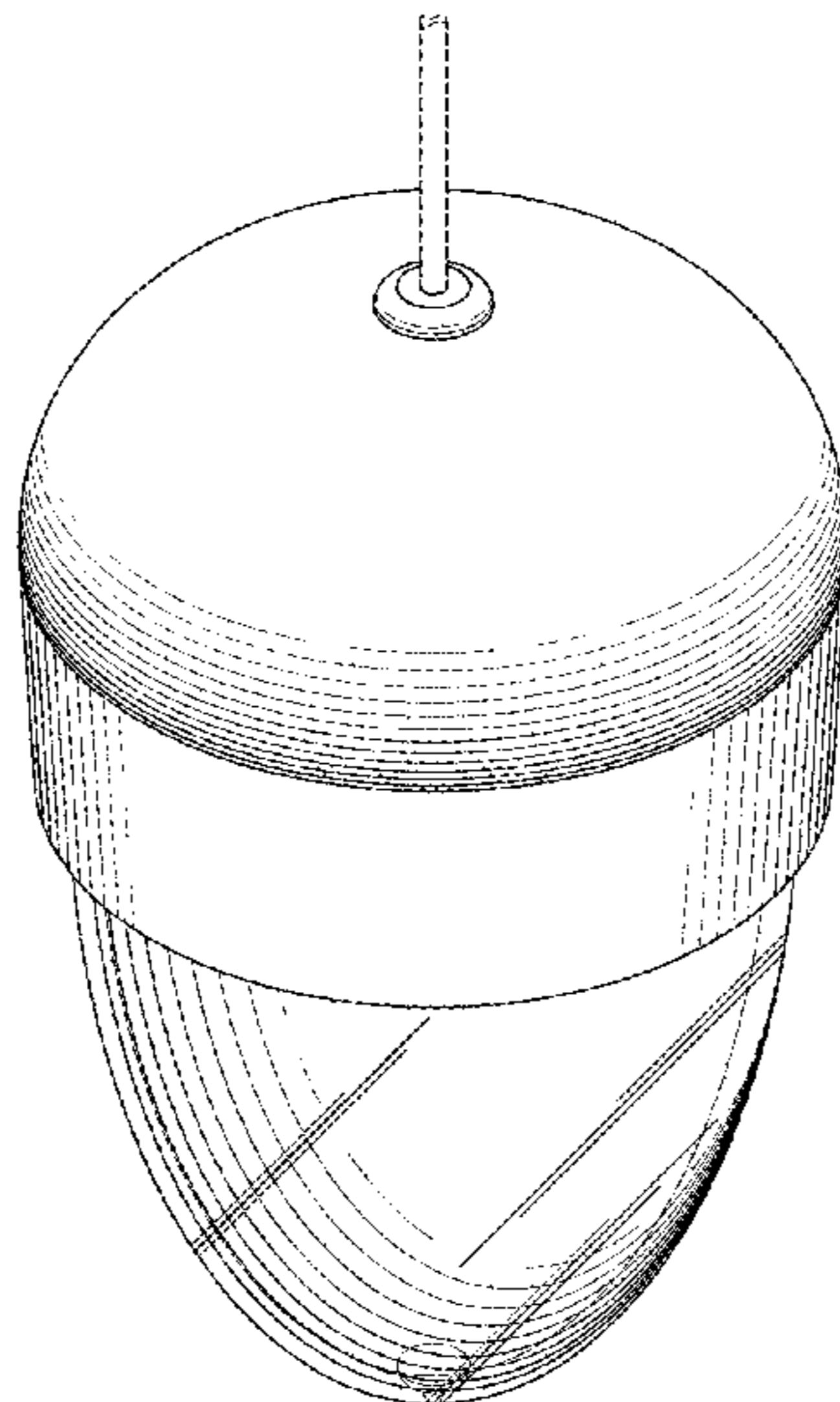
(57) **CLAIM**

The ornamental design for a lamp, as shown and described.

DESCRIPTION

FIG. 1 is an oblique view of the lamp;
FIG. 2 is a front view thereof, the rear, left side, and right side views being identical thereto;
FIG. 3 is a bottom view thereof; and,
FIG. 4 is a top view thereof.
The dashed line showing of structural lines is included for the purpose of illustrating non-claimed subject matter and forms no part of the claimed design.

1 Claim, 3 Drawing Sheets



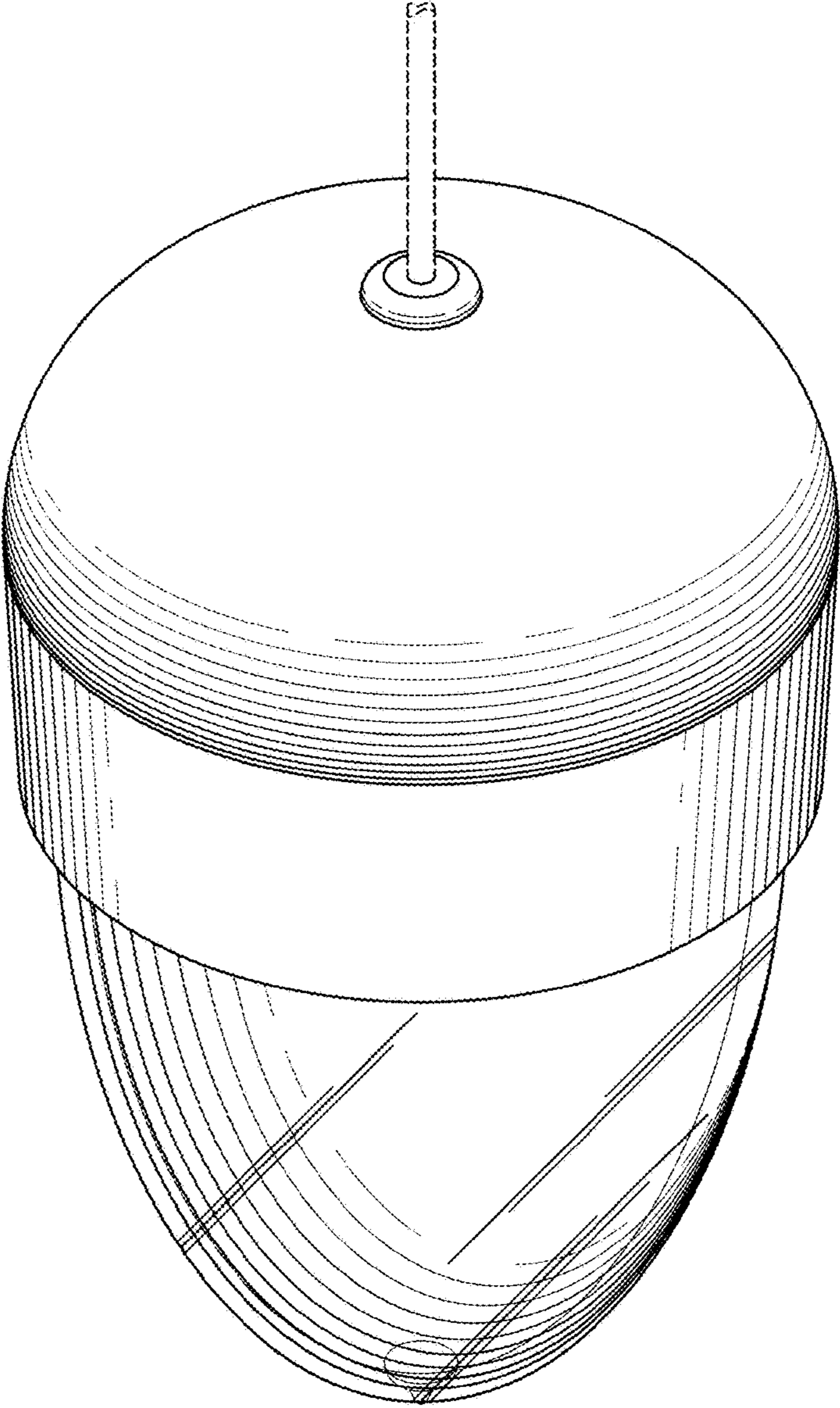


Fig-1

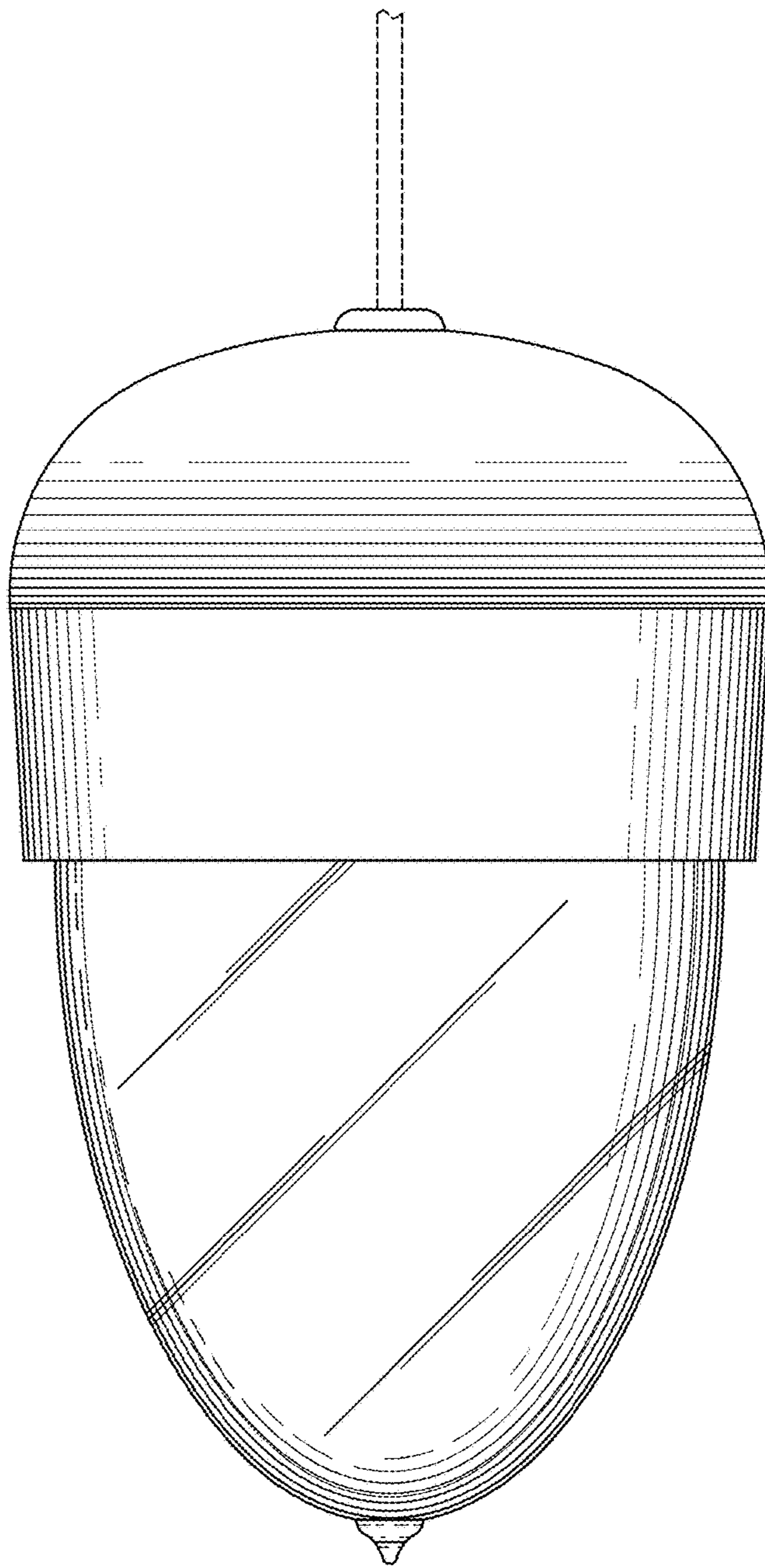


FIG. 2

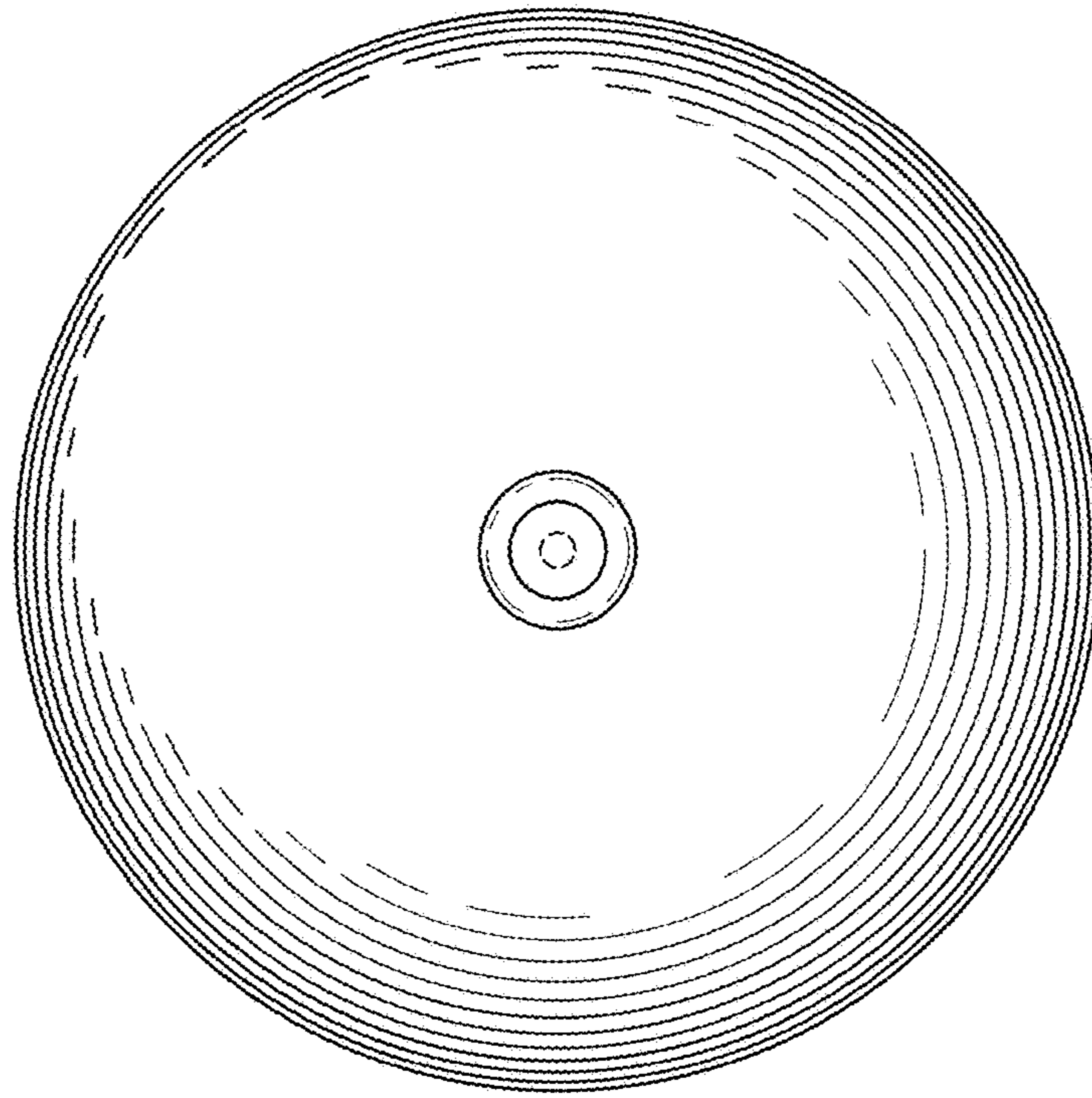


FIG-4

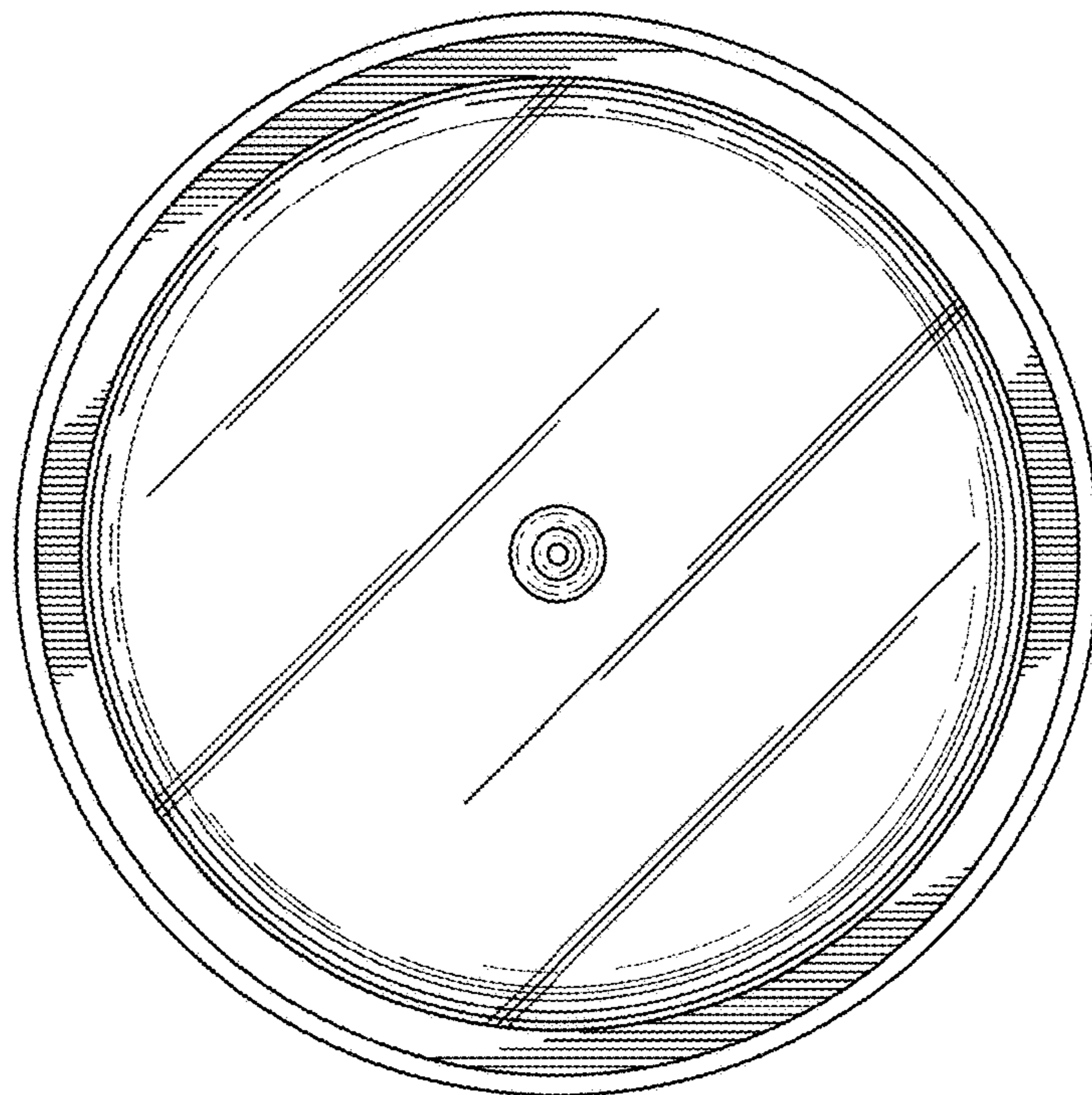


FIG-3