



US00D782723S

(12) **United States Design Patent**
Martin

(10) **Patent No.:** **US D782,723 S**

(45) **Date of Patent:** **** Mar. 28, 2017**

(54) **LAMP**

(71) Applicant: **Hubbardton Forge LLC**, Castleton, VT (US)

(72) Inventor: **David Martin**, Brandon, VT (US)

(73) Assignee: **Hubbardton Forge, LLC.**, Castleton, VT (US)

(**) Term: **15 Years**

(21) Appl. No.: **29/533,566**

(22) Filed: **Jul. 20, 2015**

(51) **LOC (10) Cl.** **26-03**

(52) **U.S. Cl.**
USPC **D26/88**

(58) **Field of Classification Search**
USPC D26/76, 80, 82, 83, 84, 85, 88, 90, 91,
D26/118, 120, 128, 130, 131, 135, 154
CPC F21S 8/04; F21S 8/043; F21S 8/046; F21S
8/06; F21S 8/061; F21S 8/063; F21S
8/065; F21S 8/068; F21V 1/26; F21V
7/005; F21V 11/116; F21V 3/023
See application file for complete search history.

(56) **References Cited**

U.S. PATENT DOCUMENTS

D622,893 S *	8/2010	Nadell	D26/88
D659,885 S *	5/2012	Holder	D26/127
D660,501 S *	5/2012	Martin	D26/82
D665,120 S *	8/2012	Damen	D26/128
D679,850 S *	4/2013	Smith	D26/118

D679,851 S *	4/2013	Smith	D26/118
D679,852 S *	4/2013	Smith	D26/118
D696,450 S *	12/2013	Coury	D26/118
D703,365 S *	4/2014	Martin	D26/88
D730,562 S *	5/2015	Blackman	D26/88
2013/0070949 A1*	3/2013	Fukuma	H04R 1/40 381/336
2013/0100649 A1*	4/2013	Holder	A41G 1/00 362/122
2013/0265758 A1*	10/2013	Smith	F21V 5/00 362/235
2014/0268686 A1*	9/2014	Coury	F21V 1/12 362/121
2016/0116133 A1*	4/2016	Wahl	F21S 8/04 362/319

* cited by examiner

Primary Examiner — Clare E Heflin

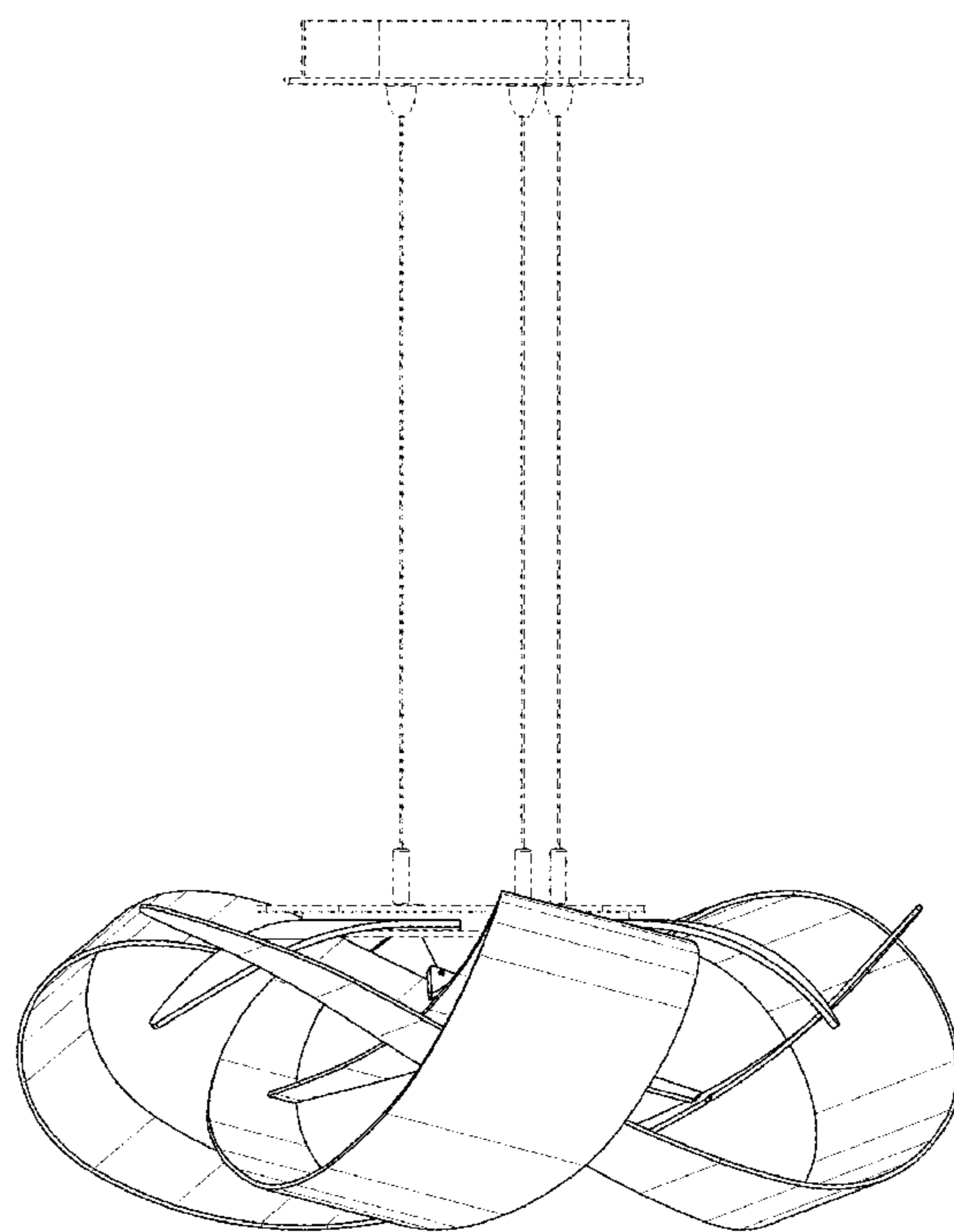
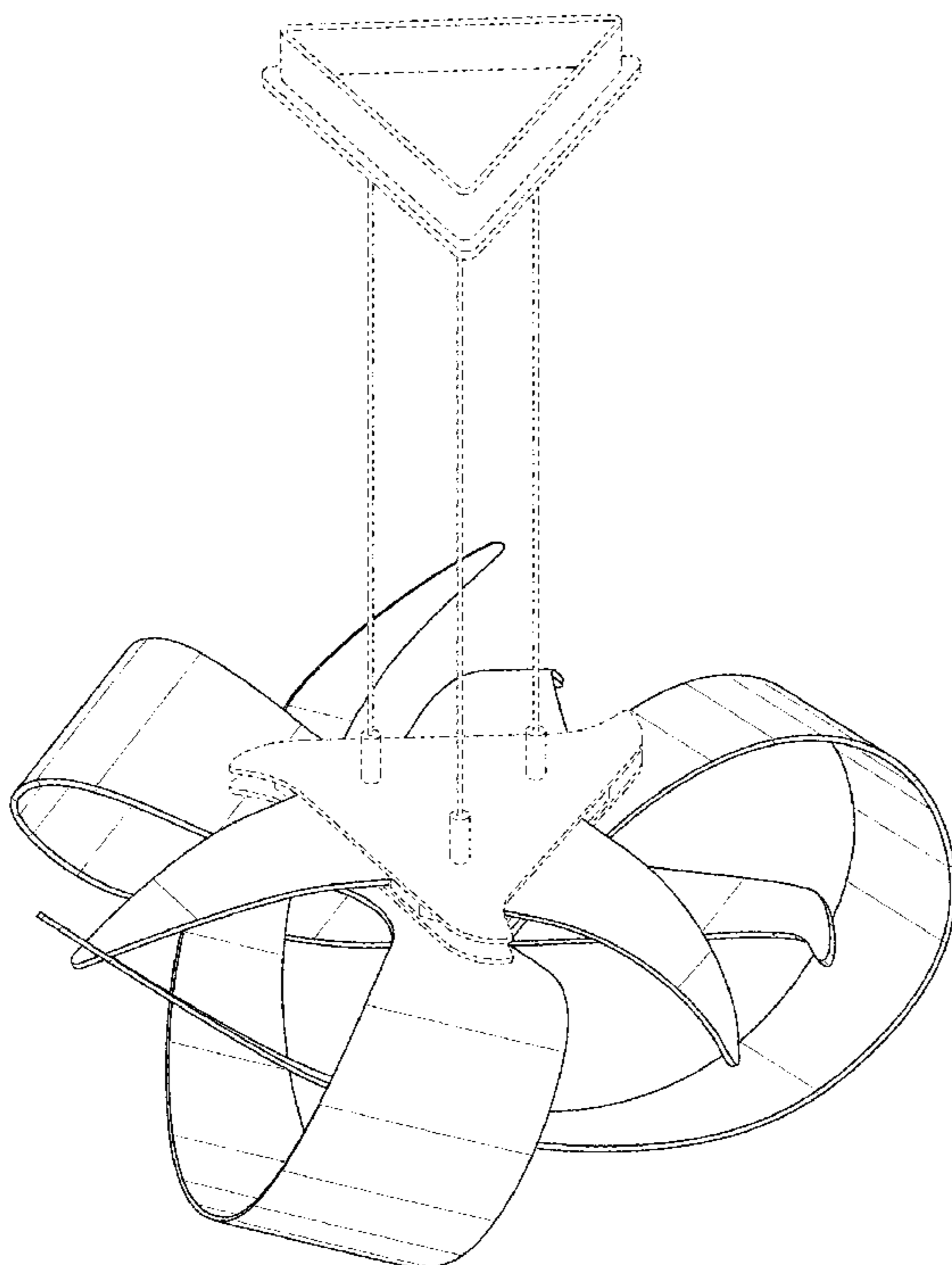
(57) **CLAIM**

The ornamental design for a lamp, as shown and described.

DESCRIPTION

FIG. 1 is a perspective view of the lamp according to the present invention;
FIG. 2 is a front view of the lamp thereof;
FIG. 3 is a back view of the lamp thereof;
FIG. 4 is a left view of the lamp thereof;
FIG. 5 is a right view of the lamp thereof;
FIG. 6 is a top view of the lamp thereof; and,
FIG. 7 is a bottom view of the lamp thereof.
The dashed lines in the drawings illustrate portions of the lamp which form no part of the claimed design.

1 Claim, 7 Drawing Sheets



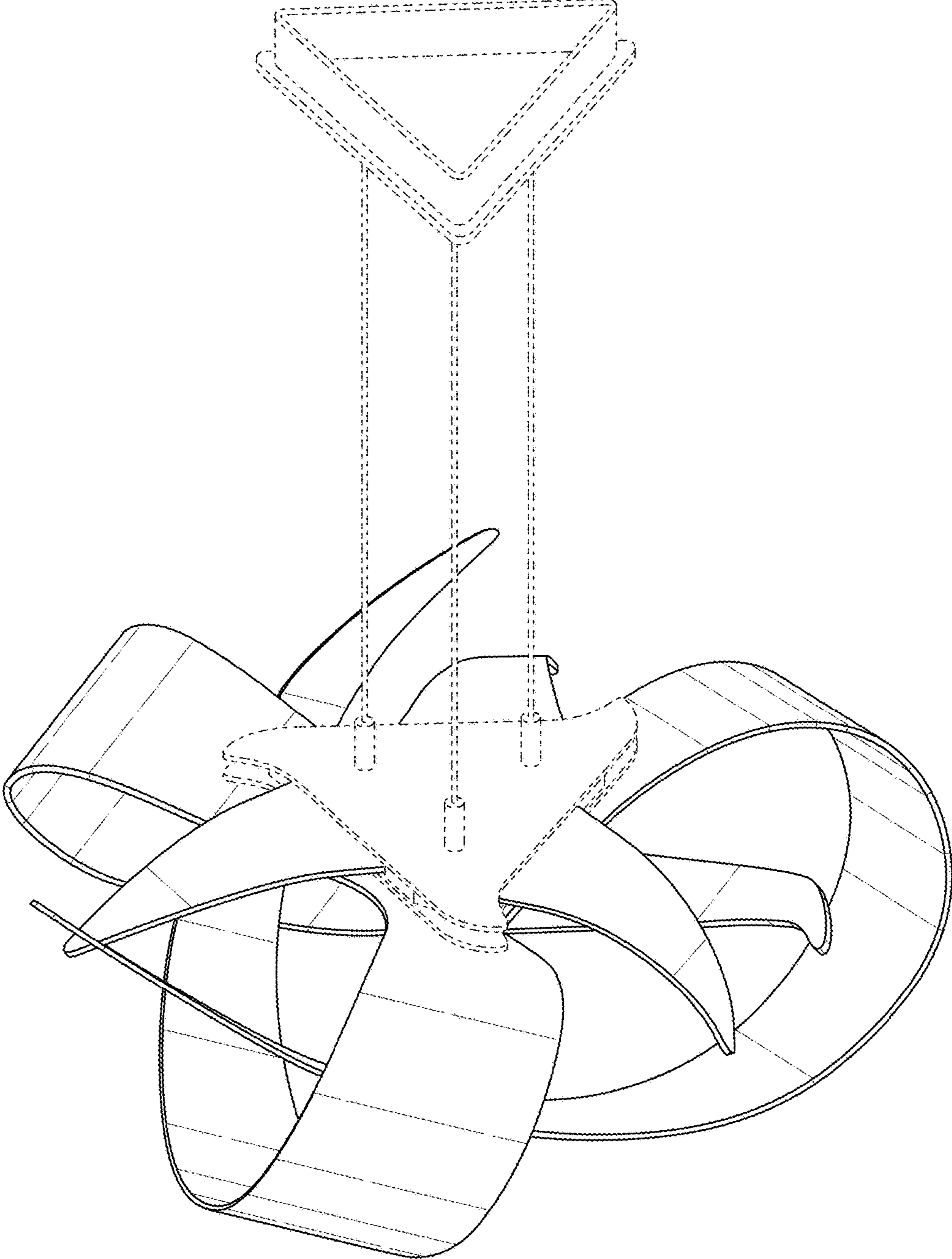


FIG. 1

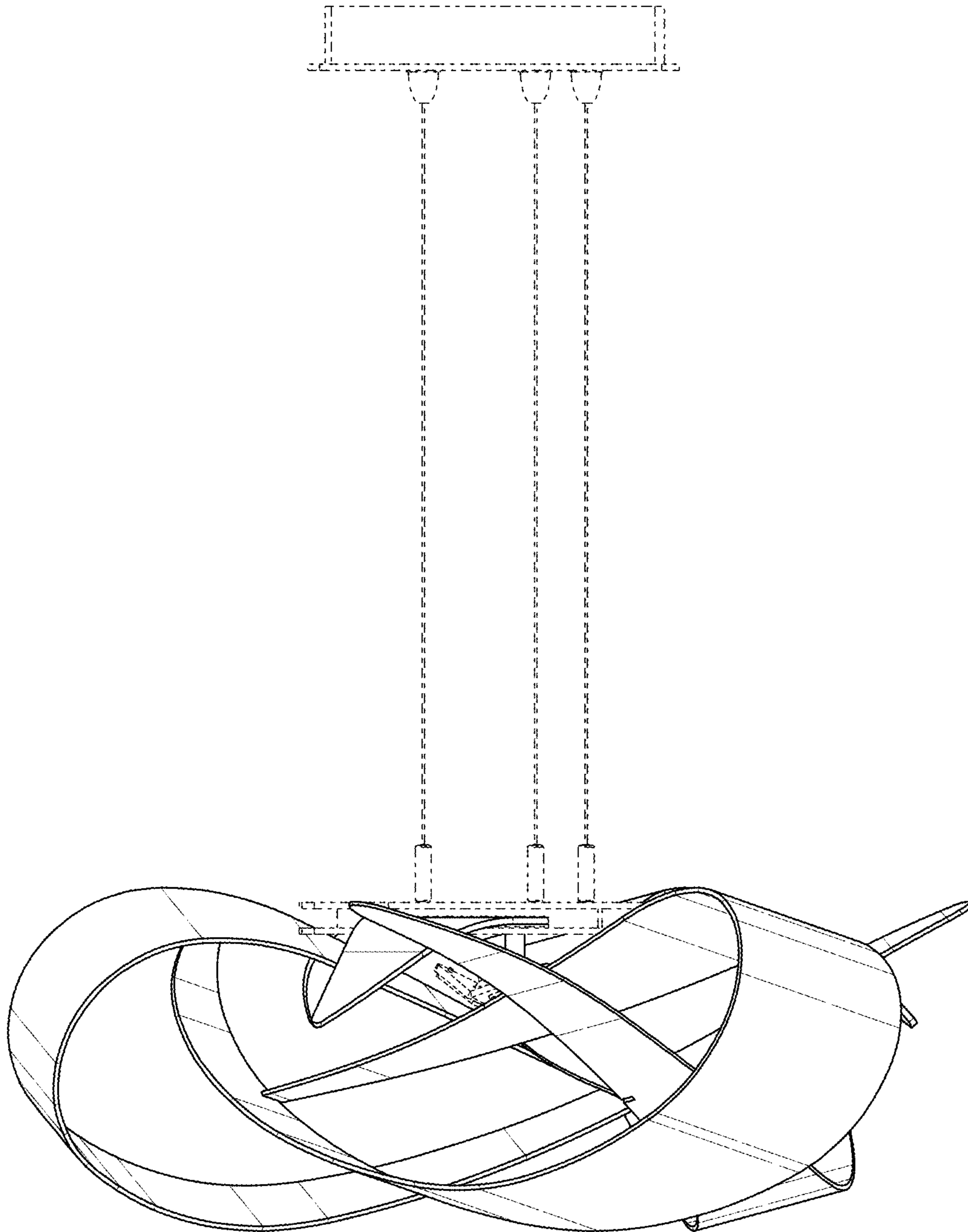


FIG. 2

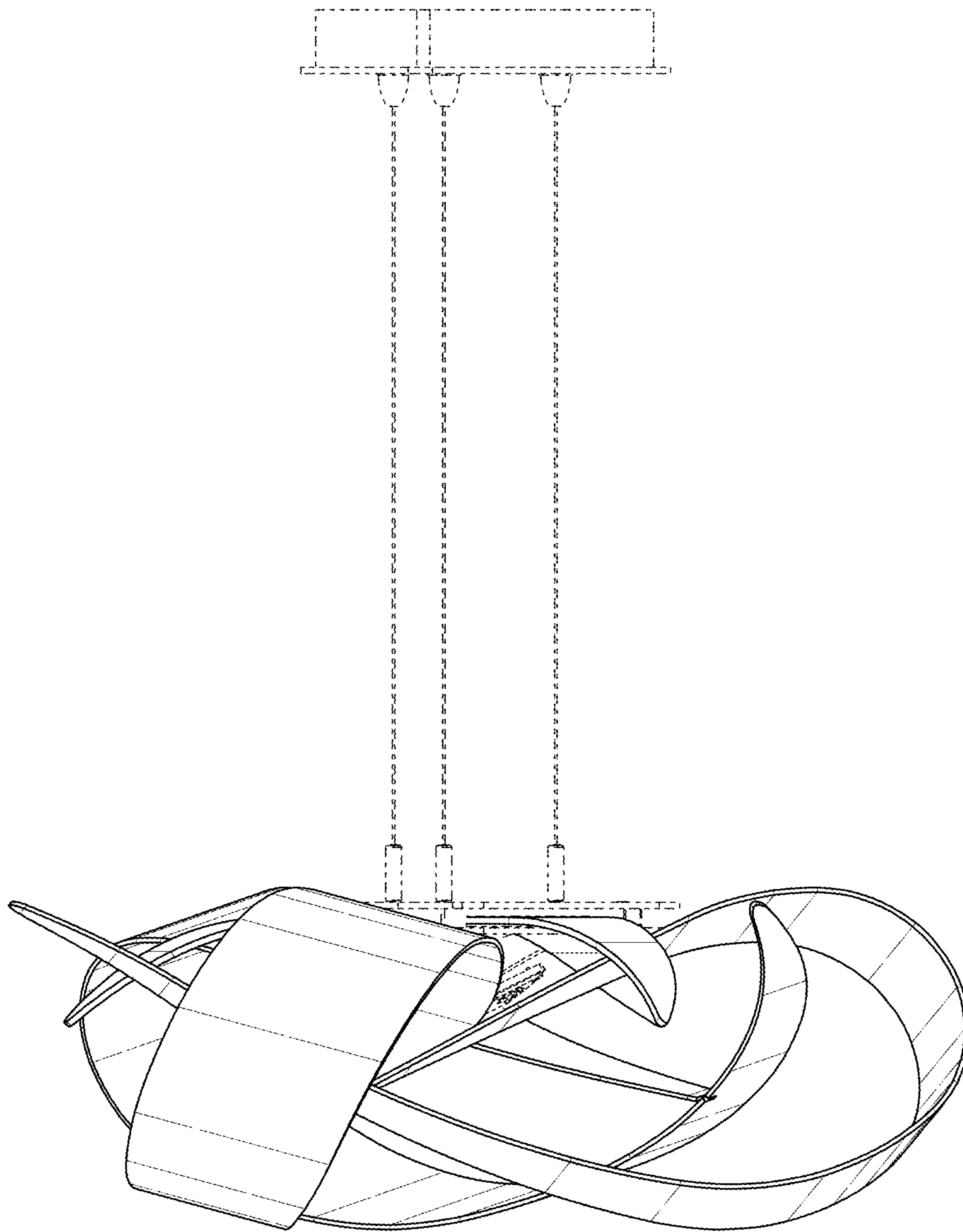


FIG. 3

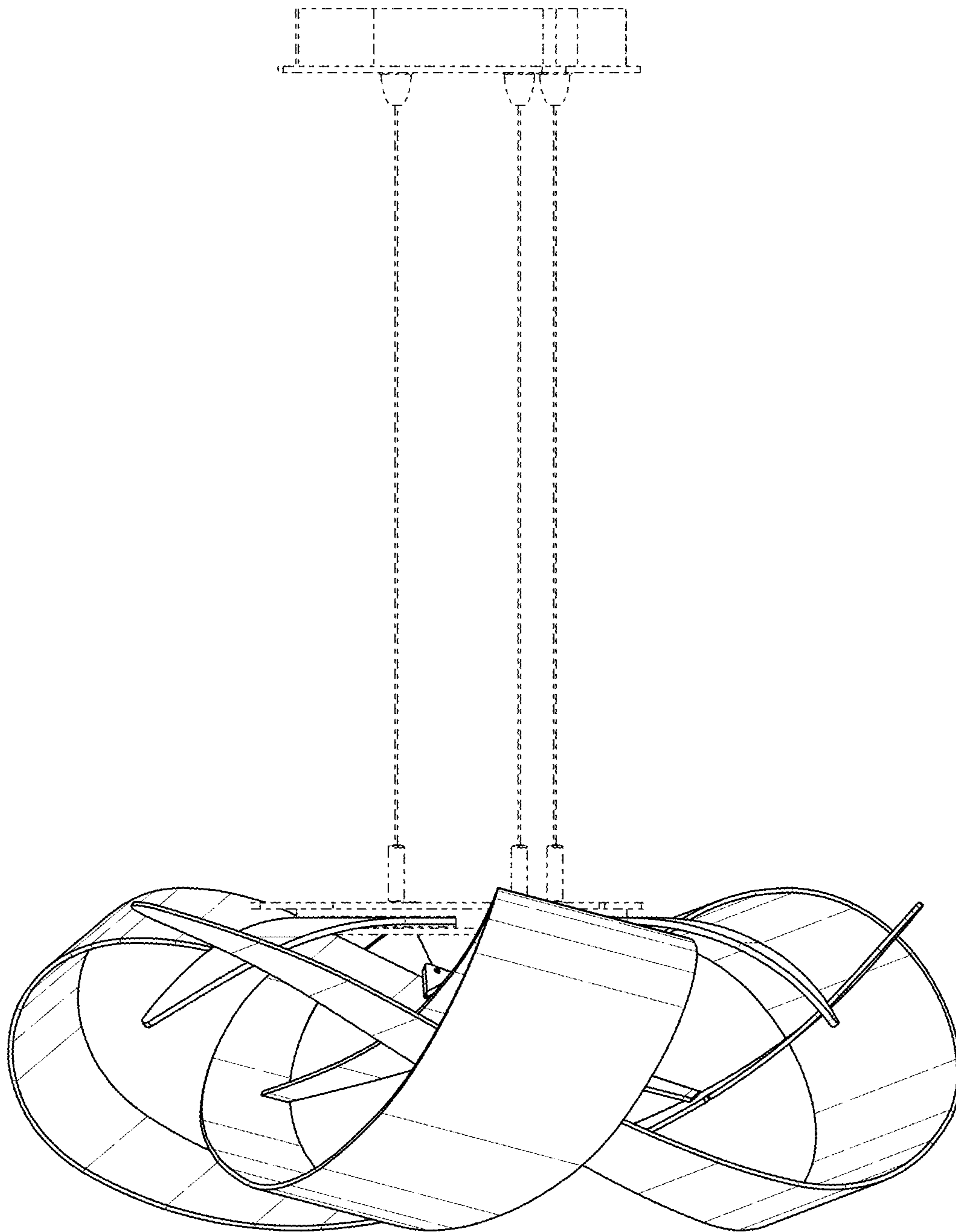


FIG. 4

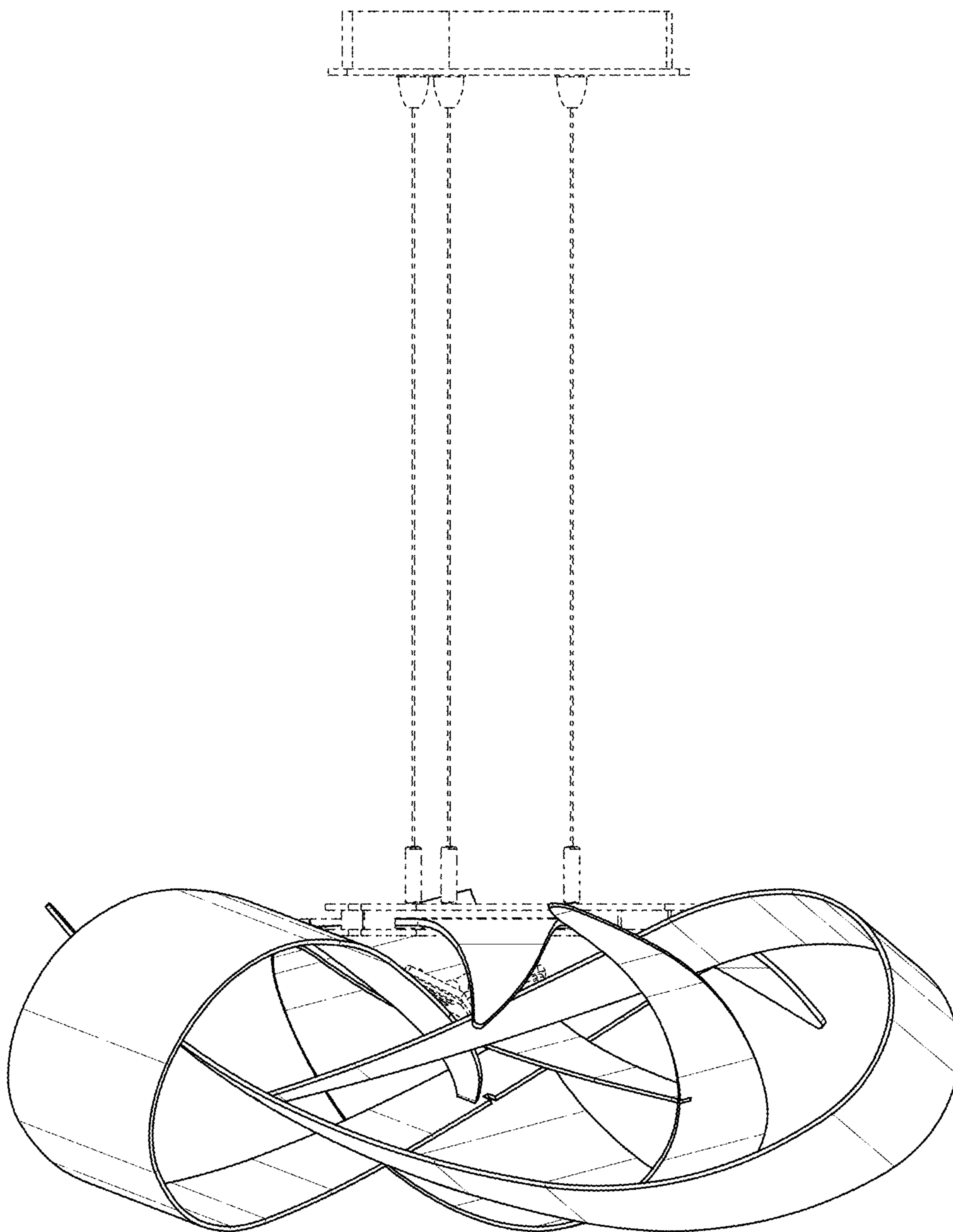


FIG. 5

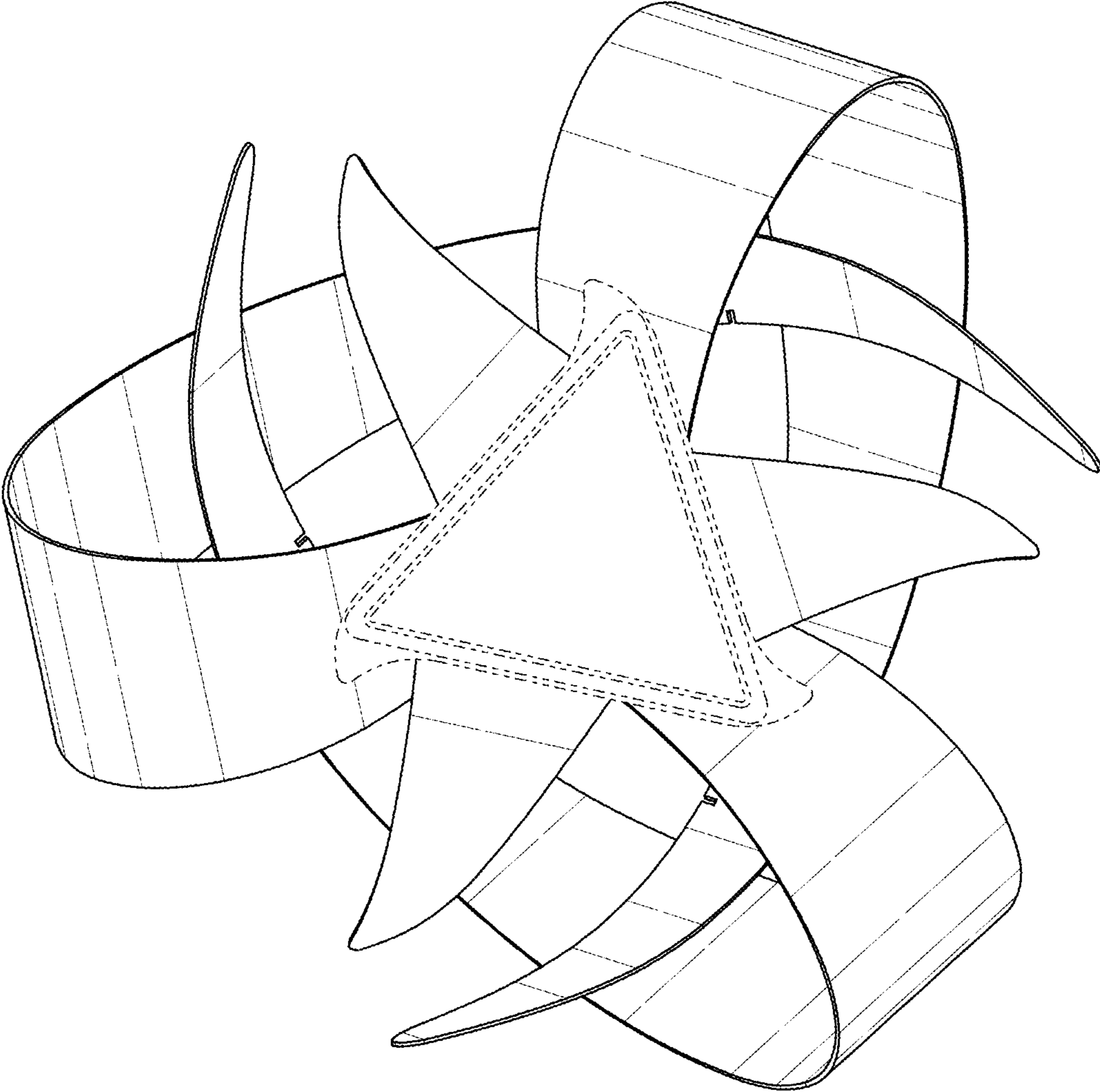


FIG. 6

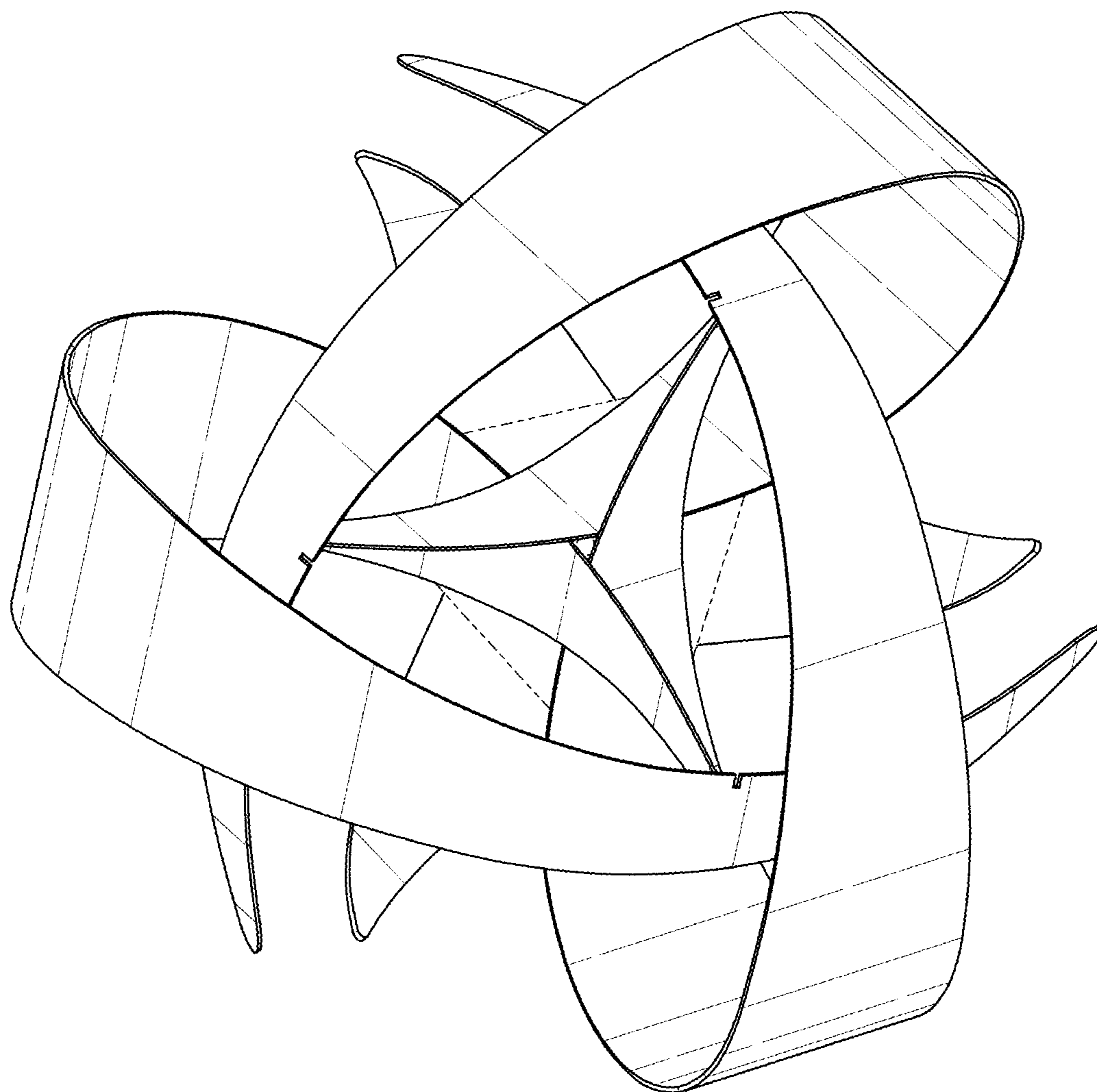


FIG. 7