



US00D782722S

(12) **United States Design Patent**  
**Kitts**

(10) **Patent No.:** **US D782,722 S**

(45) **Date of Patent:** **\*\* Mar. 28, 2017**

- (54) **LAMP**
- (71) Applicant: **Hubbardton Forge LLC**, Castleton, VT (US)
- (72) Inventor: **David Kitts**, Rutland, VT (US)
- (73) Assignee: **Hubbardton Forge, LLC.**, Castleton, VT (US)
- (\*\*) Term: **15 Years**
- (21) Appl. No.: **29/533,567**
- (22) Filed: **Jul. 20, 2015**
- (51) **LOC (10) Cl.** ..... **26-05**
- (52) **U.S. Cl.**  
USPC ..... **D26/86; D26/90**
- (58) **Field of Classification Search**  
USPC ..... D26/76, 80, 82, 83, 84, 85, 88, 90, 91,  
D26/118, 120, 128, 130, 131, 135, 154  
CPC .... F21S 8/04; F21S 8/043; F21S 8/046; F21S  
8/06; F21S 8/061; F21S 8/063; F21S  
8/065; F21S 8/068; F21V 1/26; F21V  
7/005; F21V 11/116; F21V 3/023  
See application file for complete search history.

8,231,258 B2 \* 7/2012 Kim ..... F21S 8/04  
362/23.1  
D669,205 S \* 10/2012 Sonneman ..... D26/83  
D674,954 S \* 1/2013 Sonneman ..... D26/88  
D674,955 S \* 1/2013 Sonneman ..... D26/88  
2005/0180131 A1 \* 8/2005 Grimmeisen ..... F21S 8/06  
362/221

**OTHER PUBLICATIONS**

Pendant design shown on bottom right of page from Contemporary and Modern Design Large Pendant search results at ModernLightingUniverse.com on Jun. 16, 2009.(listed as p. 22 of 69 in original search results).\*

Pendant design shown on bottom right of page from Contemporary and Modern Design Large Pendant search results at ModernLightingUniverse.com on Jun. 16, 2009.(listed as p. 28 of 69 in original search results).\*

\* cited by examiner

*Primary Examiner* — Clare E Heflin

(57) **CLAIM**

The ornamental design for a lamp, as shown and described.

**DESCRIPTION**

FIG. 1 is a perspective view of the lamp according to the present invention;

FIG. 2 is a front view of the lamp thereof;

FIG. 3 is a back view of the lamp thereof;

FIG. 4 is a right view of the lamp thereof;

FIG. 5 is a left view of the lamp thereof;

FIG. 6 is a top view of the lamp thereof; and,

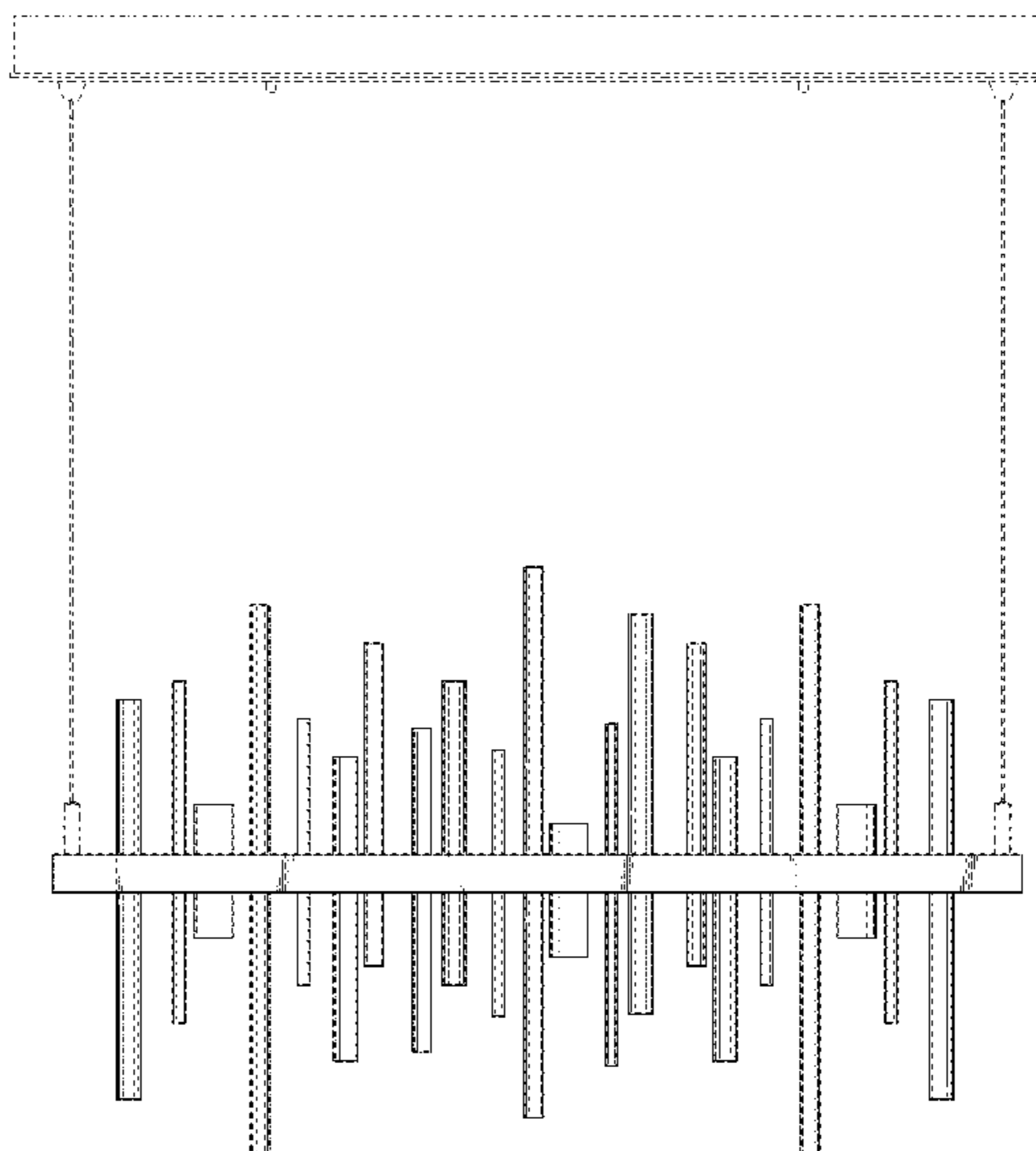
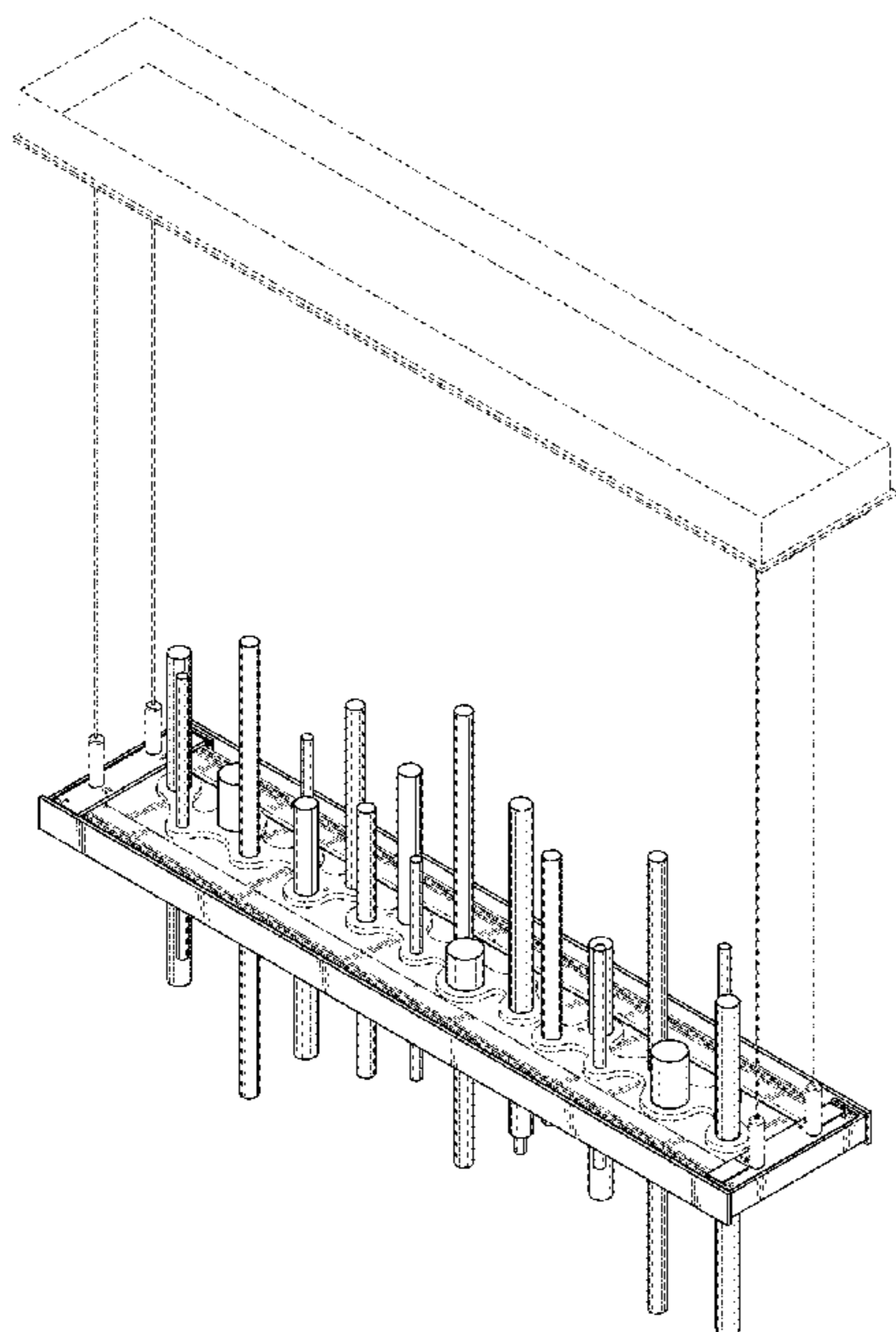
FIG. 7 is a bottom view of the lamp thereof.

The dashed lines in the drawings illustrate portions of the lamp which form no part of the claimed design.

**1 Claim, 5 Drawing Sheets**

(56) **References Cited**  
U.S. PATENT DOCUMENTS

|            |   |         |           |       |         |
|------------|---|---------|-----------|-------|---------|
| D228,146 S | * | 8/1973  | Schwartz  | ..... | D26/82  |
| D246,399 S | * | 11/1977 | Harris    | ..... | D26/84  |
| D468,474 S | * | 1/2003  | Poulton   | ..... | D26/90  |
| D537,187 S | * | 2/2007  | Lucatello | ..... | D26/84  |
| D619,291 S | * | 7/2010  | Thevenot  | ..... | D26/75  |
| D632,004 S | * | 2/2011  | Waldmann  | ..... | D26/76  |
| D634,887 S | * | 3/2011  | Kitts     | ..... | D26/143 |
| D660,497 S | * | 5/2012  | Chung     | ..... | D26/75  |



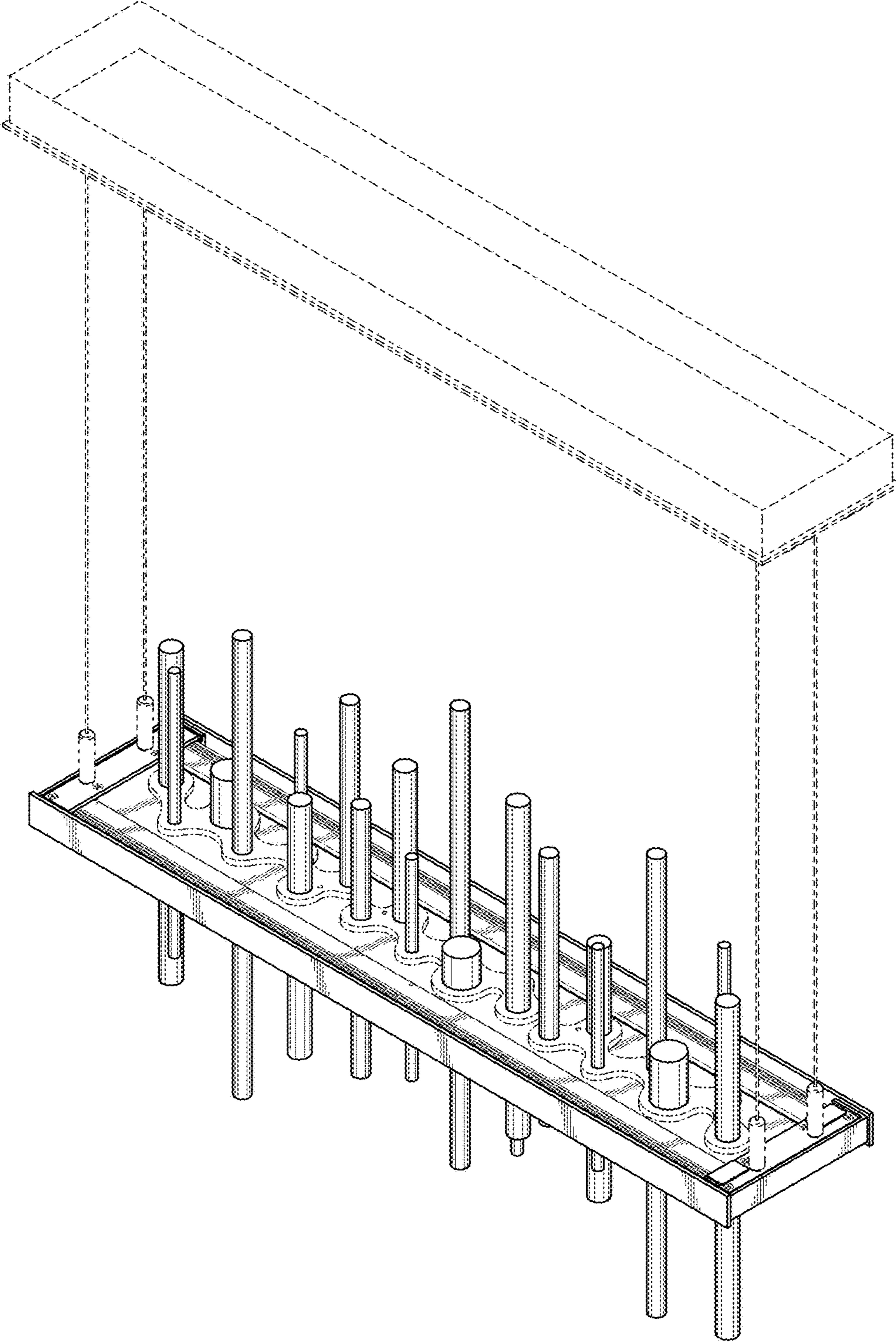


FIG. 1

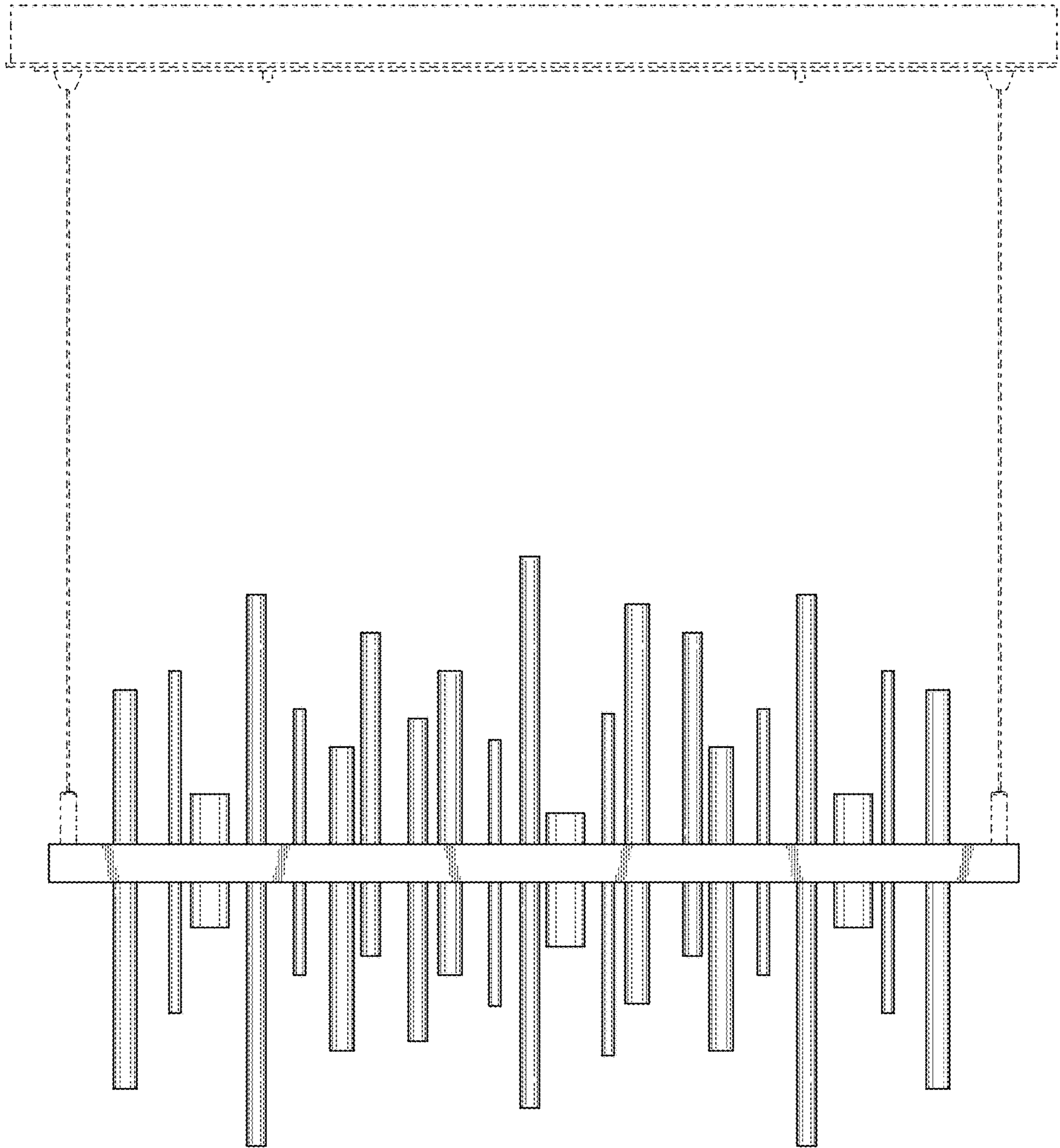


FIG. 2

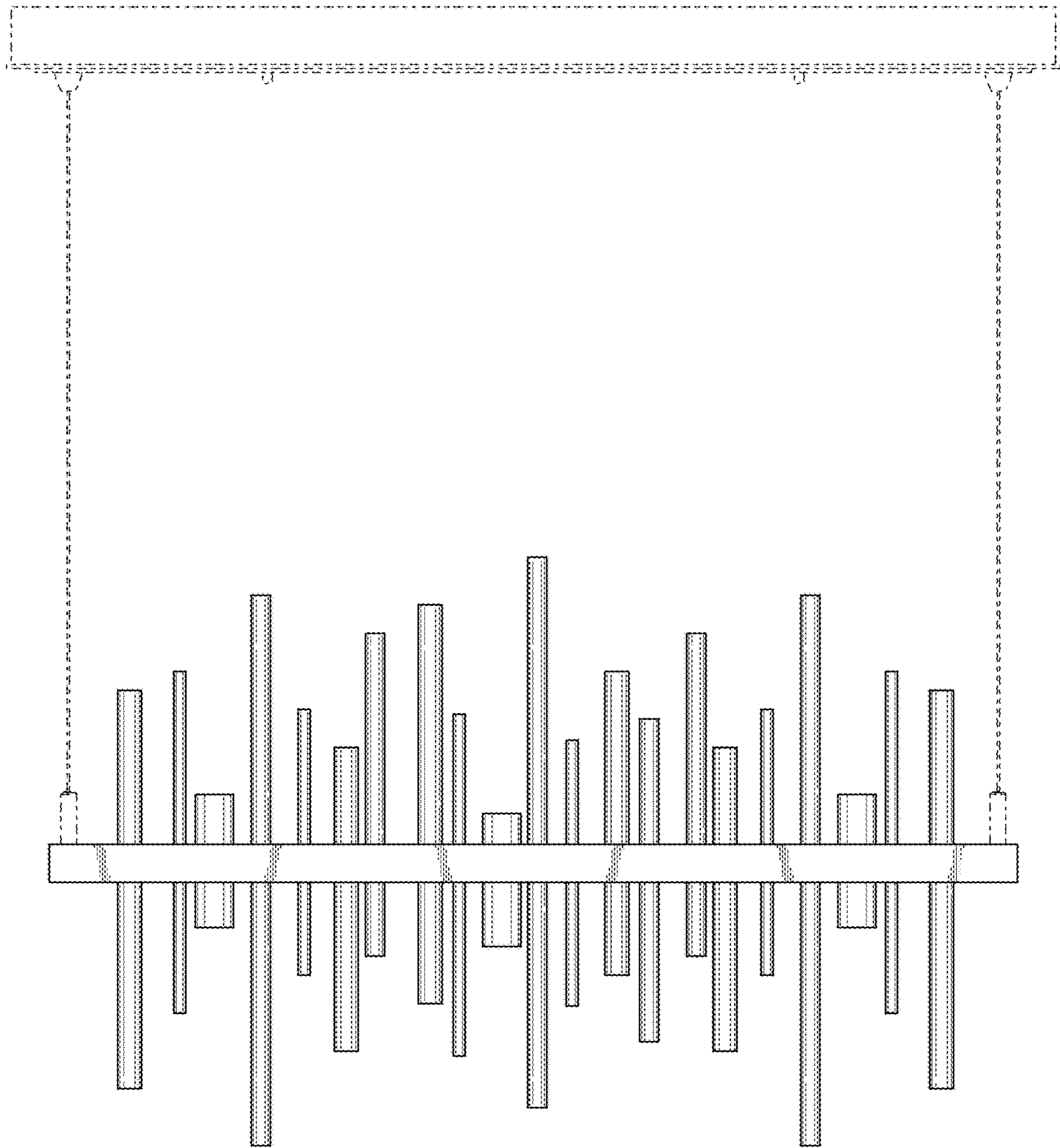


FIG. 3

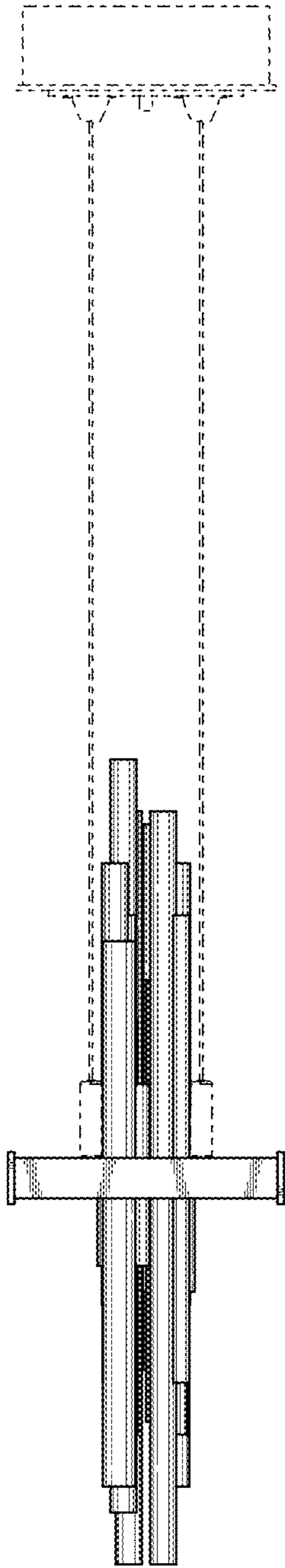


FIG. 4

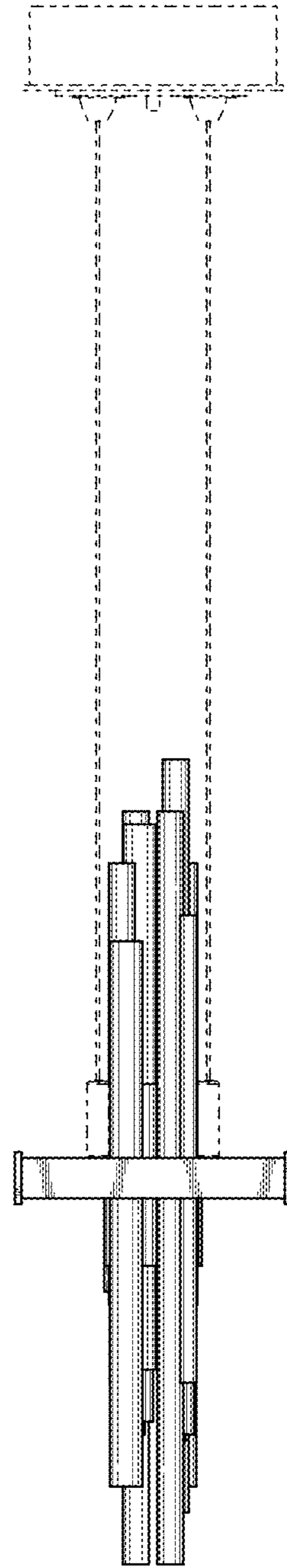


FIG. 5



FIG. 6

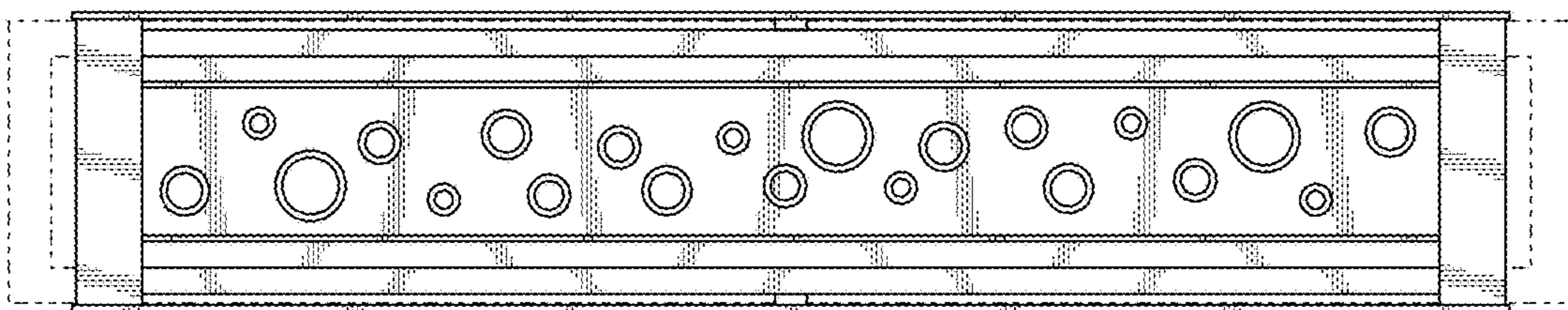


FIG. 7