



US00D782721S

(12) **United States Design Patent**
Cohen

(10) **Patent No.:** **US D782,721 S**

(45) **Date of Patent:** **** Mar. 28, 2017**

(54) **SOLAR-POWERED ILLUMINATION DEVICE**

(71) Applicant: **Samuel B. Cohen**, Denver, CO (US)

(72) Inventor: **Samuel B. Cohen**, Denver, CO (US)

(**) Term: **15 Years**

(21) Appl. No.: **29/534,239**

(22) Filed: **Jul. 27, 2015**

Related U.S. Application Data

(63) Continuation of application No. 14/267,724, filed on May 1, 2014, now abandoned.

(51) **LOC (10) Cl.** **26-03**

(52) **U.S. Cl.**
USPC **D26/74**

(58) **Field of Classification Search**
USPC D26/74, 72, 75, 76, 77, 78, 85, 88, 89,
D26/118, 138, 141

CPC F21V 29/2262; F21V 7/06; F21V 21/044;
F21V 21/047; F21V 29/2212; F21V
29/2225; F21V 29/2256; F21V 29/225;
F21V 29/2268; F21S 8/02; F21S 8/026;
F21Y 2111/002

See application file for complete search history.

(56) **References Cited**

U.S. PATENT DOCUMENTS

5,217,296	A	6/1993	Tanner	
5,690,423	A *	11/1997	Hentz	F21S 8/02 248/302
5,716,442	A	2/1998	Fertig	
6,280,053	B1	8/2001	Chien	
6,497,502	B1	12/2002	Clift	
6,563,269	B2	5/2003	Robinett	
6,609,804	B2	8/2003	Nolan	
6,632,006	B1 *	10/2003	Rippel	F21S 8/02 362/147
6,685,334	B2	2/2004	Kenny	

D558,378	S *	12/2007	Rashidi	D26/74
D601,740	S *	10/2009	Seo	D26/74
D610,292	S *	2/2010	Yoshinobu	D26/74
D613,444	S *	4/2010	Rashidi	D26/74
7,731,383	B2	6/2010	Myer	
D632,822	S *	2/2011	Bitton	D26/74
D642,317	S *	7/2011	Rashidi	D26/74
8,040,102	B2	10/2011	Kao	

(Continued)

OTHER PUBLICATIONS

Joshua Zimmerman, DIY Solar USB Charger—Altoids, instructables, The World’s Biggest Show & Tell, Apr. 22, 2011, <http://www.instructables.com/id/Solar-Altoids-USB-Charger/>.

Primary Examiner — Brian N Vinson

(74) *Attorney, Agent, or Firm* — Reilly Intellectual Property Law Firm

(57) **CLAIM**

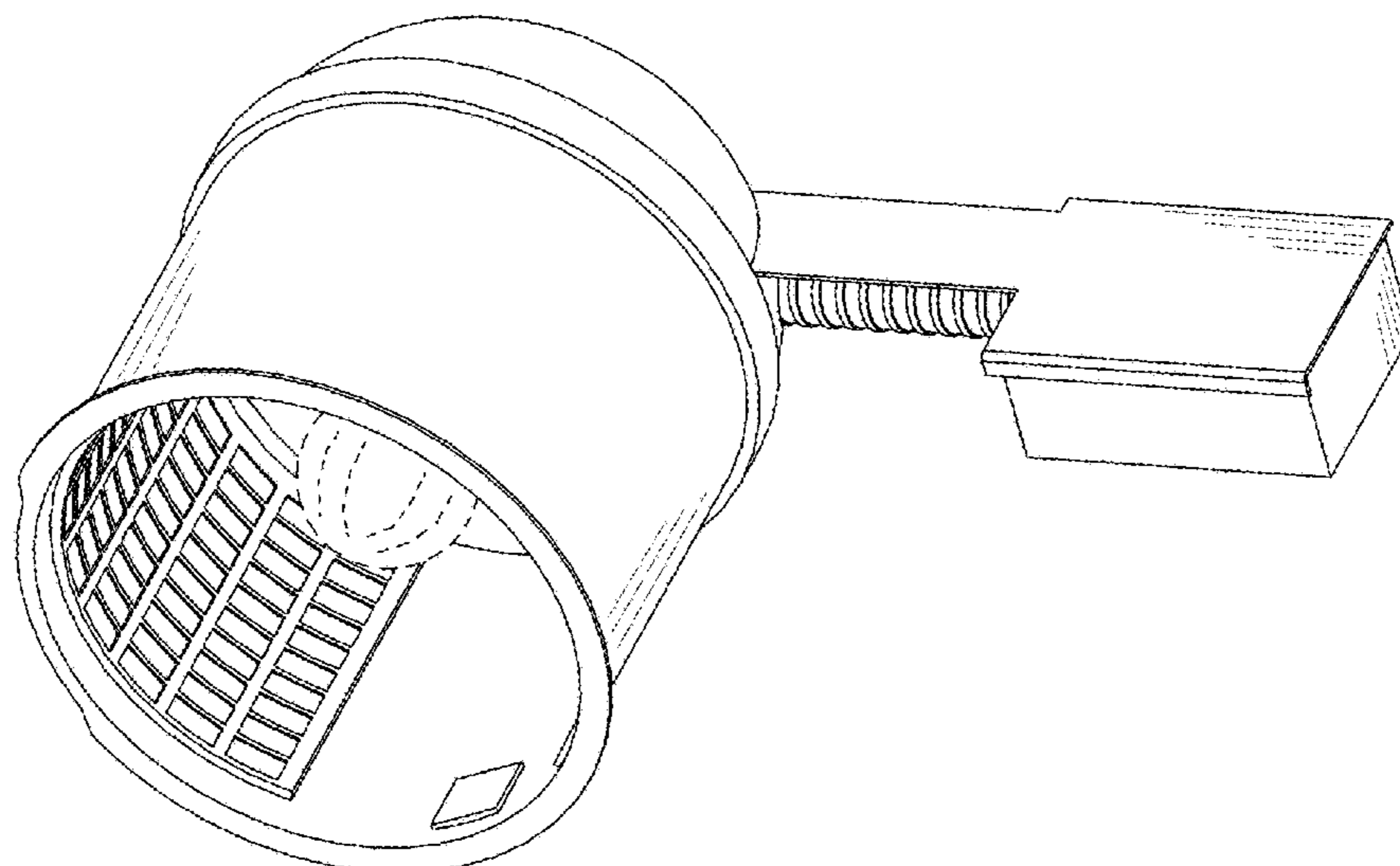
The ornamental designs for a solar-powered illumination device, as shown and described.

DESCRIPTION

FIG. 1 is a front perspective view of a solar-powered illumination device;
FIG. 2 is an alternate perspective view of FIG. 1;
FIG. 3 is an exploded view of FIG. 1;
FIG. 4 is a top view of FIG. 1;
FIG. 5 is a side view of FIG. 1;
FIG. 6 is a bottom view of FIG. 1;
FIG. 7 is an end view of FIG. 1; and,
FIG. 8 is an opposite end view of FIG. 7.

The broken lines used in FIGS. 1, 2, and 6 of the drawings disclosure are for illustrative purposes only and form no part of the claimed design.

1 Claim, 4 Drawing Sheets



(56)

References Cited

U.S. PATENT DOCUMENTS

8,044,539	B2	10/2011	Pan	
8,115,397	B2	2/2012	Jonsson	
D655,436	S *	3/2012	Johnson	D26/74
8,132,933	B2	3/2012	Chao	
8,348,453	B2	1/2013	Cumberland	
D739,590	S *	9/2015	Redfern	D26/74
2008/0137327	A1	6/2008	Hodulik	
2010/0039792	A1	2/2010	Meyers	
2010/0244568	A1	9/2010	Chandler	
2011/0133655	A1	6/2011	Recker	
2011/0228520	A1	9/2011	Cumberland	

* cited by examiner

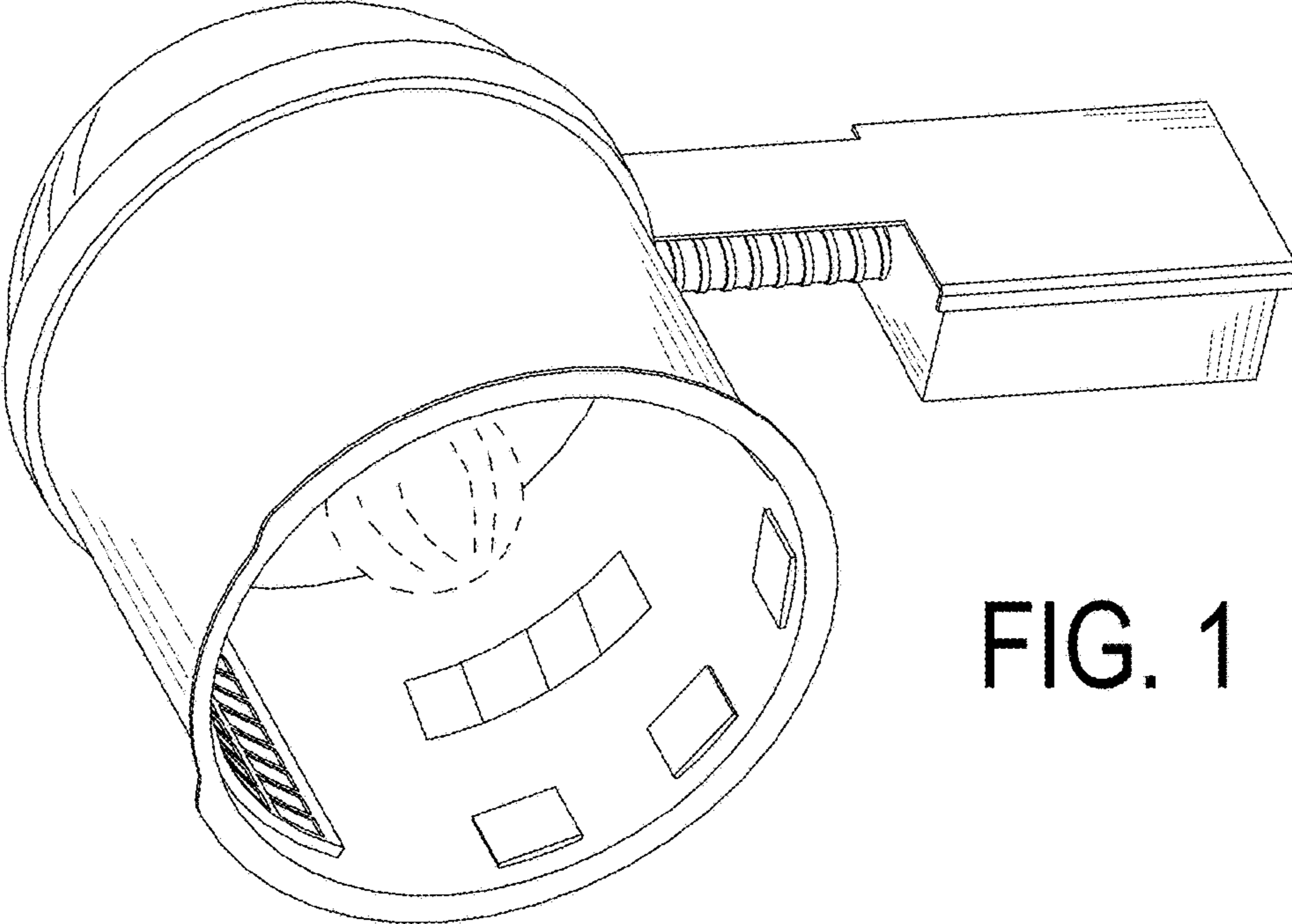


FIG. 1

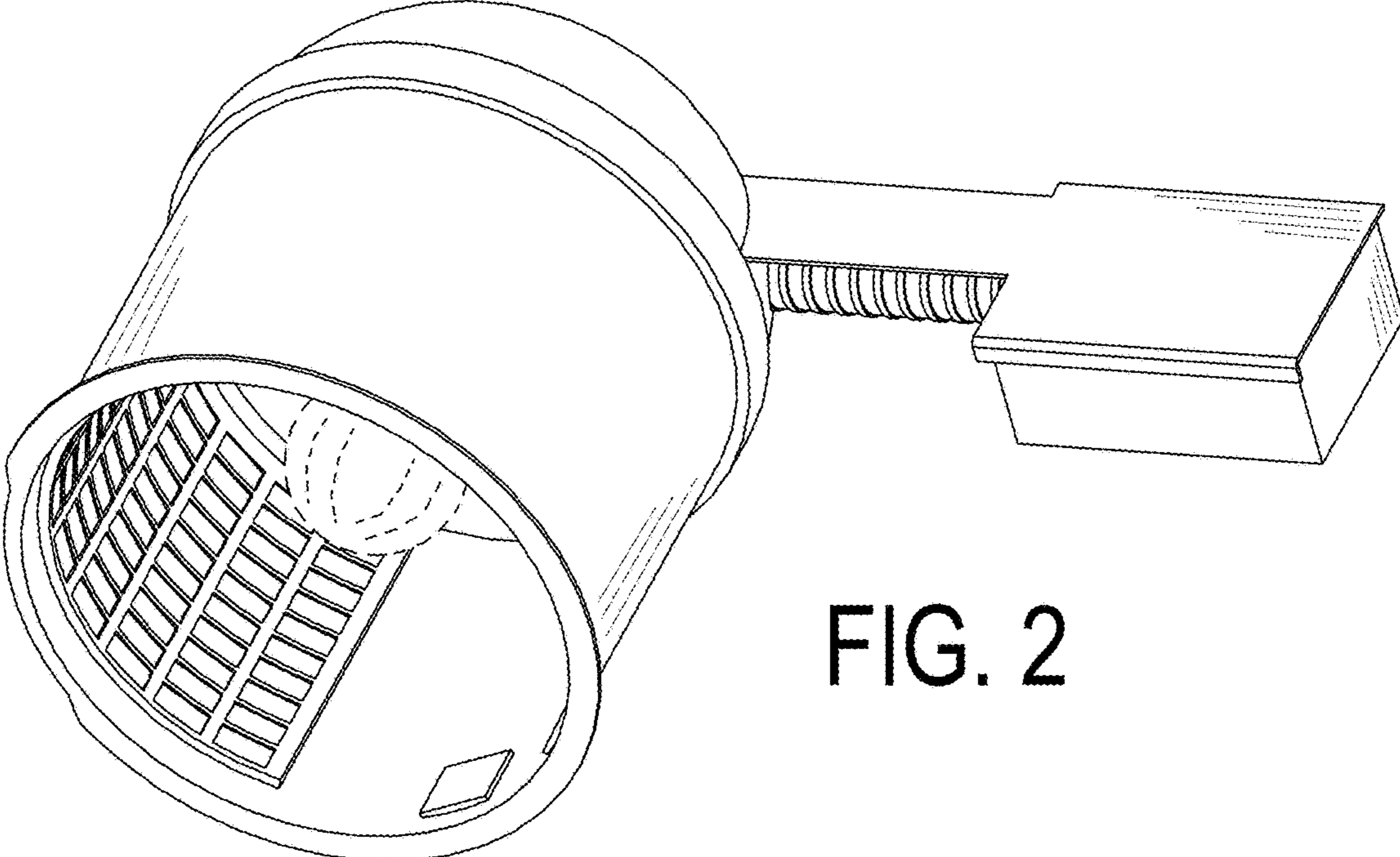
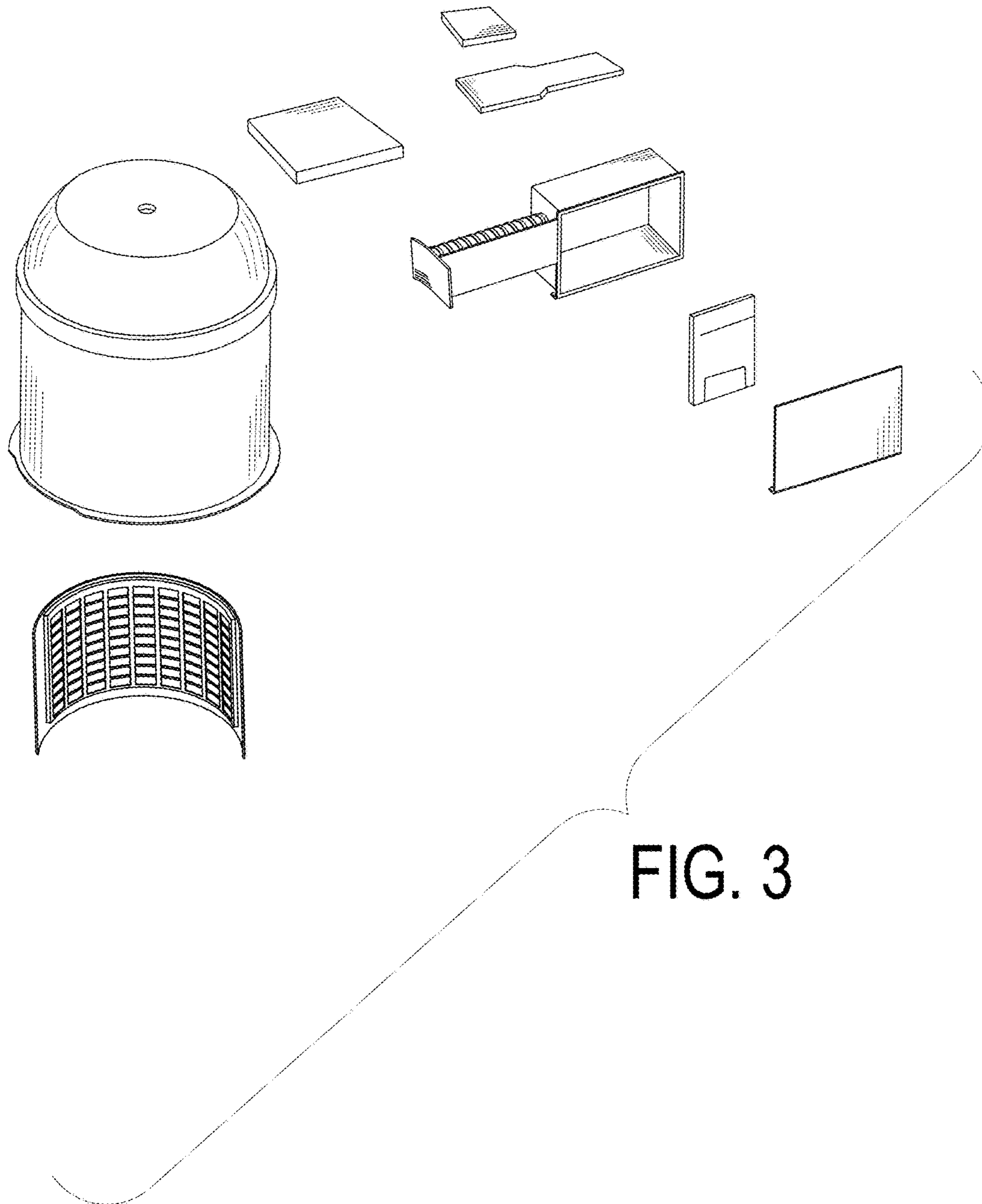


FIG. 2



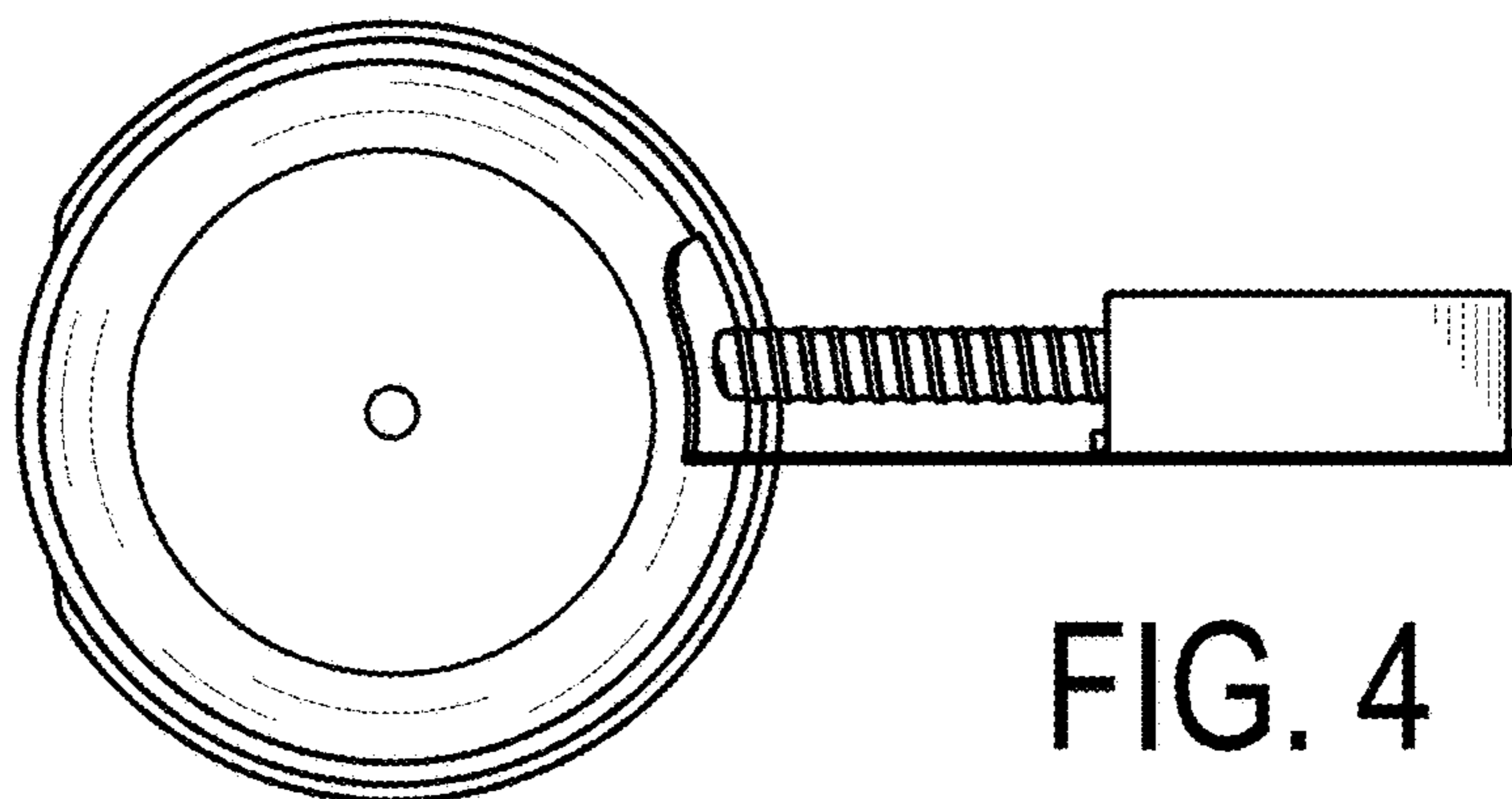


FIG. 4

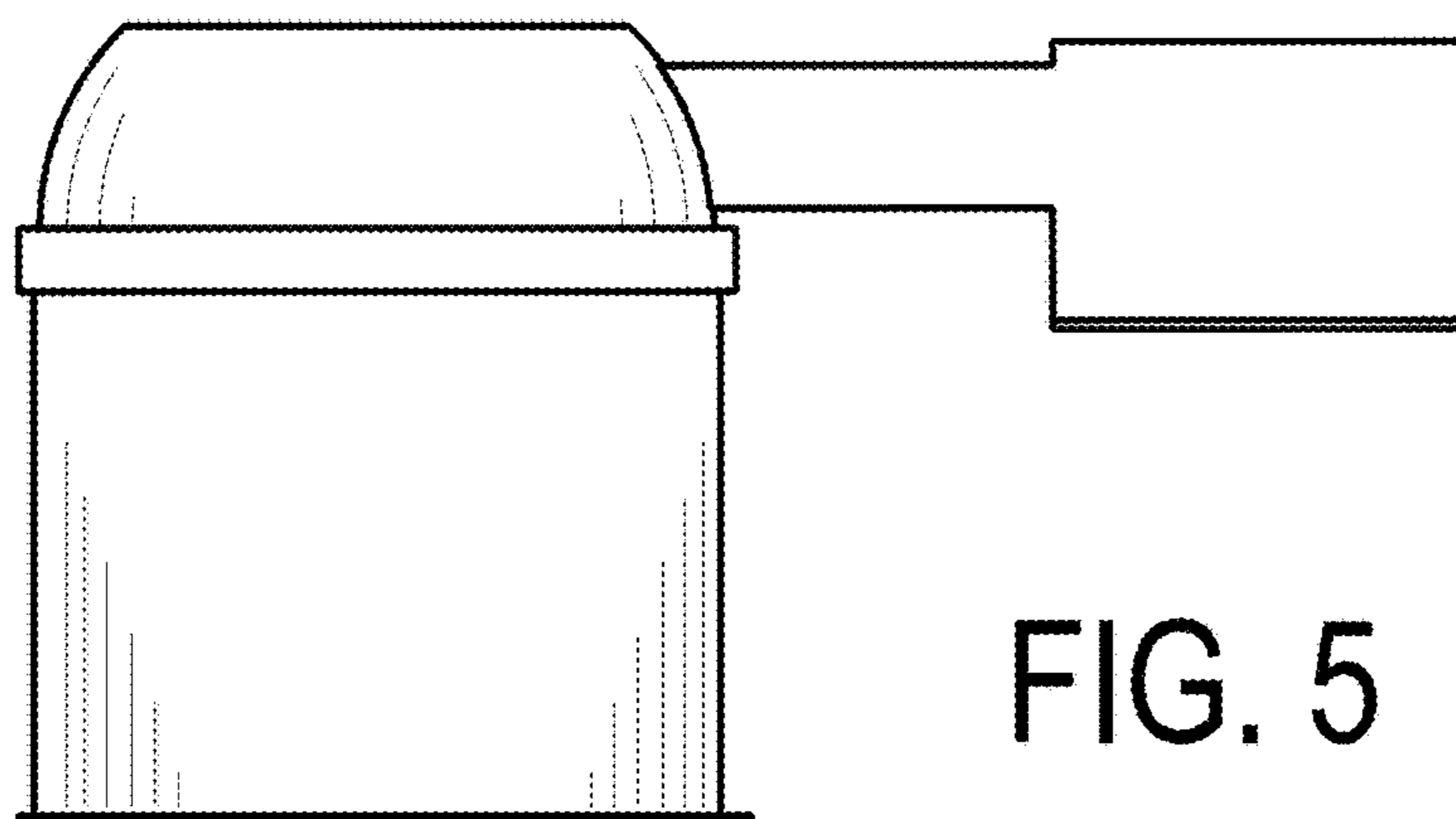


FIG. 5

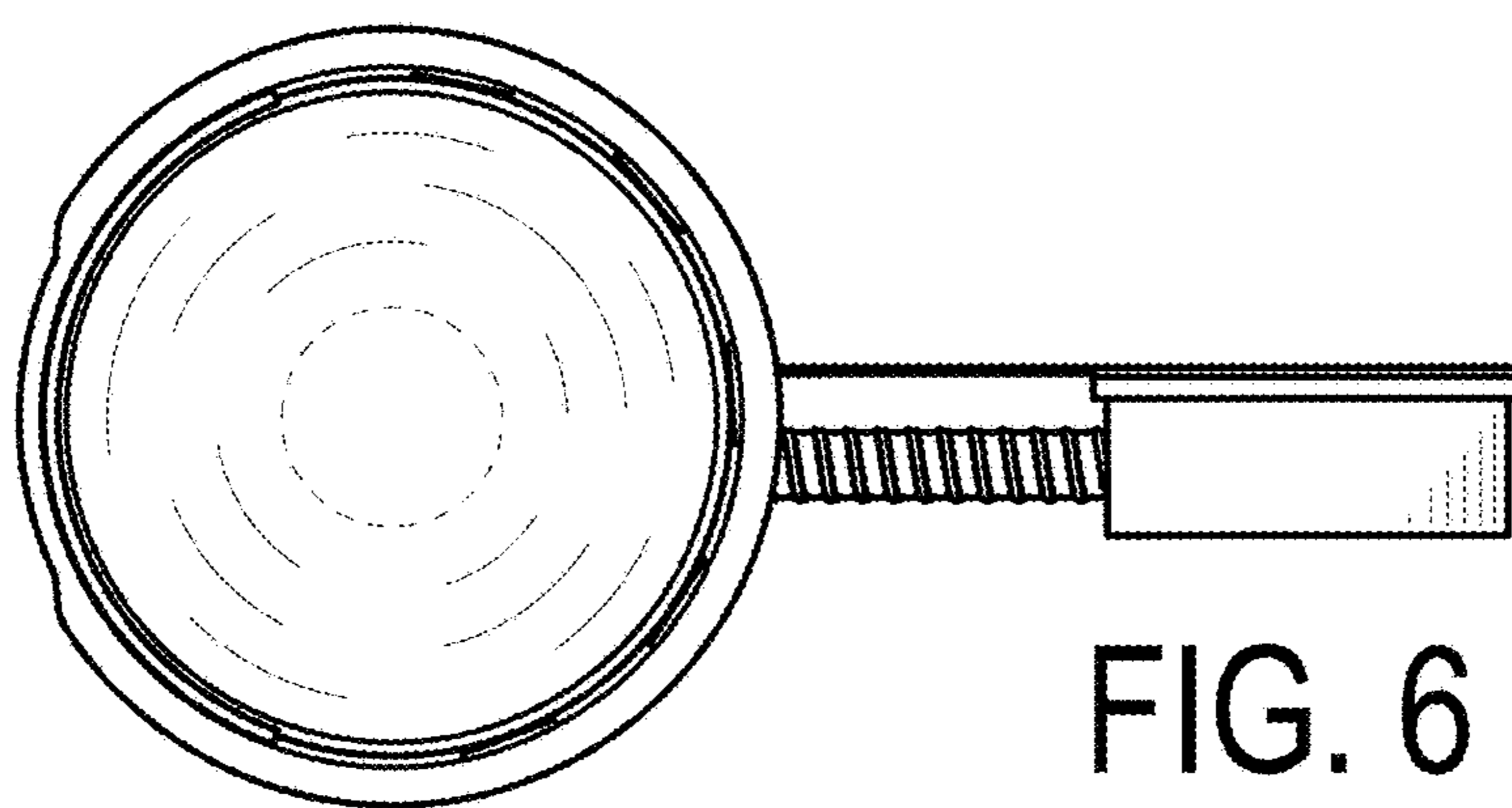


FIG. 6

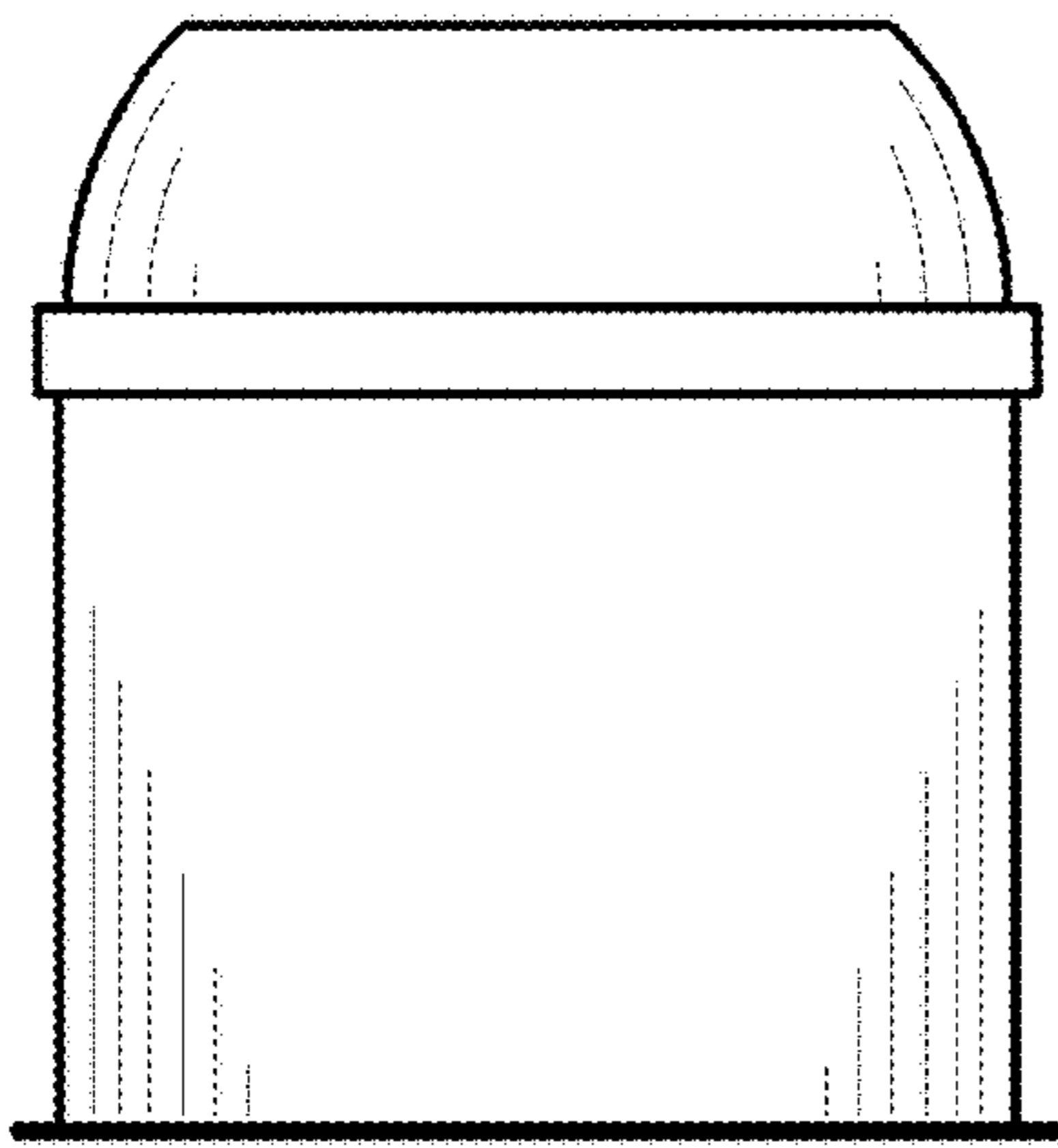


FIG. 7

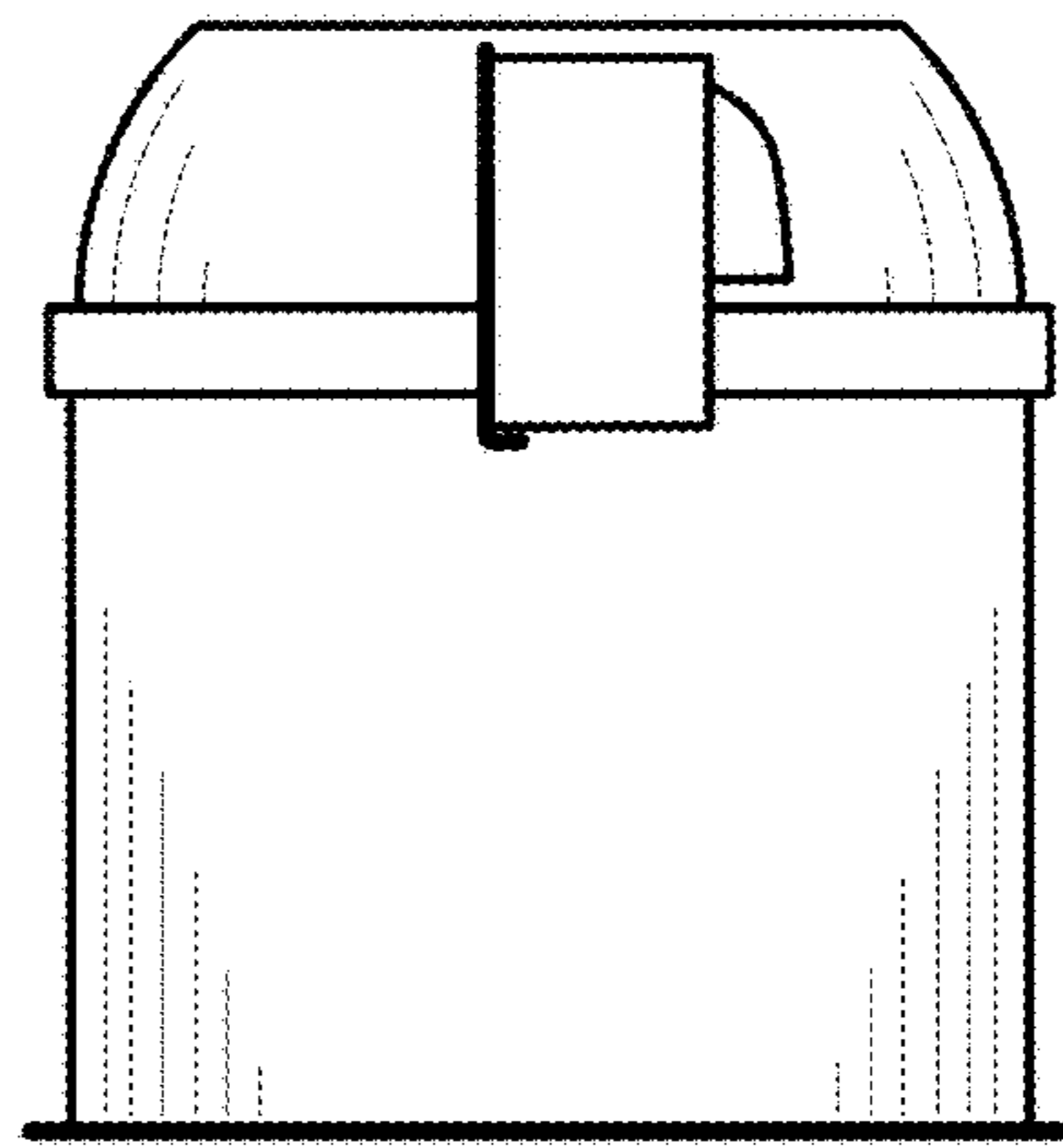


FIG. 8