



US00D782720S

(12) **United States Design Patent**
Moghal et al.

(10) **Patent No.:** **US D782,720 S**
(45) **Date of Patent:** **** Mar. 28, 2017**

(54) **OUTDOOR LIGHT FIXTURE**

(71) Applicants: **Khurram Zeshan Moghal**, Senoia, GA (US); **Christopher Michael Bryant**, Social Circle, GA (US)

(72) Inventors: **Khurram Zeshan Moghal**, Senoia, GA (US); **Christopher Michael Bryant**, Social Circle, GA (US)

(73) Assignee: **Cooper Technologies Company**, Houston, TX (US)

(**) Term: **15 Years**

(21) Appl. No.: **29/544,230**

(22) Filed: **Oct. 30, 2015**

(51) **LOC (10) Cl.** **26-03**

(52) **U.S. Cl.**
USPC **D26/72; D26/67**

(58) **Field of Classification Search**
USPC D26/67, 68, 71, 72, 92
CPC F21S 6/004; F21S 8/032; F21S 8/08; F21S 8/081; F21S 8/083; F21S 8/085; F21S 8/088; F21S 9/037; F21W 2131/10; F21W 2131/109

See application file for complete search history.

(56) **References Cited**

U.S. PATENT DOCUMENTS

D447,590 S * 9/2001 Raouf D26/71
D500,569 S * 1/2005 Butler D26/67

D550,388 S * 9/2007 Binsukor D26/67
D634,878 S * 3/2011 Guercio D26/71
D672,903 S * 12/2012 Toney, Jr. D26/92
D770,668 S * 11/2016 Toms D26/92

OTHER PUBLICATIONS

U.S. Appl. No. 14/929,123, filed Oct. 30, 2015, Khurram Zeshan Moghal.
Galleon, LED Area and Site Luminaire, McGraw-Edison, Cooper Lighting brochure; Mar. 2014.

* cited by examiner

Primary Examiner — Brian N Vinson

(74) *Attorney, Agent, or Firm* — King & Spalding LLP

(57) **CLAIM**

The ornamental design for an outdoor light fixture, as shown and described.

DESCRIPTION

FIG. 1 is a top perspective view of an outdoor light fixture, showing the new design;
FIG. 2 is a bottom perspective view thereof;
FIG. 3 is a top plan view thereof;
FIG. 4 is a bottom plan view thereof;
FIG. 5 is a left-side elevation view thereof;
FIG. 6 is a right-side elevation view thereof;
FIG. 7 is a front elevation view thereof; and,
FIG. 8 is a rear elevation view thereof.

The broken lines shown represent portions of the outdoor light fixture which form no part of the claimed design.

1 Claim, 6 Drawing Sheets

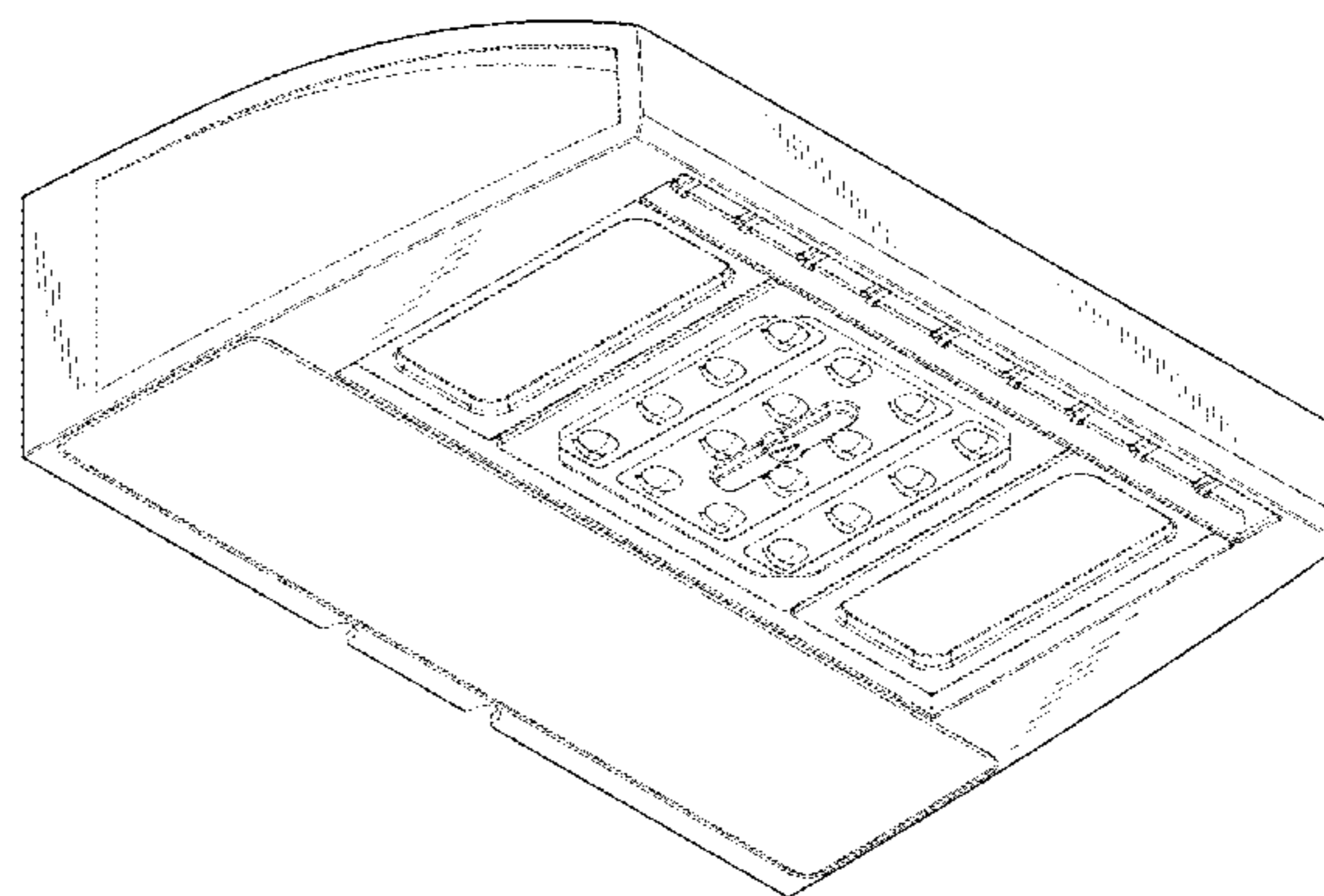
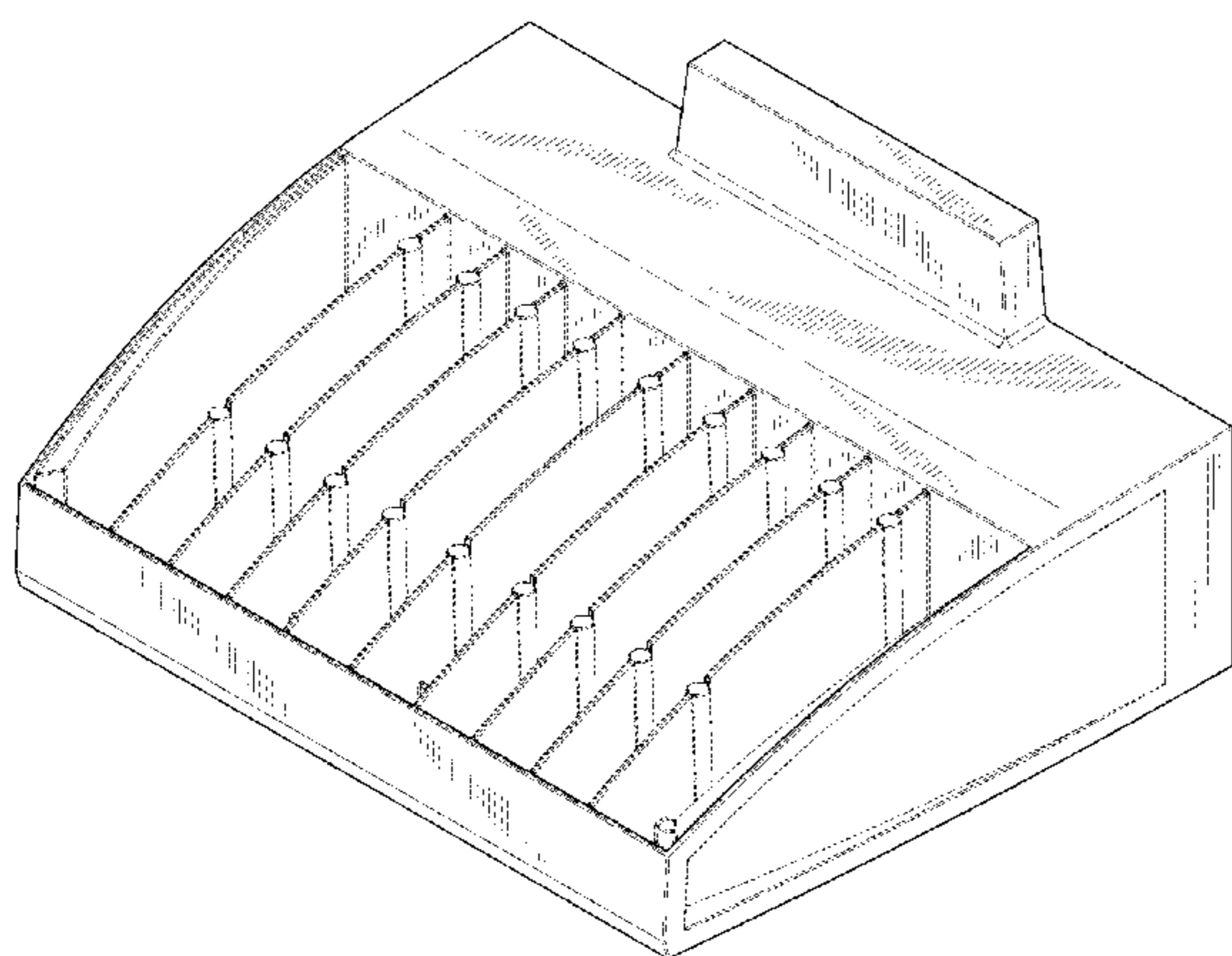


FIG. 1

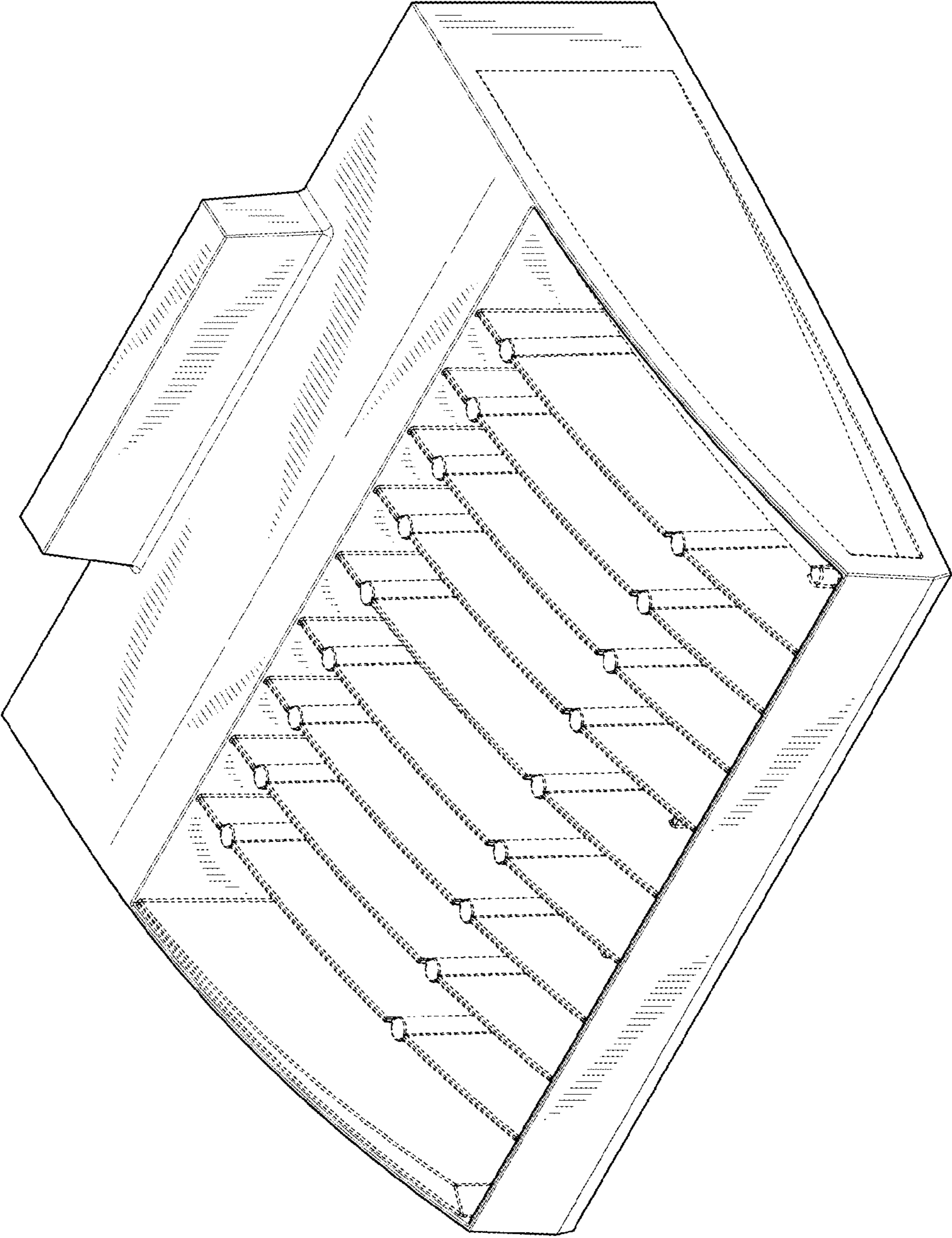


FIG. 2

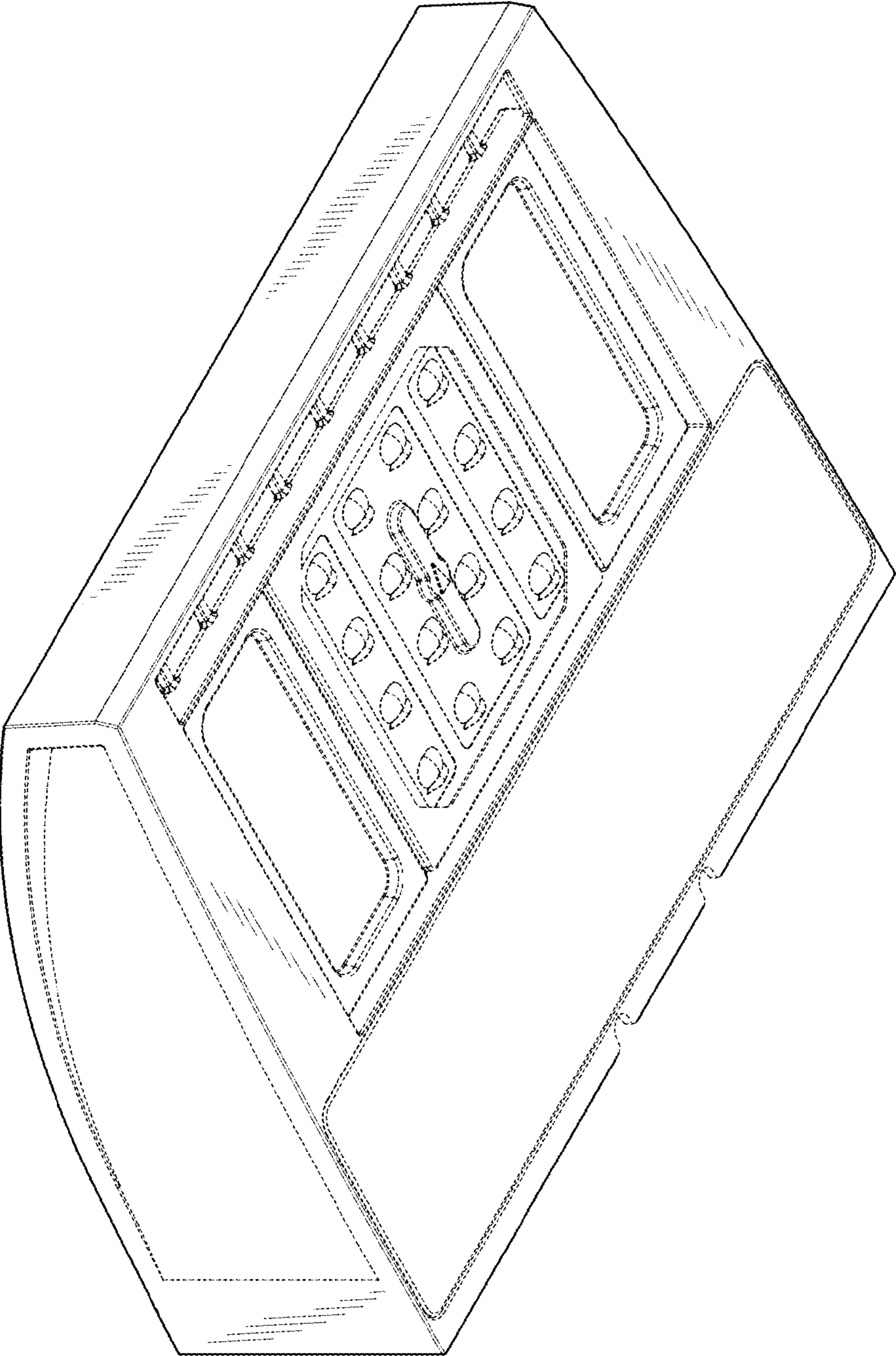


FIG. 3

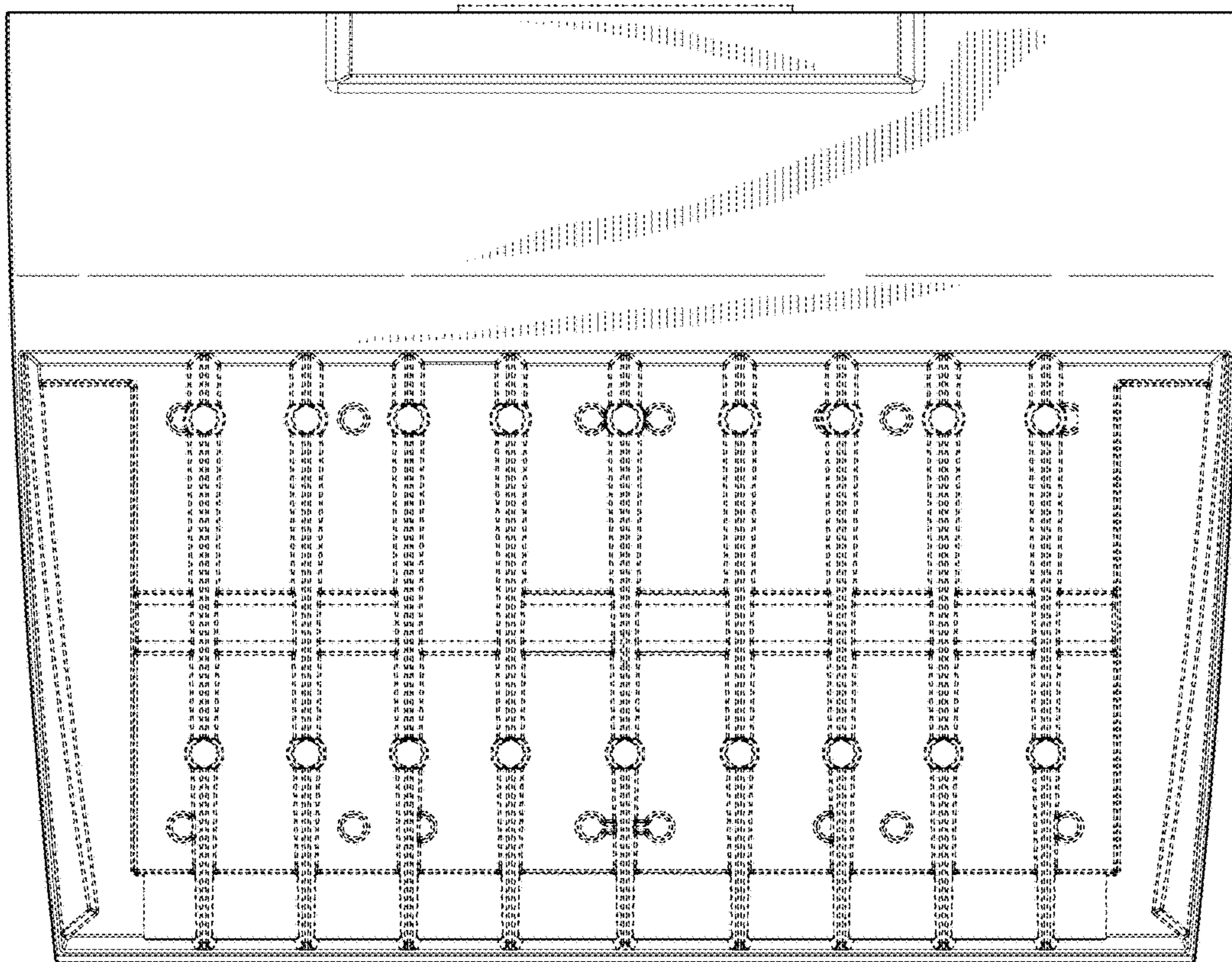


FIG. 4

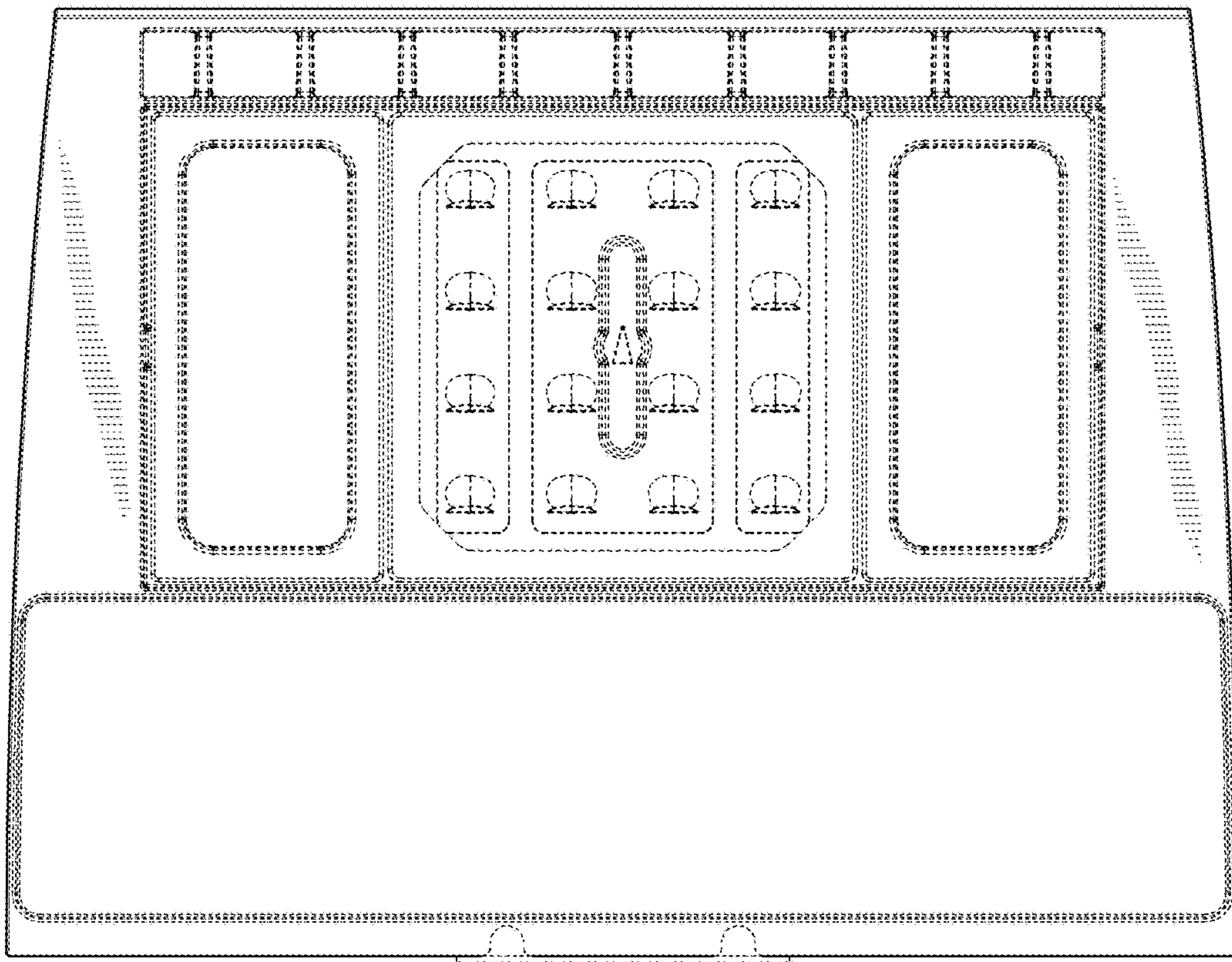


FIG. 5

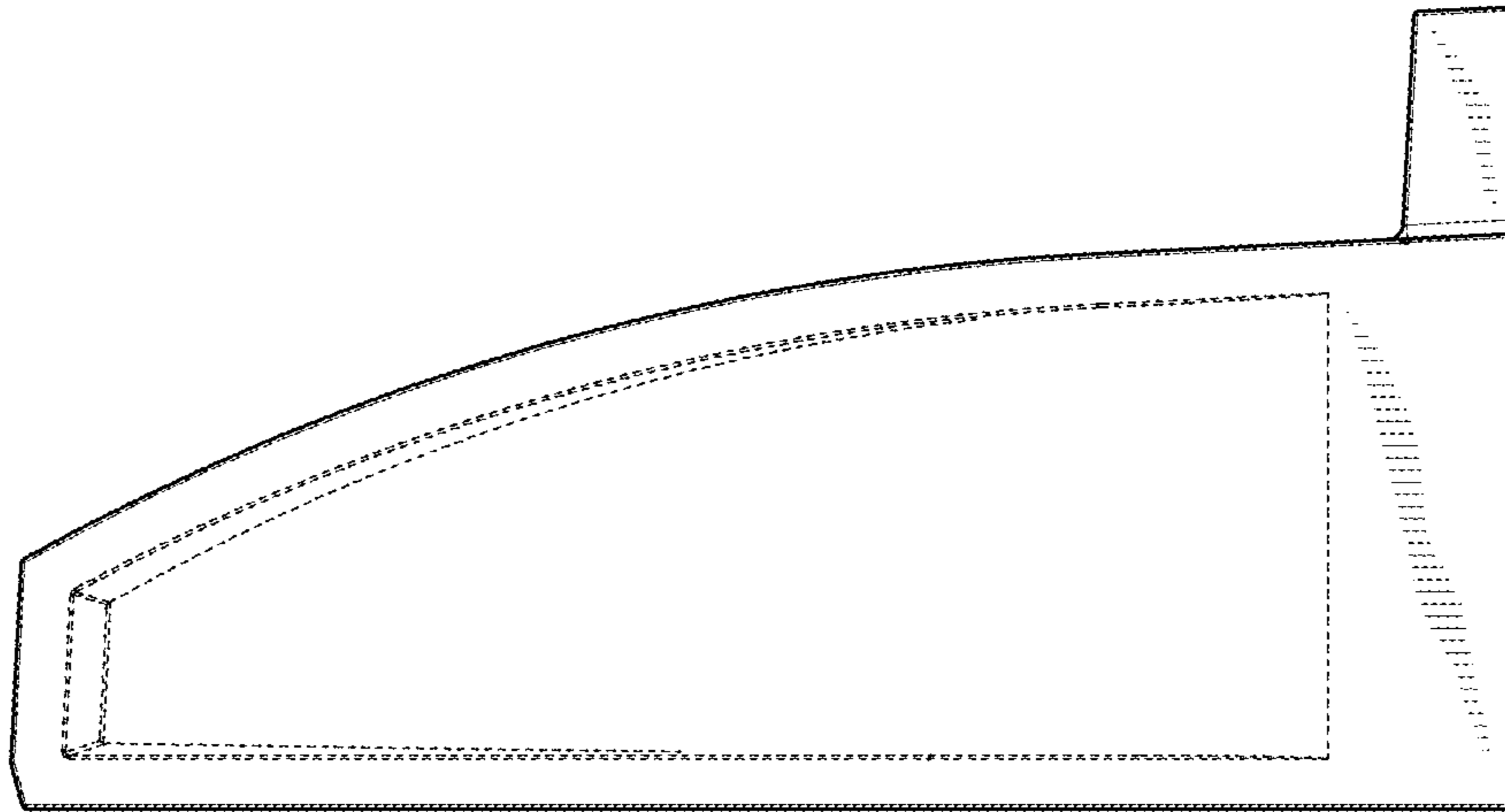


FIG. 6

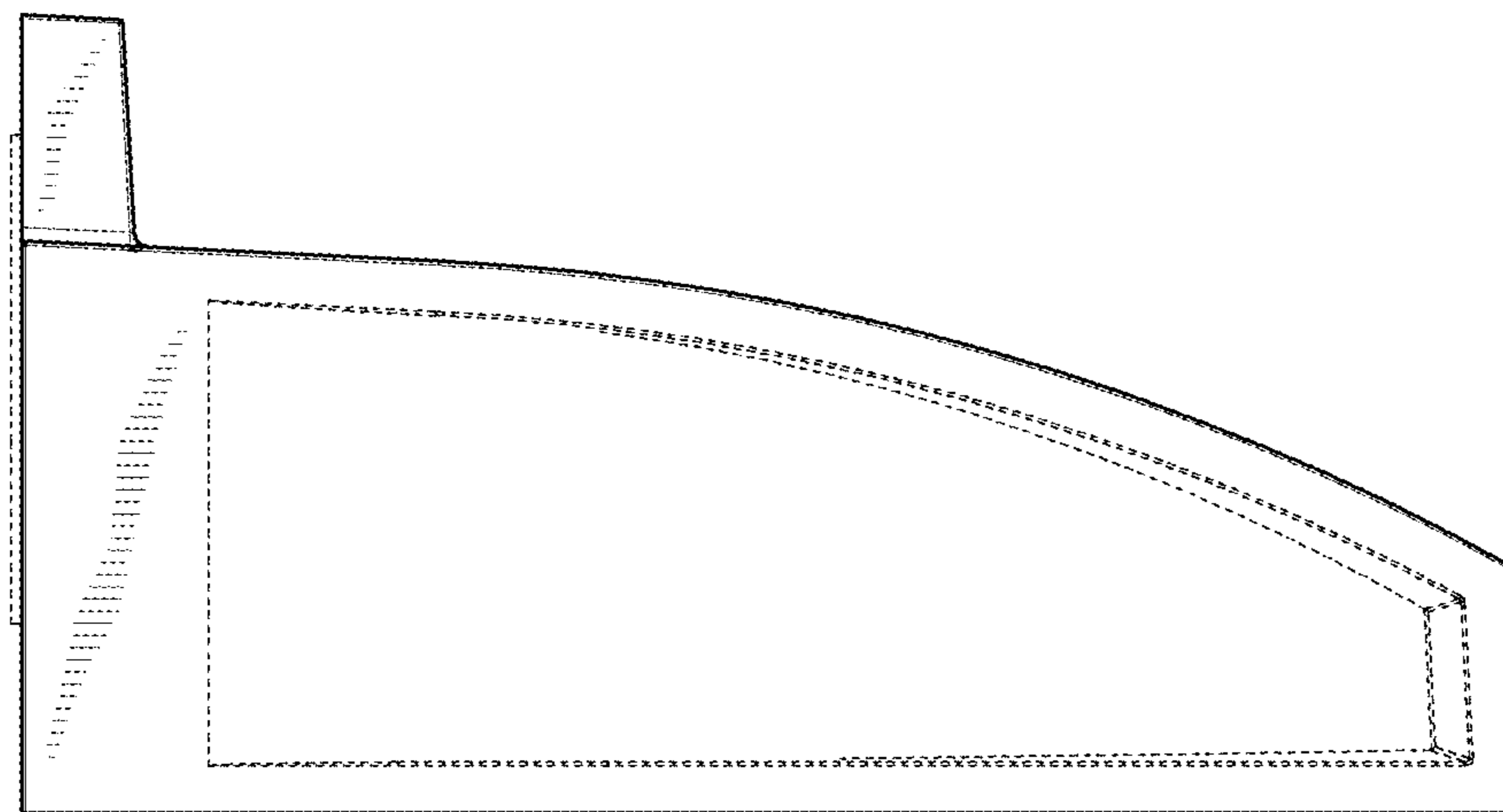


FIG. 7

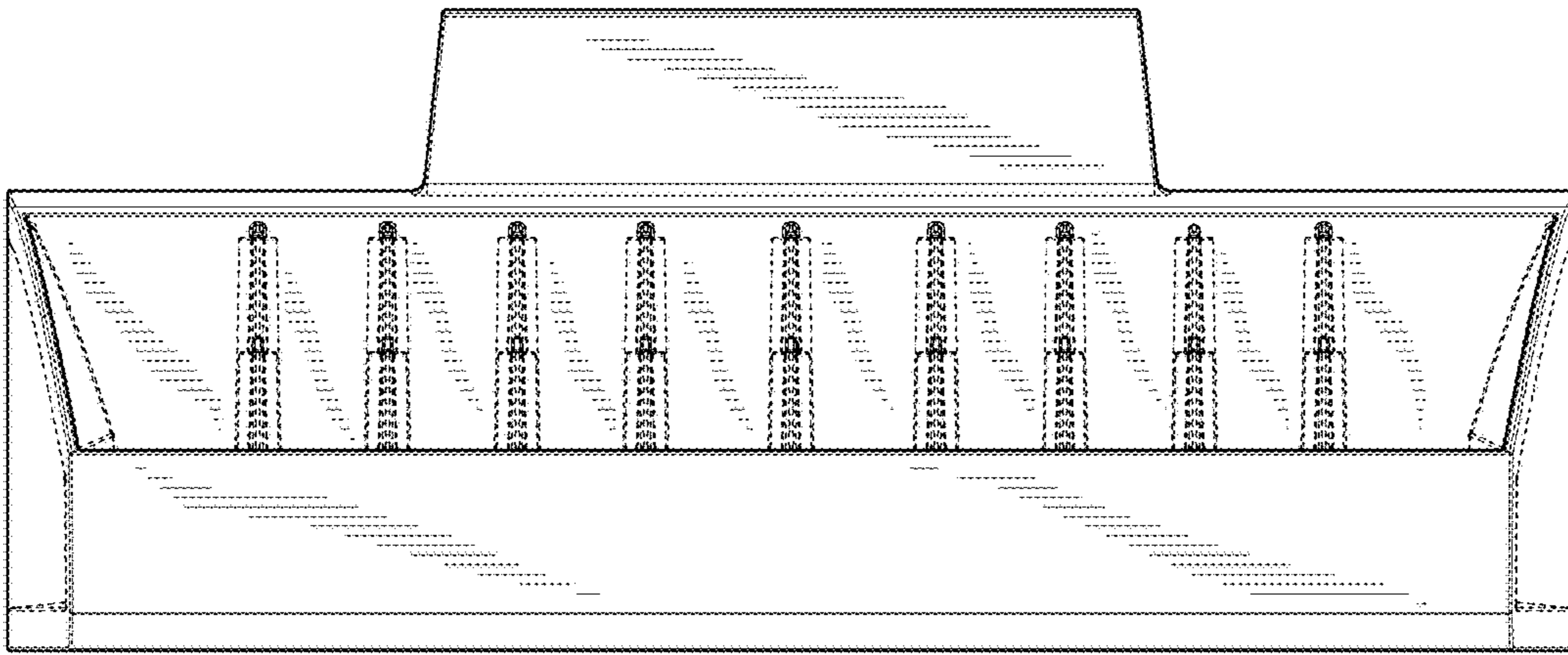


FIG. 8

