



US00D782719S

(12) **United States Design Patent**
Snell et al.

(10) **Patent No.:** **US D782,719 S**

(45) **Date of Patent:** **** Mar. 28, 2017**

(54) **ROADWAY LUMINAIRE**

(71) Applicant: **Cree, Inc.**, Durham, NC (US)

(72) Inventors: **Nathan Snell**, Raleigh, NC (US);
Jeremy Sorenson, Oak Creek, WI (US)

(73) Assignee: **Cree, Inc.**, Durham, NC (US)

(**) Term: **14 Years**

(21) Appl. No.: **29/520,440**

(22) Filed: **Mar. 13, 2015**

(51) **LOC (10) Cl.** **26-05**

(52) **U.S. Cl.**
USPC **D26/71**

(58) **Field of Classification Search**
USPC D26/67-72, 92
CPC .. F21S 8/033; F21S 8/036; F21S 8/085; F21S
8/086; F21S 8/088; F21S 9/03; F21S
9/032; F21S 9/035; F21S 9/037; F21W
2131/103; F21W 2131/107
See application file for complete search history.

(56) **References Cited**

U.S. PATENT DOCUMENTS

D203,065 S *	11/1965	Izzi	D26/71
D203,764 S *	2/1966	Rutter	D26/71
D206,240 S *	11/1966	Rutter	D26/71
D221,183 S *	7/1971	Bobrick	D26/71
D348,945 S *	7/1994	Mehaffey	D26/71
D572,857 S *	7/2008	Kauffman	D26/71
D665,940 S *	8/2012	Lane	D26/71
8,573,818 B2 *	11/2013	Tu	F21S 8/086 362/267
D698,479 S *	1/2014	Soni	D26/71
8,770,797 B2 *	7/2014	Wang	F21V 15/011 362/153

D718,482 S *	11/2014	Snell	D26/71
9,028,087 B2 *	5/2015	Wilcox	F21V 29/83 362/101
D743,082 S *	11/2015	Neri	D26/71

* cited by examiner

Primary Examiner — Clare E Heflin

(74) *Attorney, Agent, or Firm* — McCracken & Gillen
LLC

(57) **CLAIM**

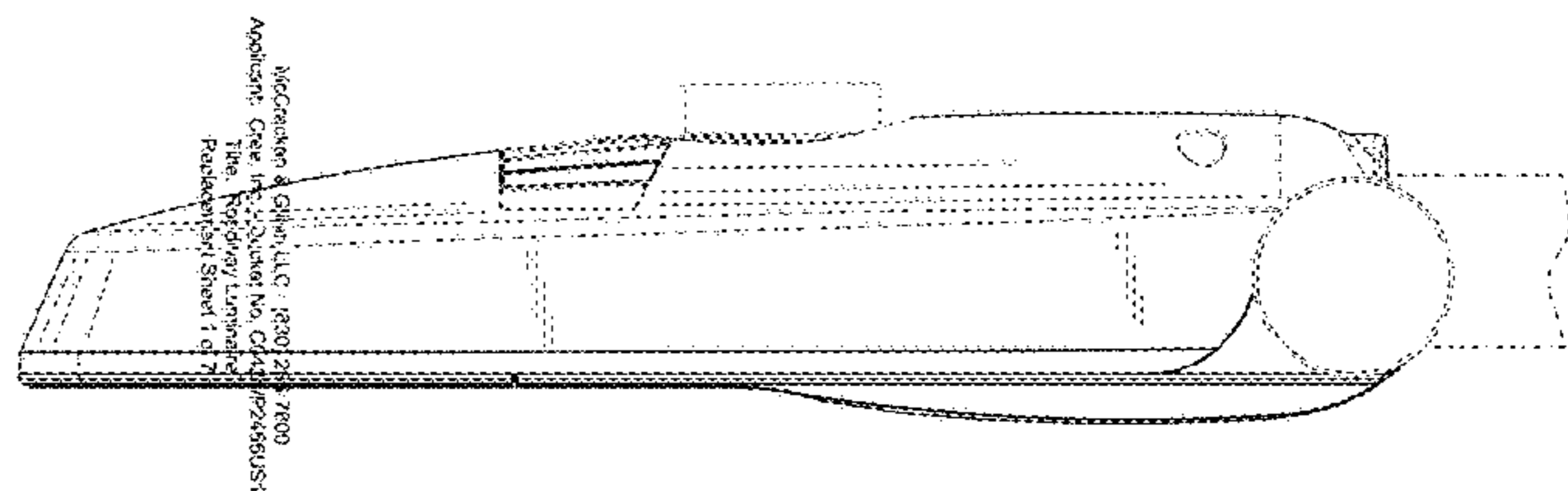
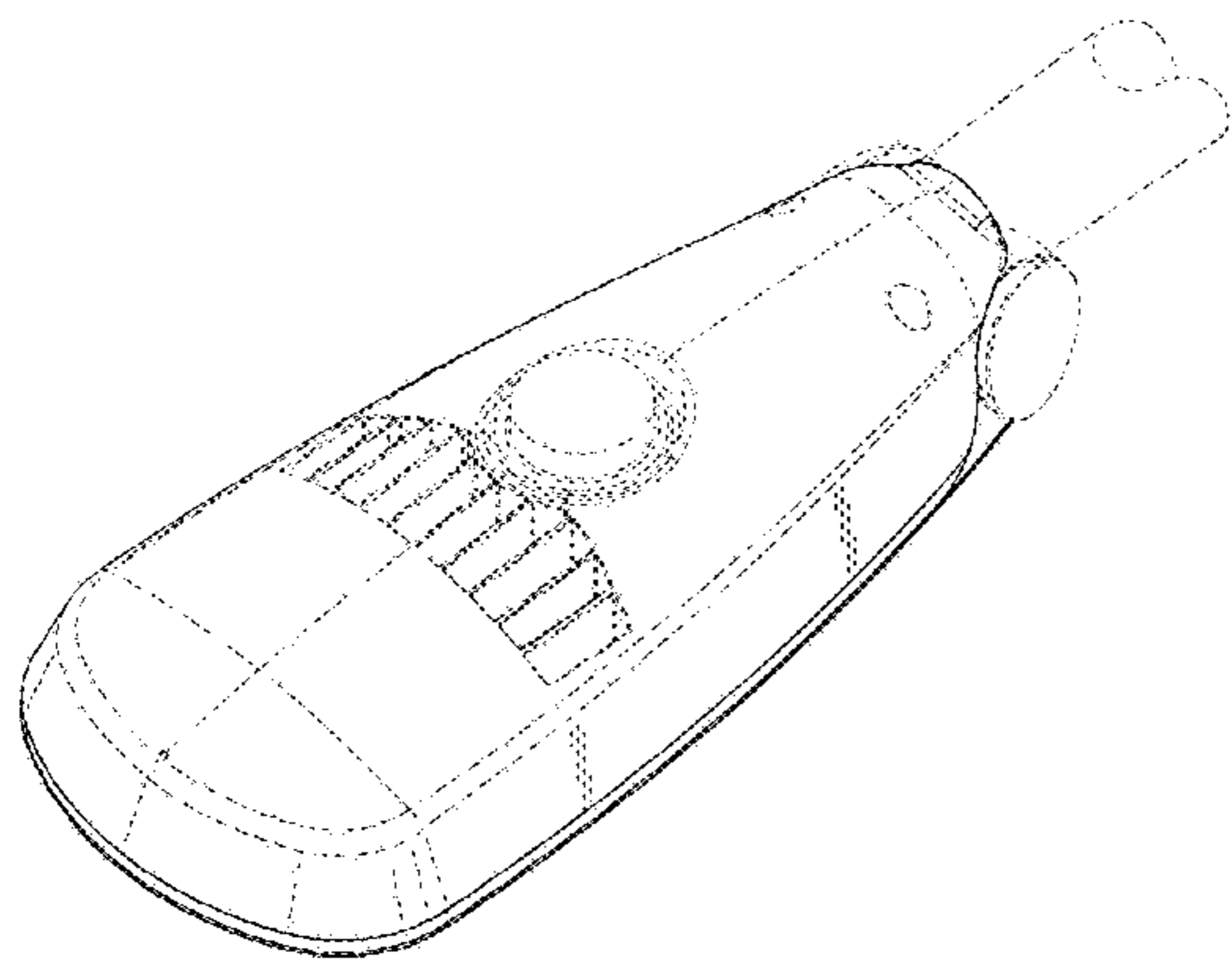
The ornamental design for a roadway luminaire, as shown and described.

DESCRIPTION

FIG. 1 is an isometric view of a top, front, and right side of an ornamental design for a roadway luminaire;
 FIG. 2 is an isometric view of a bottom, rear, and left side view of the roadway luminaire of FIG. 1;
 FIG. 3 is a top plan view of the roadway luminaire of FIG. 1;
 FIG. 4 is a bottom plan view of the roadway luminaire of FIG. 1;
 FIG. 5 is a front elevation view of the roadway luminaire of FIG. 1;
 FIG. 6 is a rear elevation view of the roadway luminaire of FIG. 1; and,
 FIG. 7 is a right side elevation view of the roadway luminaire of FIG. 1, a left side elevation view of the roadway luminaire being a mirror image of the right side elevation view.

The broken lines (where present) in all FIGS. illustrate portions of the roadway luminaire that form no part of the claimed design. The dash-dot lines (where present) are for the purpose of defining the bounds of the claimed design and form no part of the claimed design.

1 Claim, 7 Drawing Sheets



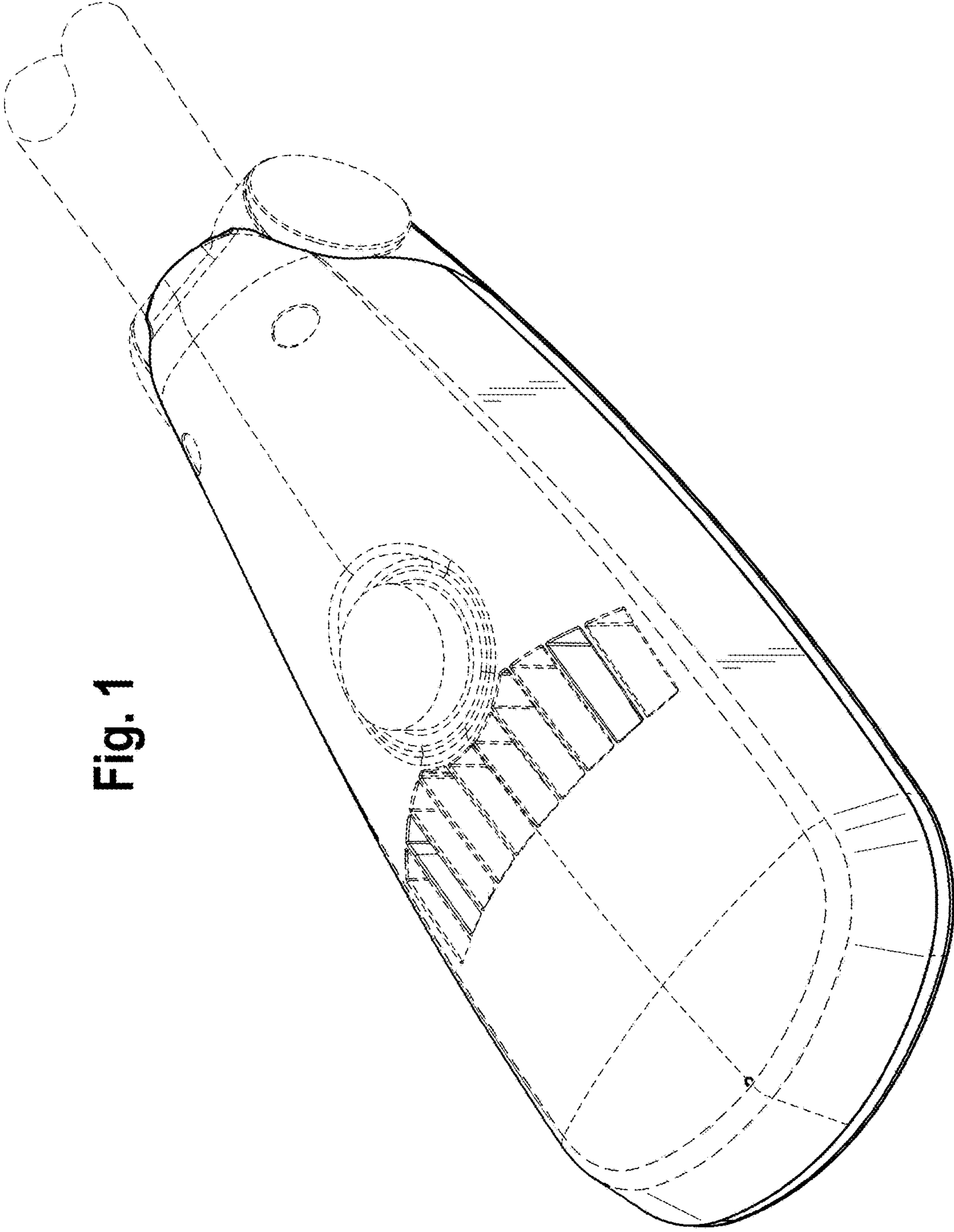


Fig. 1

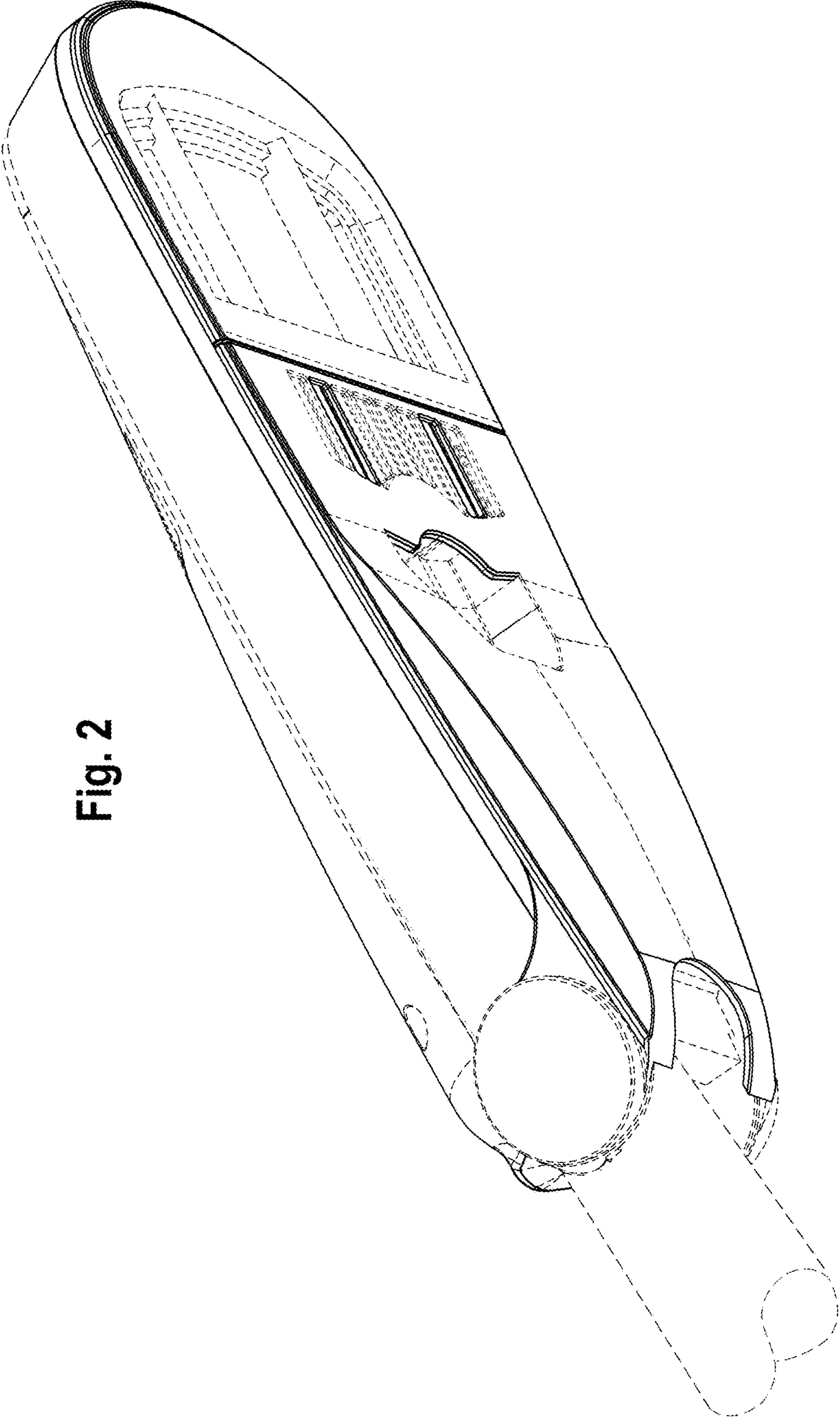


Fig. 2

Fig. 3

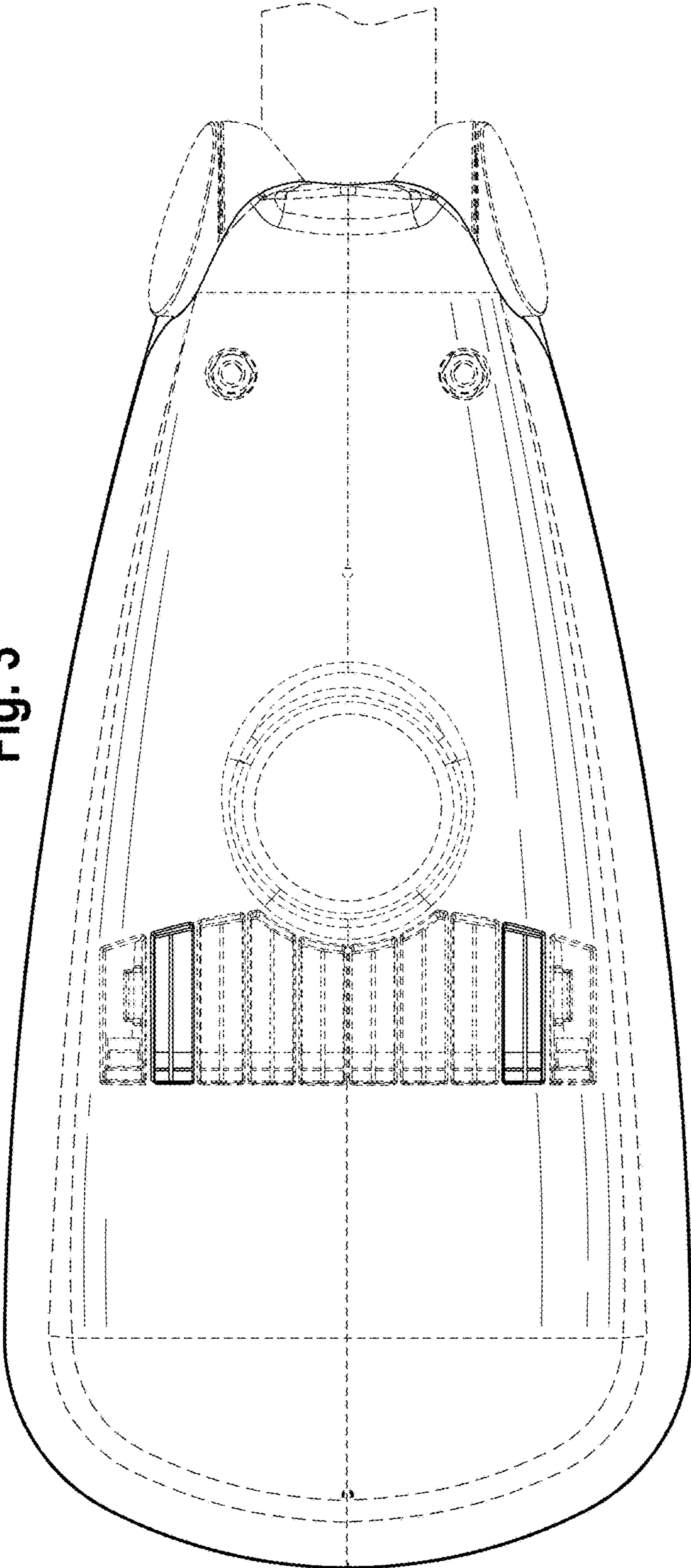


Fig. 4

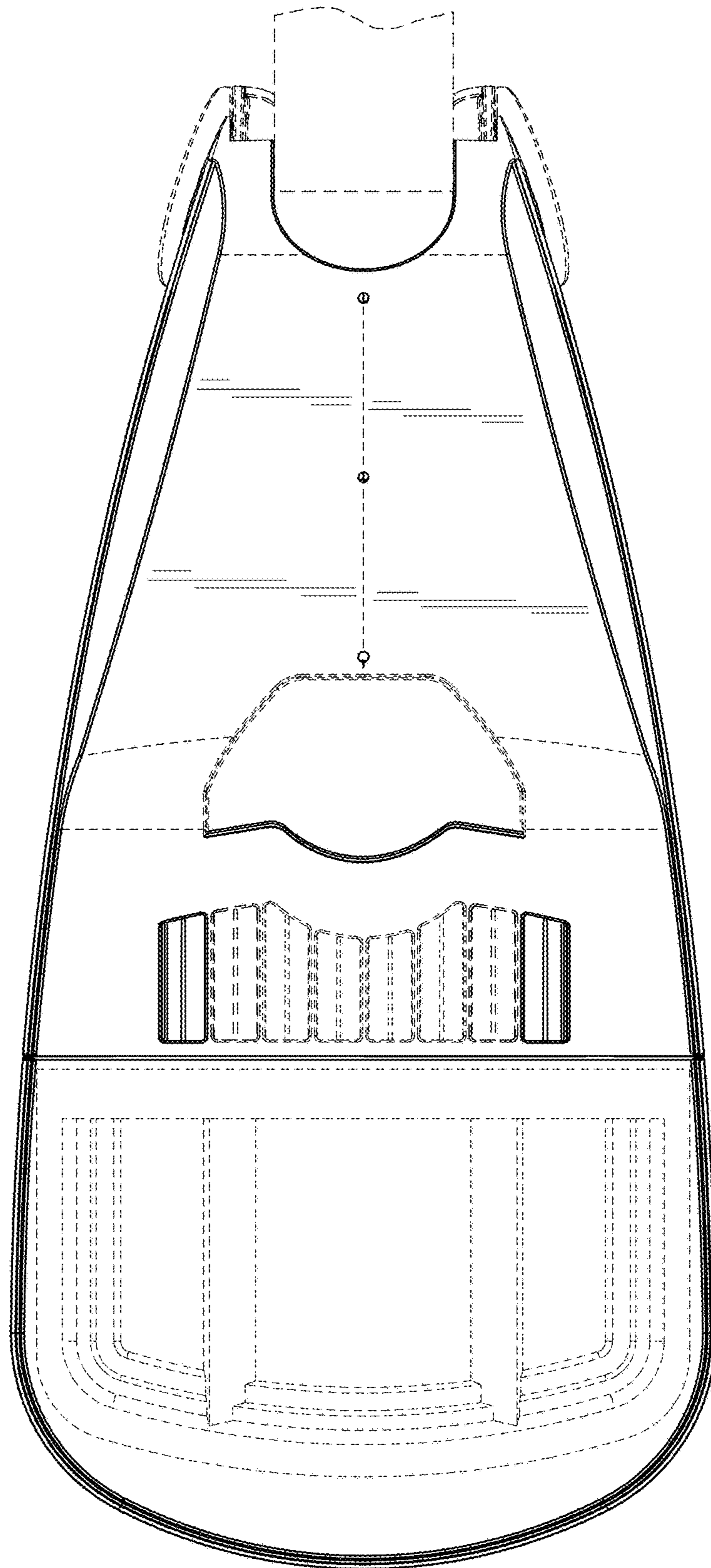


Fig. 5

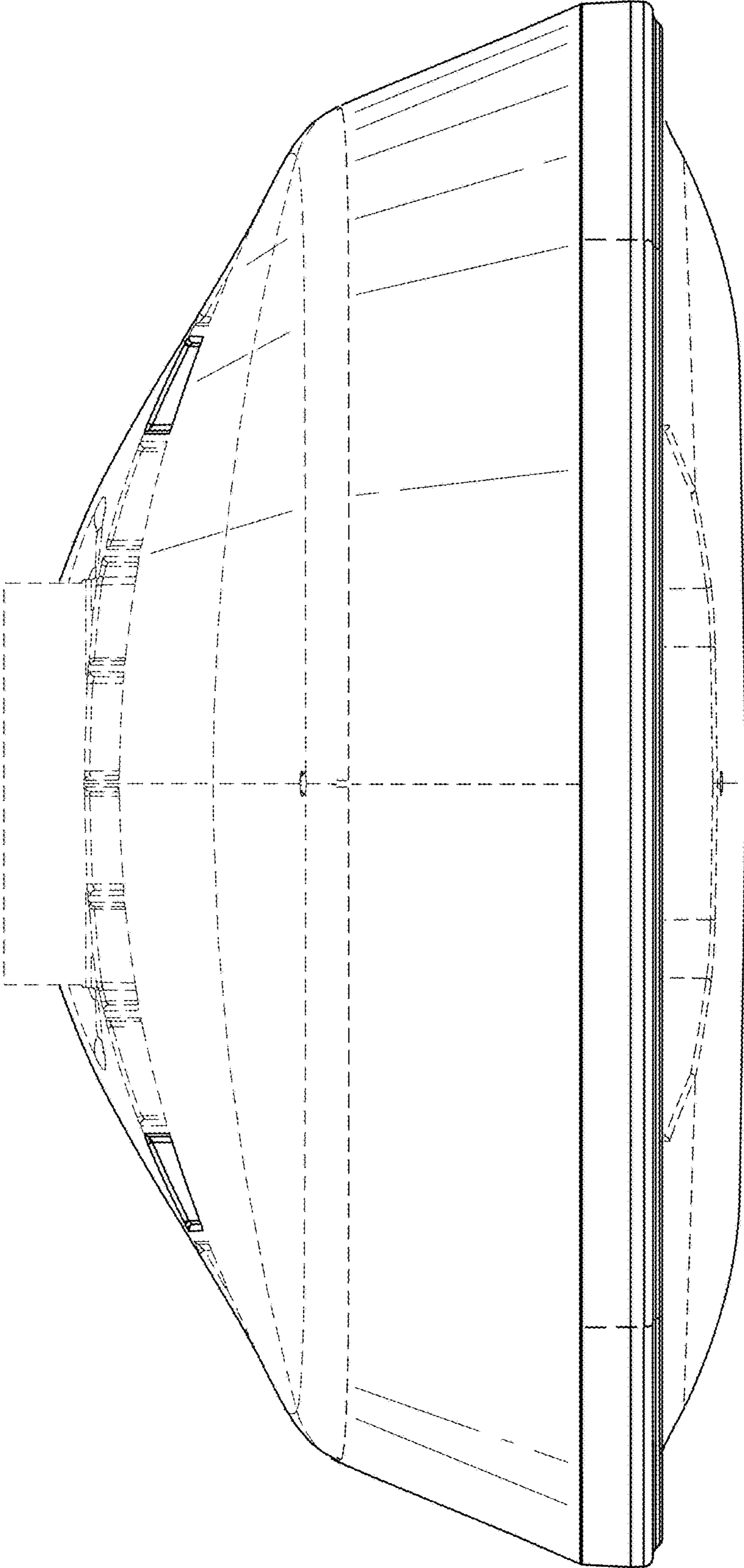


Fig. 6

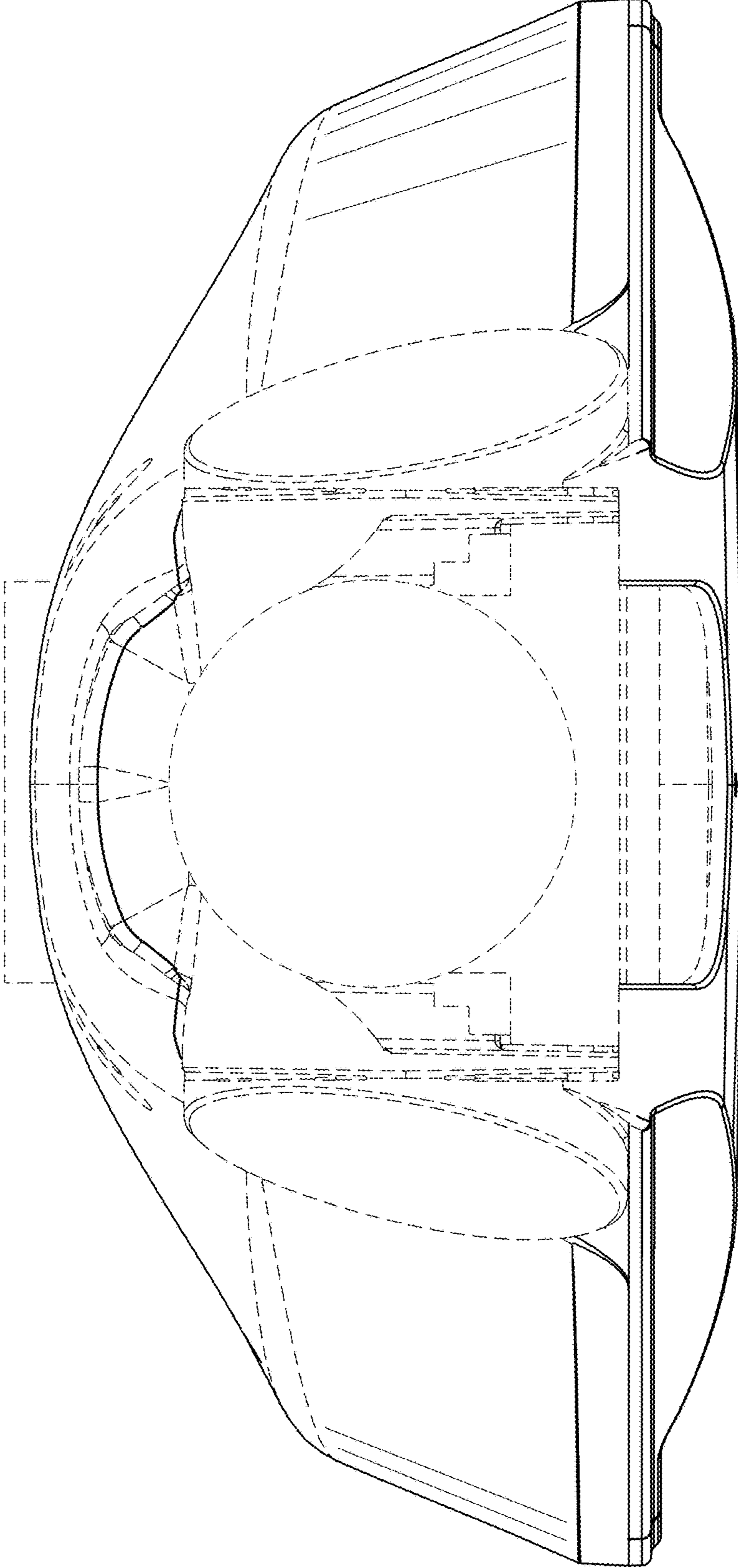


Fig. 7

