



US00D782718S

(12) **United States Design Patent** (10) **Patent No.:** **US D782,718 S**  
**Ko** (45) **Date of Patent:** **\*\* Mar. 28, 2017**

(54) **LAMP**

(71) Applicants: **In Hong Ko**, Seoul (KR); **VISION X ASIA CO., LTD.**, Hwaseong-si (KR)

(72) Inventor: **In Hong Ko**, Seoul (KR)

(73) Assignees: **In Hong Ko**, Seoul (KR); **VISION X ASIA CO., LTD.**, Hwaseong-si (KR)

(\*\*) Term: **15 Years**

(21) Appl. No.: **29/552,297**

(22) Filed: **Jan. 21, 2016**

(30) **Foreign Application Priority Data**

Jul. 24, 2015 (KR) ..... 30-2015-0037558

(51) **LOC (10) Cl.** ..... **26-03**

(52) **U.S. Cl.**  
USPC ..... **D26/63**

(58) **Field of Classification Search**  
USPC ..... D26/1, 24, 61, 63, 65, 85, 92  
CPC ..... F21V 21/14; F21V 15/01; F21V 14/02;  
F21V 21/30; F21V 21/00; F21V 14/00;  
F21S 8/00; F21S 8/003; F21S 8/043;  
F21Y 2105/001

See application file for complete search history.

(56) **References Cited**

U.S. PATENT DOCUMENTS

D645,594 S *	9/2011	Grawe .....	D26/63
D712,581 S *	9/2014	Scarlata .....	D26/65
D734,886 S *	7/2015	Lazalier .....	D26/63
D736,444 S *	8/2015	Boudewyns .....	D26/63
D767,806 S *	9/2016	Colacilli .....	D26/63

\* cited by examiner

*Primary Examiner* — Brian N Vinson

(74) *Attorney, Agent, or Firm* — Cantor Colburn LLP

(57) **CLAIM**

The ornamental design for a lamp, as shown and described.

**DESCRIPTION**

FIG. 1 is a front side perspective view of a lamp showing my new design;

FIG. 2 is a rear side perspective view thereof;

FIG. 3 is a front elevational view thereof;

FIG. 4 is a rear elevational view thereof;

FIG. 5 is a left side elevational view thereof;

FIG. 6 is a right side elevational view thereof;

FIG. 7 is a top plan view thereof; and,

FIG. 8 is a bottom plan view thereof.

The broken line disclosure represents portions of the lamp which form no part of the claimed design.

**1 Claim, 8 Drawing Sheets**

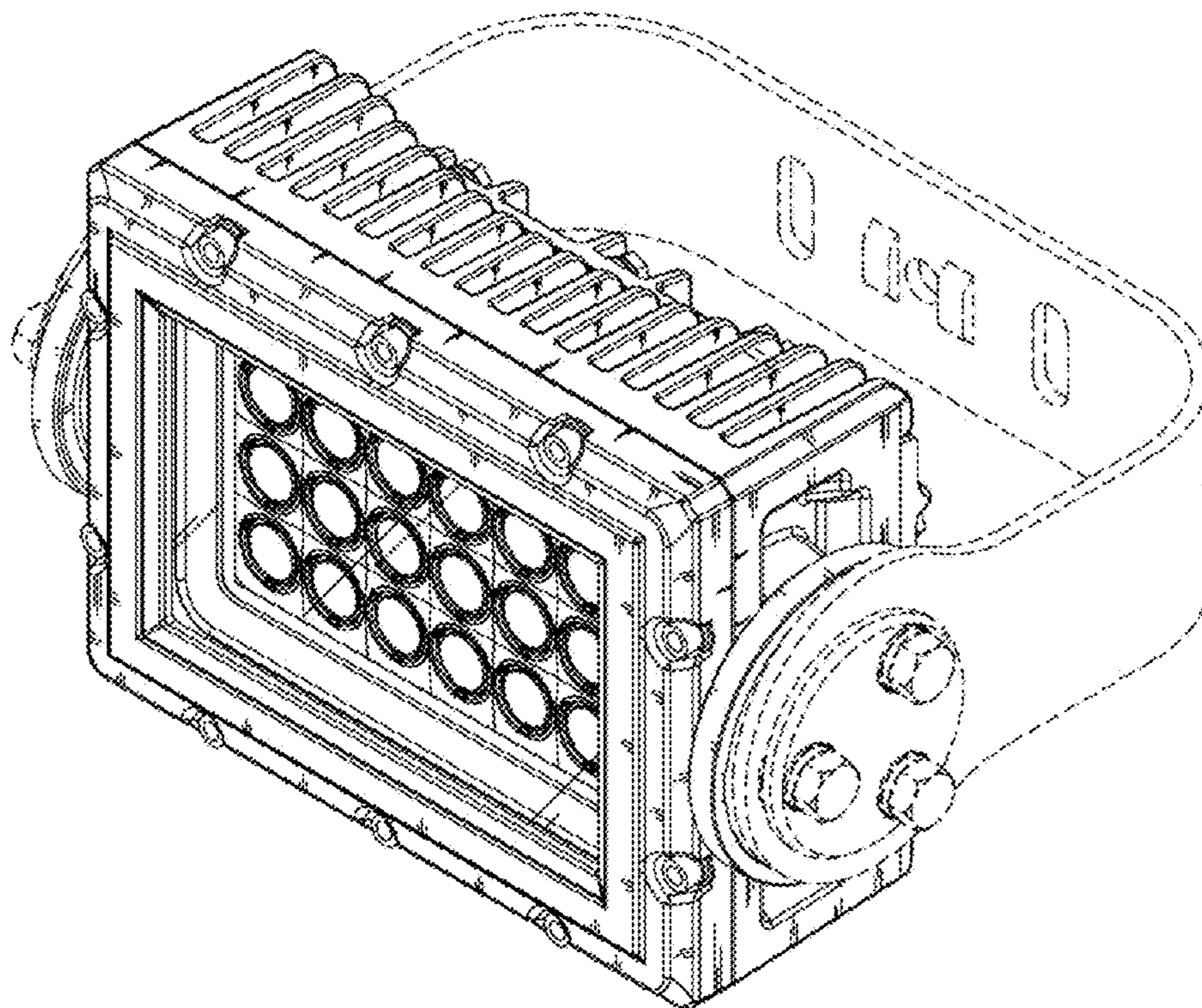


FIG. 1

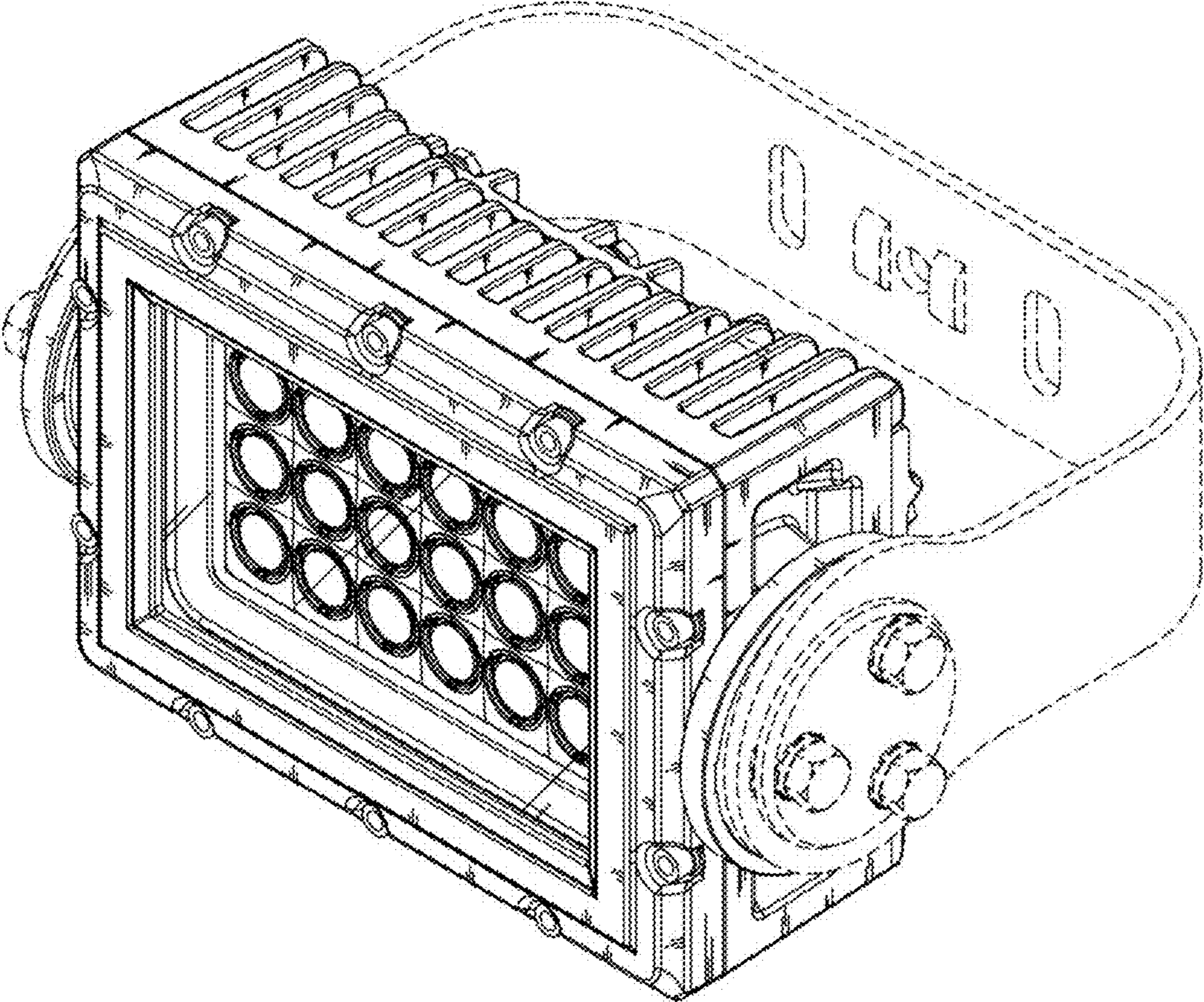


FIG. 2

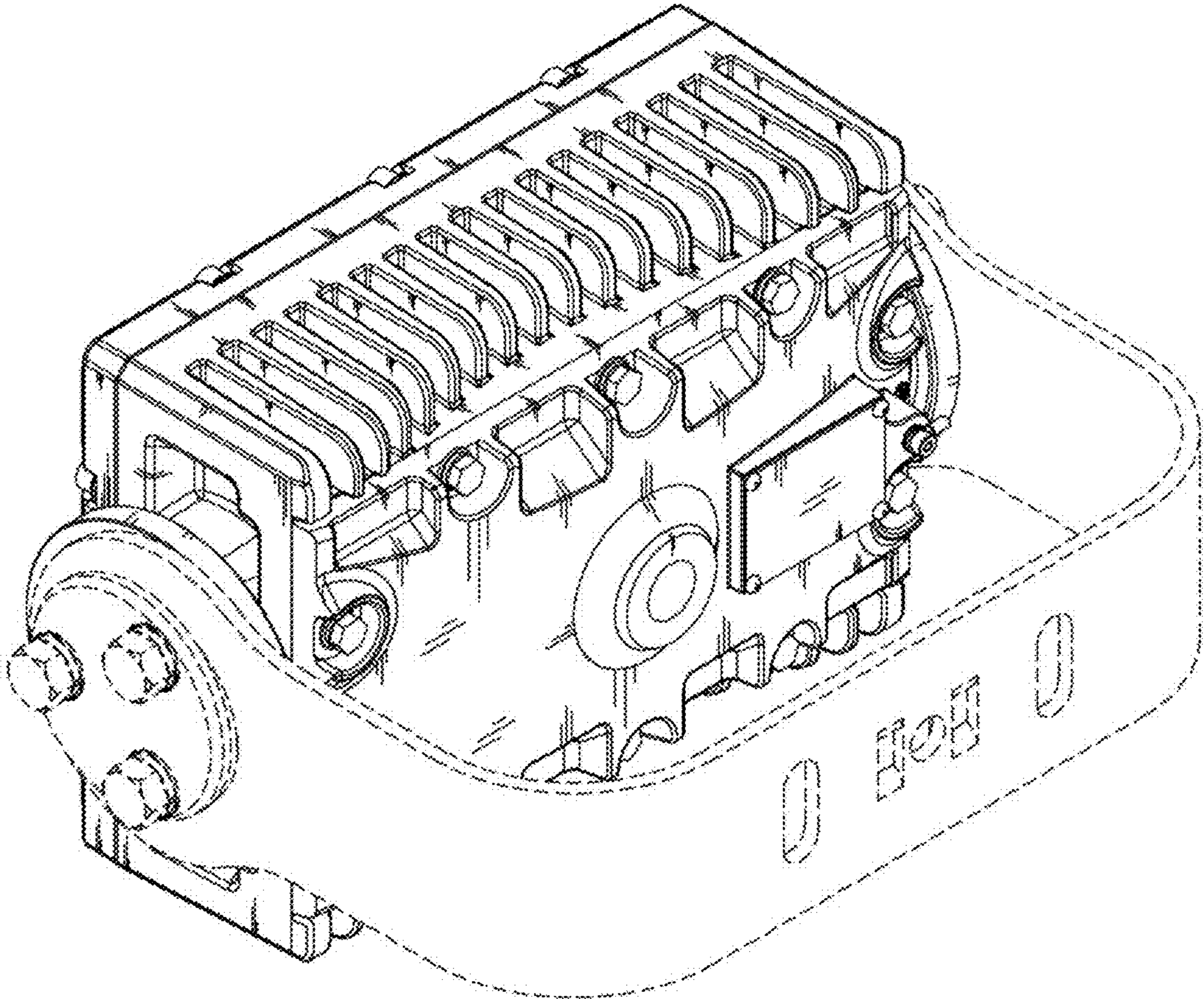


FIG. 3

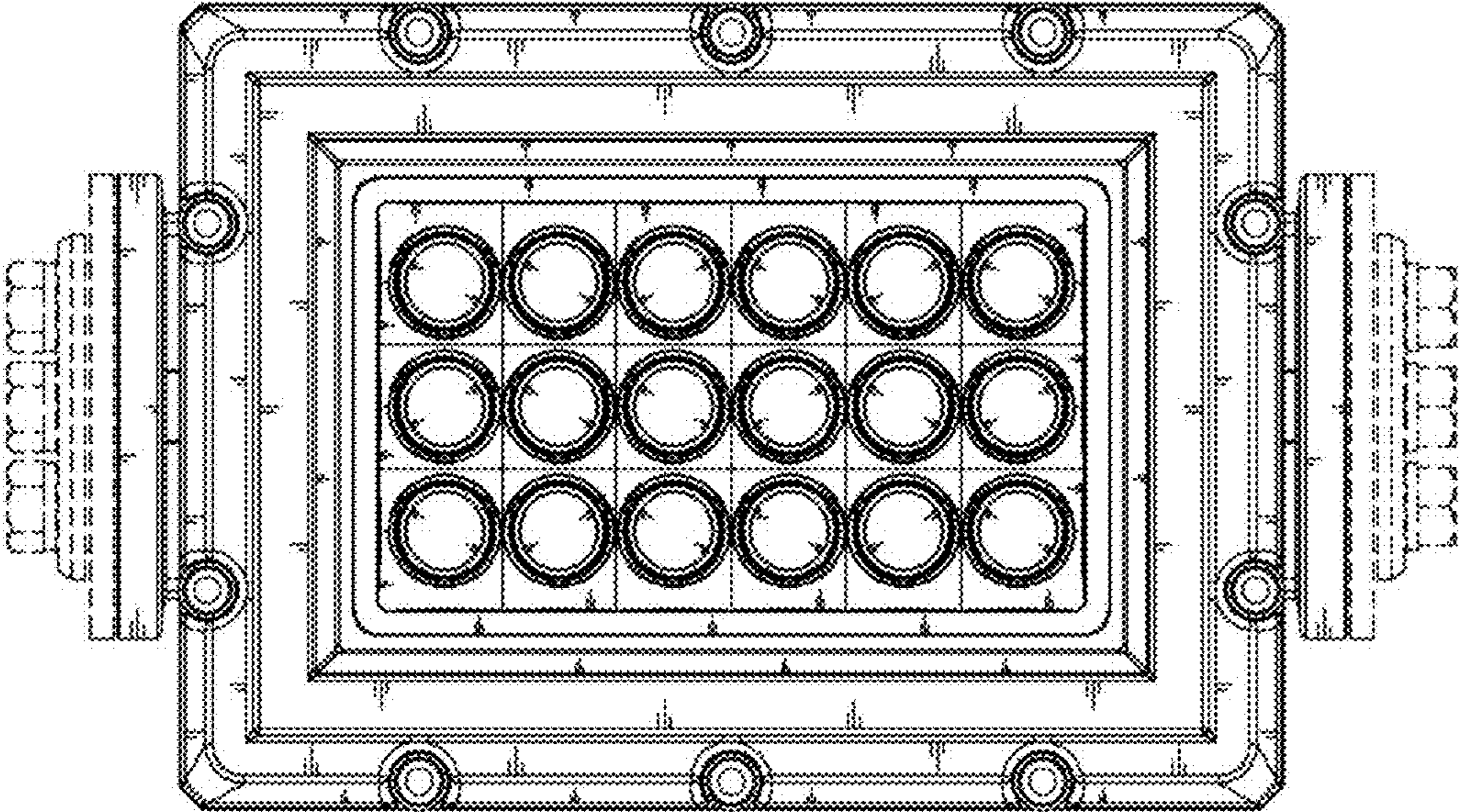


FIG. 4

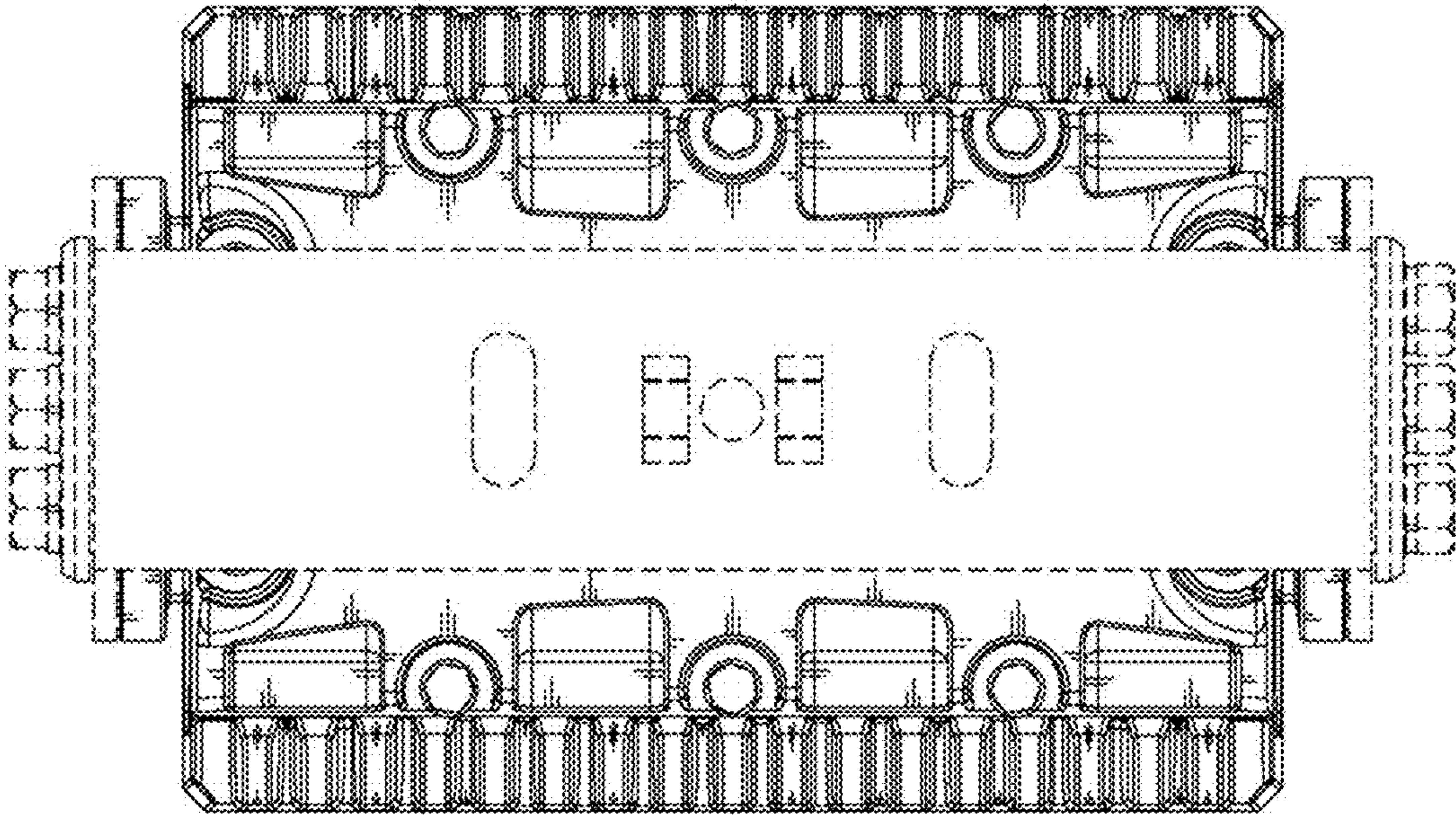


FIG. 5

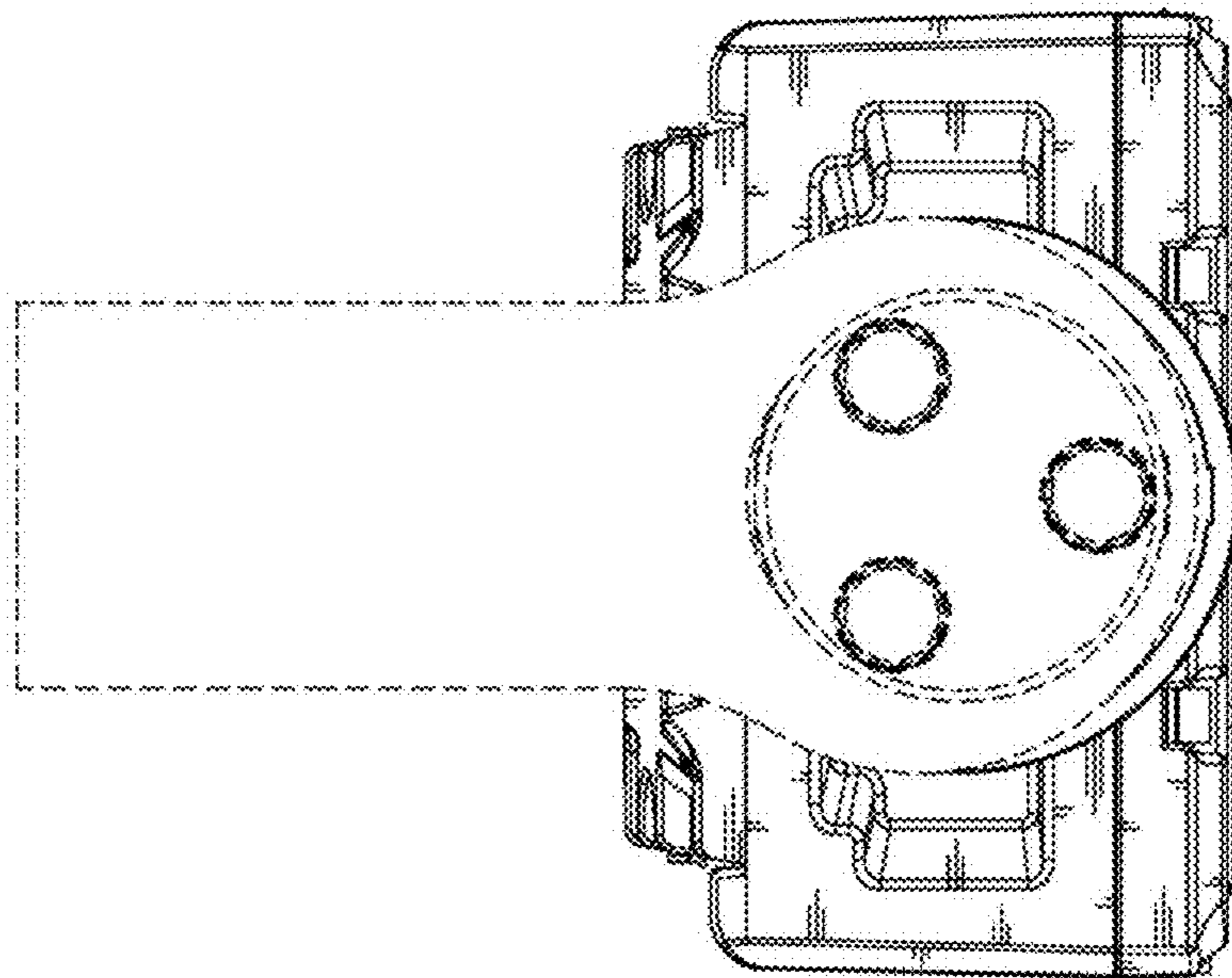


FIG. 6

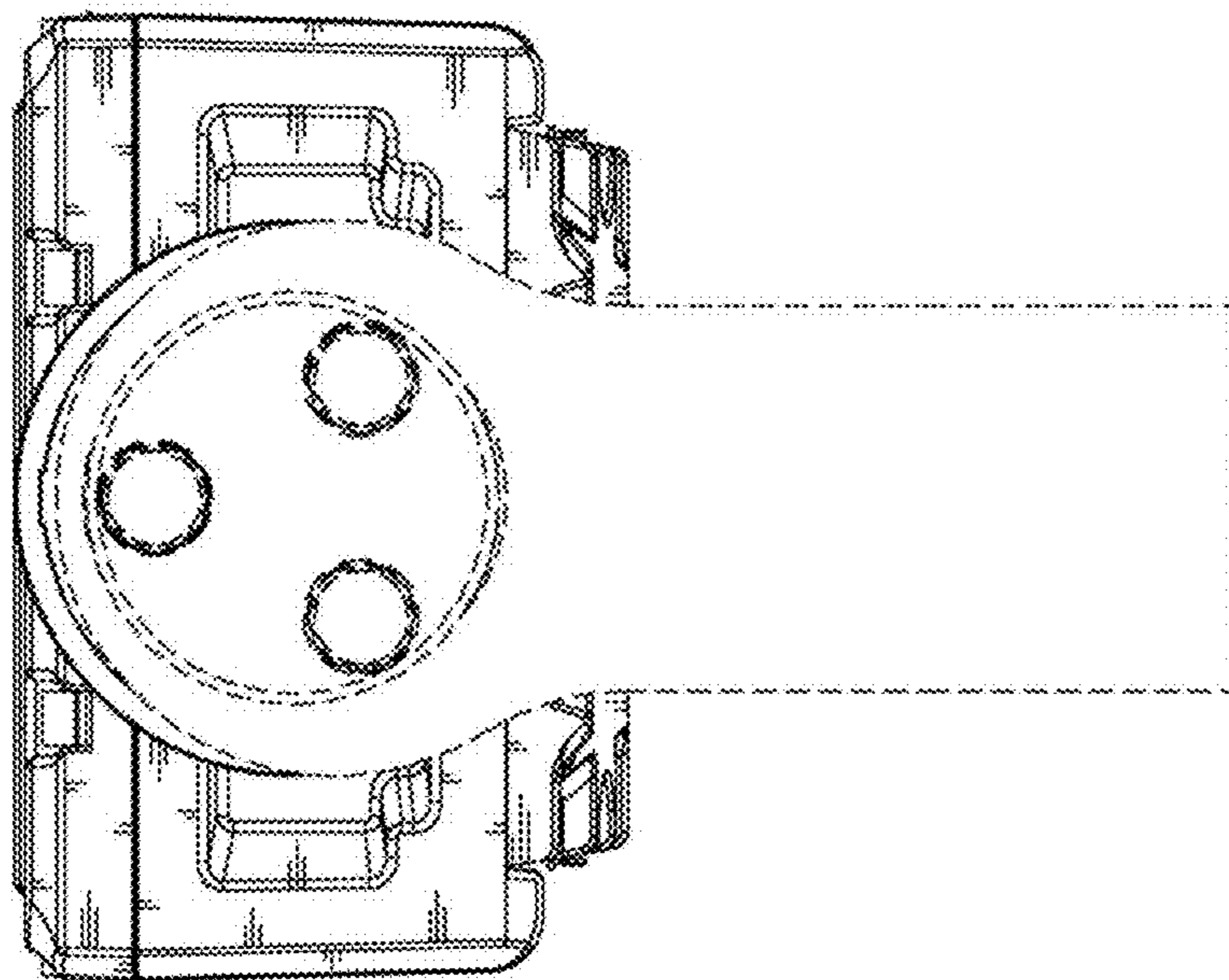


FIG. 7

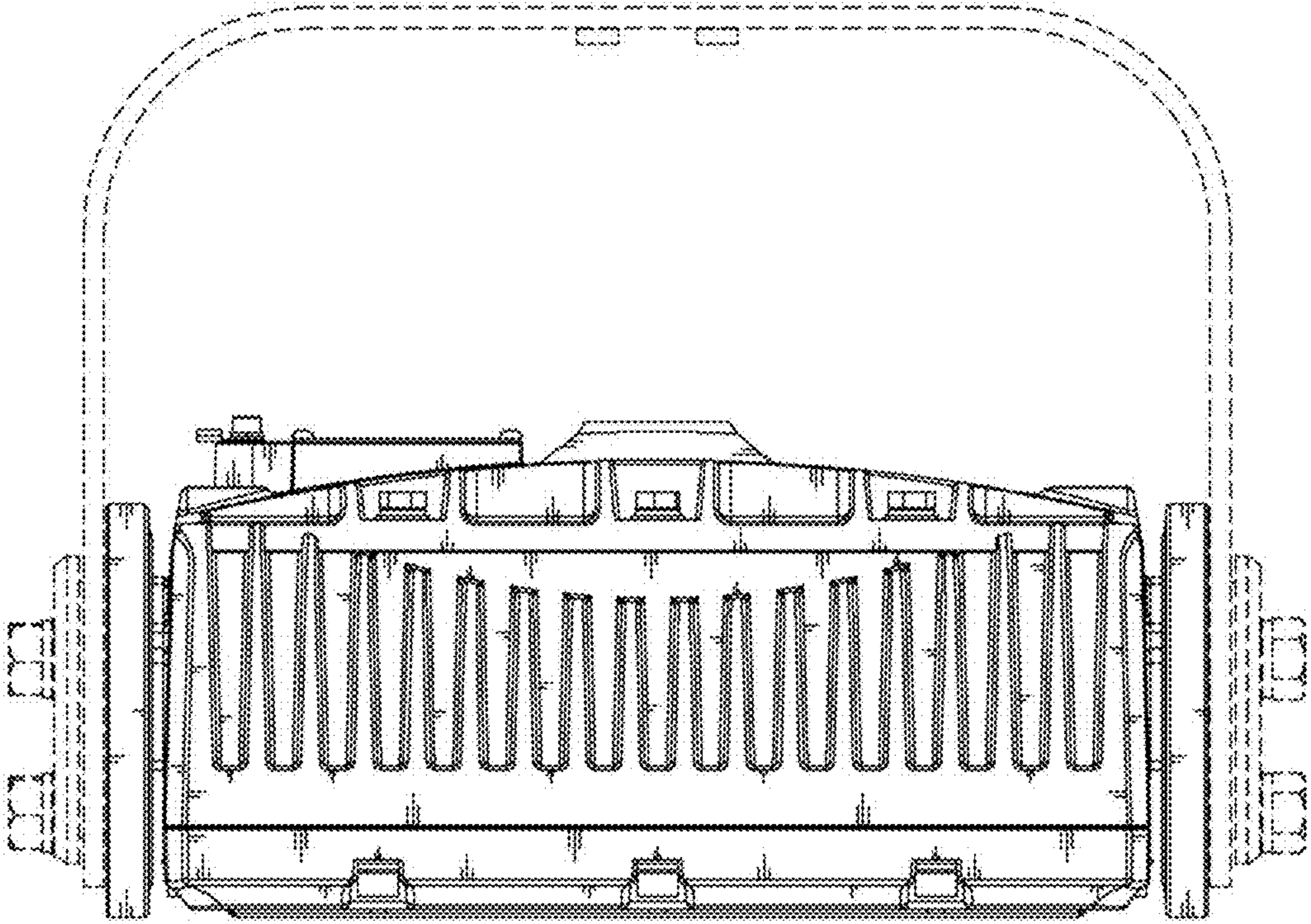




FIG. 8

