



US00D782717S

(12) **United States Design Patent**
Dir

(10) **Patent No.:** **US D782,717 S**
(45) **Date of Patent:** **** Mar. 28, 2017**

- (54) **SAFETY LIGHT**
- (71) Applicant: **Archangel Device LLC**, Milwaukee, WI (US)
- (72) Inventor: **Ronald R. Dir**, Sturtevant, WI (US)
- (73) Assignee: **Archangel Device LLC**, Milwaukee, WI (US)
- (**) Term: **14 Years**
- (21) Appl. No.: **29/509,969**
- (22) Filed: **Nov. 24, 2014**

4,837,559 A	6/1989	Green, Sr.
4,999,753 A	3/1991	MacKenzie
D340,777 S	10/1993	Choi et al.
5,434,759 A	7/1995	Endo et al.
5,627,513 A	5/1997	Weed et al.
5,652,570 A	7/1997	Lepkofker
5,806,965 A	9/1998	Deese
5,905,441 A	5/1999	Klee et al.
5,963,126 A	10/1999	Karlin et al.
6,137,396 A	10/2000	Puppo
6,213,619 B1 *	4/2001	Yu A45F 5/02 116/DIG. 44
D445,930 S *	7/2001	Se Kit D26/39
6,461,015 B1	10/2002	Welch
6,486,797 B1	11/2002	Laidman
D486,932 S	2/2004	Dario et al.
D489,470 S *	5/2004	Yuen D26/39
D511,984 S	11/2005	Kumagai

(Continued)

Related U.S. Application Data

- (63) Continuation-in-part of application No. 29/492,937, filed on Jun. 4, 2014, now Pat. No. Des. 765,897.
- (51) **LOC (10) Cl.** **26-02**
- (52) **U.S. Cl.**
USPC **D26/39**
- (58) **Field of Classification Search**
USPC D26/37, 38, 39, 46, 51; 362/103-108, 362/157, 158, 184, 186, 194-196, 362/200-208, 253
CPC F21V 33/00; F21V 14/025; F21V 21/406; F21Y 2101/02; F21L 17/00; F21L 13/08; F21L 2001/00; F21L 14/02
See application file for complete search history.

(56) **References Cited**

U.S. PATENT DOCUMENTS

4,047,165 A	9/1977	Andreasson et al.
4,319,309 A	3/1982	Benoit
4,328,533 A	5/1982	Paredes
4,788,631 A *	11/1988	Fuller F21V 9/083 362/103

Primary Examiner — Ian Simmons

Assistant Examiner — Carissa C Fitts

(74) *Attorney, Agent, or Firm* — Husch Blackwell LLP

(57) **CLAIM**

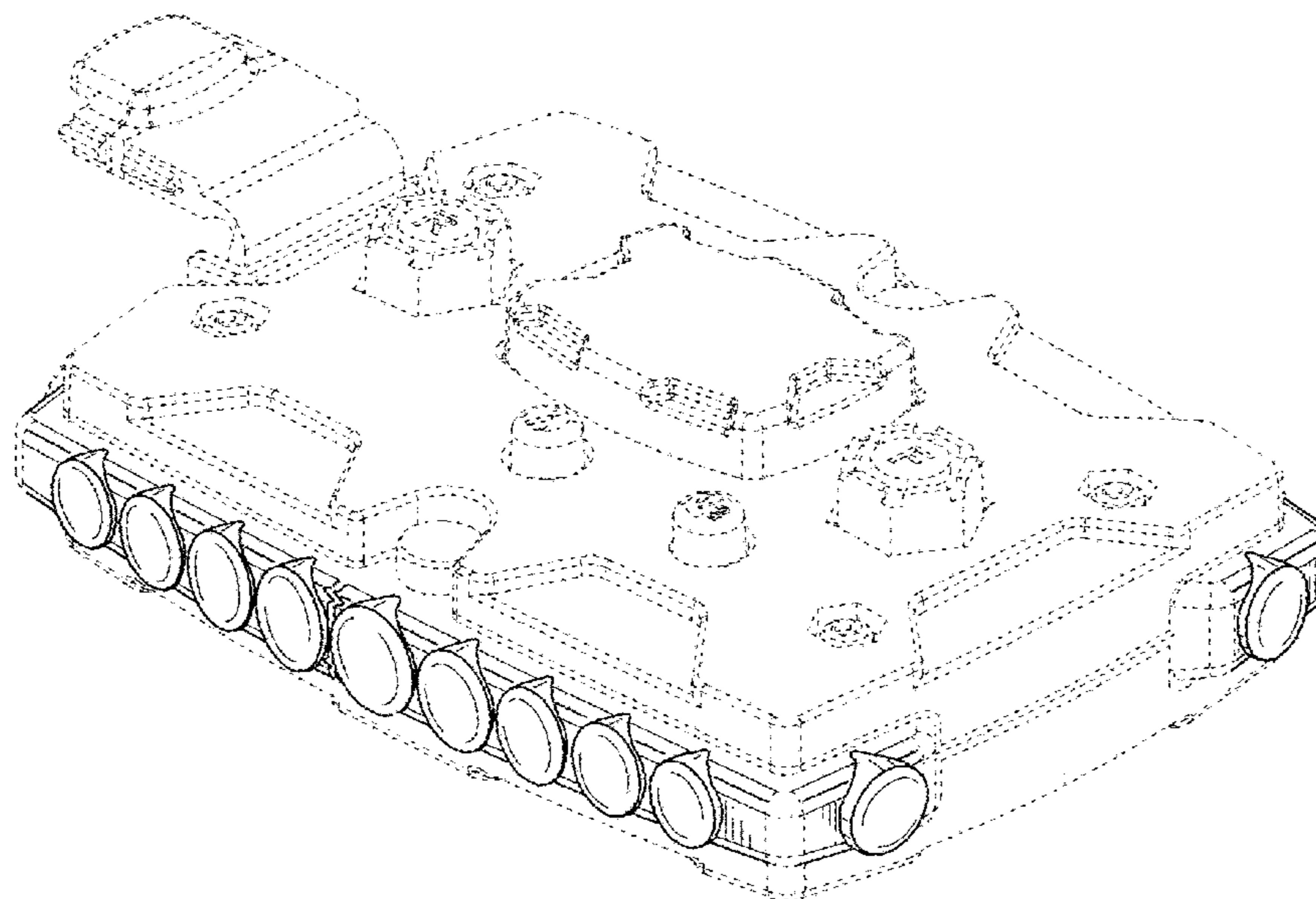
The ornamental design for a safety light, as shown and described.

DESCRIPTION

FIG. 1 is a front perspective view of a safety light in accordance with an embodiment of the present invention. FIG. 2 is a top view thereof; FIG. 3 is a bottom view thereof; FIG. 4 is a front view thereof; FIG. 5 is a right side view thereof; FIG. 6 is a rear view thereof; and, FIG. 7 is a left side view thereof.

The broken lines shown in all figures represent unclaimed portions of the safety light and form no part of the claimed design.

1 Claim, 5 Drawing Sheets



(56)

References Cited

U.S. PATENT DOCUMENTS

D520,395	S	5/2006	Lazalier	
D578,691	S	* 10/2008	Lau	D26/39
D605,320	S	* 12/2009	Moudry	D26/39
D637,330	S	* 5/2011	Lee	D26/39
D642,310	S	* 7/2011	Idelson	D26/39
D690,855	S	* 10/2013	Araujo	D26/39
2003/0132852	A1	7/2003	Povey et al.	
2007/0113845	A1	5/2007	O'Brien et al.	
2007/0176784	A1	8/2007	Fautin et al.	
2007/0194048	A1	8/2007	Teig	
2007/0200716	A1	8/2007	Haase et al.	
2008/0088477	A1	4/2008	Martin et al.	
2008/0130272	A1	6/2008	Waters	
2008/0247161	A1	10/2008	Hulsey et al.	
2008/0259601	A1	10/2008	Frank et al.	
2008/0319282	A1	12/2008	Tran	

* cited by examiner

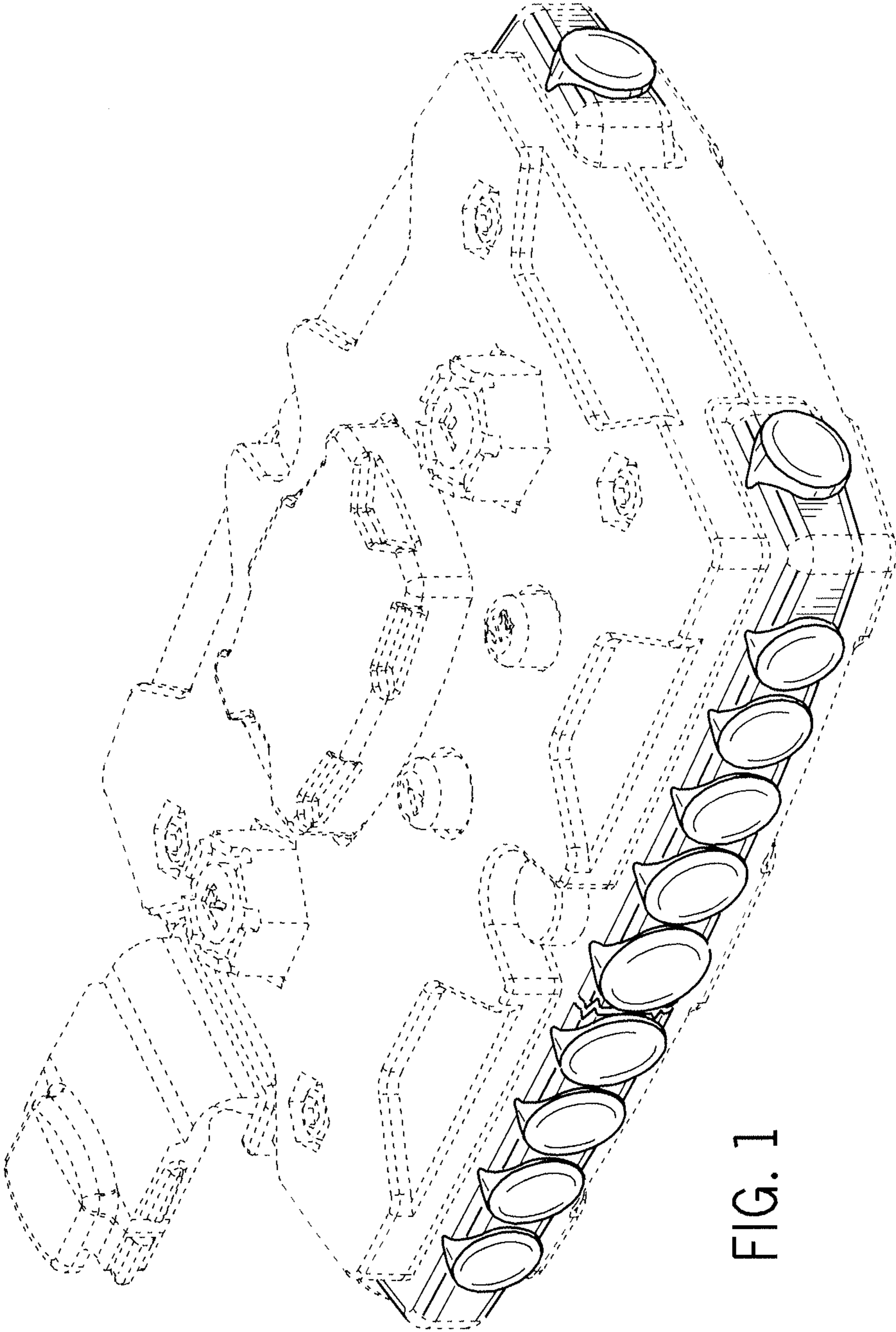


FIG. 1

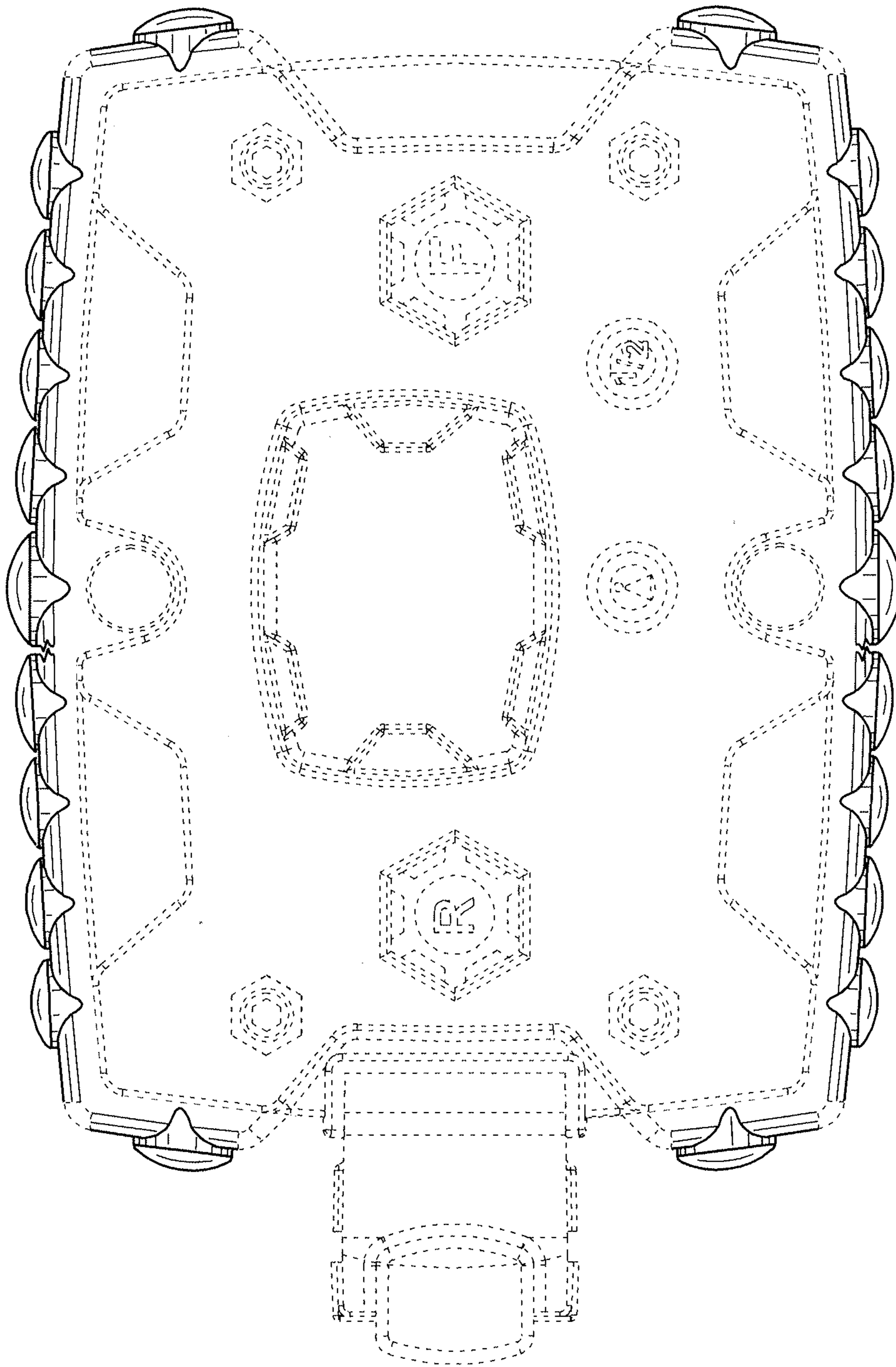


FIG. 2

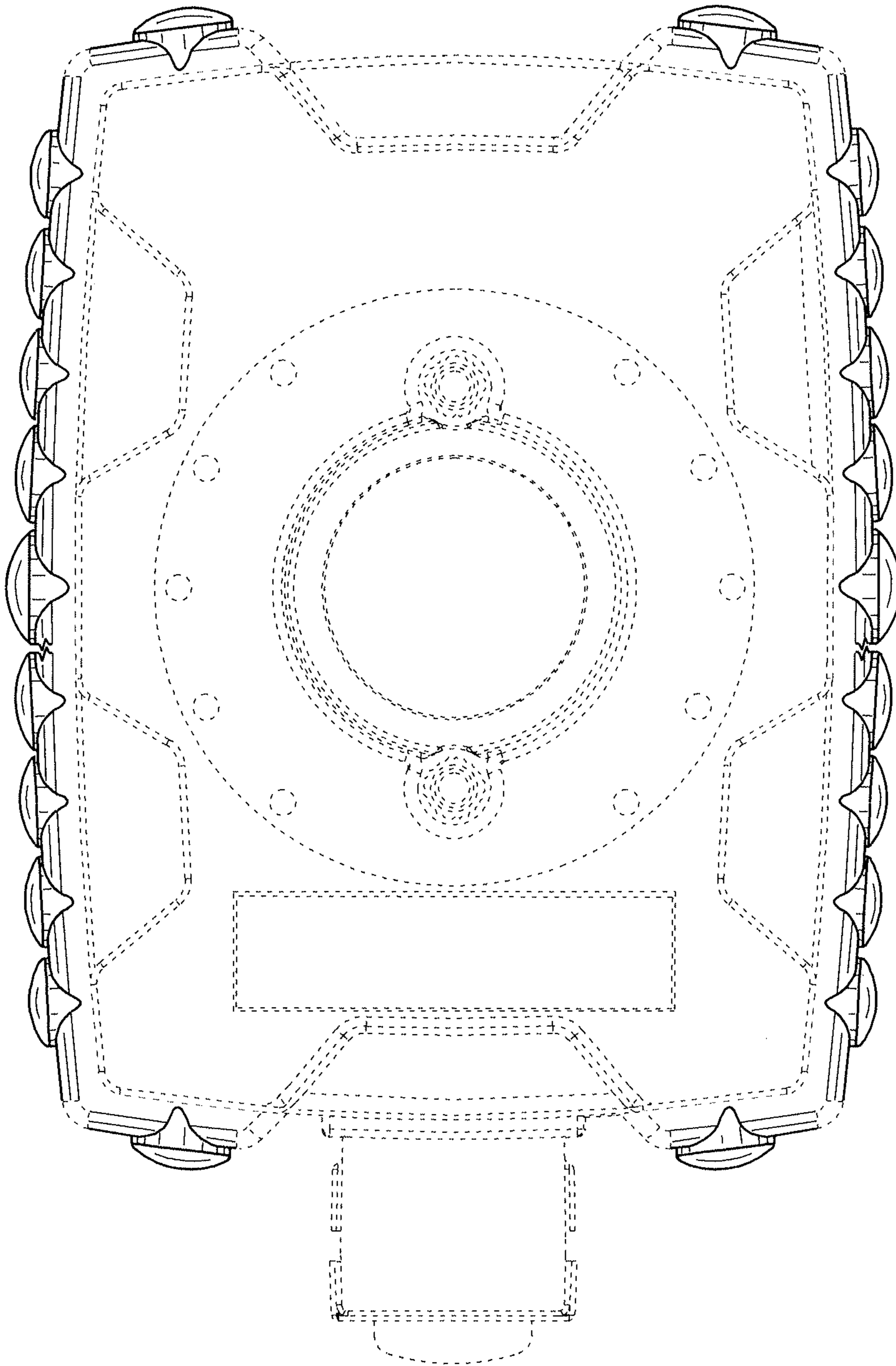


FIG. 3

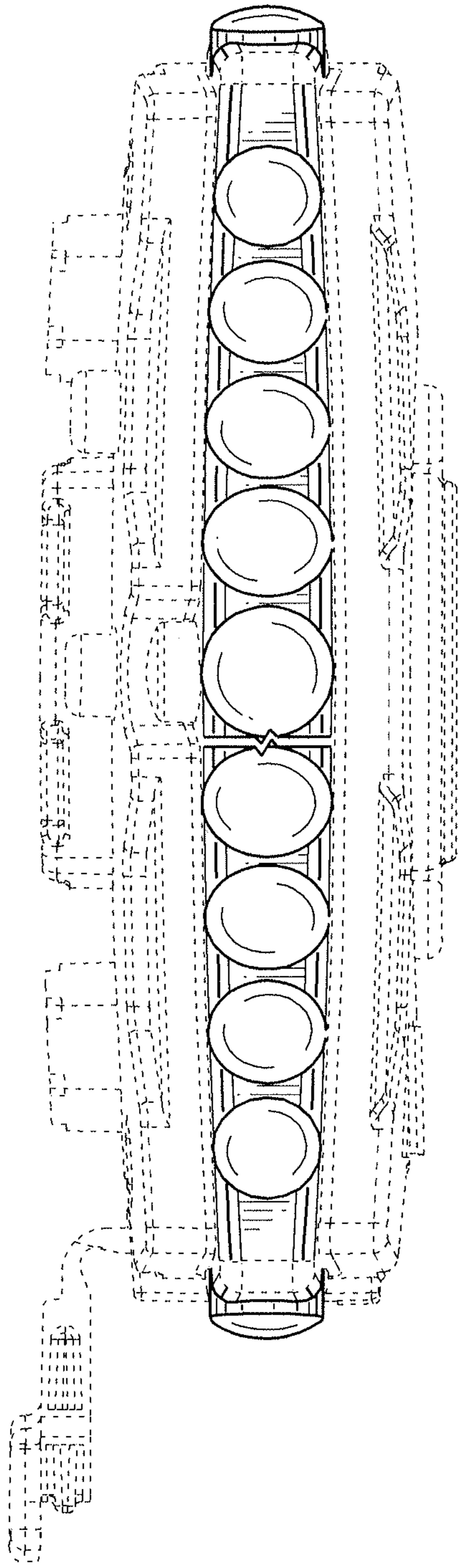


FIG. 4

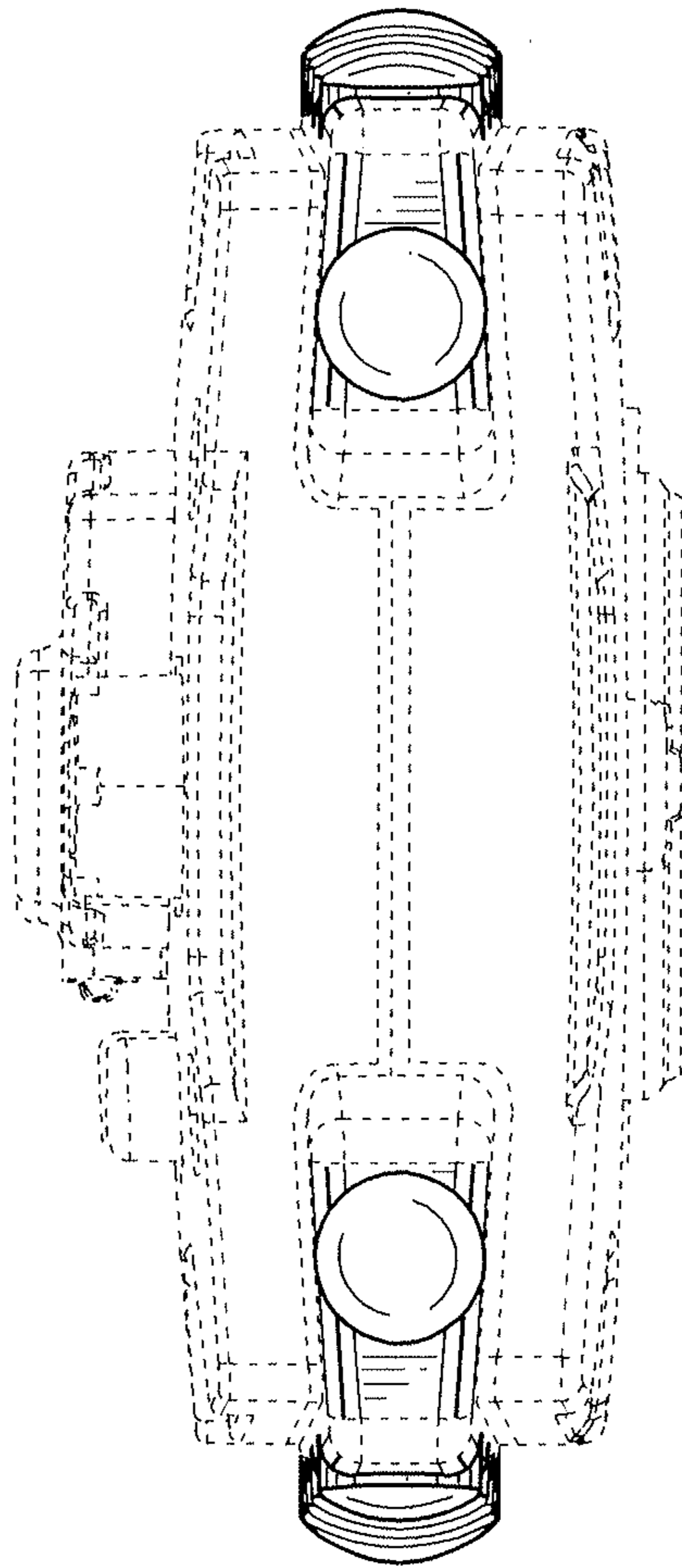


FIG. 5

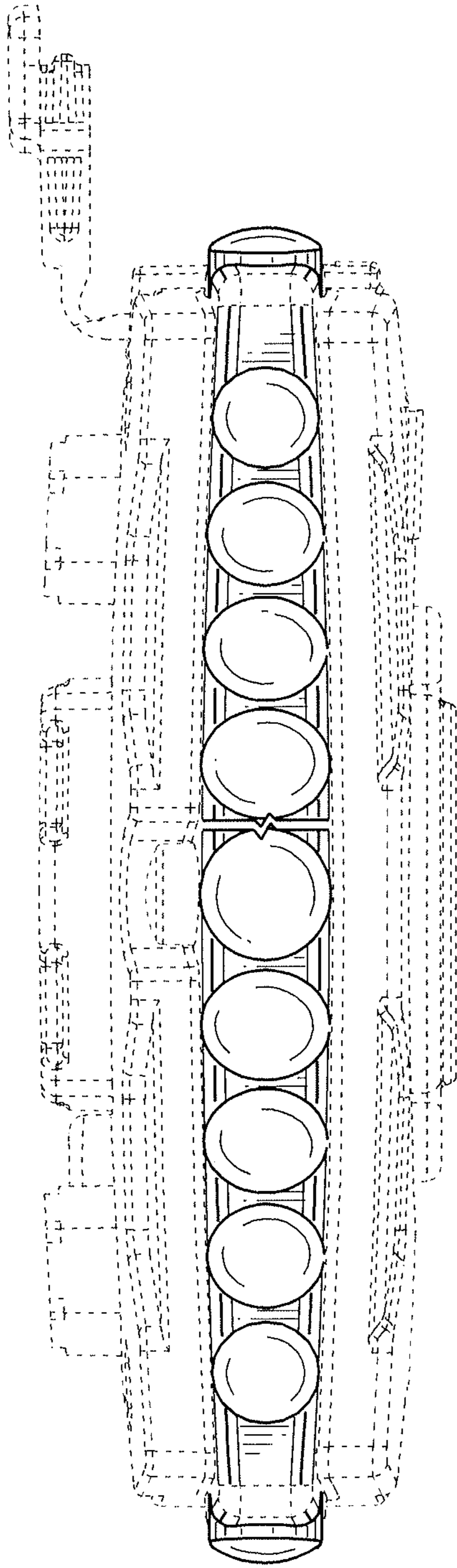


FIG. 6

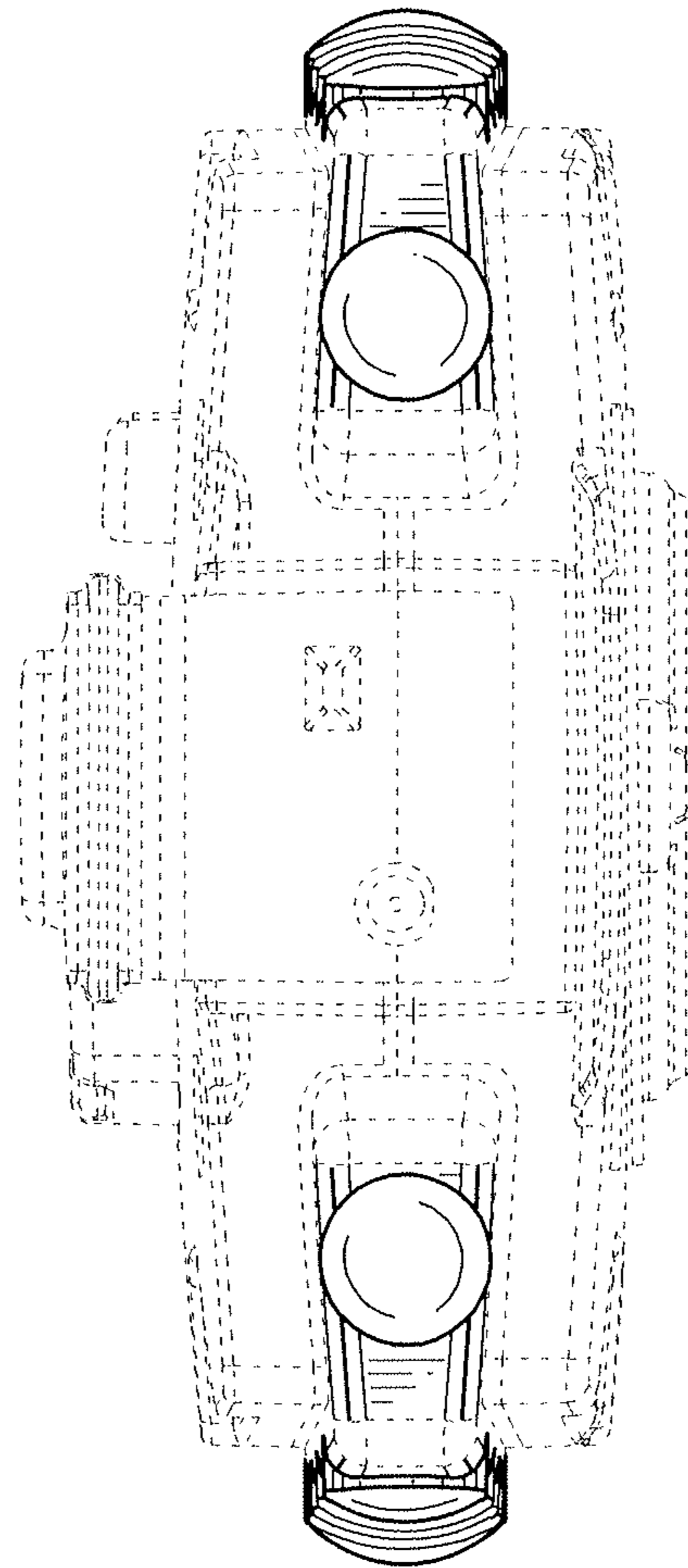


FIG. 7