



US00D782716S

(12) **United States Design Patent**  
**McLennan**

(10) **Patent No.:** **US D782,716 S**

(45) **Date of Patent:** **\*\* Mar. 28, 2017**

(54) **PORTABLE LIGHT**

(71) Applicant: **Streamlight, Inc.**, Eagleville, PA (US)

(72) Inventor: **W. Ross McLennan**, Perkaspie, PA (US)

(73) Assignee: **Streamlight, Inc.**, Eagleville, PA (US)

(\*\*) Term: **14 Years**

(21) Appl. No.: **29/477,260**

(22) Filed: **Dec. 20, 2013**

(51) **LOC (10) Cl.** ..... **26-02**

(52) **U.S. Cl.**  
USPC ..... **D26/37; D26/43**

(58) **Field of Classification Search**  
USPC ..... D26/37, 46, 49, 38, 43; 362/157, 158,  
362/183, 184, 194-196, 202-208  
CPC ..... F21V 33/00; F21V 14/025; F21V 21/406;  
F21Y 2101/02; F21L 2003/00; F21L  
2005/00  
See application file for complete search history.

(56) **References Cited**

**U.S. PATENT DOCUMENTS**

D139,628 S	12/1944	Chapman
2,467,954 A	4/1949	Becker
2,539,974 A	1/1951	Riddell
D166,073 S	3/1952	Dunkelberger
2,612,598 A	9/1952	Berman

(Continued)

**FOREIGN PATENT DOCUMENTS**

JP	2007-500933	1/2007
JP	3133833	7/2007

(Continued)

**OTHER PUBLICATIONS**

Streamlight, Inc., "Streamlight Jr.® Reach LED" Information, prior to Oct. 31, 2011, <http://www.streamlight.com/product/product.aspx?pid=100>, 2 pages.

(Continued)

*Primary Examiner* — Ian Simmons

*Assistant Examiner* — Carissa C Fitts

(74) *Attorney, Agent, or Firm* — Clement A. Berard, Esq.;  
Dann, Dorfman, Herrell & Skillman, PC

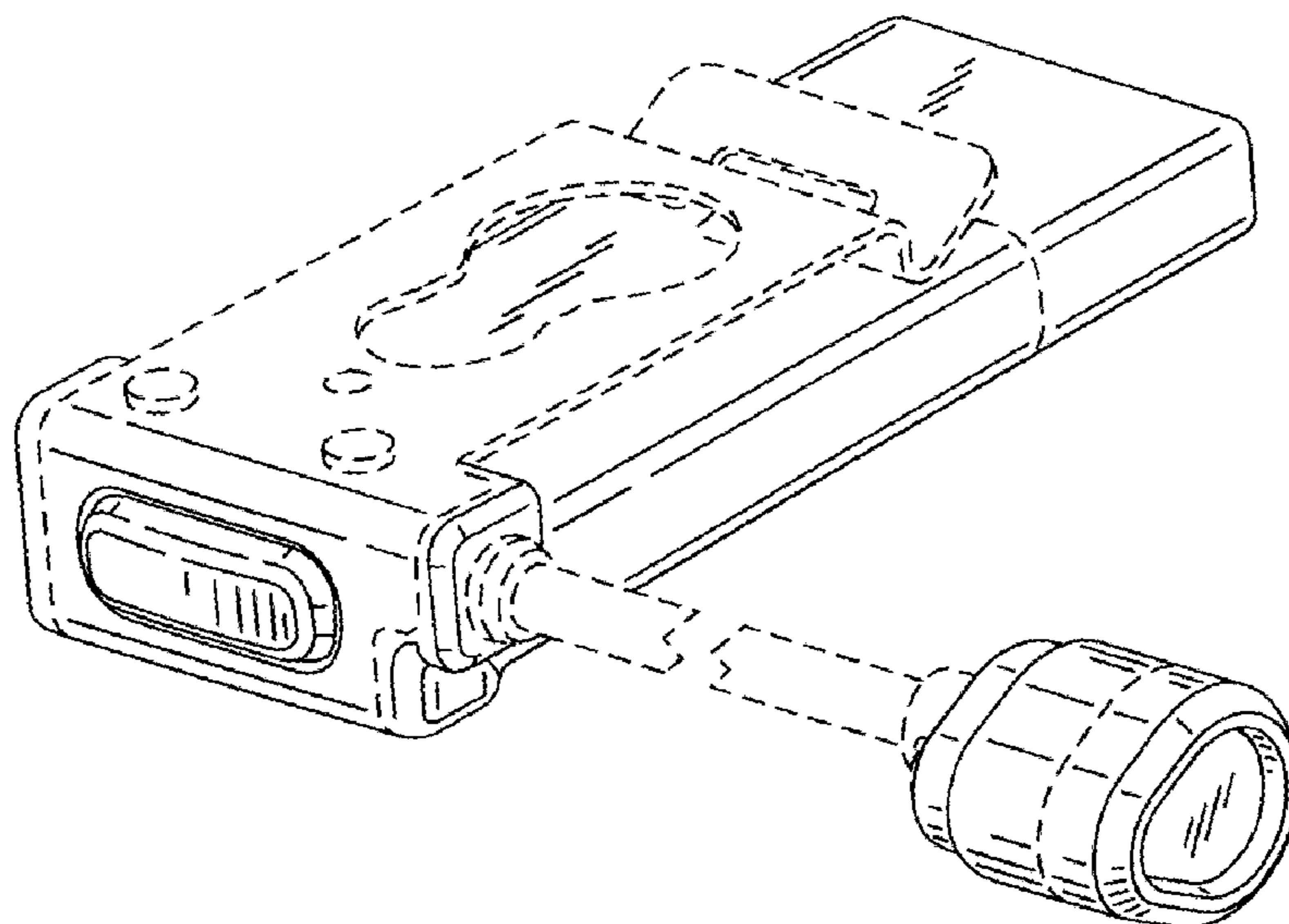
(57) **CLAIM**

The ornamental design for a portable light, as shown and described.

**DESCRIPTION**

FIG. 1 is a perspective view of an ornamental design for a portable light;  
FIG. 2 is another perspective view of the ornamental design for the portable light;  
FIG. 3 is a side view of a first side thereof;  
FIG. 4 is a side view of a second side thereof;  
FIG. 5 is a side view of a third side thereof;  
FIG. 6 is a side view of a fourth side thereof;  
FIG. 7 is an end view of a first end thereof; and,  
FIG. 8 is an end view of a second end thereof.  
Broken lines (dashed lines) in the DRAWING indicate unclaimed parts of the article that form no part of the design claimed herein, and are not part of the claimed design or of a specified embodiment thereof. A boundary indicated by broken lines (dashed lines) in the unclaimed flexible stalk does not form part of the design, and any dimension and/or character of the article between such boundary lines is not part of the design.

**1 Claim, 6 Drawing Sheets**



(56)

References Cited

U.S. PATENT DOCUMENTS

2,648,762 A 8/1953 Dunkelberger  
 2,949,612 A 8/1960 Kafko et al.  
 3,103,723 A 9/1963 Becker  
 3,111,277 A 11/1963 Grimsley  
 3,881,468 A 5/1975 Foltz  
 D268,442 S 3/1983 Darmon  
 4,406,040 A 9/1983 Cannone  
 RE31,458 E 12/1983 Trattner  
 4,448,097 A 5/1984 Rocca  
 4,495,550 A 1/1985 Visciano  
 D281,820 S \* 12/1985 Oba et al. .... D26/43  
 D283,645 S 4/1986 Tanaka  
 D296,827 S 7/1988 Yuen  
 D302,325 S 7/1989 Charet et al.  
 D306,212 S 2/1990 Holterscheidt  
 5,050,053 A 9/1991 McDermott  
 D328,144 S 7/1992 Yuen  
 5,154,483 A 10/1992 Zeller  
 D332,839 S 1/1993 Beckner, Jr.  
 5,197,796 A 3/1993 Moore  
 D341,220 S 11/1993 Eagan  
 D344,358 S 2/1994 Yuen  
 D349,776 S 8/1994 Yuen  
 5,369,556 A 11/1994 Zeller  
 5,410,457 A 4/1995 Parker  
 D362,313 S \* 9/1995 Zeller ..... D26/43  
 D364,935 S 12/1995 deBlois  
 D374,734 S 10/1996 Esposito  
 5,571,279 A 11/1996 Chiang  
 D377,989 S 2/1997 Marvin et al.  
 D378,858 S 4/1997 Kaiser  
 5,615,945 A 4/1997 Tseng  
 D379,540 S 5/1997 Szymanski  
 D379,541 S 5/1997 Kaiser  
 D379,542 S 5/1997 Egashira  
 D380,061 S 6/1997 Swyst  
 D380,844 S 7/1997 Kaiser  
 D381,101 S 7/1997 Haberstich et al.  
 D381,445 S 7/1997 Linnane  
 D381,446 S 7/1997 Kaiser  
 D381,447 S 7/1997 Haberstich et al.  
 D382,075 S 8/1997 Swyst  
 D383,231 S 9/1997 Kaiser  
 D385,637 S 10/1997 Rombough  
 D387,454 S 12/1997 Kaiser  
 5,707,137 A 1/1998 Hon  
 D390,985 S \* 2/1998 Shiao ..... D26/43  
 5,716,121 A 2/1998 Dubois  
 5,717,276 A 2/1998 Hsu  
 D392,758 S 3/1998 Cedarberg, III  
 D394,721 S 5/1998 Santarsiero  
 D403,453 S 12/1998 Shiao  
 D413,993 S 9/1999 Yuen  
 5,975,712 A 11/1999 Shiao  
 D418,235 S 12/1999 Houplain  
 D418,240 S 12/1999 Sherman  
 6,000,809 A 12/1999 Belo  
 6,004,004 A 12/1999 Altman et al.  
 6,007,214 A 12/1999 Shiao  
 6,022,119 A 2/2000 Booty, Jr.  
 D425,642 S 5/2000 Zeller  
 6,142,644 A 11/2000 Leung  
 D435,679 S 12/2000 Naghi et al.  
 6,213,618 B1 4/2001 Dobbin et al.  
 6,280,050 B1 8/2001 Bird et al.  
 6,469,619 B1 10/2002 Mayercheck et al.  
 D479,888 S 9/2003 Sharrah et al.  
 6,680,844 B2 1/2004 Kim  
 6,718,136 B2 4/2004 Bird et al.  
 D489,839 S 5/2004 Opolka  
 6,764,202 B1 7/2004 Herring et al.  
 6,808,289 B2 10/2004 Reed  
 6,874,908 B2 4/2005 Sharrah et al.  
 6,905,223 B2 6/2005 Halasz  
 6,953,259 B2 \* 10/2005 Parsons et al. .... 362/191

6,953,260 B1 10/2005 Allen  
 D518,212 S 3/2006 Shiu  
 D518,584 S 4/2006 Chan  
 7,021,783 B2 4/2006 Quittner  
 7,033,036 B2 4/2006 Pederson  
 7,048,403 B2 5/2006 Parker et al.  
 D536,116 S \* 1/2007 Sharrah ..... D26/43  
 D548,384 S 8/2007 Komar  
 D549,379 S 8/2007 Sharrah et al.  
 7,306,348 B2 12/2007 Quittner  
 7,435,508 B2 10/2008 Lee et al.  
 D589,186 S 3/2009 Coushaine et al.  
 7,497,584 B1 3/2009 Quittner  
 7,497,591 B1 \* 3/2009 Bix et al. .... 362/231  
 7,513,662 B2 4/2009 Parker et al.  
 7,549,766 B2 6/2009 Sharrah  
 D595,875 S 7/2009 Irvine  
 7,581,847 B2 9/2009 Dalton  
 D611,629 S 3/2010 Sharrah et al.  
 7,802,909 B2 9/2010 Baker  
 7,862,193 B1 1/2011 Quittner  
 D634,044 S 3/2011 Eichelberger et al.  
 7,984,998 B1 7/2011 Quittner  
 D645,179 S 9/2011 Gulker  
 D647,229 S 10/2011 Ma  
 8,066,396 B2 11/2011 Hunt  
 D650,933 S 12/2011 Cheng  
 D653,798 S 2/2012 Janice et al.  
 D655,433 S 3/2012 Levine  
 D659,898 S 5/2012 Aaskov et al.  
 D663,876 S \* 7/2012 Tomita et al. .... D26/37  
 D666,756 S \* 9/2012 Kani et al. .... D26/37  
 D667,404 S 9/2012 Akana et al.  
 8,282,233 B2 10/2012 Quittner  
 D673,710 S 1/2013 Eichelberger  
 D674,478 S \* 1/2013 Inoue ..... D24/107  
 8,403,515 B2 3/2013 Eichelberger et al.  
 8,511,847 B2 8/2013 Sharrah et al.  
 8,657,459 B2 2/2014 Janice et al.  
 D714,278 S \* 9/2014 Case et al. .... D14/250  
 8,888,311 B2 11/2014 Parsons  
 9,057,490 B2 6/2015 Sharrah et al.  
 9,206,951 B2 12/2015 McLennan et al.  
 2002/0191396 A1 12/2002 Reiff et al.  
 2003/0112624 A1 6/2003 Quittner  
 2005/0007778 A1 1/2005 Lin  
 2005/0041428 A1 2/2005 Zhang  
 2005/0231941 A1 10/2005 Huang  
 2007/0030672 A1 2/2007 Offiler  
 2007/0115672 A1 5/2007 Nelson et al.  
 2007/0159809 A1 7/2007 Kim et al.  
 2007/0159810 A1 7/2007 Kim  
 2007/0171629 A1 7/2007 Langenwalter  
 2008/0316736 A1 12/2008 Hunnewell et al.  
 2009/0290335 A1 11/2009 Levine  
 2010/0002421 A1 1/2010 Arnold, III  
 2010/0033960 A1 2/2010 Levine  
 2010/0046211 A1 2/2010 Spartano  
 2010/0165609 A1 7/2010 Sohn  
 2010/0165633 A1 7/2010 Moolman et al.  
 2010/0301779 A1 12/2010 Spartano et al.  
 2010/0330843 A1 12/2010 Gao et al.  
 2012/0033414 A1 2/2012 Sharrah et al.  
 2012/0195025 A1 8/2012 Gerolemou  
 2013/0335954 A1 12/2013 Sharrah et al.  
 2014/0240967 A1 8/2014 Sharrah et al.  
 2015/0029706 A1 1/2015 Parsons

FOREIGN PATENT DOCUMENTS

JP 2008-269974 11/2008  
 WO WO2004/111530 12/2004  
 WO WO2008/094013 8/2008

OTHER PUBLICATIONS

Streamlight, Inc., "Streamlight Jr.® Reach LED Flashlight", Jan. 2012, 1 pg.

(56)

**References Cited**

## OTHER PUBLICATIONS

Streamlight, Inc., “Streamlight Jr.® Reach LED Product Fact Sheet”, Dec. 21, 2011, Document #247, 1 page.  
 Eveready Lighting products, Catalog, Spring 1983, 24 Pages.  
 Promo-lite Brochure, published before May 2007, 4 Pages.  
 Stuart Schneider, “Collecting Flashlight With Value Guide”, Schiffer Publishing Ltd, 1996, 22 Pages.  
 Raymond L. Sharrah, et al., “Portable Light”, Design U.S. Appl. No. 29/398,479, filed Aug. 1, 2011, 9 pages.  
 Pelican Products, “2270 VersaBrite II Flashlight”, date prior to Dec. 20, 2013, 1 page, <http://www.pelican-cases-flashlights.com/2270-pelican-versabrite-ii.htm>.  
 Pelican Products, “VersaBrite 2250/Deluxe Version 2250 C Instructions”, © 2010, 2 pages.  
 Streamlight, Inc., “Stylus Reach Alkaline Battery-Powered Pen Light”, Apr. 2012, 1 pg.  
 Streamlight, Inc., “Stylus Reach”, © 2014, 1 pg, <http://www.streamlight.com/en-gb/product/product.html?pid=53#>.  
 Princeton Tec, “Charge—MPLS Specifications”, printed Dec. 3, 2015, 6 pages (pp. 5-6, © 2011), <http://princetontec.com/charge-mpls>.  
 SureFire, LLC, “Headlamps”, <http://www.surefire.com/headlamps>, © 2010, 3 pages.  
 Underwater Kinetics, “Vizion eLED—Waterproof LED Headlamp”, © 2007, 1 page.  
 Lab Safety Supply, “Bright Star® WorkSafe® Razor Zone Zero Flashlight”, © 2011 GHC Specialty Brands, LLC, [www.labsafety.com/bright-star-worksafe-razor-zone-zero-flashlight\\_24535811](http://www.labsafety.com/bright-star-worksafe-razor-zone-zero-flashlight_24535811), 2 pages.  
 Global Stores Group Industrial & Safety Division, “Bright Star Razor LED Flashlights”, © 2006, [www.allsafetysupplies.com/bright-star-razor-LED-flashlights\\_p\\_14674](http://www.allsafetysupplies.com/bright-star-razor-LED-flashlights_p_14674), 2 pages.

Bright Star, “Product Data Sheet: Razor 3AA-cell LED Flashlight”, date prior to May 5, 2011, 1pg.

Cat Eye Co., Ltd., “Headlights”, <http://www.cateye.com/en/product> . . . , © 2010, 23 pages.

International Searching Authority/US, “International Search Report—Application No. PCT/US2011/046119”, Dec. 12, 2011, 2 pages.

USPTO, “Notice of References Cited (PTO-892) U.S. Appl. No. 29/367,099”, mail date Dec. 12, 2012, 1 page.

Amazon.com, “ASP Triad USB LED Flashlight 35625”, Printed on or about Sep. 9, 2014, 4 pages, <http://www.amazon.com/ASP-Triad-USB-flashlight-35625/dp/B00AQ1RBPk>.

Japanese Patent Office, “Notice of Reasons for Refusal—JP Patent Application No. 2013-523244”, Oct. 28, 2014, including English Translation, 6 pages.

European Patent Office, “Supplementary European Search Report—EP Patent Application No. 11815134.9”, Dec. 1, 2014, 8 pages.

PCT International Searching Authority, “Notification of Transmittal of the International Search Report and the Written Opinion of the International Searching Authority, or the Declaration”, in PCT/US2014/070334, Mar. 16, 2015, 11 pages.

Streamlight, Inc., “Rechargeable Clip-On Light With Male USB Connector”, U.S. Appl. No. 14/135,803, filed Dec. 20, 2013, 44 pages.

Armament Systems and Procedures, “Triad USB—Micro USB Rechargeable LED Light”, Press Release, Aug. 16, 2012, 2 pages, <http://www.asp-usa.com/press-releases/triad-usb-micro-usb-rechargeable-led-light.html>.

Light Reviewers, “NexTorch myTorch (18650) Review”, Feb. 2011, 21 pages, <http://lightreviewers.com/2011/02/nextorch-18650-review.html>.

\* cited by examiner

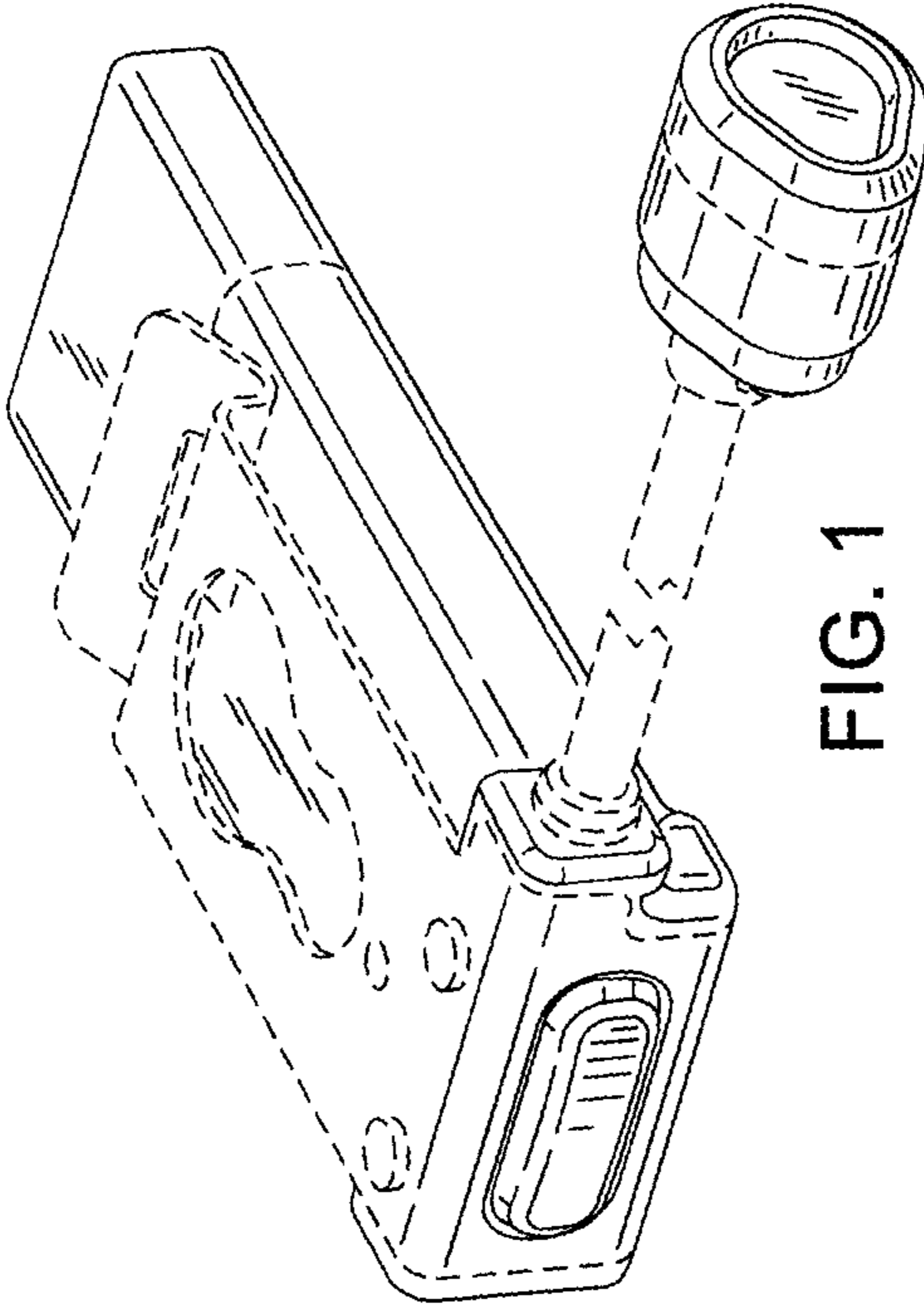


FIG. 1

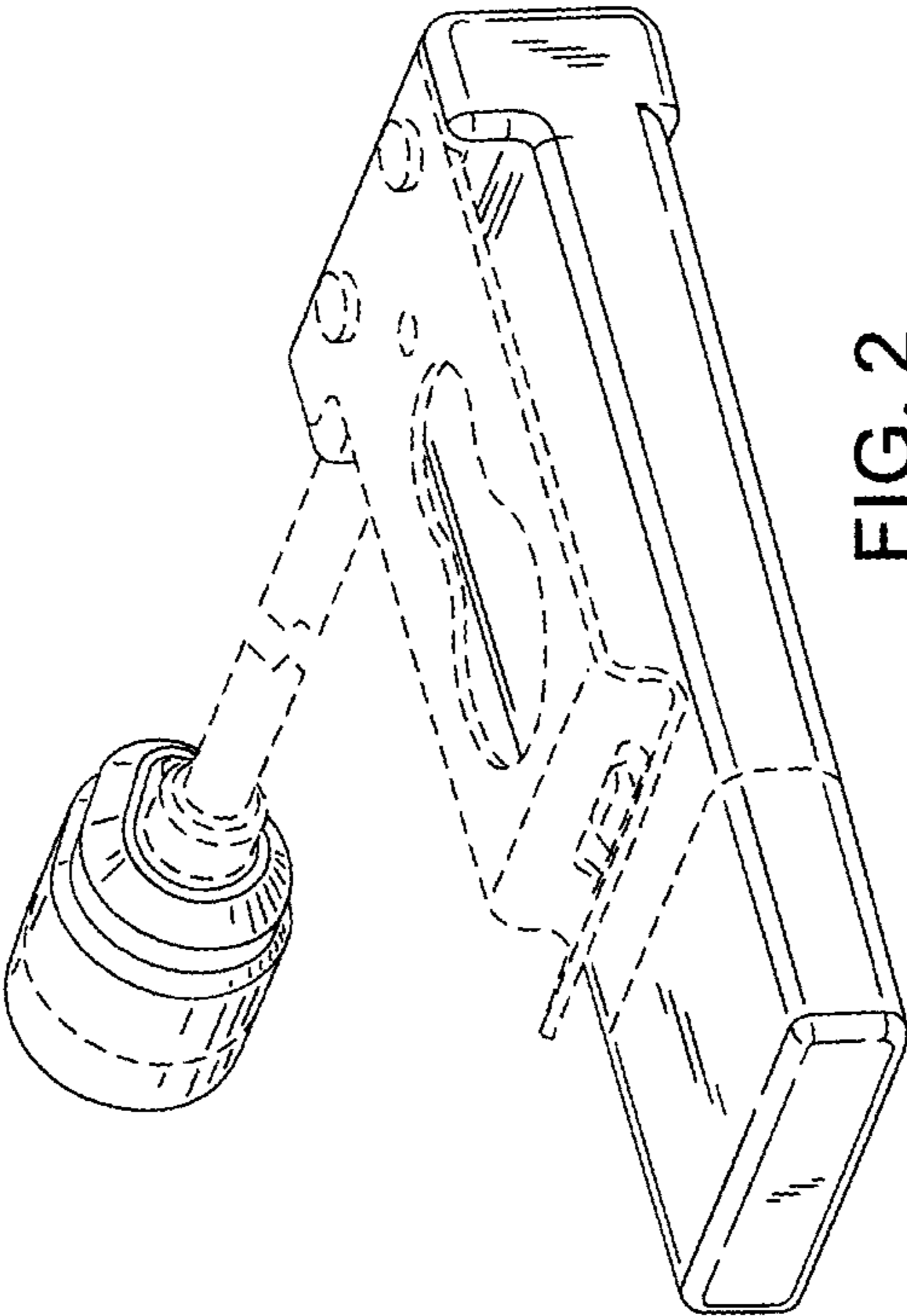


FIG. 2

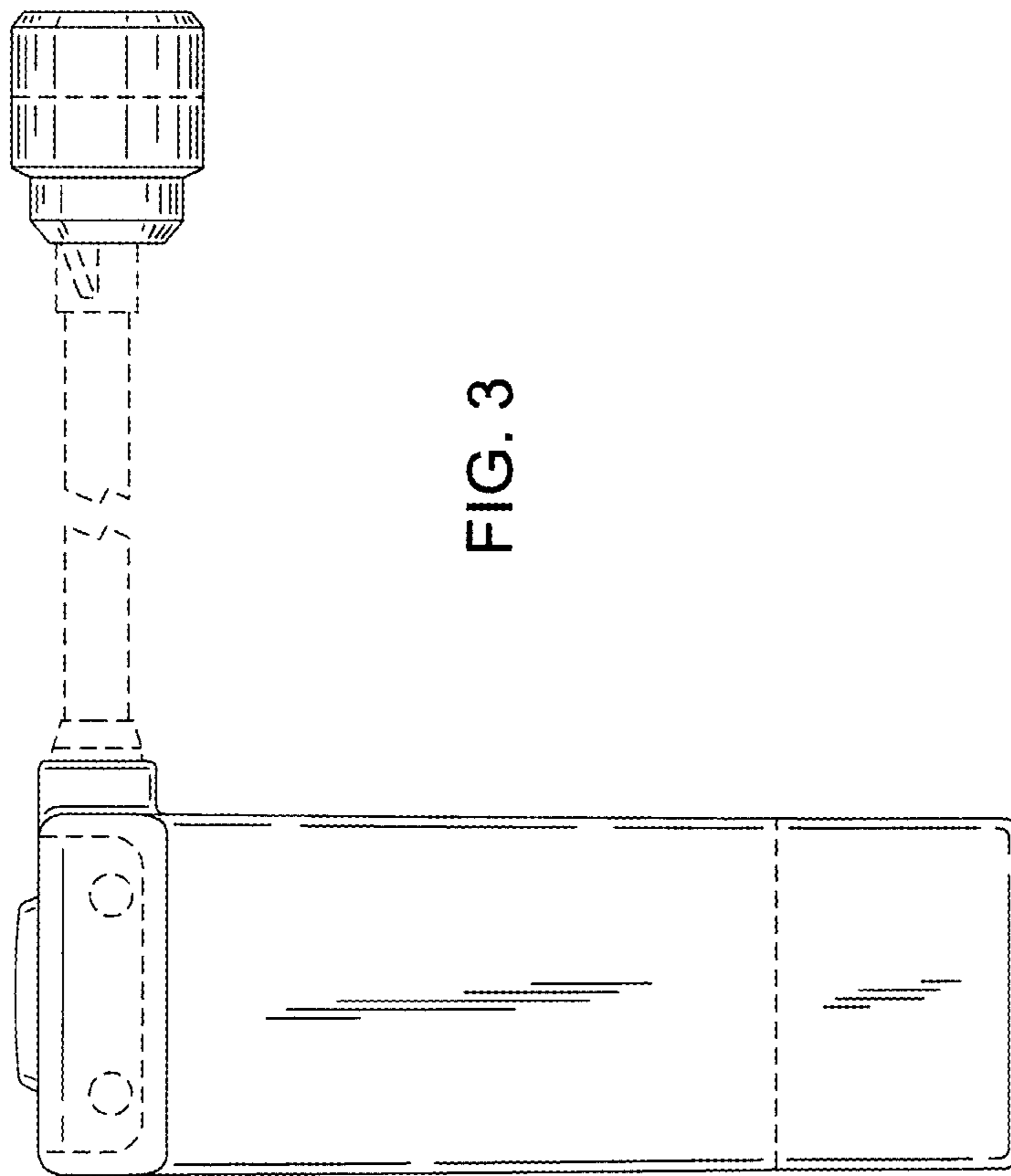


FIG. 3

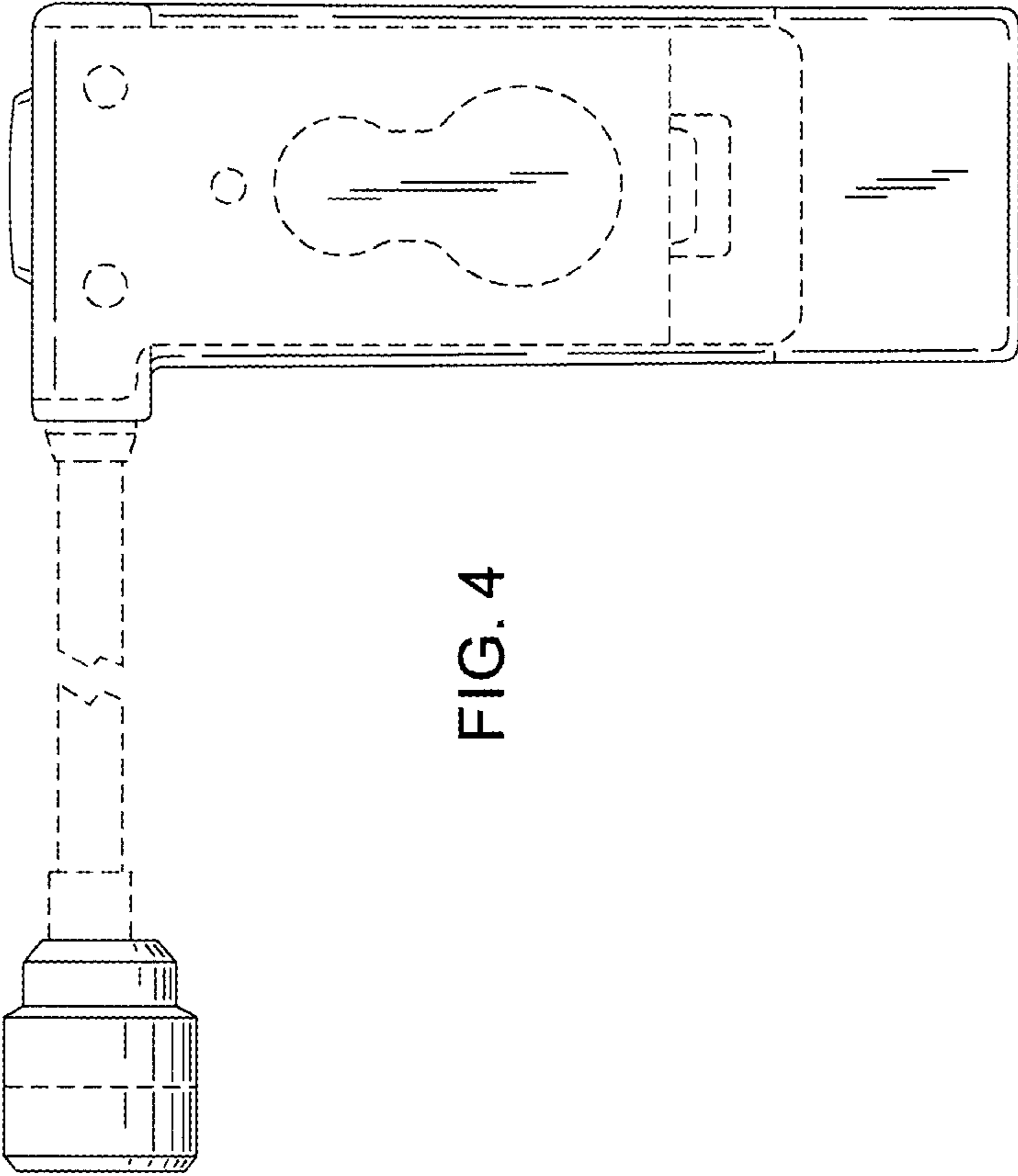


FIG. 4

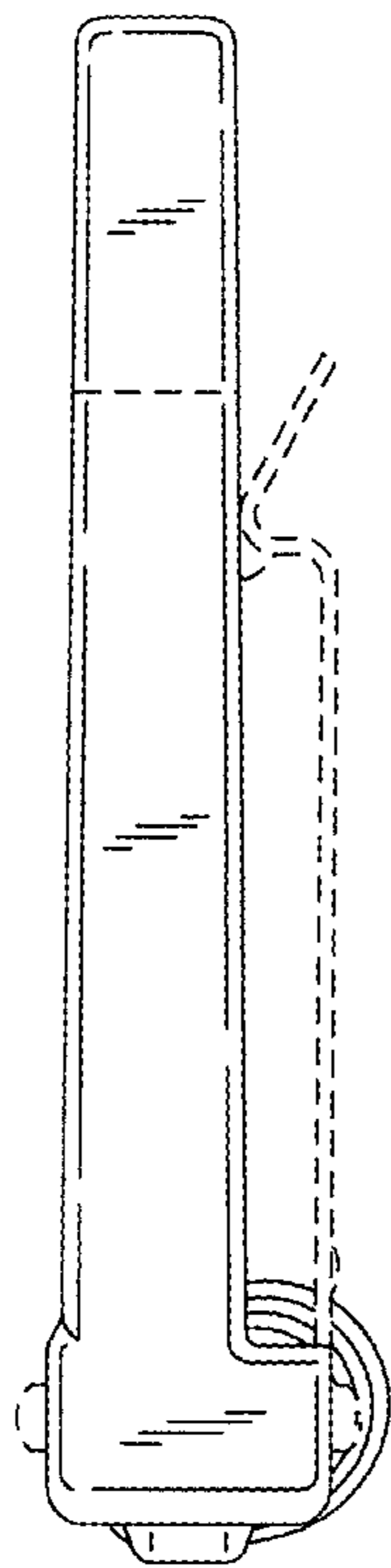


FIG. 5

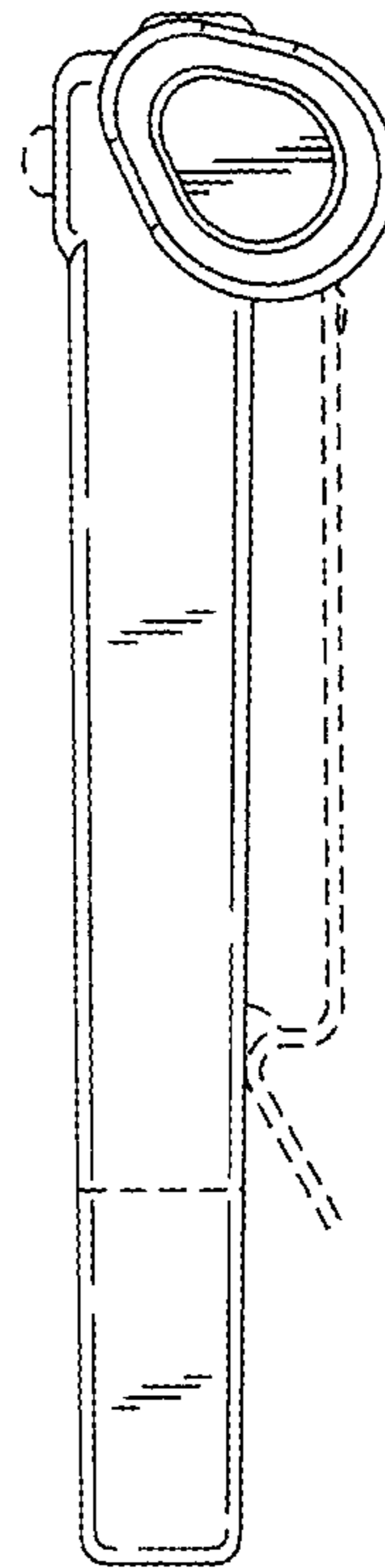


FIG. 6



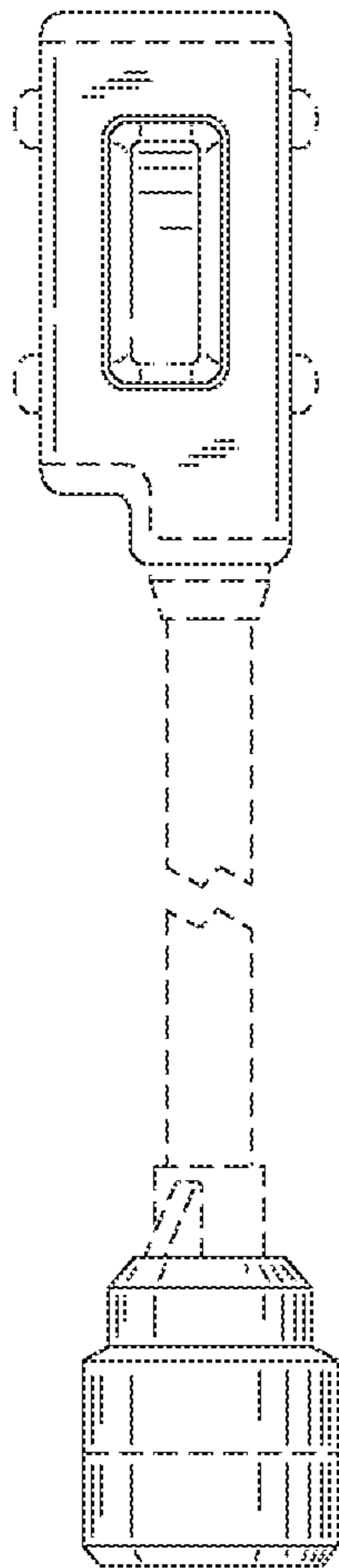


FIG. 7



FIG. 8