



US00D782714S

(12) **United States Design Patent**  
**Nishii et al.**

(10) **Patent No.:** **US D782,714 S**

(45) **Date of Patent:** **\*\* Mar. 28, 2017**

(54) **FRONT COMBINATION LAMP FOR AN AUTOMOBILE**

(71) Applicant: **Fuji Jukogyo Kabushiki Kaisha**,  
Tokyo (JP)

(72) Inventors: **Takatoshi Nishii**, Tokyo (JP);  
**Kentarou Fuchino**, Tokyo (JP)

(73) Assignee: **Fuji Jukogyo Kabushiki Kaisha**,  
Tokyo (JP)

(\*\*) Term: **15 Years**

(21) Appl. No.: **29/555,989**

(22) Filed: **Feb. 26, 2016**

(30) **Foreign Application Priority Data**

Aug. 26, 2015 (JP) ..... 2015-018713

(51) **LOC (10) Cl.** ..... **26-06**

(52) **U.S. Cl.**  
USPC ..... **D26/28**

(58) **Field of Classification Search**  
USPC ..... D26/28-36; 362/80-83, 267-269,  
362/459-468, 475-478, 485-487  
CPC ..... F21S 48/00; F21S 48/10; F21S 48/115;  
F21S 48/225; F21S 48/1233; F21S  
48/1266; F21S 48/1388; F21S 48/2268;  
F21V 21/04

See application file for complete search history.

(56) **References Cited**

**U.S. PATENT DOCUMENTS**

D528,685 S \* 9/2006 Yoshida ..... D26/28  
D544,114 S \* 6/2007 Ohta ..... D26/28

D560,291 S \* 1/2008 Koyama ..... D26/28  
D561,358 S \* 2/2008 Tachibana ..... D26/28  
D597,232 S \* 7/2009 Hanaoka ..... D26/28  
D726,353 S \* 4/2015 Yagihashi ..... D26/28  
D726,941 S \* 4/2015 Kato ..... D26/28  
D728,133 S \* 4/2015 Bieling ..... D26/28

\* cited by examiner

*Primary Examiner* — Marcus Jackson

(74) *Attorney, Agent, or Firm* — Schiff Hardin LLP

(57) **CLAIM**

We claim the ornamental design for a front combination lamp for an automobile thereof, as shown and described.

**DESCRIPTION**

The patent or application file contains at least one drawing executed in color. Copies of this patent or patent application publication with color drawing(s) will be provided by the Office upon request and payment of the necessary fee.

FIG. 1 is a front perspective view for a “front combination lamp for an automobile” showing my new design,

FIG. 2 is a front view thereof,

FIG. 3 is a rear view thereof,

FIG. 4 is a top view thereof,

FIG. 5 is a bottom view thereof,

FIG. 6 is a left-side view thereof,

FIG. 7 is a right-side view thereof; and,

FIG. 8 is a perspective view of a second embodiment thereof, wherein the only difference resides in the translucent lens.

**1 Claim, 8 Drawing Sheets**  
**(1 of 8 Drawing Sheet(s) Filed in Color)**

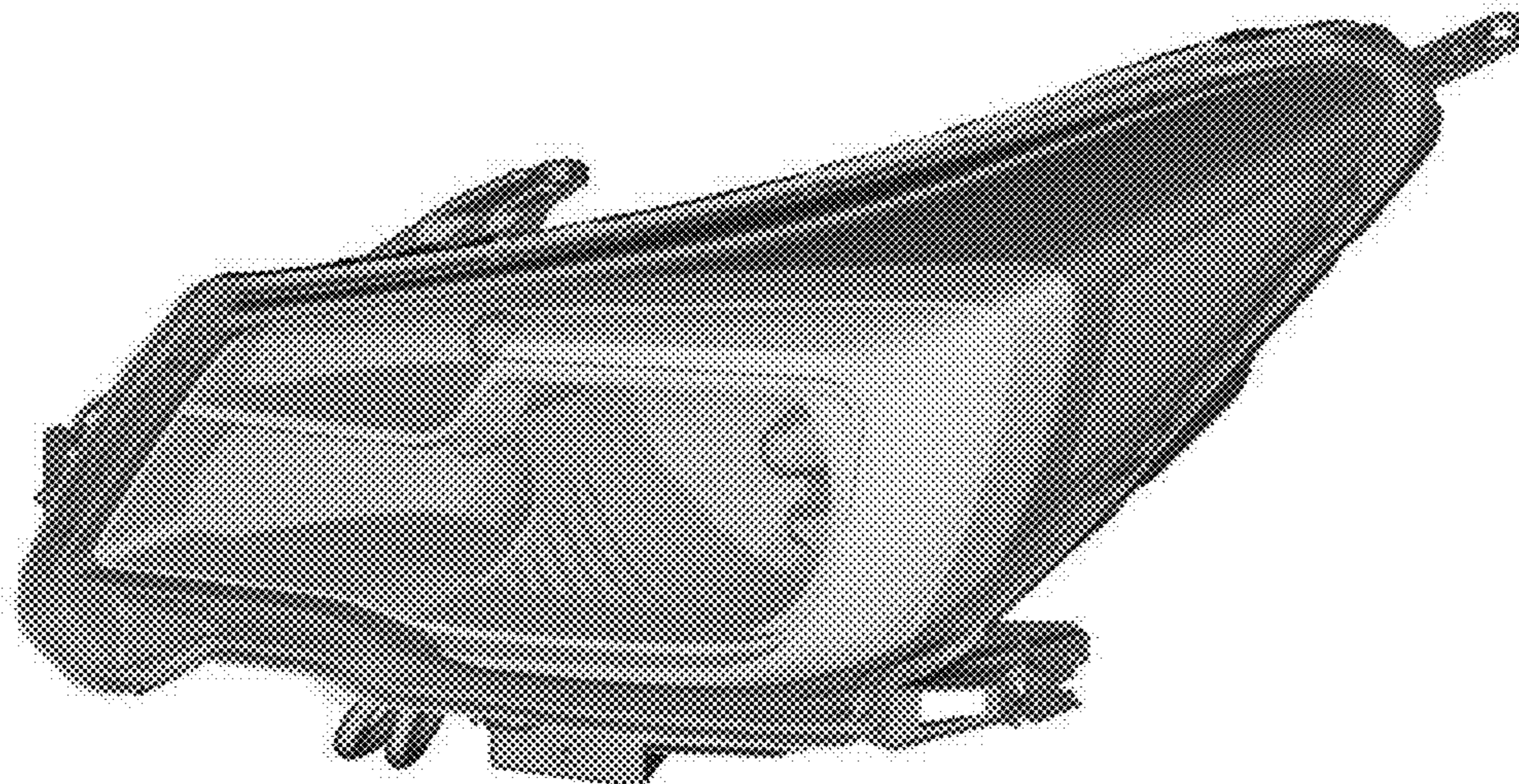


Fig. 1

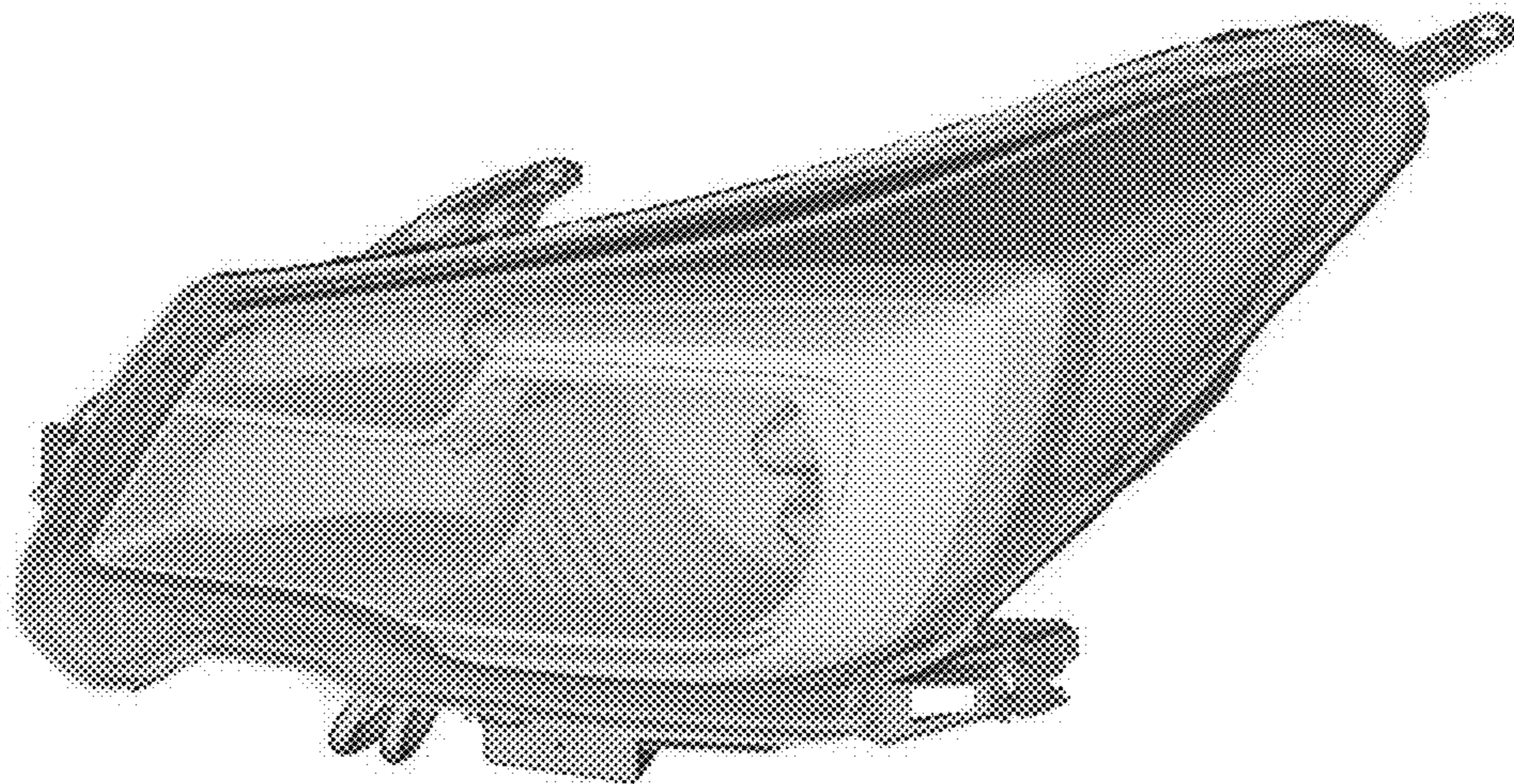


Fig. 2

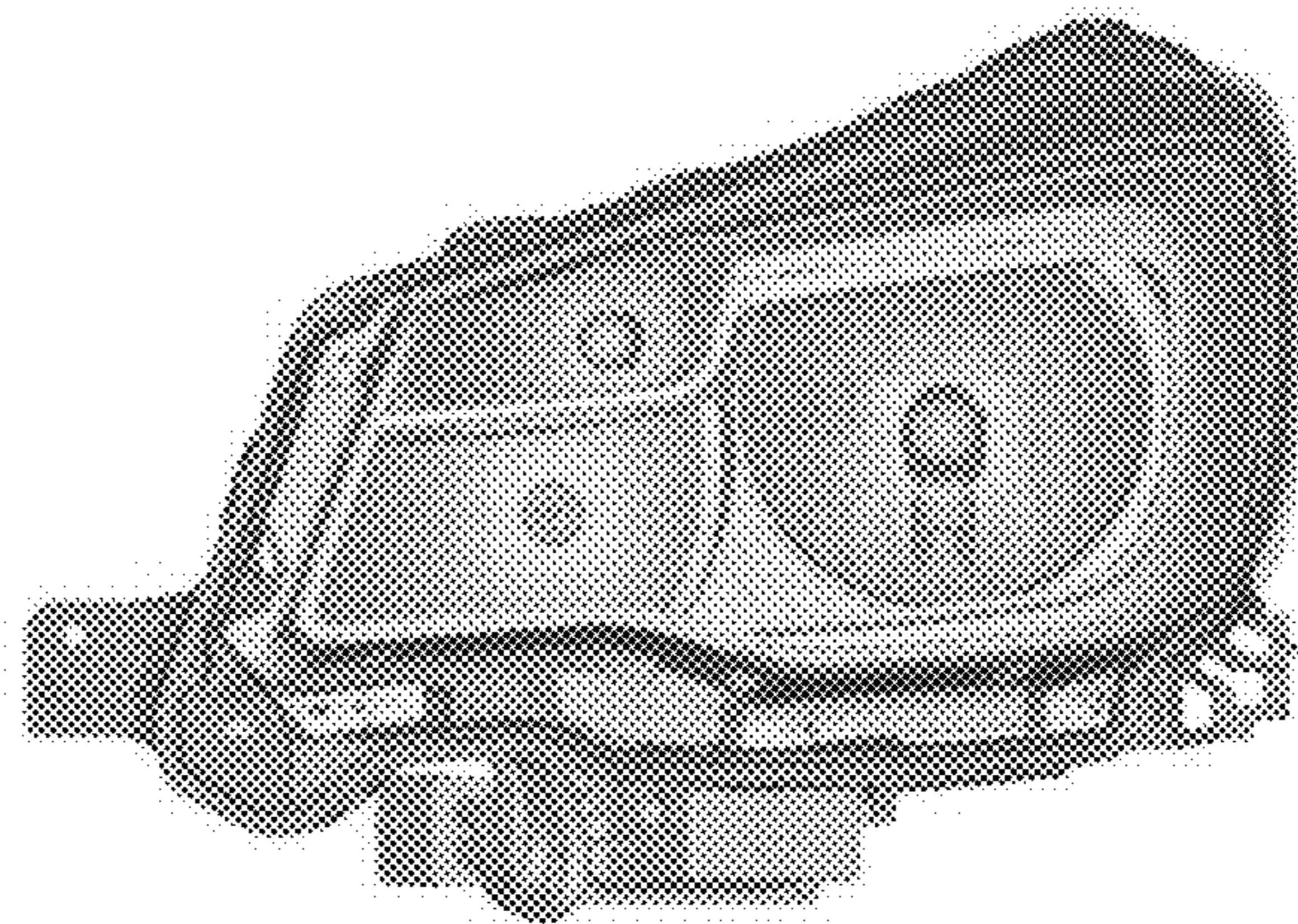


Fig. 3

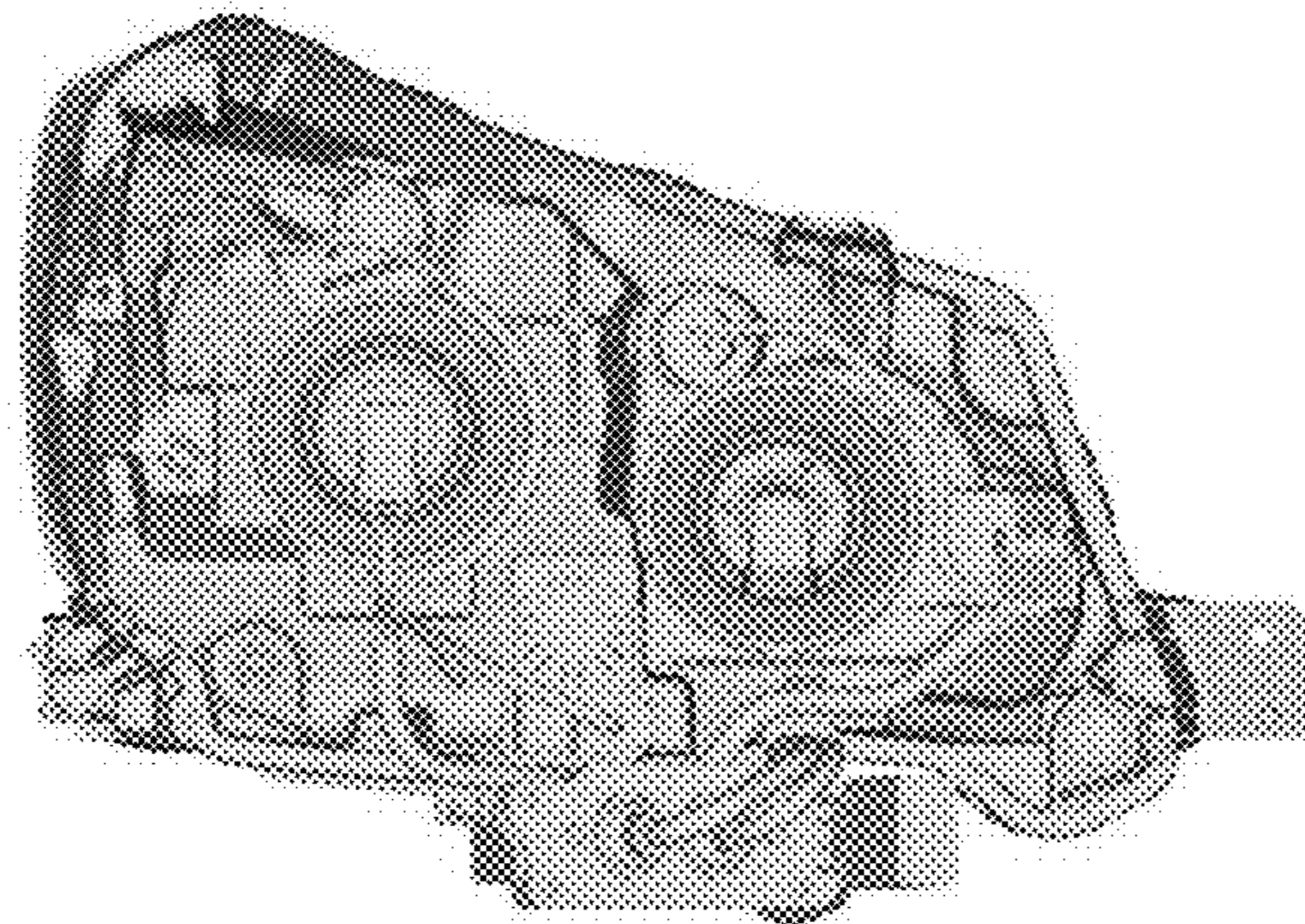


Fig. 4

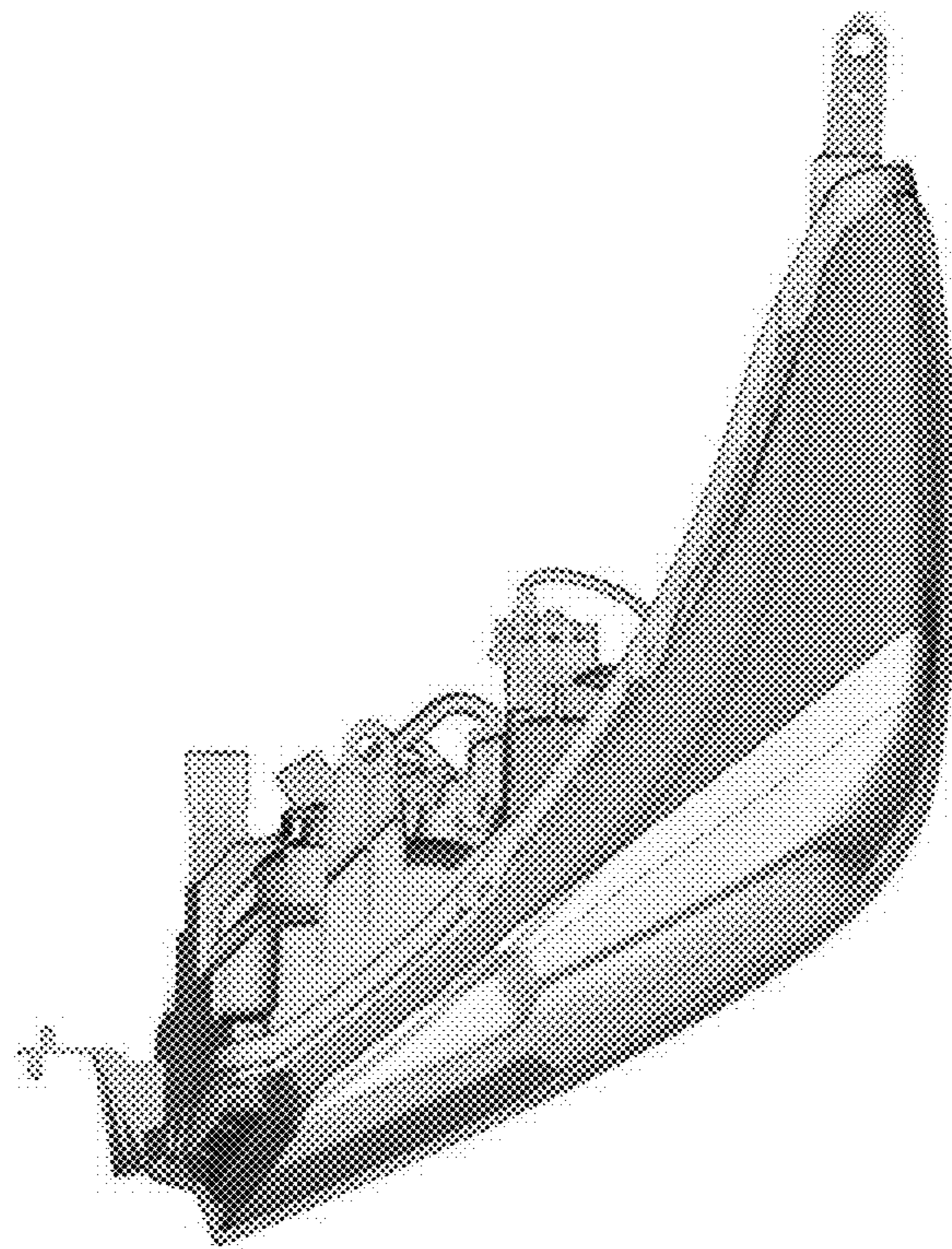


Fig. 5

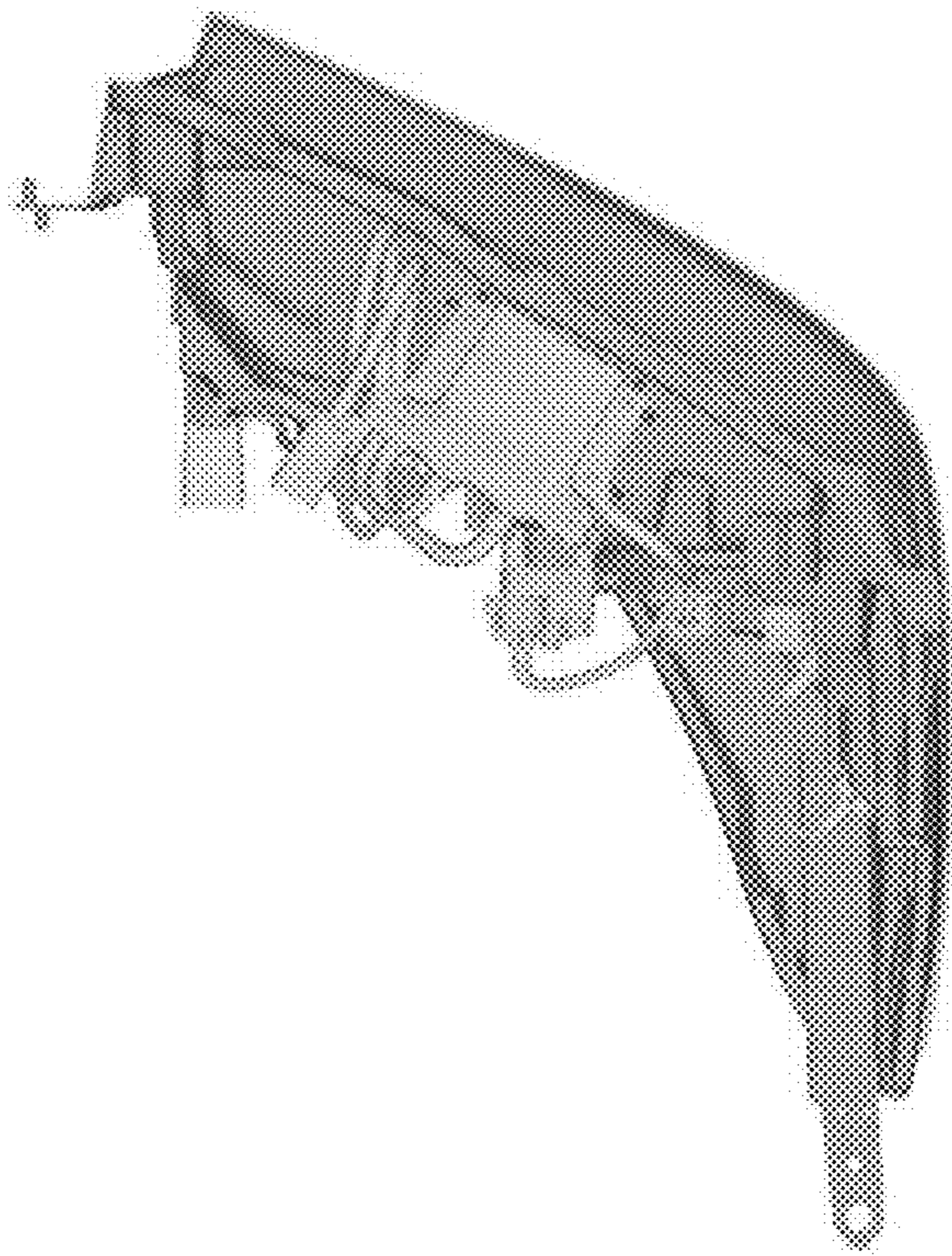


Fig. 6

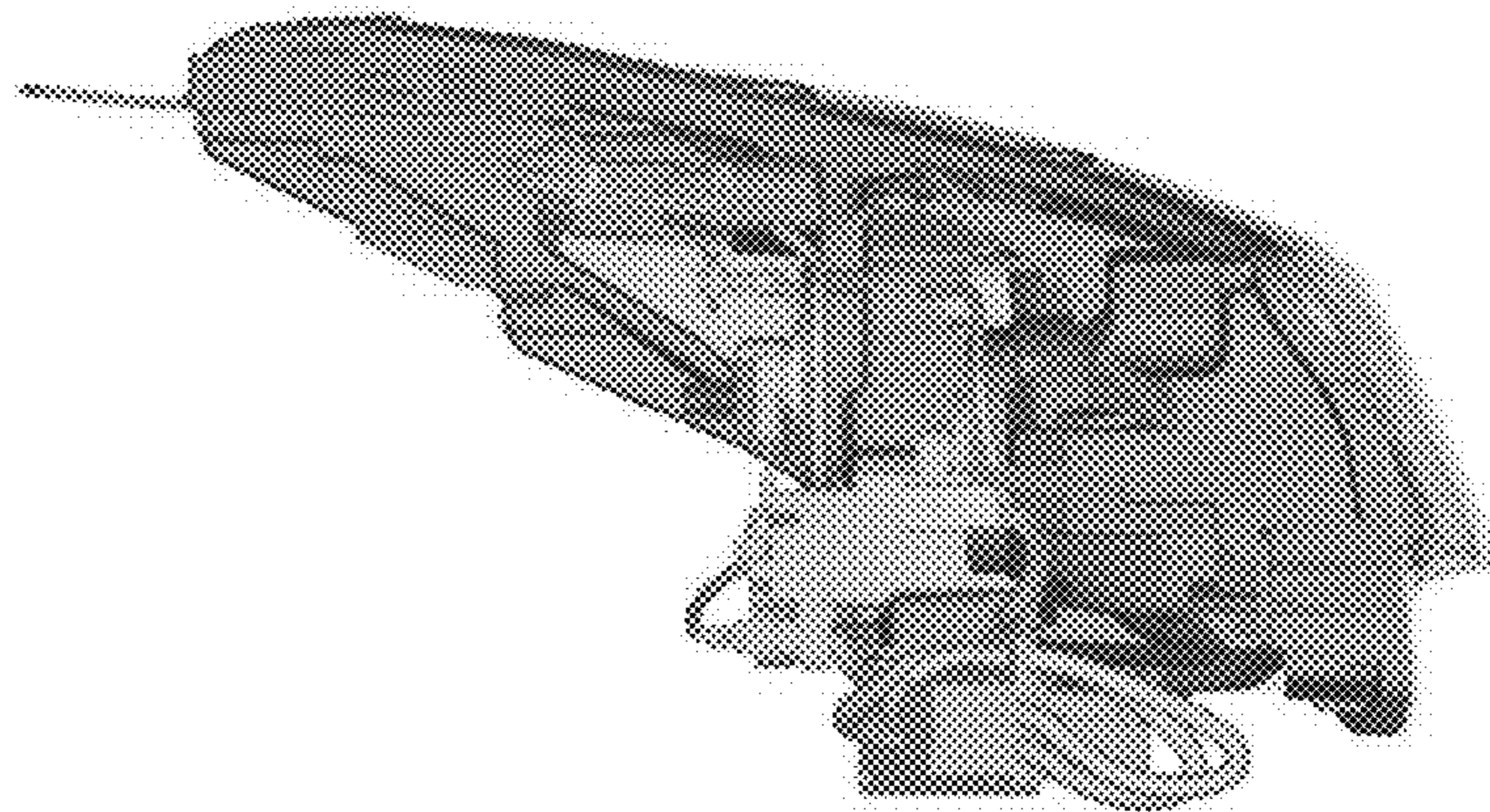


Fig. 7

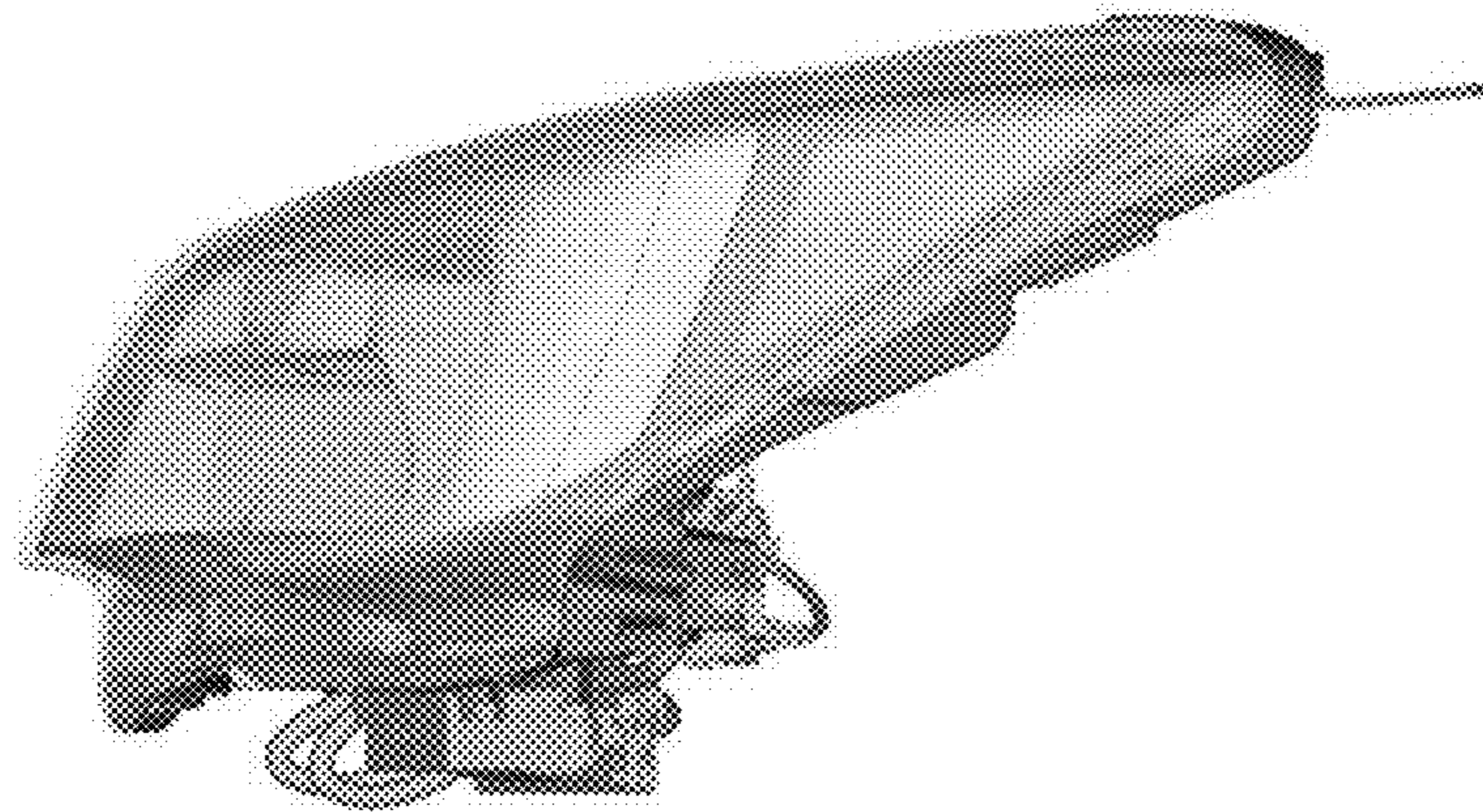




Fig. 8

