



US00D782711S

(12) **United States Design Patent**
Dunshee et al.

(10) **Patent No.:** **US D782,711 S**
(45) **Date of Patent:** **** Mar. 28, 2017**

(54) **HEADLIGHT FOR FOUR-WHEELED VEHICLE**

(71) Applicant: **HONDA MOTOR CO., LTD.**, Tokyo (JP)

(72) Inventors: **Erik Dunshee**, Torrance, CA (US); **Jun Tomiyama**, Wako (JP)

(73) Assignee: **HONDA MOTOR CO., LTD.**, Tokyo (JP)

(**) Term: **14 Years**

(21) Appl. No.: **29/523,056**

(22) Filed: **Apr. 6, 2015**

(51) **LOC (10) Cl.** **26-07**

(52) **U.S. Cl.**
USPC **D26/28**

(58) **Field of Classification Search**
USPC D26/28-36; 362/459-468, 475-478, 362/485-487

CPC F21S 48/00; F21S 48/10; F21S 48/115; F21S 48/225; F21S 48/1233; F21S 48/1266; F21S 48/1388; F21S 48/2268; F21V 21/04

See application file for complete search history.

(56) **References Cited**

U.S. PATENT DOCUMENTS

D349,167 S * 7/1994 Uchida D26/28
D552,768 S * 10/2007 Leclercq D26/28
D570,015 S * 5/2008 Hsu D26/28

D677,813 S * 3/2013 Hanaoka D26/28
D711,024 S * 8/2014 Kuwano D26/28
D735,910 S * 8/2015 Chang D26/28
D742,042 S * 10/2015 Li D26/28
D752,780 S * 3/2016 Hall D26/28
D755,421 S * 5/2016 Alemany D26/28
D758,624 S * 6/2016 Largent D26/28
D759,272 S * 6/2016 Fan D26/28
D760,932 S * 7/2016 Huang D26/28
D761,978 S * 7/2016 Lai D26/28

* cited by examiner

Primary Examiner — Angela J Lee

(74) *Attorney, Agent, or Firm* — Birch, Stewart, Kolasch & Birch, LLP

(57) **CLAIM**

The ornamental design for a headlight for four-wheeled vehicle, as shown and described.

DESCRIPTION

FIG. 1 is a perspective view from the front right side of a first embodiment of a headlight for four-wheeled vehicle. FIG. 2 is a perspective view from the front left side thereof. FIG. 3 is a perspective view from the rear right side thereof. FIG. 4 is a perspective view from the rear left side thereof. FIG. 5 is a front elevation view thereof. FIG. 6 is a rear elevation view thereof. FIG. 7 is a right side elevation view thereof. FIG. 8 is a left side elevation view thereof. FIG. 9 is a top plan view thereof; and, FIG. 10 is a bottom plan view thereof.

The broken lines shown in the drawings illustrate portions of the headlight that form no part of the claimed design.

1 Claim, 10 Drawing Sheets

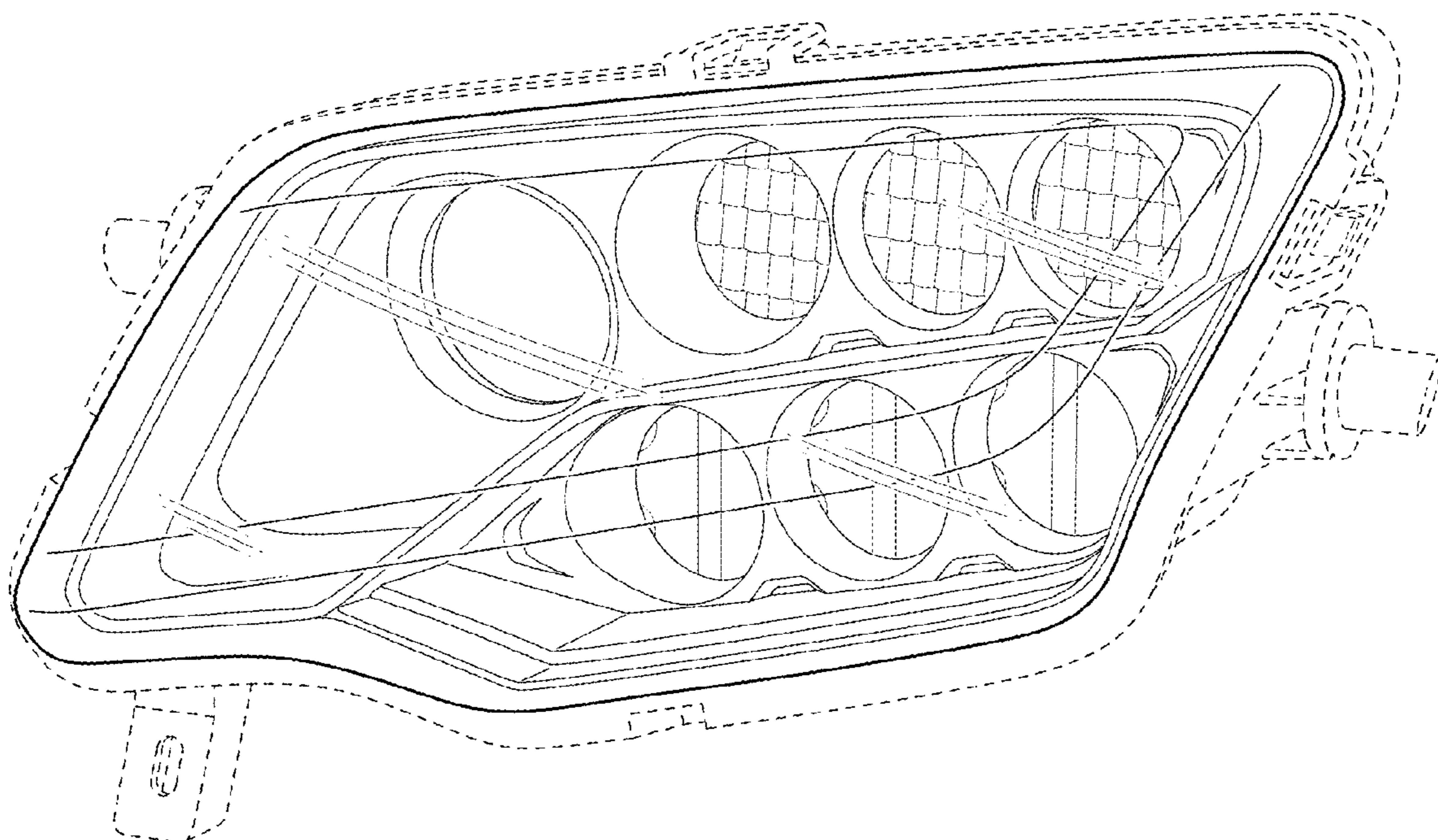


FIG. 1

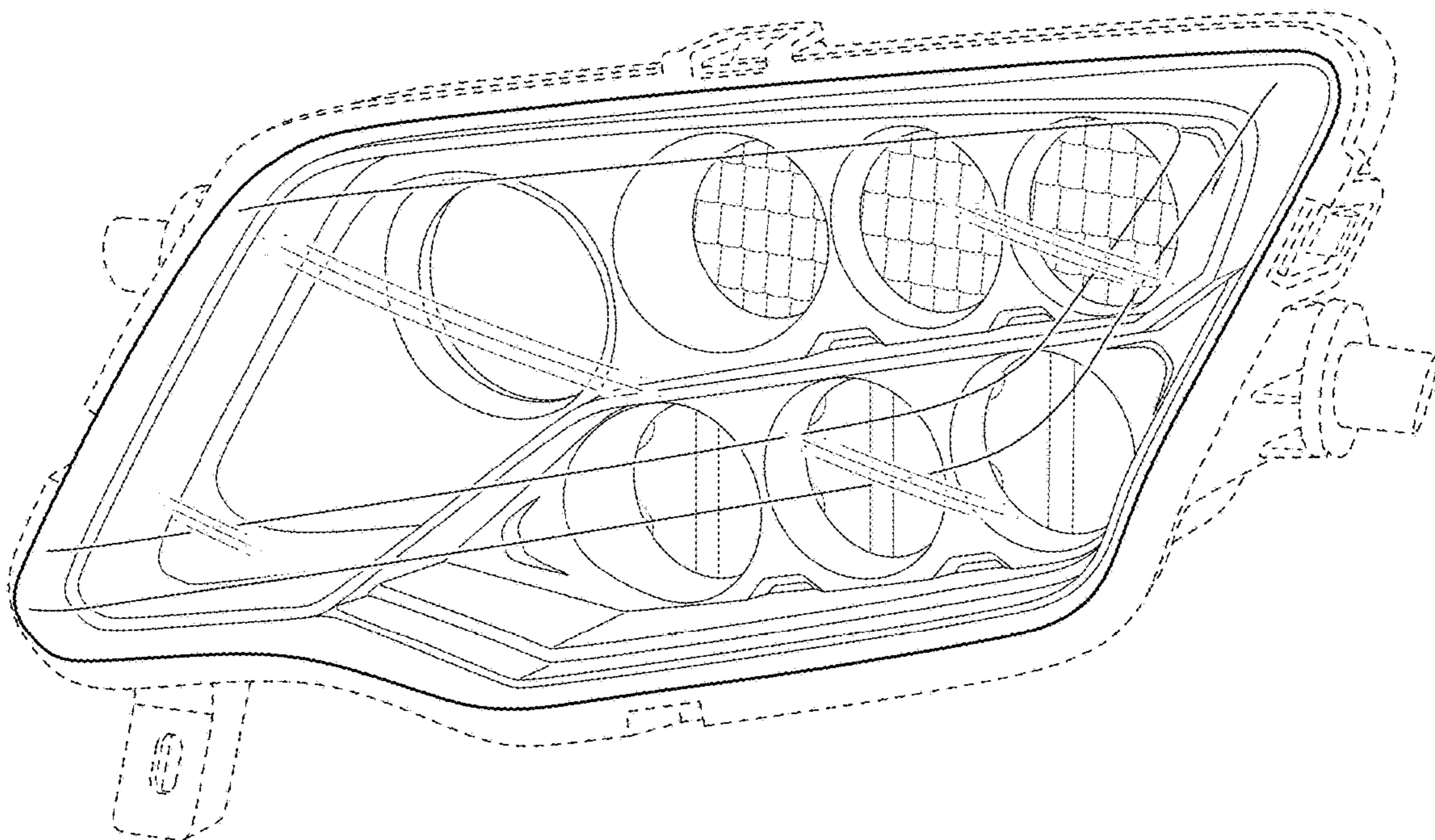


FIG. 2

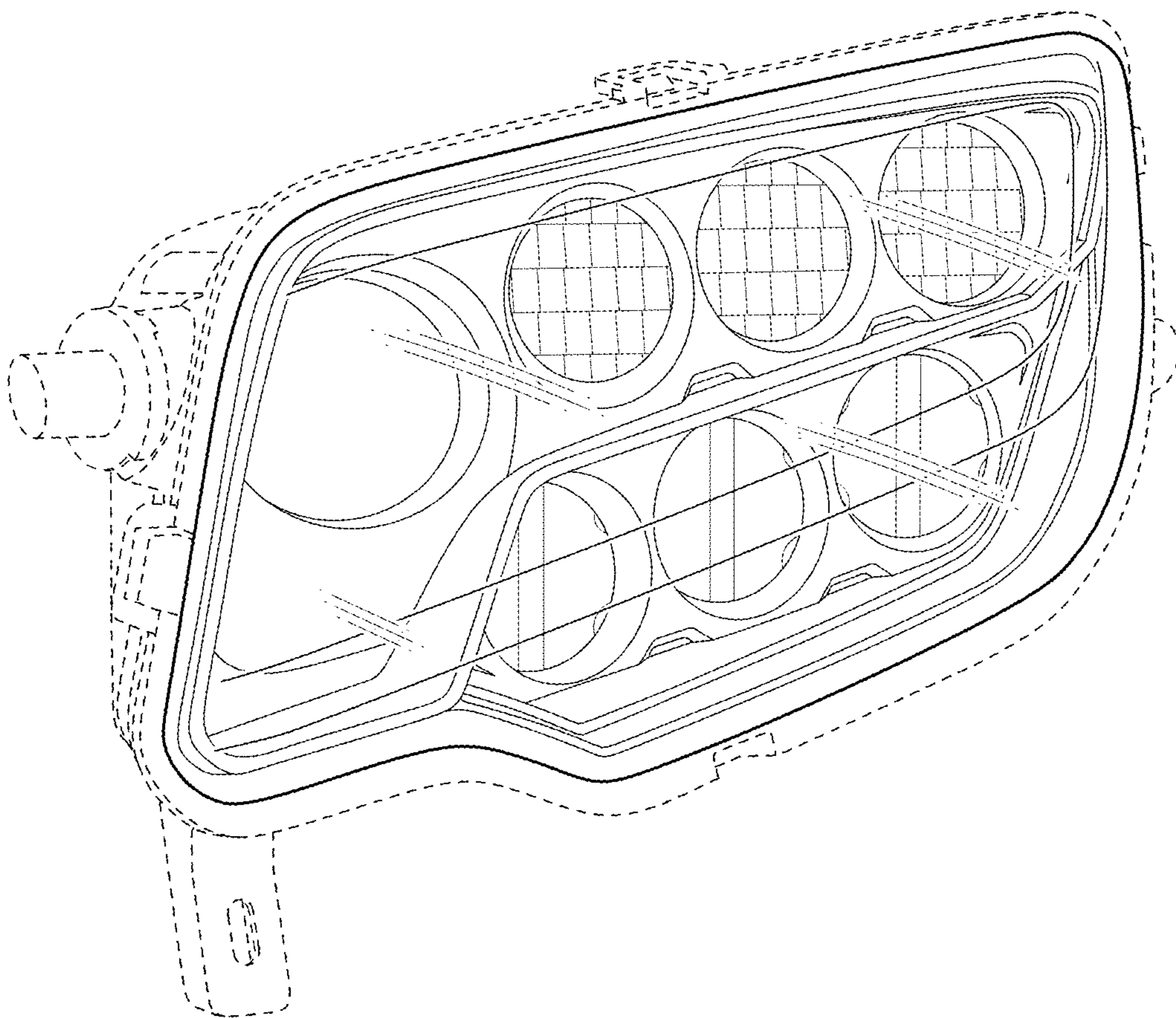


FIG. 3

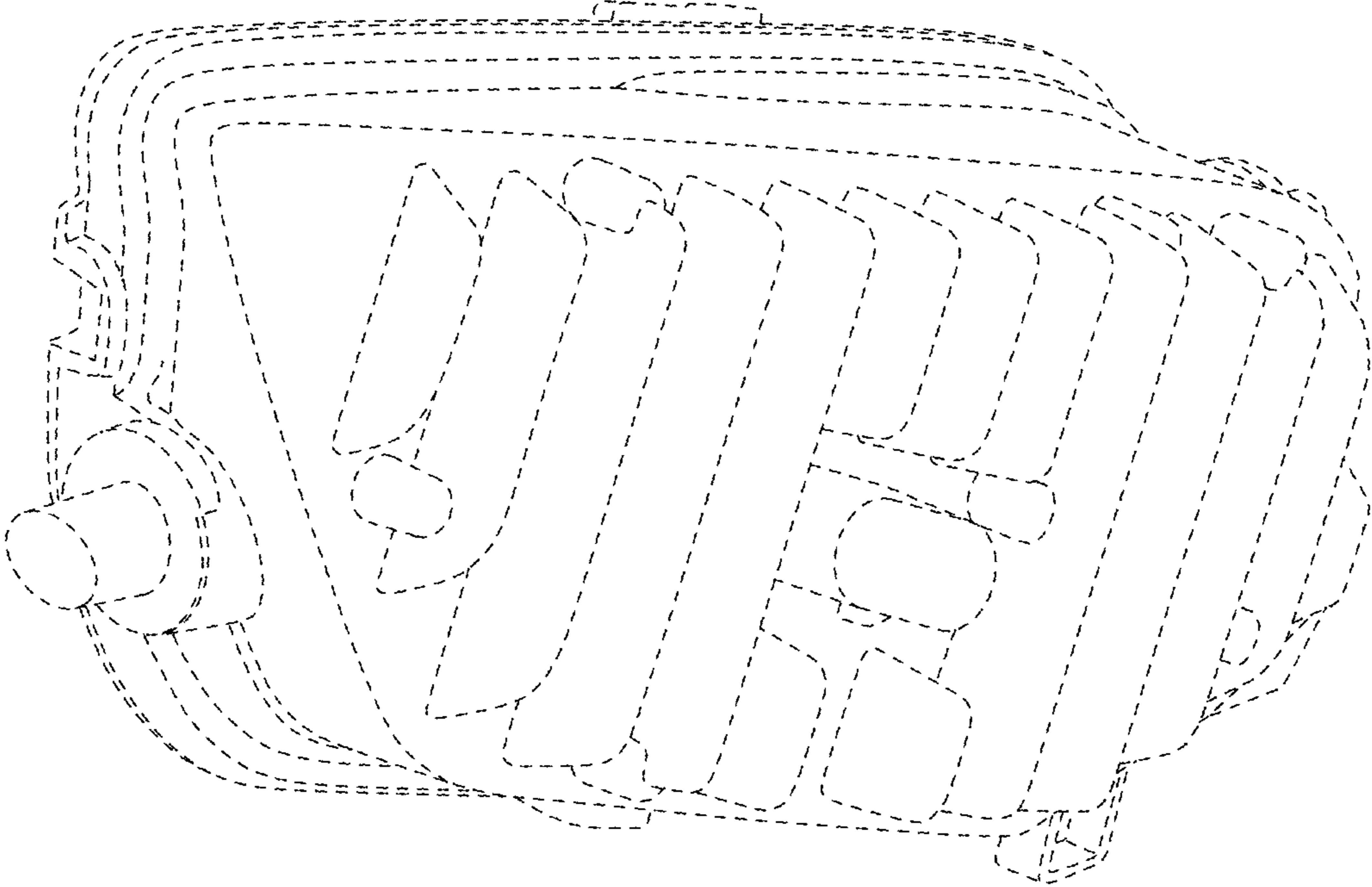


FIG. 4

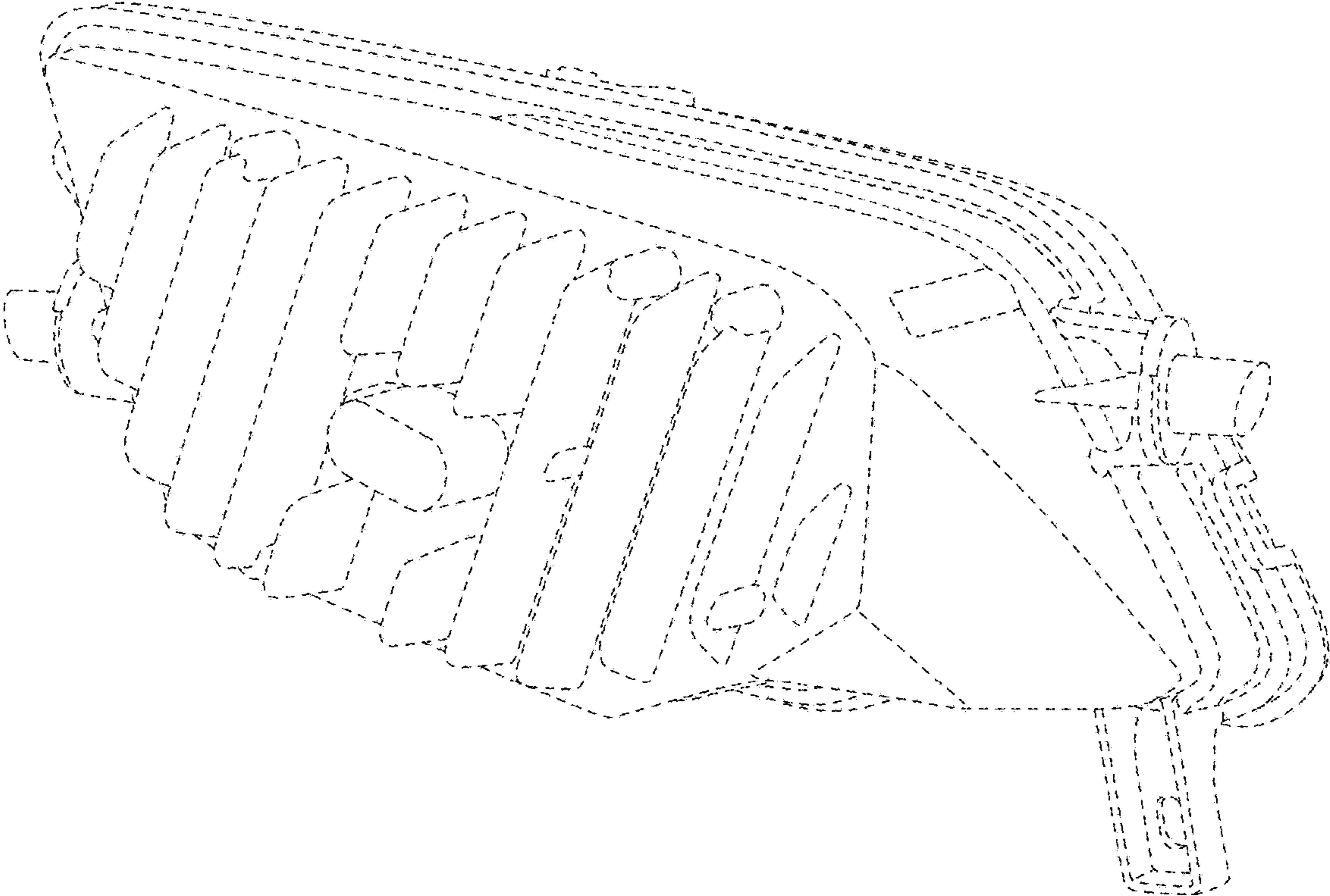


FIG. 5

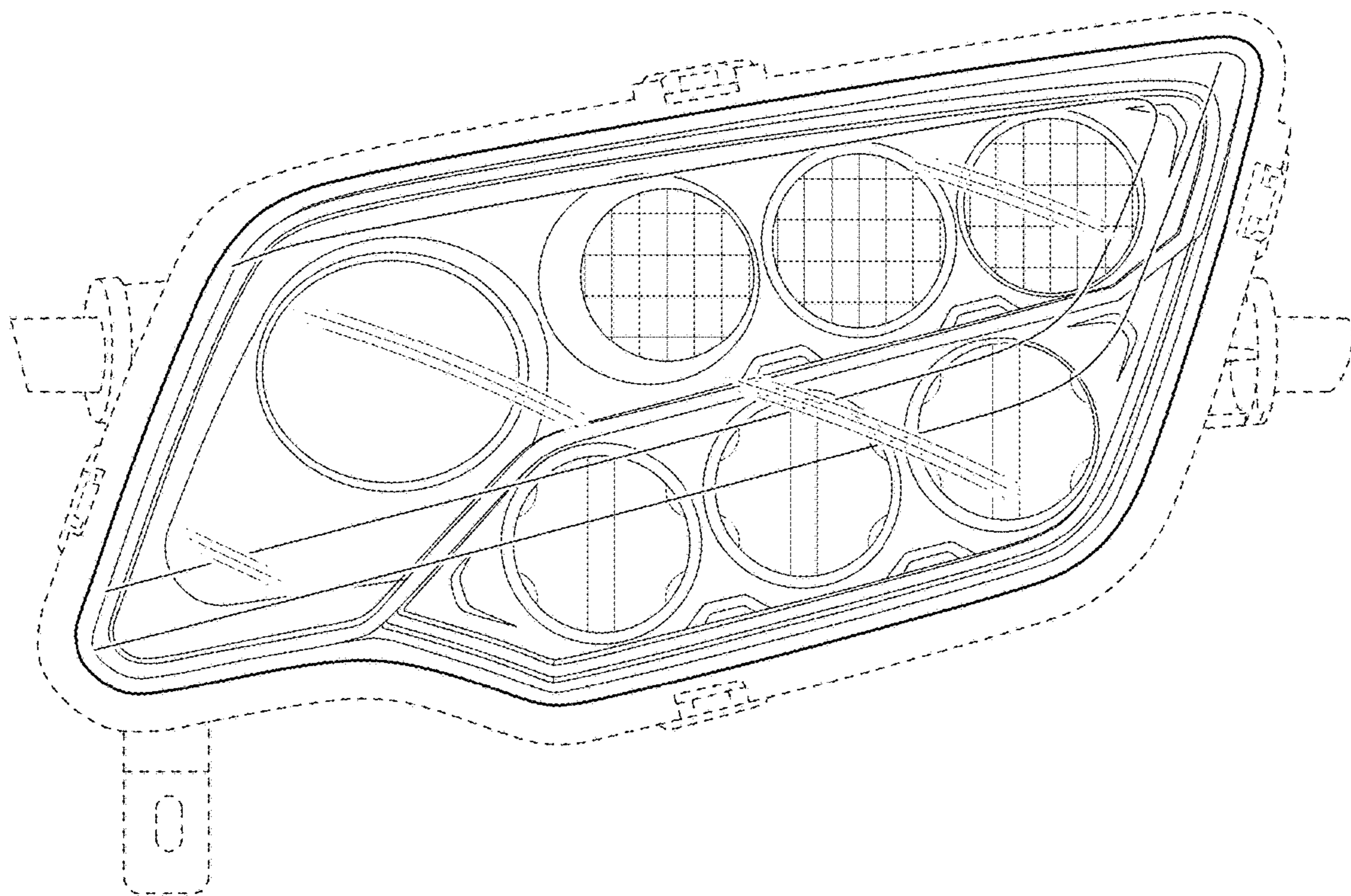


FIG. 6

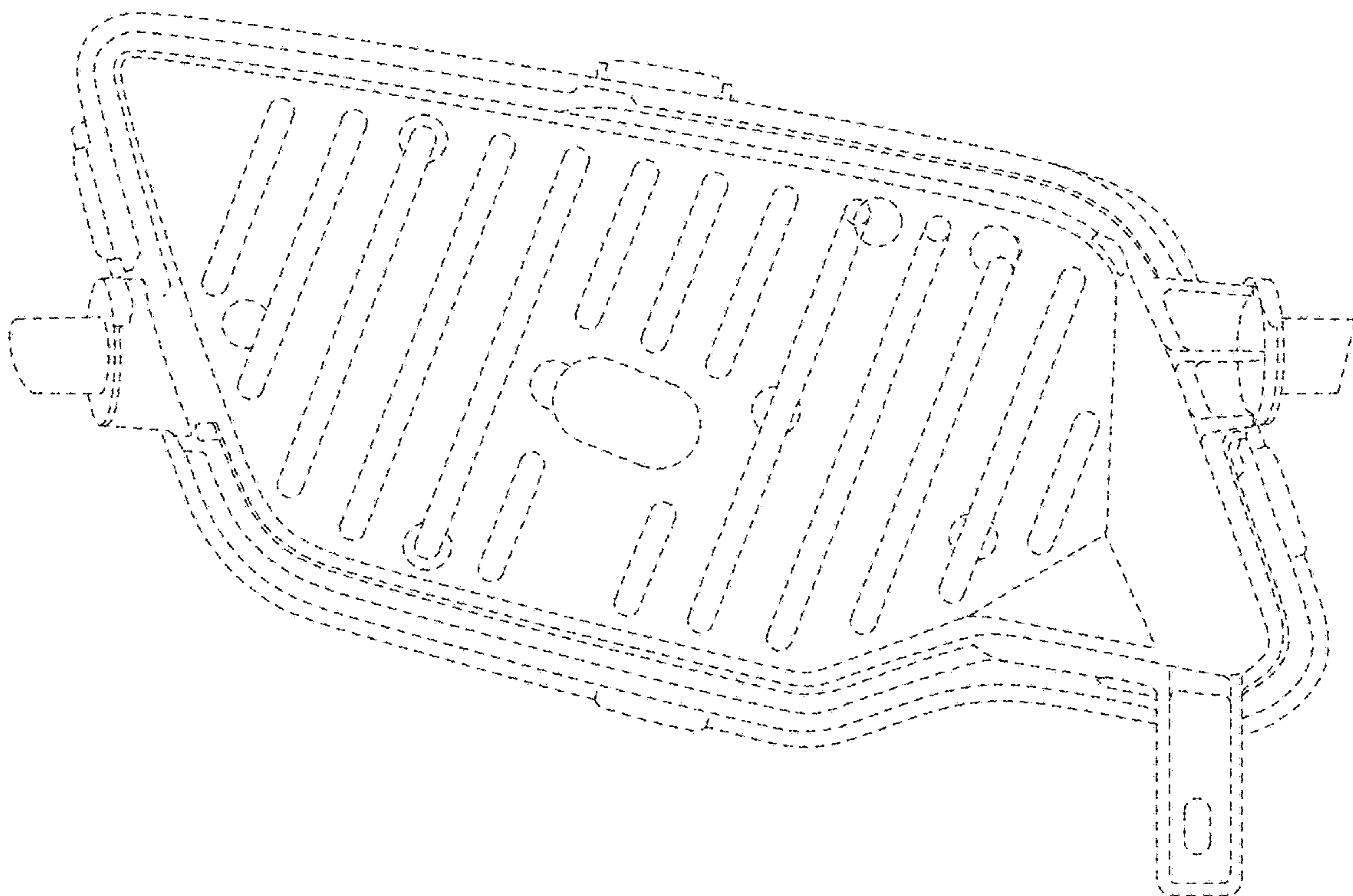


FIG. 7

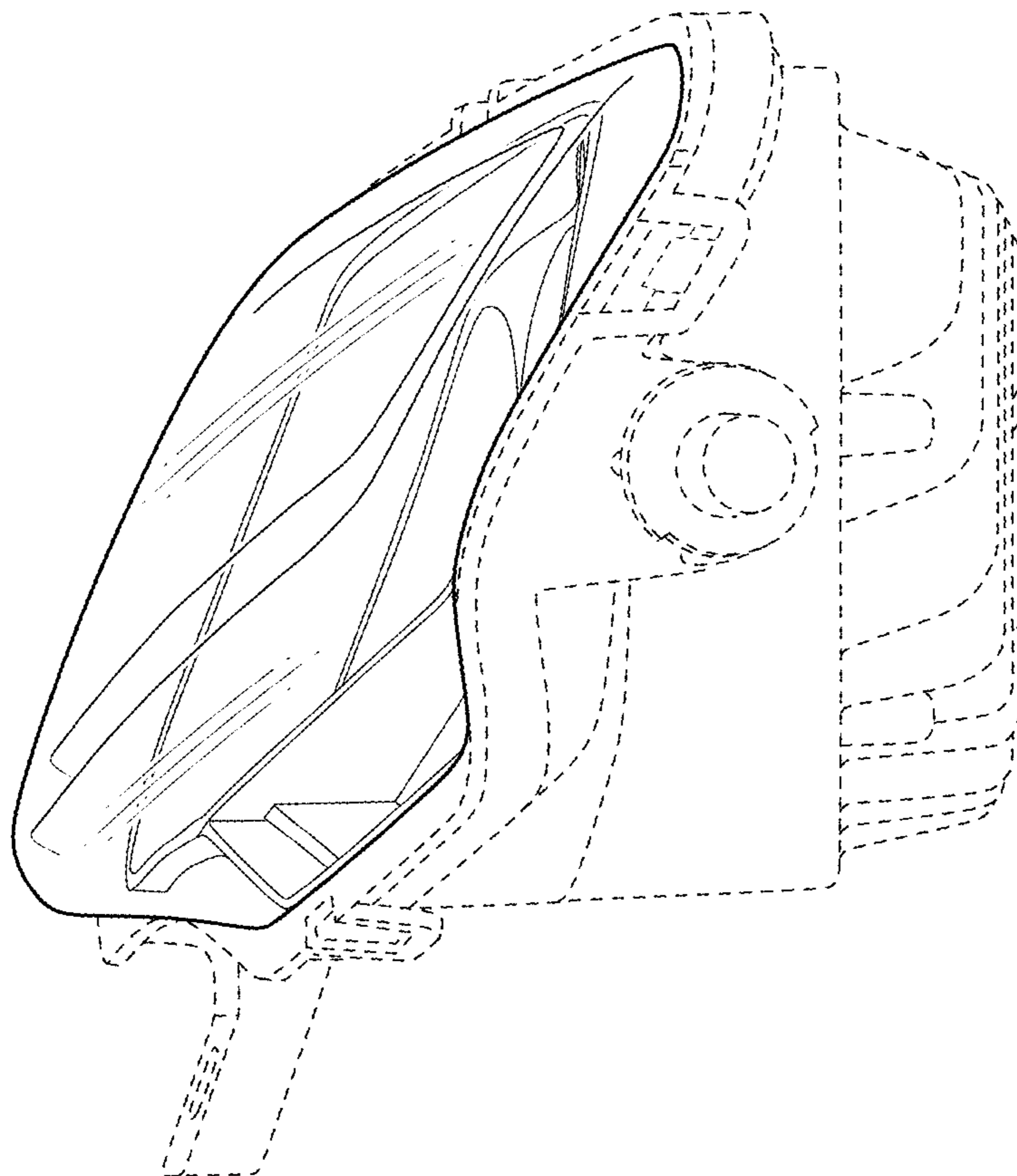


FIG. 8

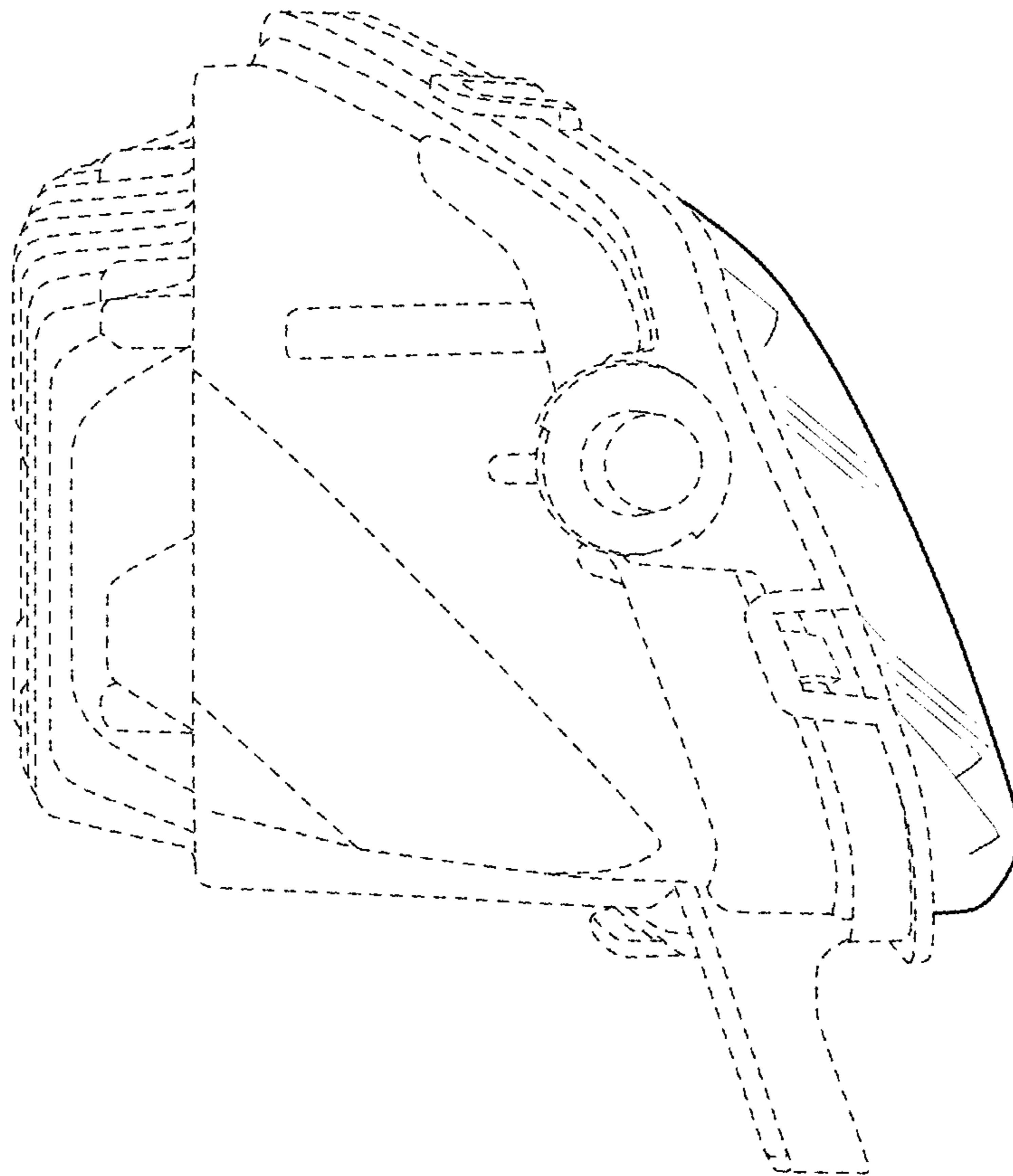


FIG. 9

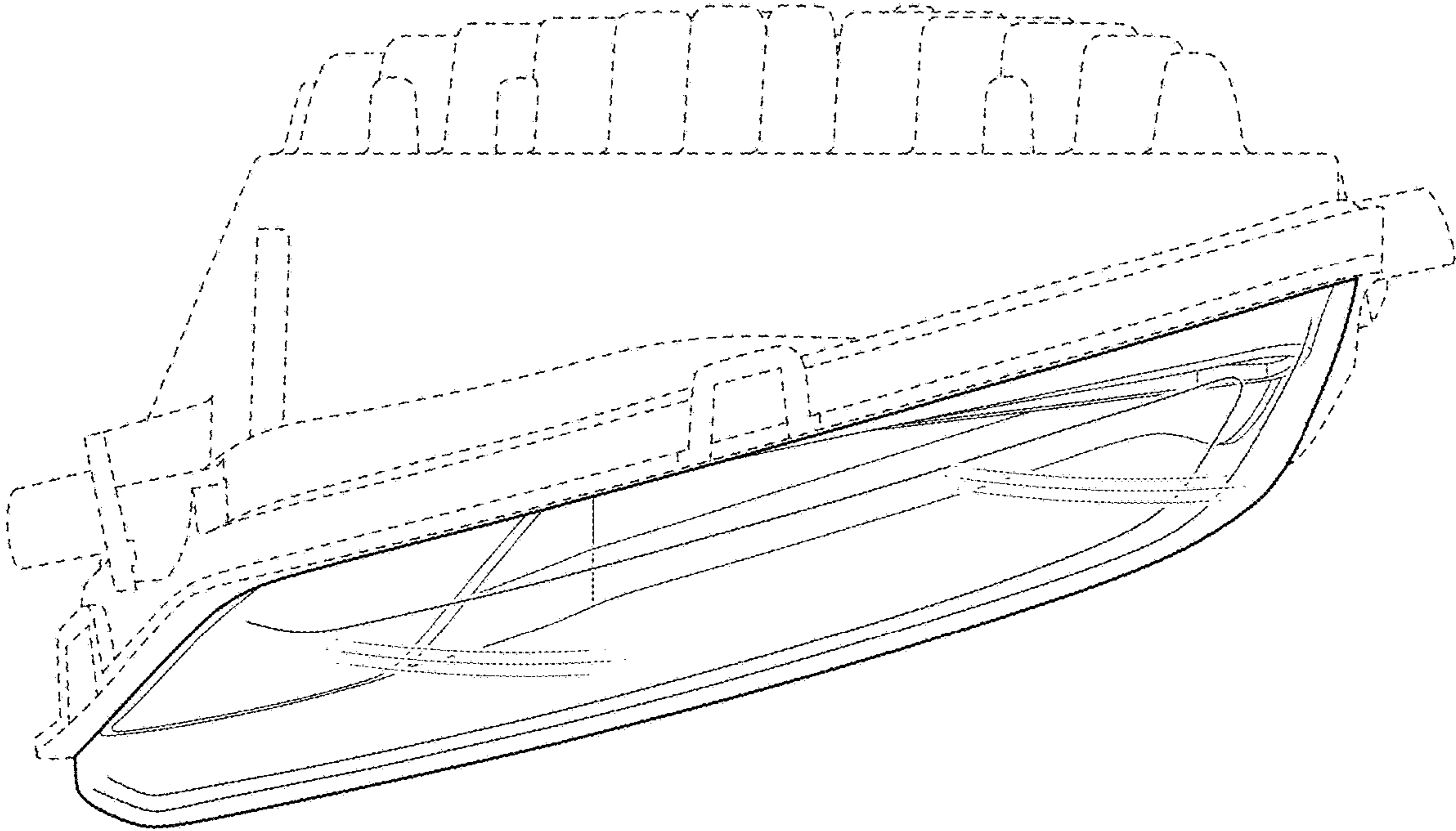


FIG. 10

