



US00D782709S

(12) **United States Design Patent**  
**Quintile et al.**

(10) **Patent No.:** **US D782,709 S**  
(45) **Date of Patent:** **\*\* Mar. 28, 2017**

- (54) **METAL PLANK**
- (71) Applicant: **American Roll Form Products Corp.**,  
Painesville, OH (US)
- (72) Inventors: **Mark J. Quintile**, Brunswick, OH  
(US); **Robert Touzalin**, Chagrin Falls,  
OH (US); **Randy A. Myers**, Chardon,  
OH (US)
- (73) Assignee: **American Roll Form Products Corp.**,  
Painesville, OH (US)
- (\*\*) Term: **14 Years**
- (21) Appl. No.: **29/525,426**
- (22) Filed: **Apr. 29, 2015**
- (51) **LOC (10) Cl.** ..... **25-01**
- (52) **U.S. Cl.**  
USPC ..... **D25/164**
- (58) **Field of Classification Search**  
USPC ..... D5/1, 2, 3, 60, 99; D6/332, 54; D25/55,  
D25/58, 60, 113, 114, 115, 119, 121-125,  
D25/136, 138, 139, 140-144, 153, 156,  
D25/157, 159, 13, 164, 199; D23/389;  
D20/42, 44  
CPC ..... A01G 1/08; A01G 9/222; E01C 11/221;  
E01C 11/08; E01C 11/04; E01C 11/222;  
E01C 11/22; E02D 5/803; E02D 5/805;  
E04H 12/182; H01Q 1/103; E04C 3/06;  
E04G 1/152; F26B 25/10  
See application file for complete search history.

(56) **References Cited**

**U.S. PATENT DOCUMENTS**

- 1,997,876 A \* 4/1935 Sheldon ..... E04C 3/07  
52/839
- 2,485,165 A \* 10/1949 Pollman ..... E04G 1/152  
182/223

- 3,131,656 A \* 5/1964 Houle ..... B65D 19/0095  
108/51.3
- 3,222,841 A \* 12/1965 Lipof ..... A01K 1/03  
160/394
- 3,332,197 A \* 7/1967 Hinkle ..... E04C 3/06  
47/33
- D224,703 S \* 9/1972 Kiner ..... D25/142
- D233,746 S \* 11/1974 Bowser ..... D25/126
- D244,460 S \* 5/1977 Jenkins ..... D25/164
- D249,965 S \* 10/1978 Cooper ..... D25/125

(Continued)

*Primary Examiner* — Eric Goodman

*Assistant Examiner* — Amy Wierenga

(74) *Attorney, Agent, or Firm* — Black, McCuskey,  
Souers & Arbaugh, LPA

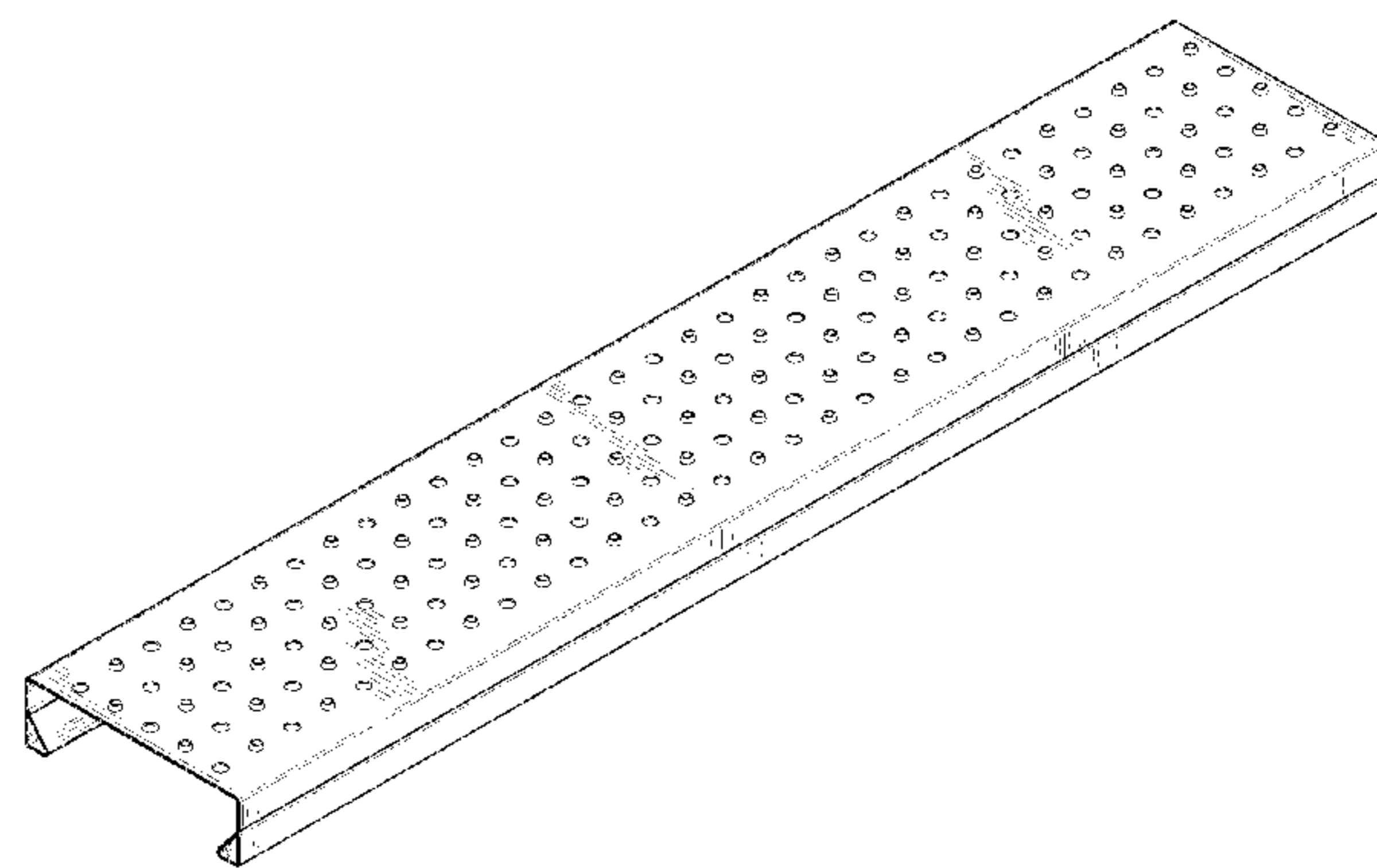
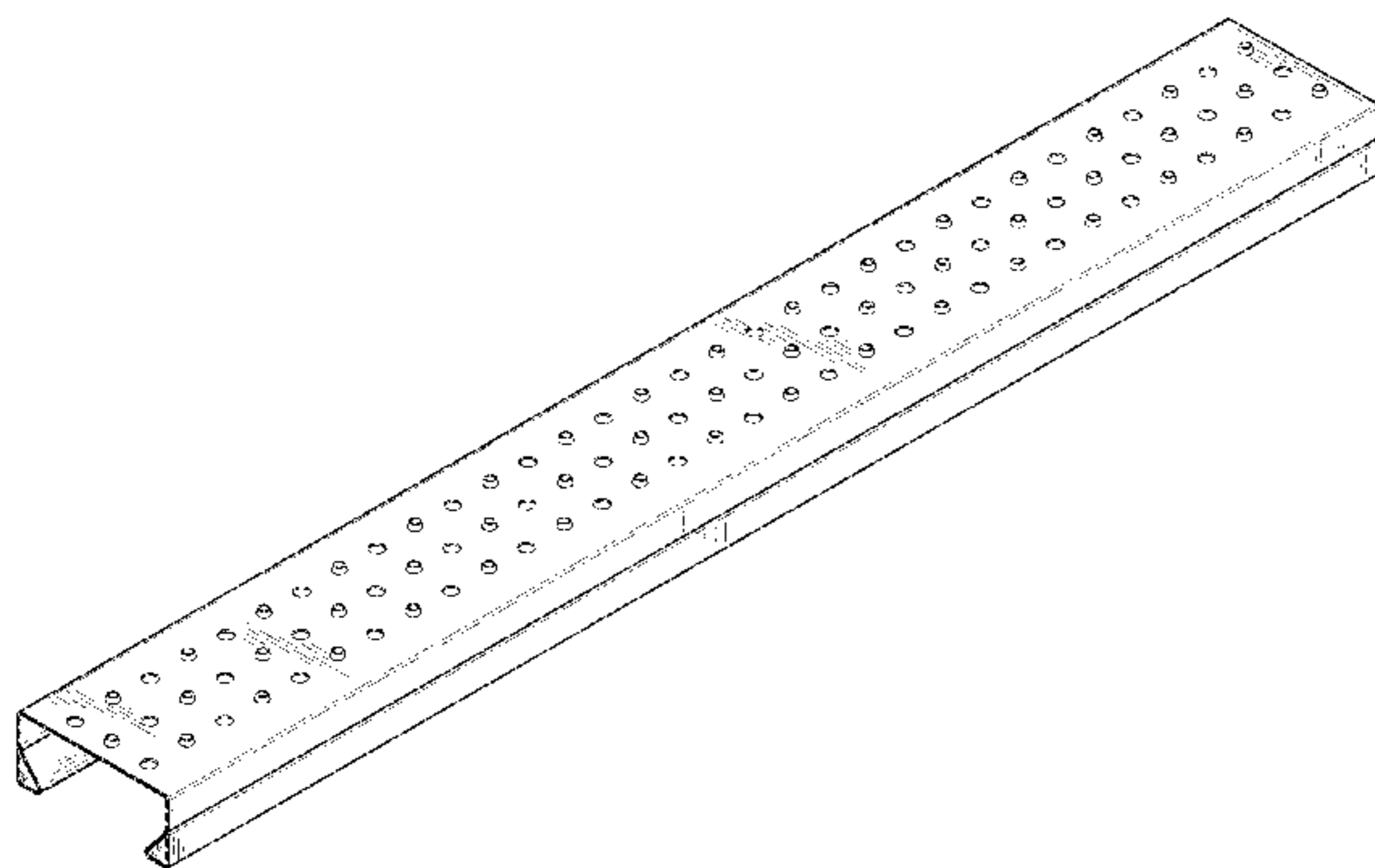
(57) **CLAIM**

The ornamental designs for a metal plank, as shown and described.

**DESCRIPTION**

FIG. 1 is a perspective view of a first embodiment of a metal plank;  
 FIG. 2 is an end view of the first embodiment of FIG. 1, the opposite end view identical in appearance;  
 FIG. 3 is a top view of the first embodiment of FIG. 1;  
 FIG. 4 is a bottom view of the first embodiment of FIG. 1;  
 FIG. 5 is a perspective view of a second embodiment of a metal plank;  
 FIG. 6 is an end view of the second embodiment of FIG. 5, the opposite end view being identical in appearance;  
 FIG. 7 is a top view of the second embodiment of FIG. 5;  
 and,  
 FIG. 8 is a bottom view of the second embodiment of FIG. 5.

**1 Claim, 4 Drawing Sheets**



(56)

**References Cited**

U.S. PATENT DOCUMENTS

4,496,029 A \* 1/1985 Kuroda ..... E04G 1/152  
182/119  
4,604,842 A \* 8/1986 Sukup ..... F26B 25/10  
52/192  
D393,164 S \* 4/1998 Russell ..... D25/119  
D618,365 S \* 6/2010 Crane ..... D25/121  
D621,963 S \* 8/2010 Zadeh ..... D25/121  
D621,964 S \* 8/2010 Zadeh ..... D25/121  
D629,157 S \* 12/2010 Ko ..... D28/38  
D657,073 S \* 4/2012 Reves ..... D25/102  
D702,860 S \* 4/2014 Rice ..... D25/119  
D732,700 S \* 6/2015 Bill ..... D25/119

\* cited by examiner

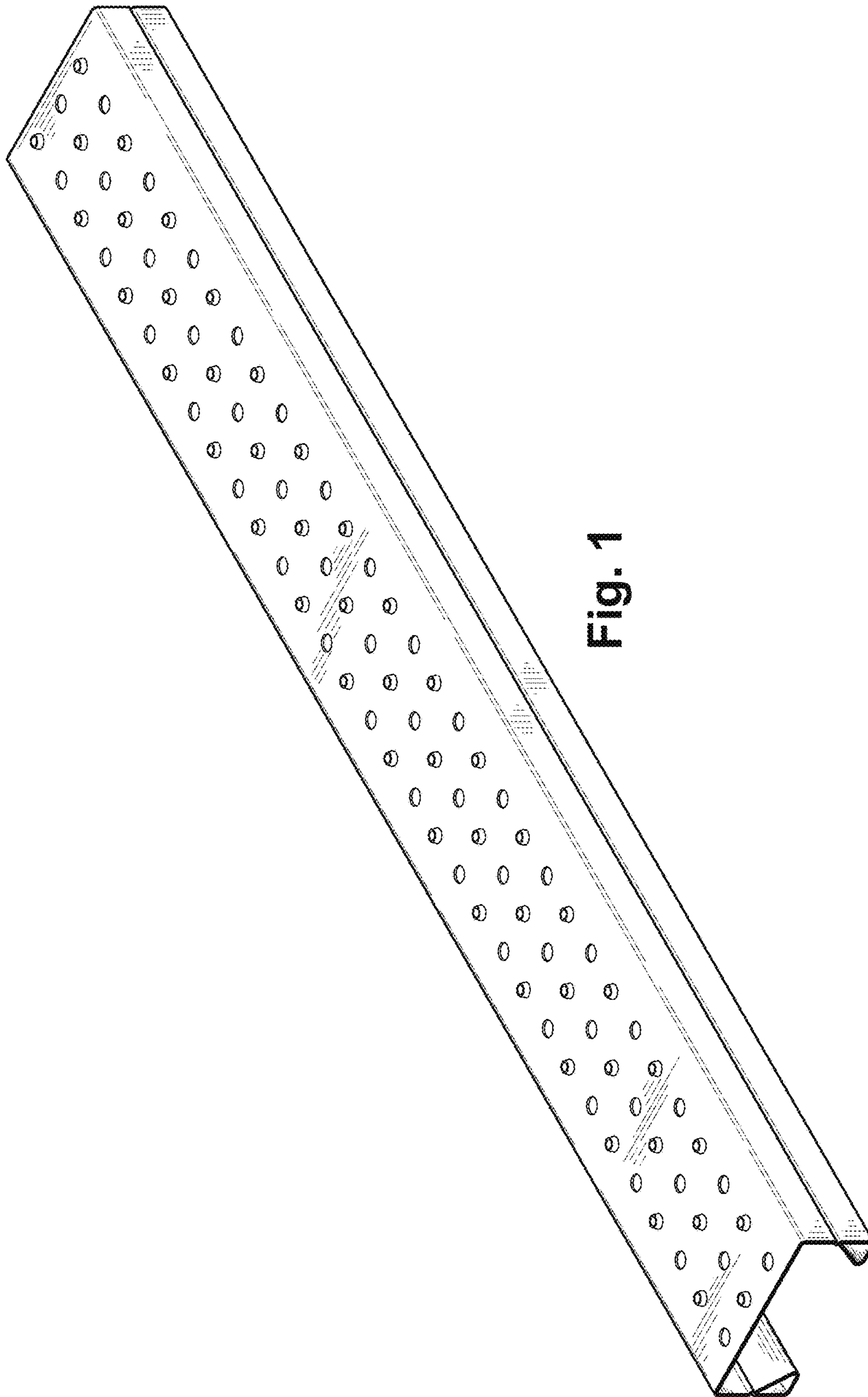


Fig. 1

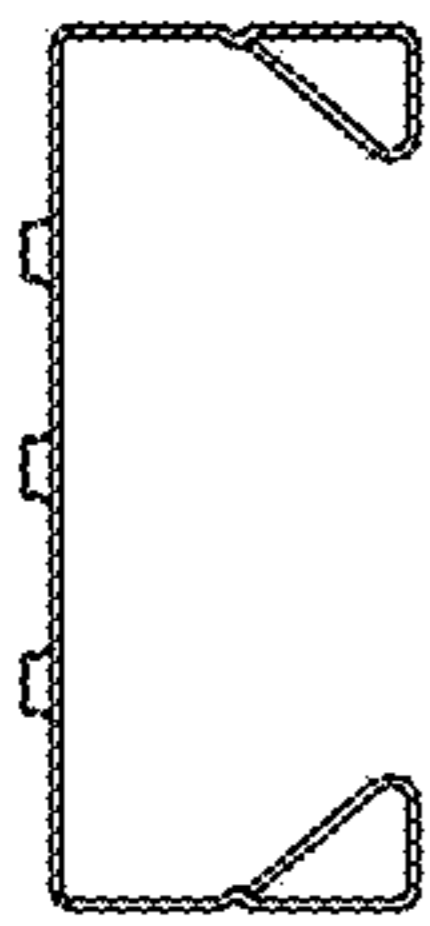


Fig. 2

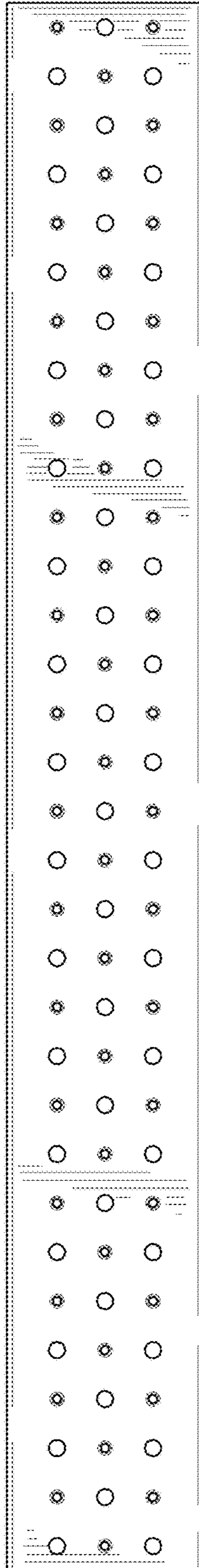


Fig. 3

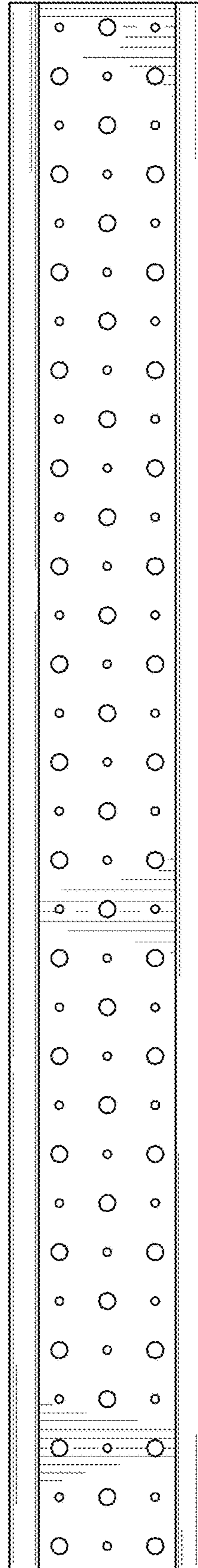


Fig. 4

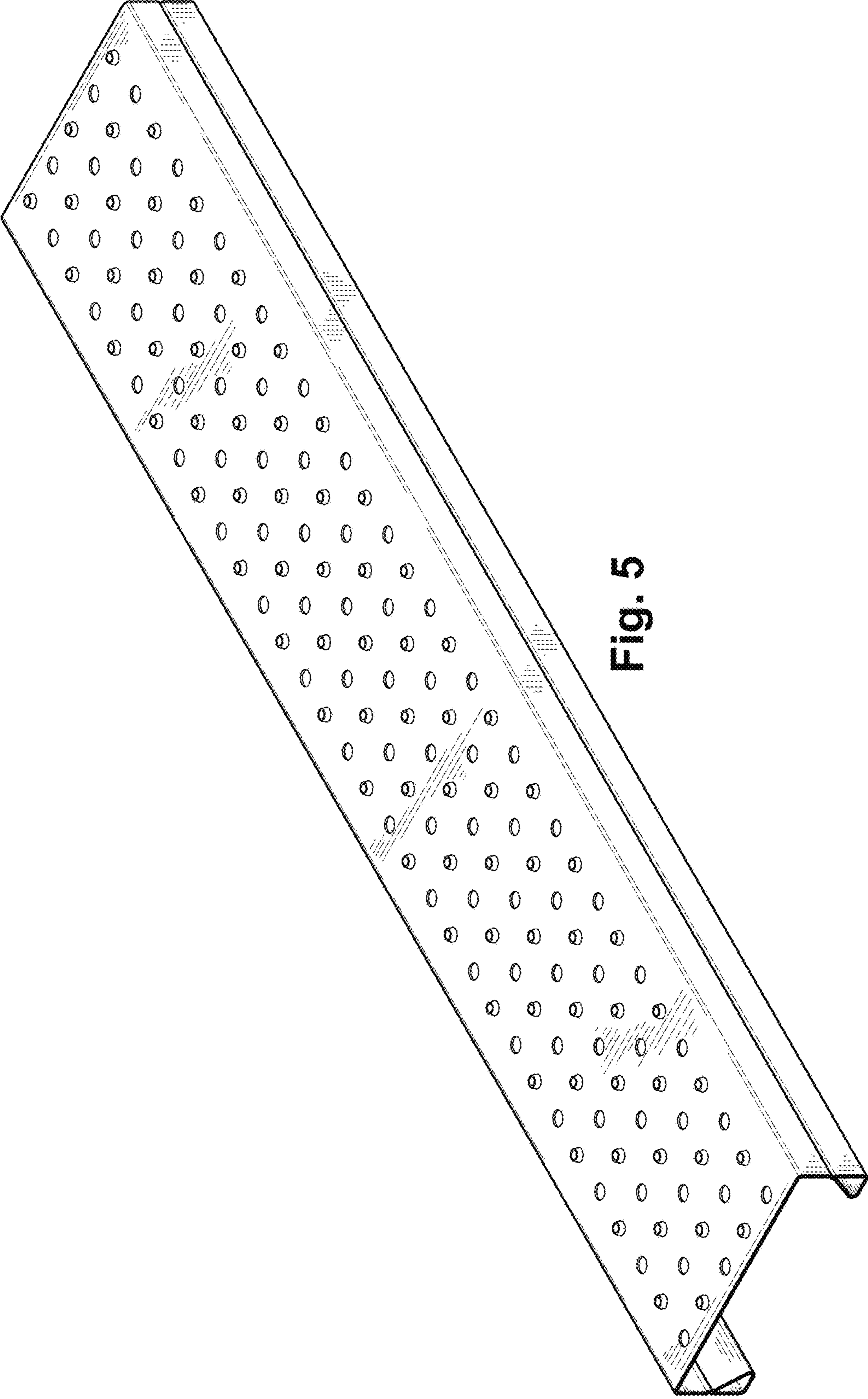


Fig. 5

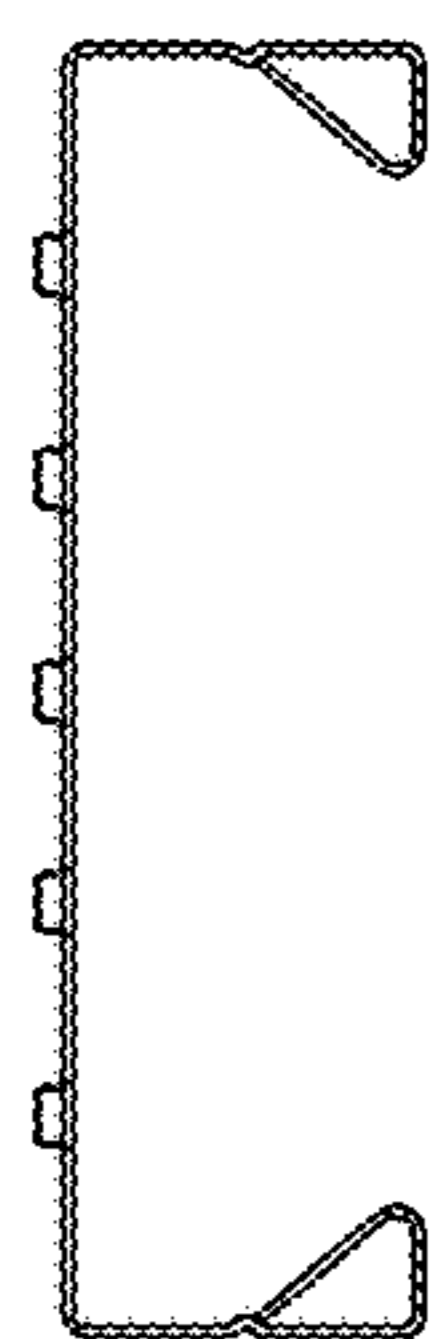


Fig. 6

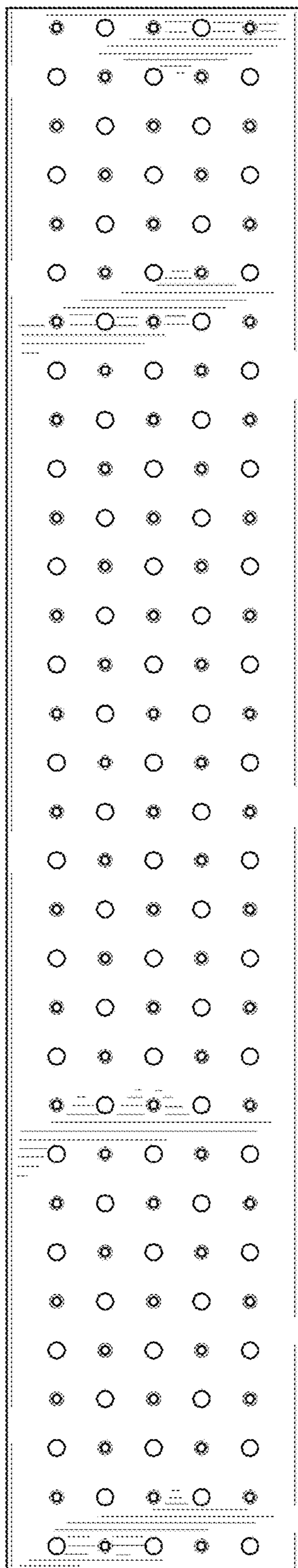


Fig. 7

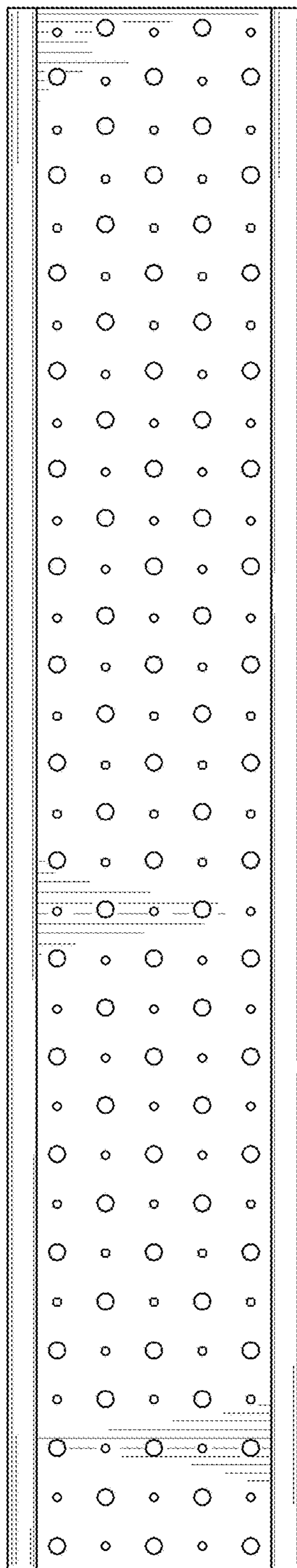


Fig. 8