



US00D782707S

(12) **United States Design Patent** (10) **Patent No.:** **US D782,707 S**
Krause (45) **Date of Patent:** **** *Mar. 28, 2017**

(54) **BRACKET MEMBER FOR EXTERIOR CLADDING SYSTEMS**

CPC E06B 1/36; E06B 2003/26321; E06B 3/26345; E06B 1/702; E06B 1/366; E06B 1/04; E06B 1/28; E06B 1/30

(71) Applicant: **Advanced Architectural Products, LLC**, Allegan, MI (US)

See application file for complete search history.

(72) Inventor: **G Matt Krause**, Allegan, MI (US)

(56) **References Cited**

(73) Assignee: **Advanced Architectural Products, LLC**, Allegan, MI (US)

U.S. PATENT DOCUMENTS

(*) Notice: This patent is subject to a terminal disclaimer.

D283,353 S * 4/1986 Bancroft D25/119
D736,954 S * 8/2015 Krause D25/119
9,187,946 B2 * 11/2015 Krause E06B 1/62

(**) Term: **15 Years**

* cited by examiner

(21) Appl. No.: **29/529,697**

Primary Examiner — Cynthia Ramirez

Assistant Examiner — Gino Colan

(22) Filed: **Jun. 9, 2015**

(74) *Attorney, Agent, or Firm* — The Watson IP Group PLC; Jovan N. Jovanovic; Vladan M. Vasiljevic

Related U.S. Application Data

(63) Continuation-in-part of application No. 14/281,949, filed on May 20, 2014, now Pat. No. 9,151,052, which is a continuation-in-part of application No. 13/763,915, filed on Feb. 11, 2013, now Pat. No. 8,833,025, which is a continuation-in-part of application No. 12/984,051, filed on Jan. 4, 2011, now Pat. No. 8,826,620.

(57) **CLAIM**

The ornamental design for a bracket member for exterior cladding systems, as shown and described.

(51) **LOC (10) Cl.** **25-01**

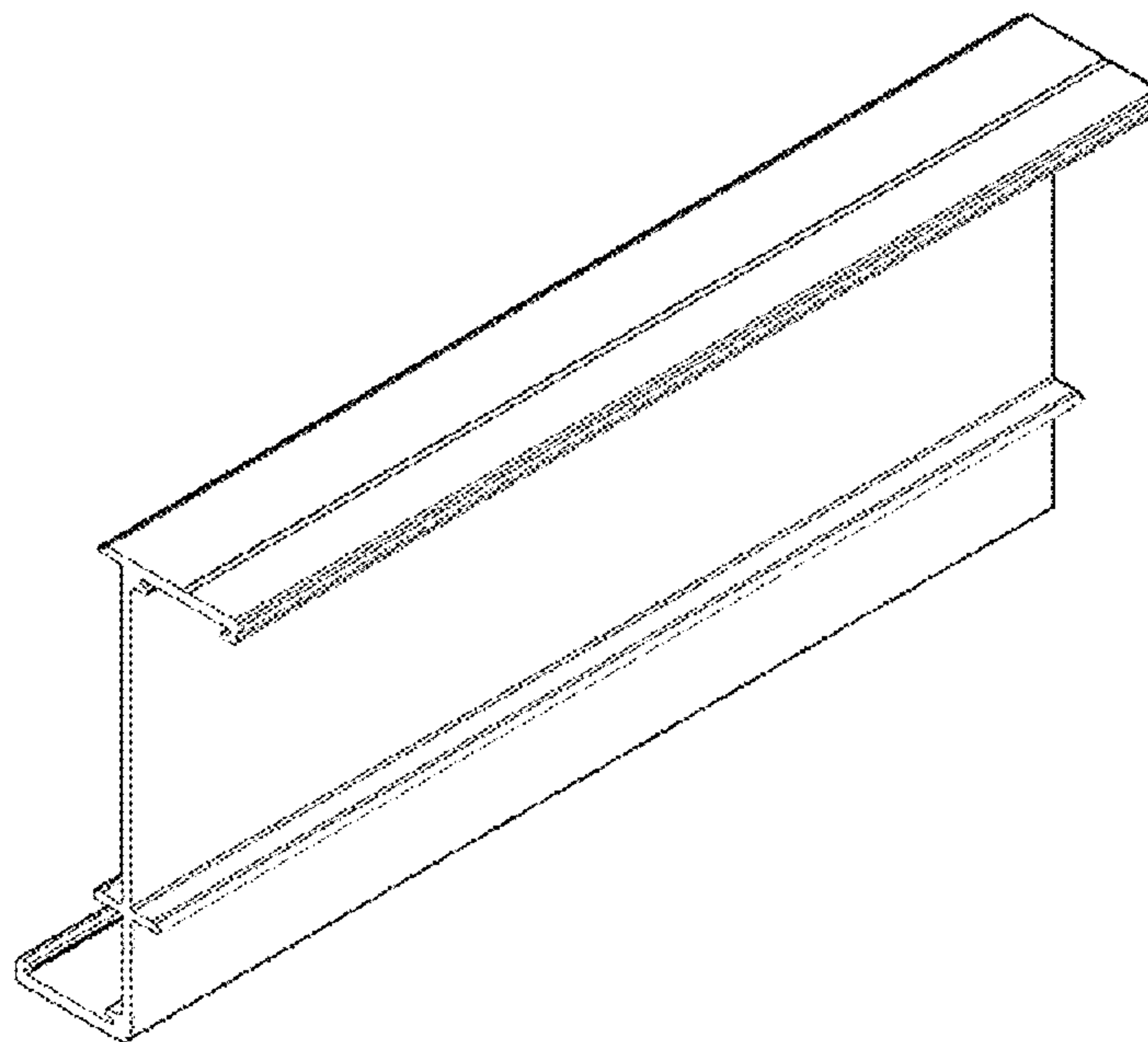
(52) **U.S. Cl.**
USPC **D25/119**

DESCRIPTION

(58) **Field of Classification Search**
USPC D25/119–125, 60; D20/42, 43, 44; 52/204.1, 204.2, 204.51, 656.6, 213, 215, 52/208, 656.2, 656.7, 800.13, 717.01, 52/506.06, 705, 714, 383, 489.1, 547, 710

FIG. 1 of the drawings is a perspective view of a bracket member for exterior cladding systems, showing my new design;
FIG. 2 of the drawings is a front elevational view thereof;
FIG. 3 of the drawings is a right side elevational view thereof;
FIG. 4 of the drawings is a back elevational view thereof;
FIG. 5 of the drawings is a top plan view thereof;
FIG. 6 of the drawings is a left side elevational view thereof;
and,
FIG. 7 of the drawings is a bottom plan view thereof.

1 Claim, 7 Drawing Sheets



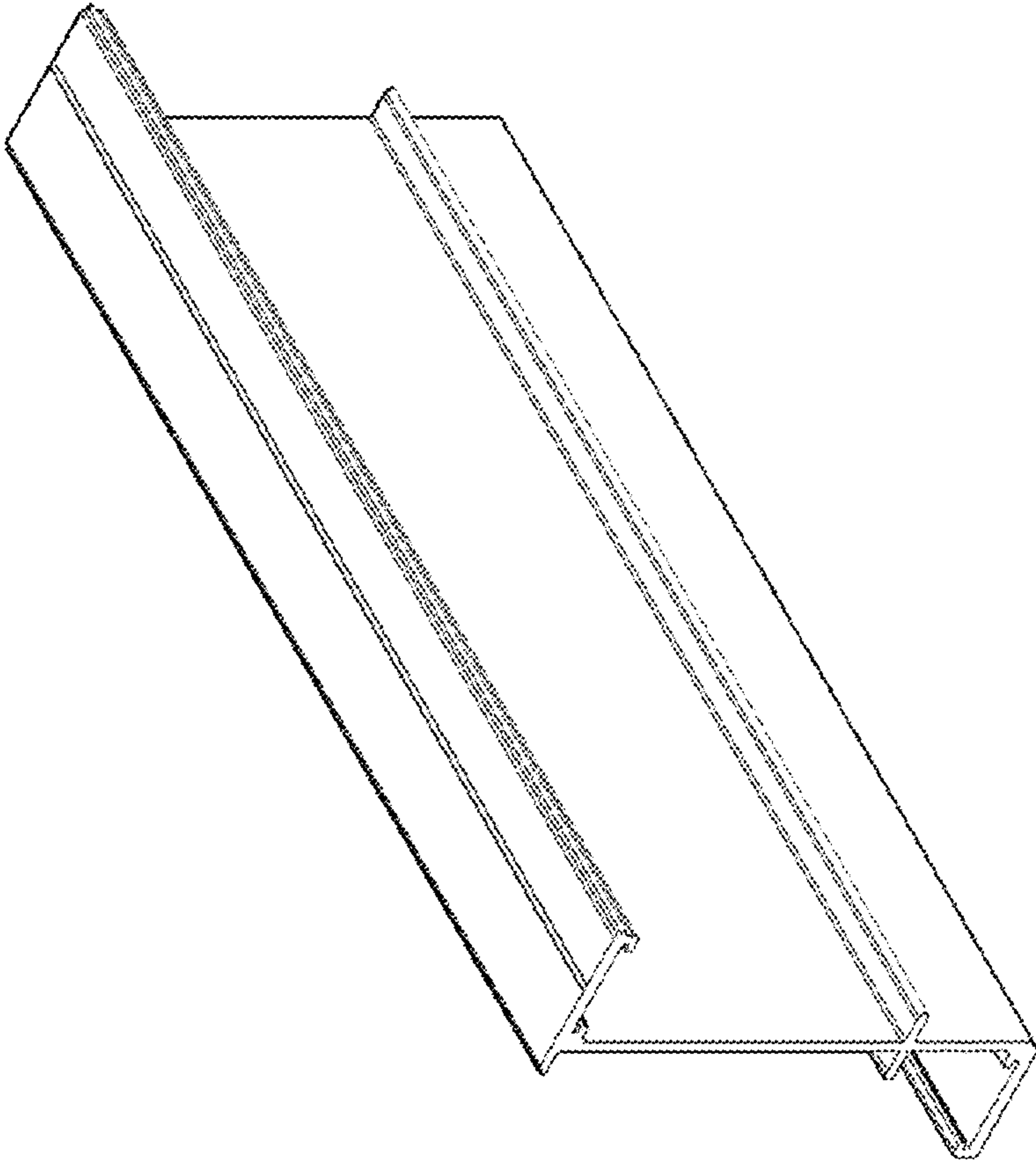


Figure 1

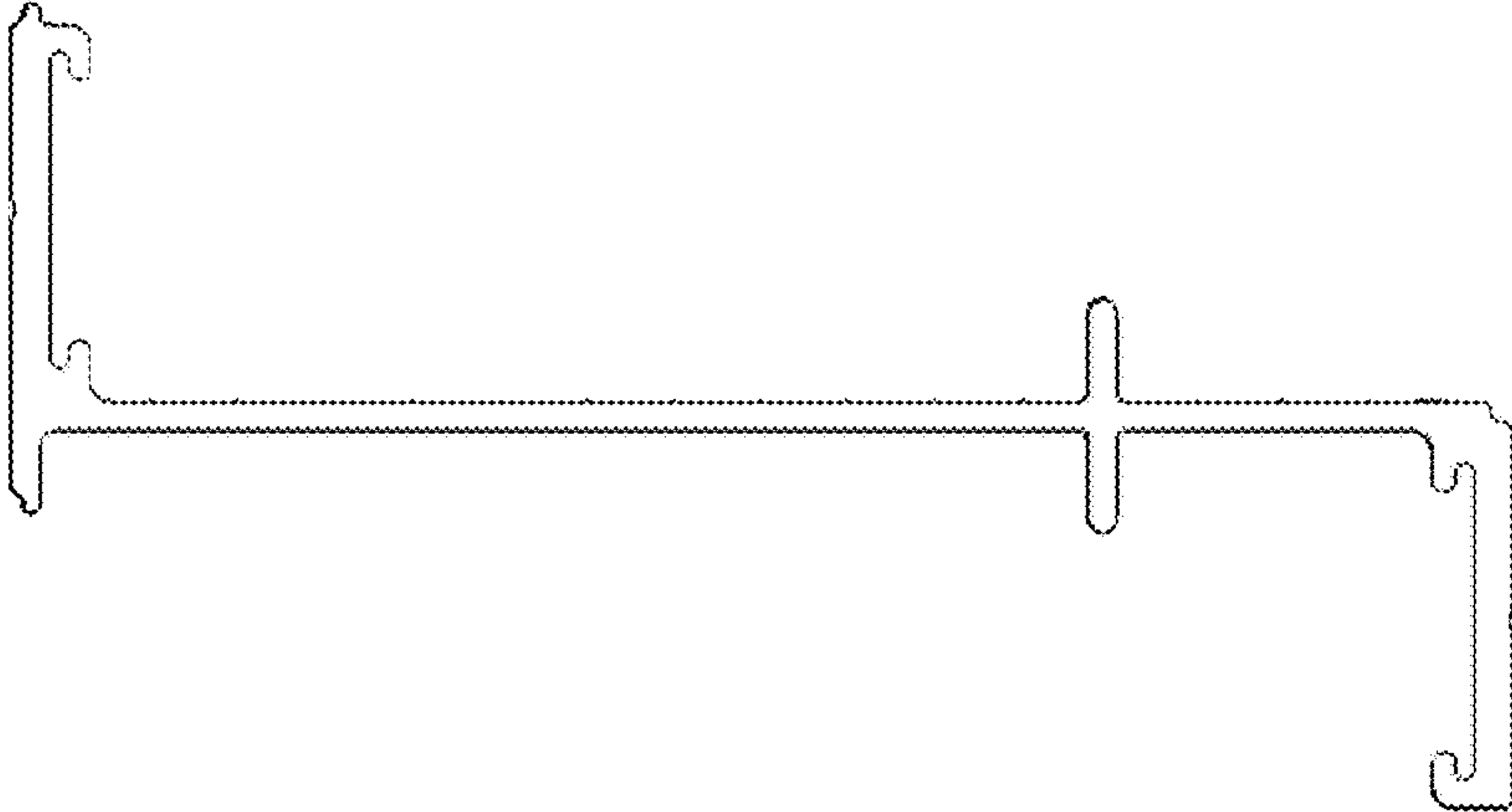


Figure 2

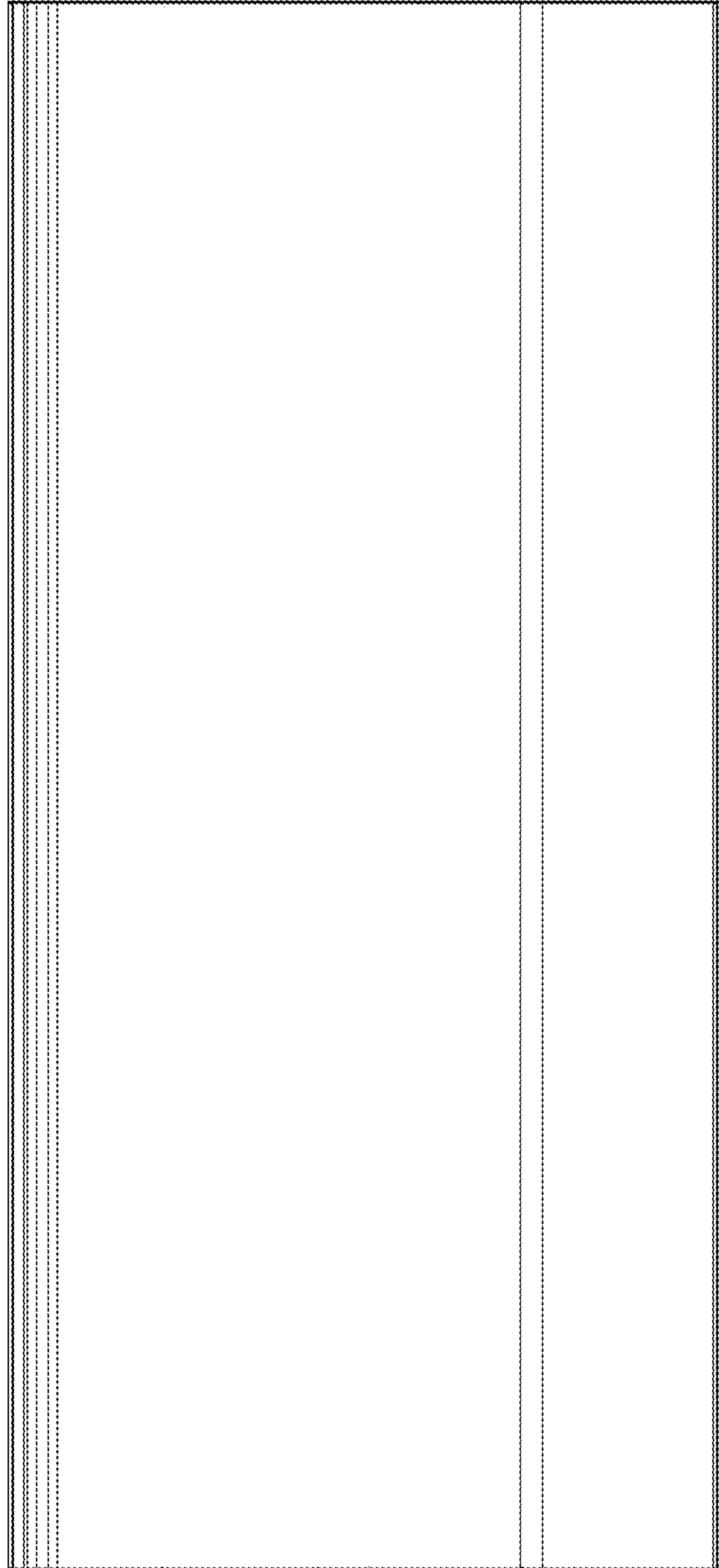


Figure 3

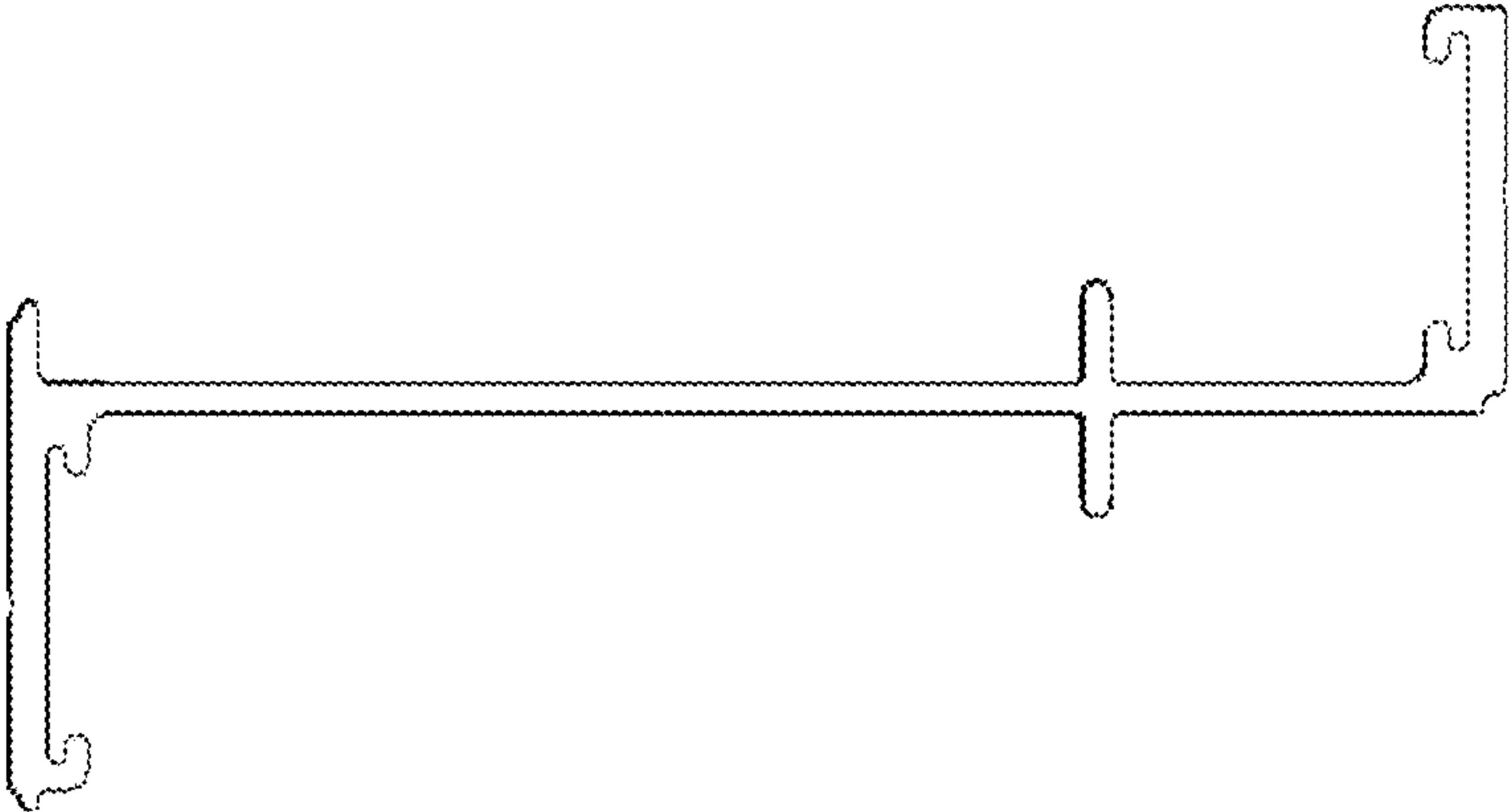


Figure 4

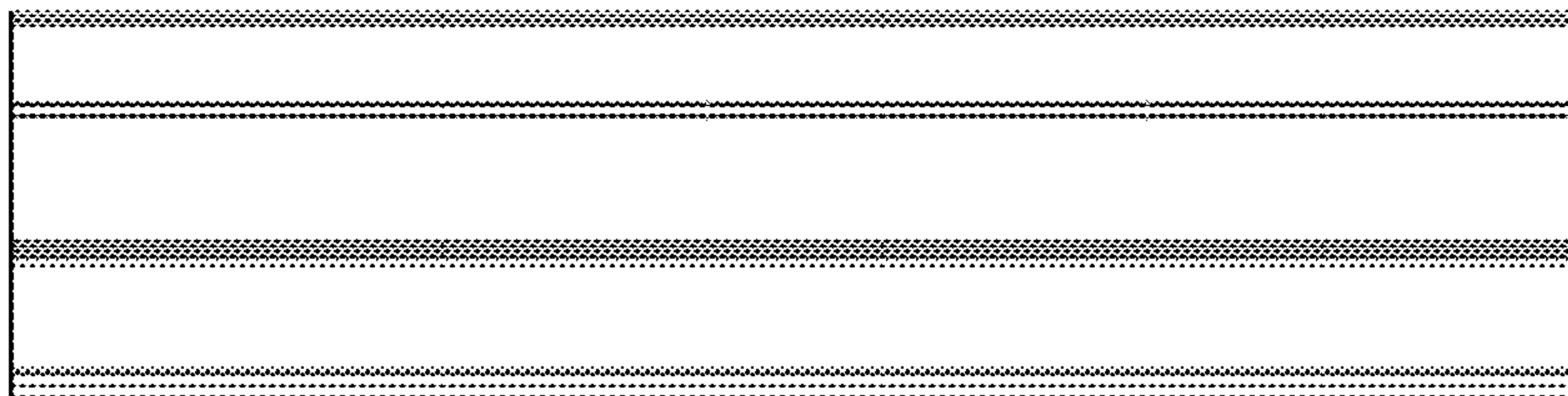


Figure 5

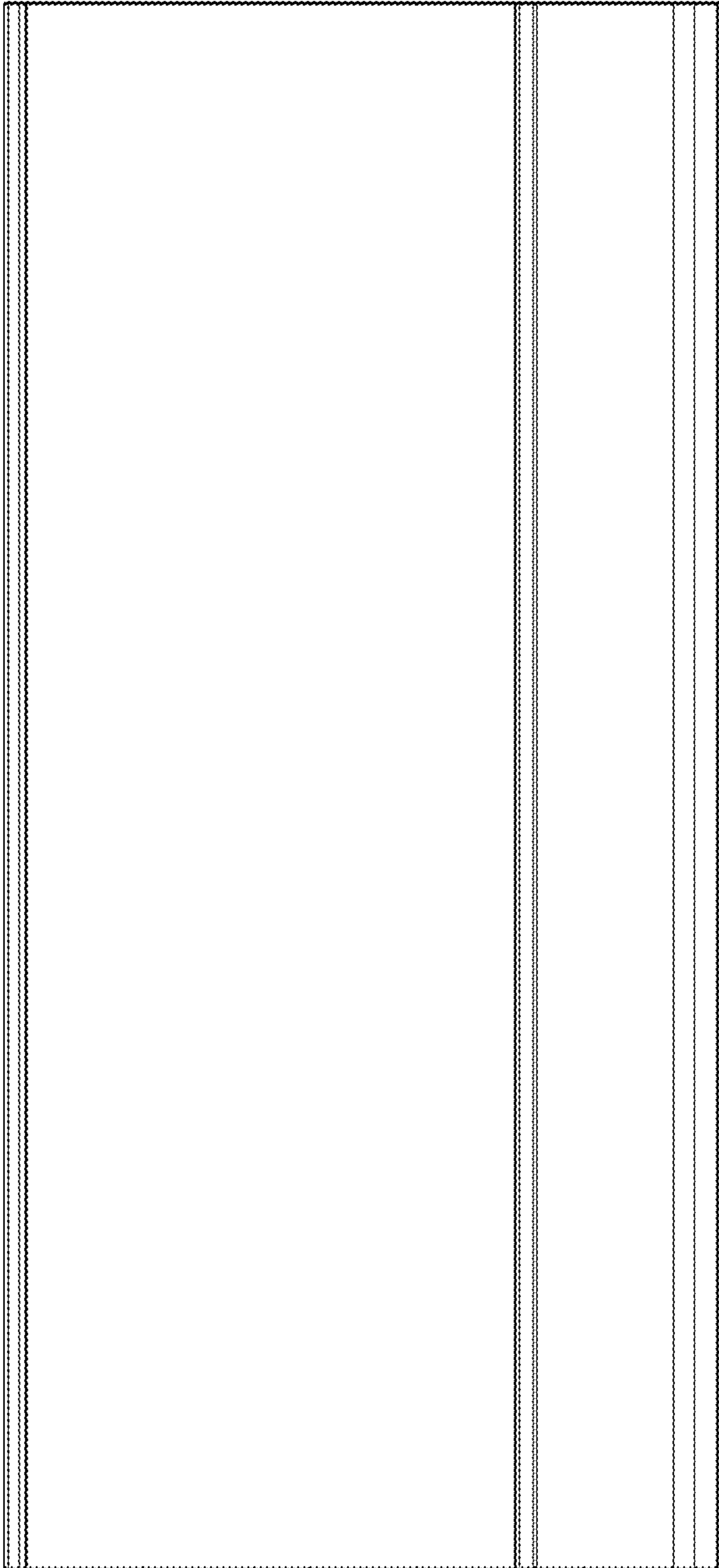


Figure 6

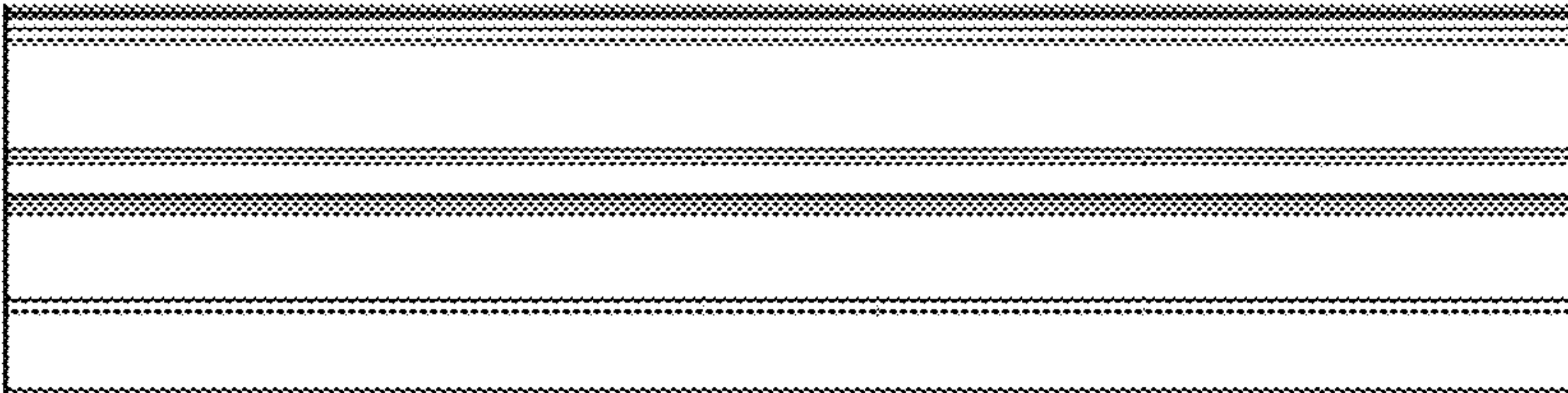


Figure 7