



US00D782701S

(12) **United States Design Patent**
Furman et al.

(10) **Patent No.:** **US D782,701 S**
(45) **Date of Patent:** **** Mar. 28, 2017**

(54) **FIXTURE FOR BUILDING ELEMENT**

6,540,445 B1 * 4/2003 Evans, Jr. E04H 17/16
210/170.01

(71) Applicant: **Palram Industries (1990) Ltd.**

8,302,362 B2 * 11/2012 Rischmueller E01D 19/125
52/169.9

(72) Inventors: **Tal Furman**, Haifa (IL); **Alberto Ben-Bunan**, Kibutz Ramat Yohanan (IL); **Jonathan Hems**i, Kibutz Usha (IL)

D730,759 S * 6/2015 Federspiel D10/64

FOREIGN PATENT DOCUMENTS

(73) Assignee: **Palram Industries (1990) Ltd.**, Ramat Yohanan (IL)

JP D1476124 * 8/2013

* cited by examiner

(**) Term: **14 Years**

Primary Examiner — Susan Bennett Hattan

Assistant Examiner — Leanne Was-Englehart

(21) Appl. No.: **29/526,528**

(74) *Attorney, Agent, or Firm* — Pearl Cohen Zedek Latzer Baratz LLP

(22) Filed: **May 11, 2015**

(30) **Foreign Application Priority Data**

(57) **CLAIM**

Nov. 11, 2014 (EM) 002575787-0001

The ornamental design for a fixture for building element, as shown and described.

(51) **LOC (10) Cl.** **25-02**

(52) **U.S. Cl.**
USPC **D25/55**

(58) **Field of Classification Search**
USPC D8/349, 354, 380, 382, 394; D25/55, 61, D25/68, 126, 136, 164; 52/93.1, 52/285.1–285.4, 287.1; 312/140; 403/167, 168
See application file for complete search history.

DESCRIPTION

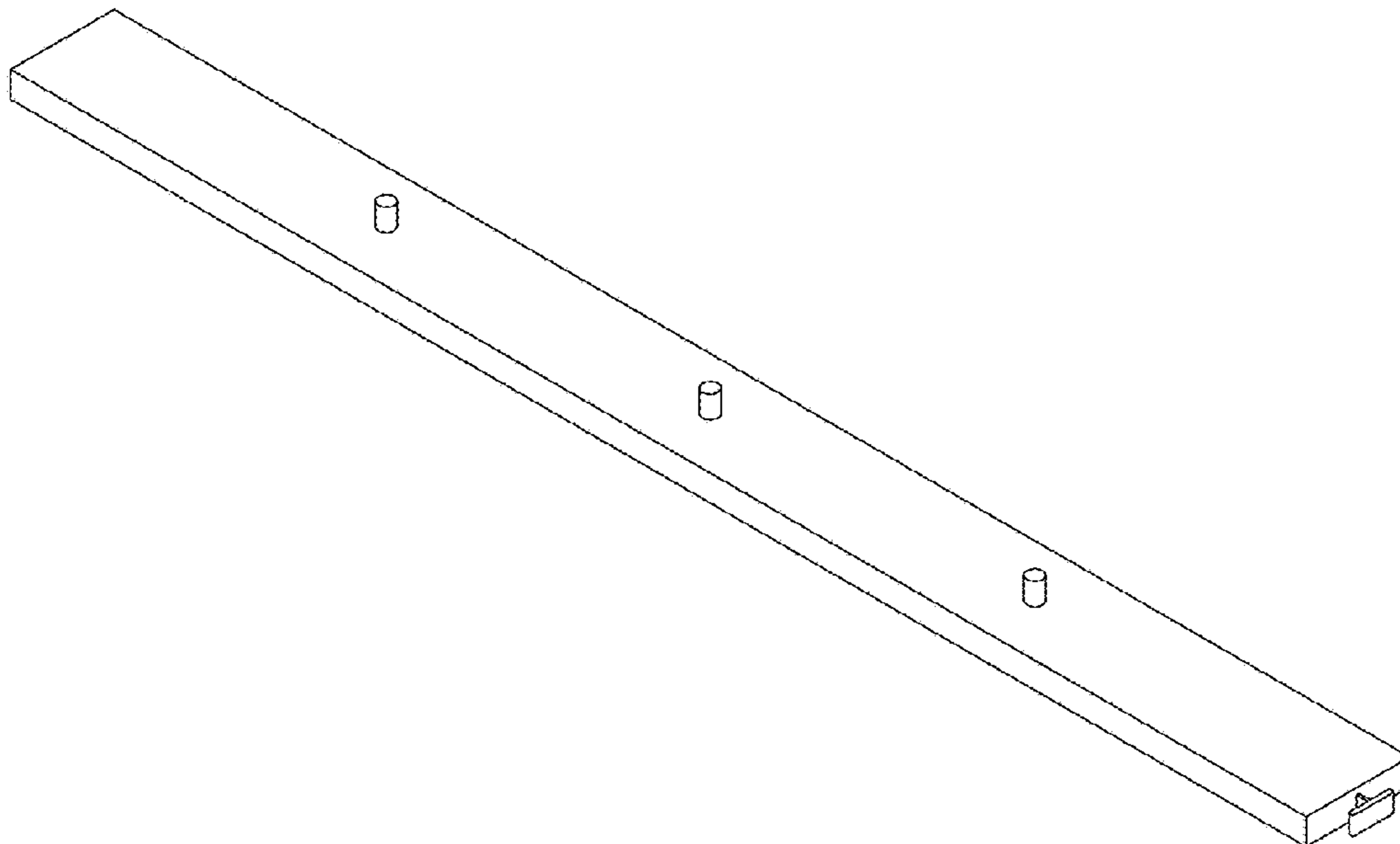
FIG. 1 is a top, front, right side perspective view of a fixture for building element in accordance with the present invention;
FIG. 2 is a top plan view thereof;
FIG. 3 is a bottom plan view thereof.
FIG. 4 is a front elevational view thereof, the back elevational view thereof being a mirror image of FIG. 5;
FIG. 5 is a right side elevational view thereof; and,
FIG. 6 is a left side elevational view thereof.
The dot-dash boundary lines depict the bounds of the claim.

(56) **References Cited**

U.S. PATENT DOCUMENTS

D368,002 S * 3/1996 Henson D25/164
5,850,720 A * 12/1998 Willis E04F 15/10
52/403.1

1 Claim, 6 Drawing Sheets



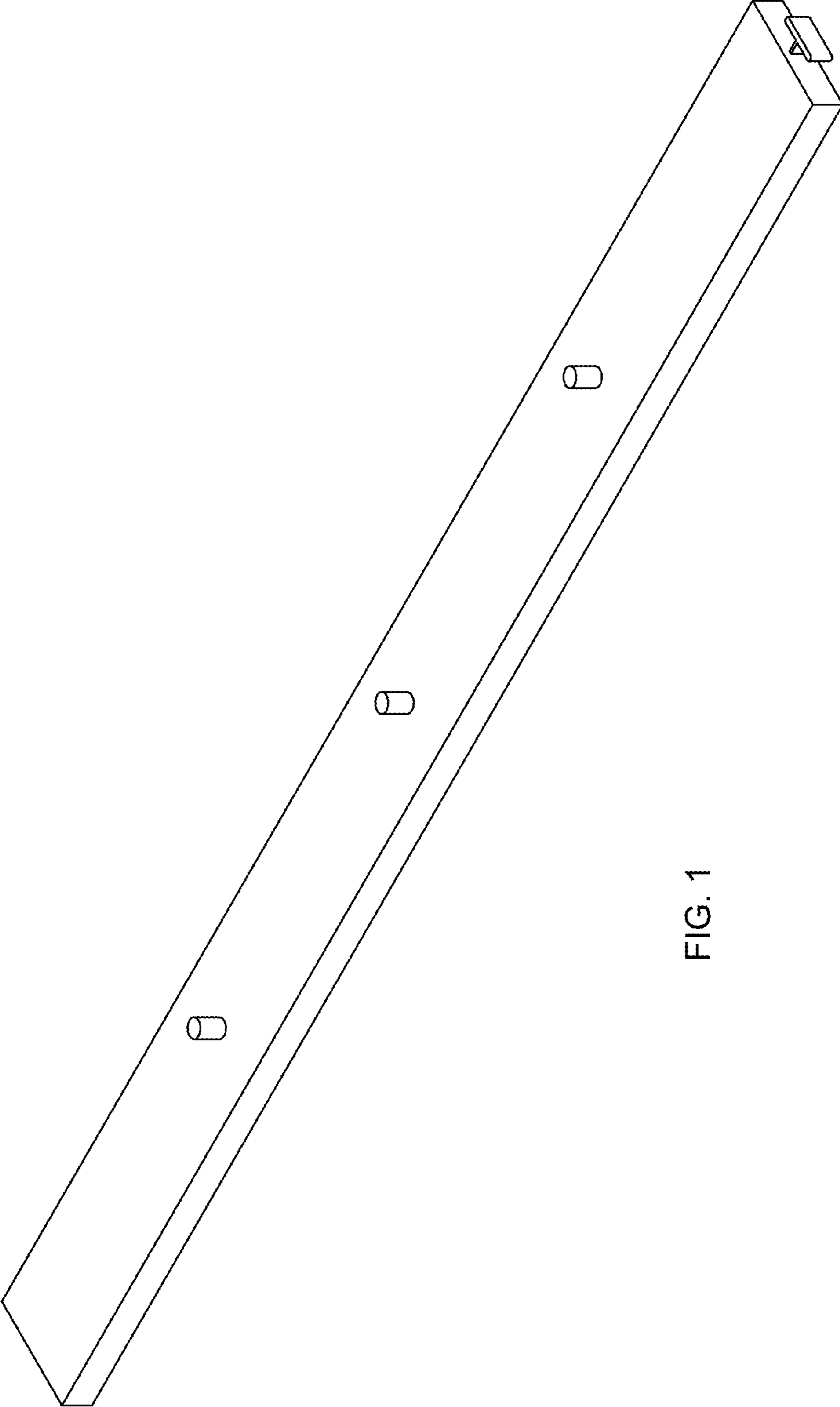


FIG. 1

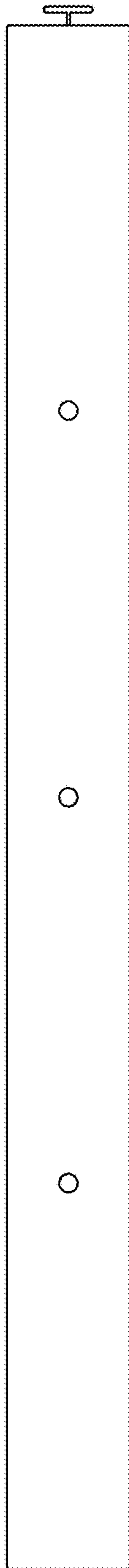


FIG. 2

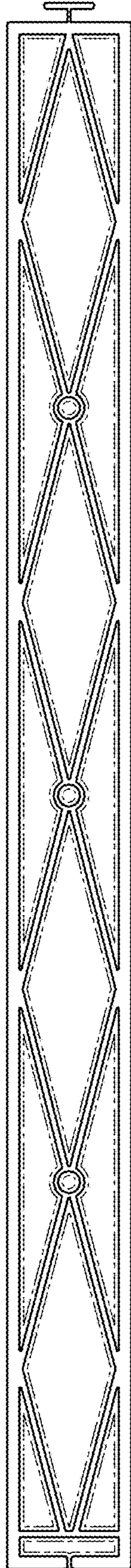


FIG. 3



FIG. 4

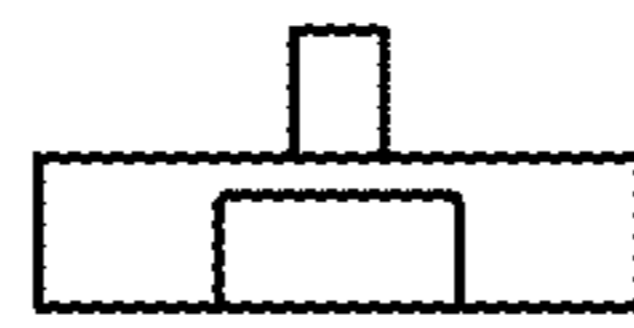


FIG. 5

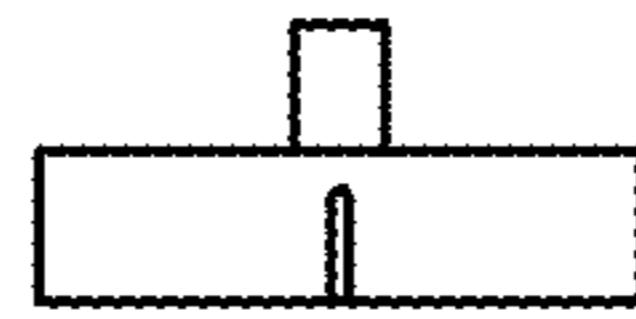


FIG. 6