



US00D782700S

(12) **United States Design Patent**  
**Rauta et al.**

(10) **Patent No.:** **US D782,700 S**  
(45) **Date of Patent:** **\*\* Mar. 28, 2017**

(54) **ACCESS GATE SET**

(71) Applicant: **KONE Corporation**, Helsinki (FI)

(72) Inventors: **Visa Rauta**, Hyvinkää (FI); **Tomi Kapiainen**, Helsinki (FI); **Kim Heikkinen**, Helsinki (FI)

(73) Assignee: **Kone Corporation** (FI)

(\*\*) Term: **14 Years**

(21) Appl. No.: **29/486,472**

(22) Filed: **Mar. 30, 2014**

(30) **Foreign Application Priority Data**

Sep. 30, 2013 (EM) ..... 002318030-0001  
Sep. 30, 2013 (EM) ..... 002318030-0002  
Sep. 30, 2013 (EM) ..... 002318030-0003

(51) **LOC (10) Cl.** ..... **25-02**

(52) **U.S. Cl.**  
USPC ..... **D25/48.5**

(58) **Field of Classification Search**  
USPC ..... D20/2; D25/48.1, 48.3, 48.5, 48.6;  
49/42-47, 324; 101/66  
CPC ..... E06B 11/085; E05F 15/649  
See application file for complete search history.

(56) **References Cited**

**U.S. PATENT DOCUMENTS**

D206,667 S \* 1/1967 Bakanowsky et al. .... D25/48.6  
D212,289 S \* 9/1968 Ensign ..... D25/48.6  
D234,431 S \* 3/1975 McGehee et al. .... D25/48.6  
D261,433 S \* 10/1981 Sugano ..... D20/2  
D261,434 S \* 10/1981 Sugano ..... D20/2  
D275,796 S \* 10/1984 Nishida ..... D25/48.5  
D275,797 S \* 10/1984 Nishida ..... D25/48.6  
D284,511 S \* 7/1986 Smith ..... D25/48.6  
D284,512 S \* 7/1986 Smith ..... D25/48.6

D284,705 S \* 7/1986 Smith ..... D25/48.6  
D592,761 S \* 5/2009 Gessford ..... D25/48.5  
D612,952 S \* 3/2010 Balastik ..... D25/48.6

(Continued)

**OTHER PUBLICATIONS**

<http://ifworlddesignguide.com/entry/150167-kone-kt100>, Retrieved Aug. 11, 2016.\*

*Primary Examiner* — Susan Bennett Hattan

*Assistant Examiner* — Leanne Was-Englehart

(74) *Attorney, Agent, or Firm* — Clinton H. Wilkinson;  
Charles A. Wilkinson

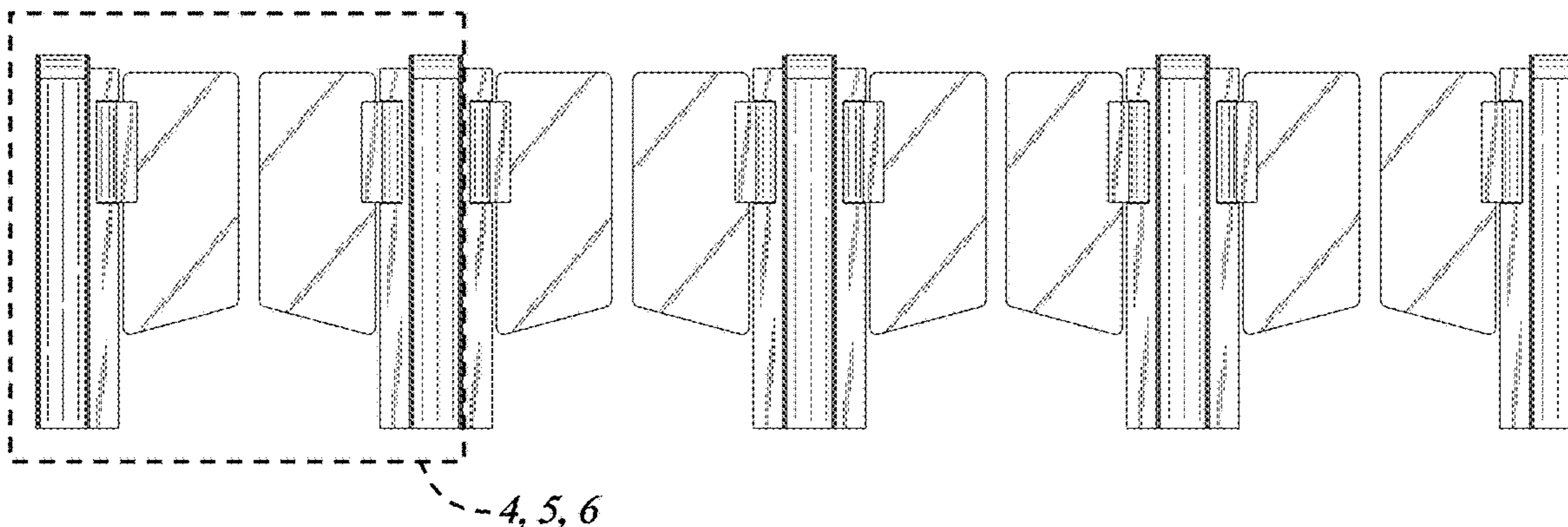
(57) **CLAIM**

The ornamental design for an access gate set, as shown and described.

**DESCRIPTION**

FIG. 1 is a top view of an access gate set showing our new design;  
FIG. 2 is a front and back side elevation view thereof, which views are mirror images;  
FIG. 3 is a right and left side elevation view thereof, which views are mirror images;  
FIG. 4 is an enlarged front and back side elevation view of the access gate set indicated by broken lines in FIG. 2;  
FIG. 5 is a perspective view of the access gate set shown in FIG. 4;  
FIG. 6 is a right and left side elevation view of the access gate set shown in FIG. 4; and,  
FIG. 7 is an enlarged partial view of the access gate set top section indicated by broken lines in FIG. 1.  
The broken lines in the FIGS. indicate areas of the access gate set for which there are enlarged views and form no part of the claimed design.

**1 Claim, 6 Drawing Sheets**



(56)

**References Cited**

U.S. PATENT DOCUMENTS

7,895,791 B2 \* 3/2011 Miller ..... E06B 11/085  
49/31  
D696,792 S \* 12/2013 Cheong ..... D25/48.5  
D729,409 S \* 5/2015 Friedli ..... D25/48.6  
D757,300 S \* 5/2016 Haberland ..... D25/48.1  
2006/0101716 A1 \* 5/2006 Vandyck ..... G07C 9/02  
49/35  
2007/0271846 A1 \* 11/2007 Miller ..... E06B 11/085  
49/49  
2009/0025295 A1 \* 1/2009 Ropelato ..... E06B 11/085  
49/46  
2009/0307976 A1 \* 12/2009 Burgin ..... G07C 9/02  
49/47  
2012/0031006 A1 \* 2/2012 Katagata ..... B61B 1/02  
49/360  
2016/0010378 A1 \* 1/2016 Ziemkowski ..... E06B 11/085  
49/31

\* cited by examiner

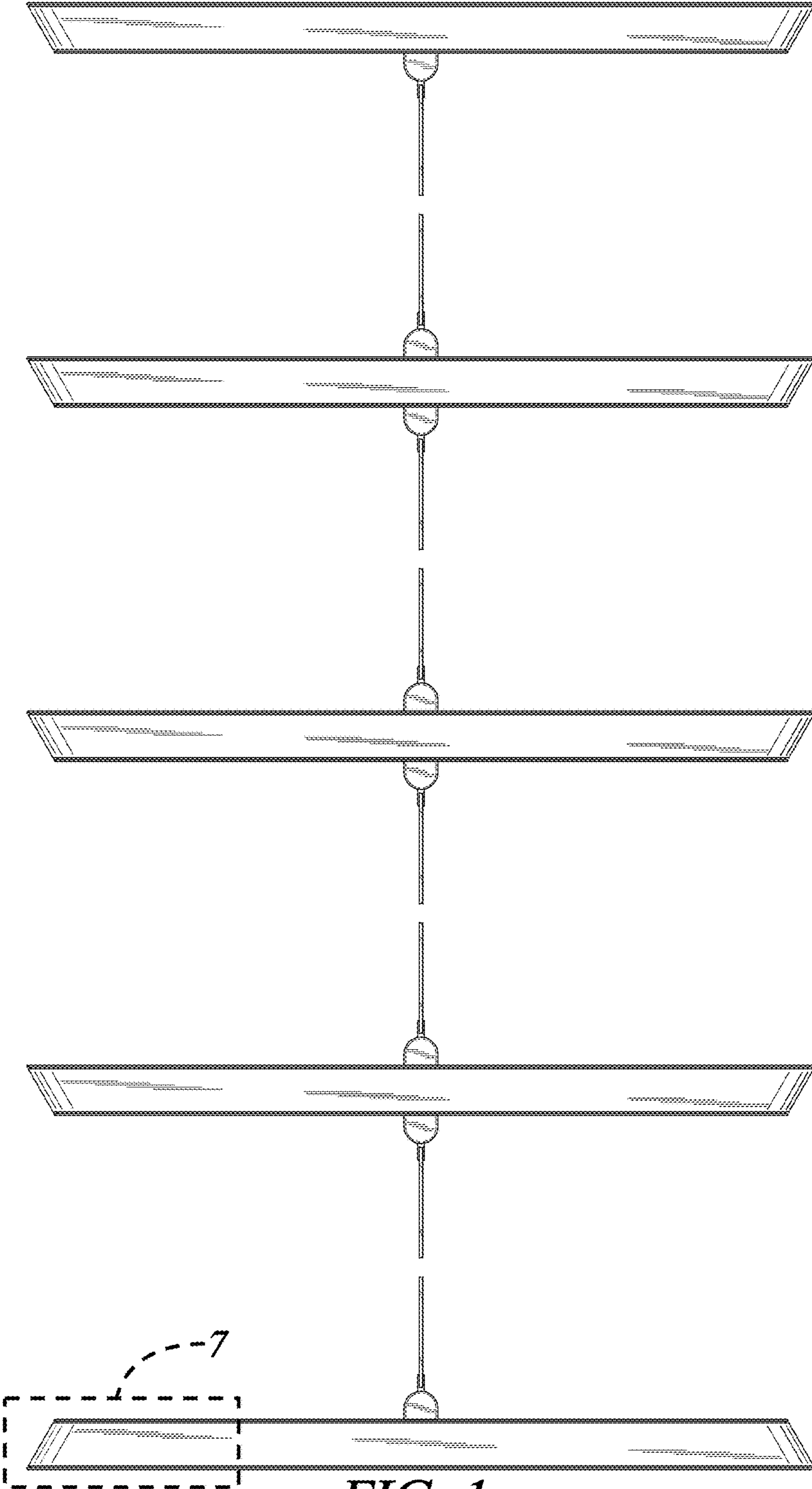


FIG. 1

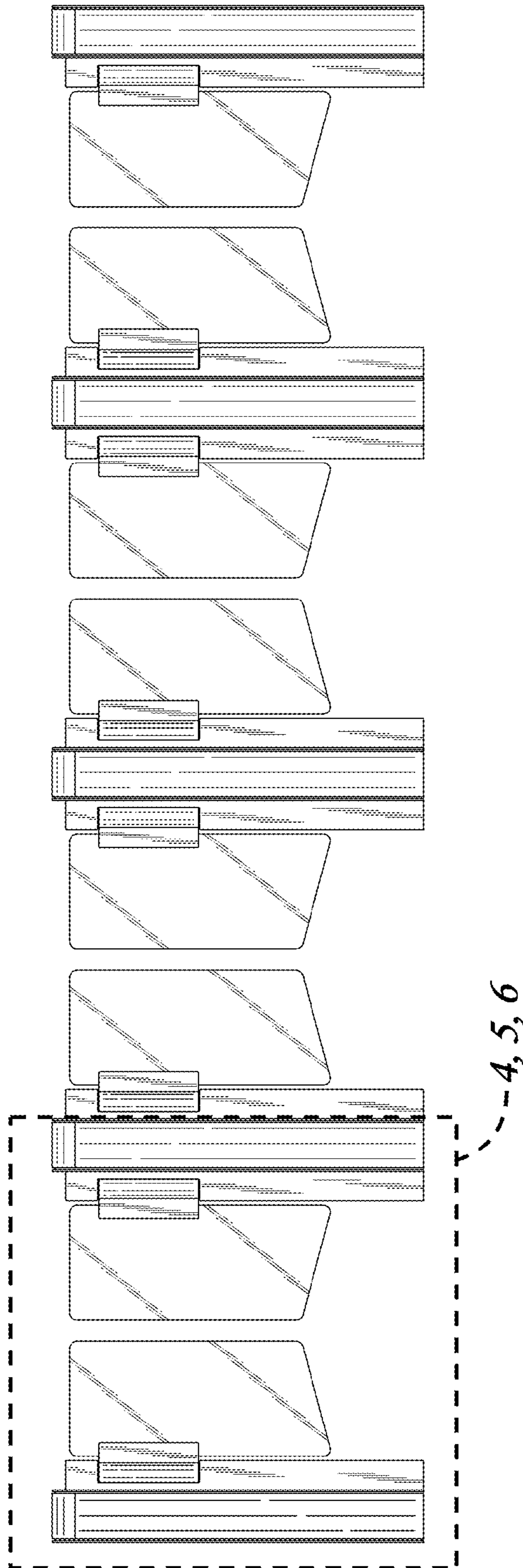
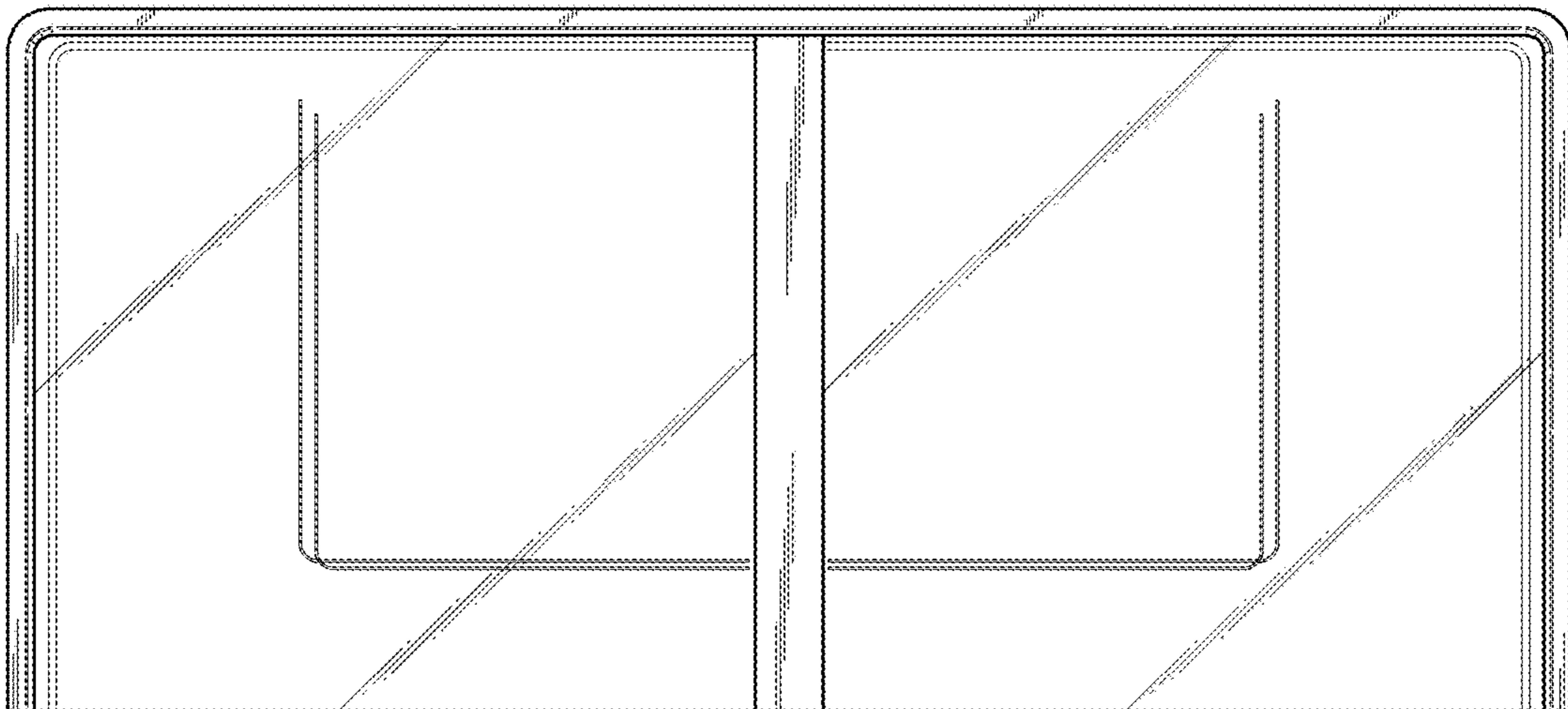


FIG. 2



*FIG. 3*

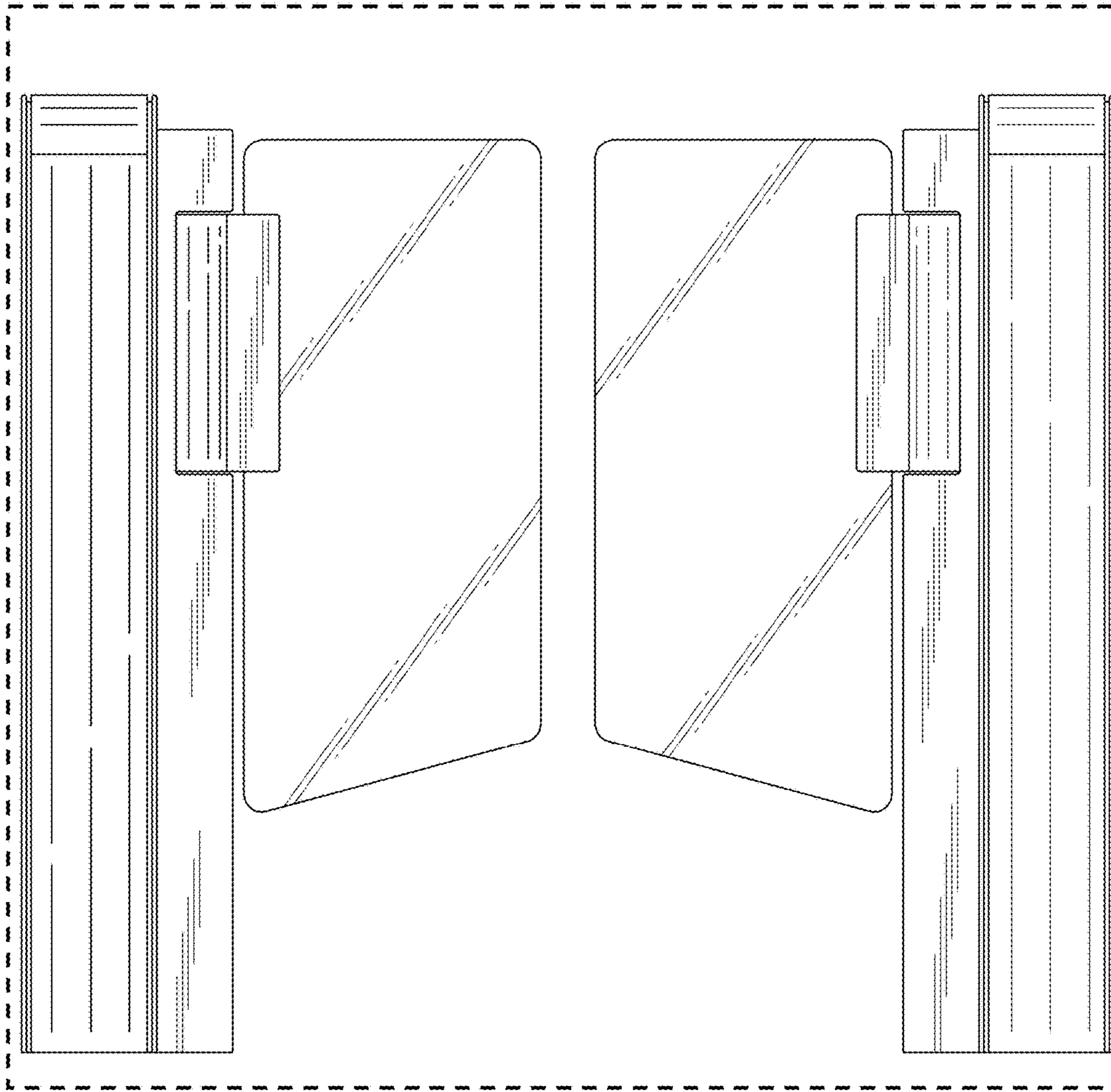
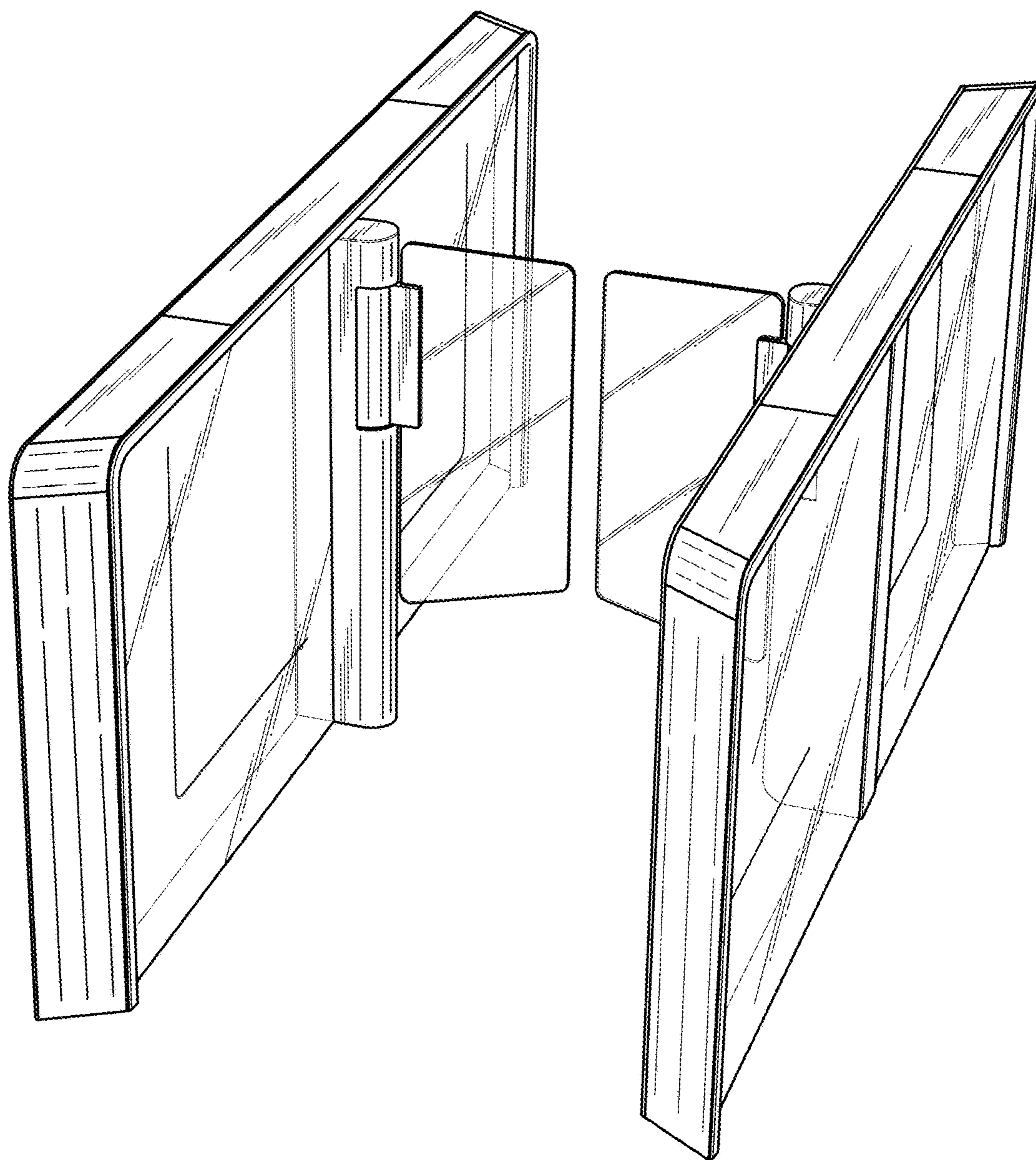
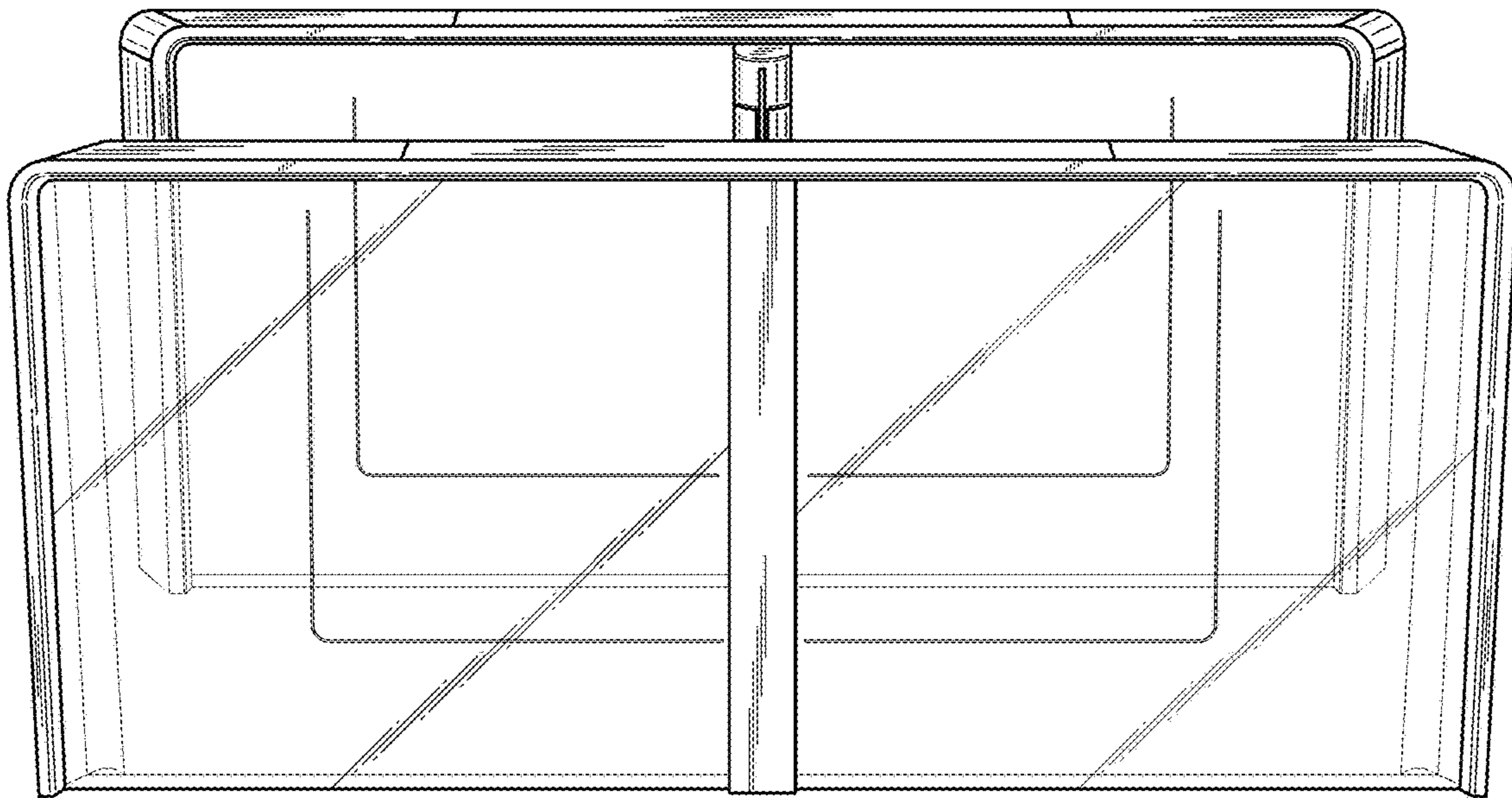


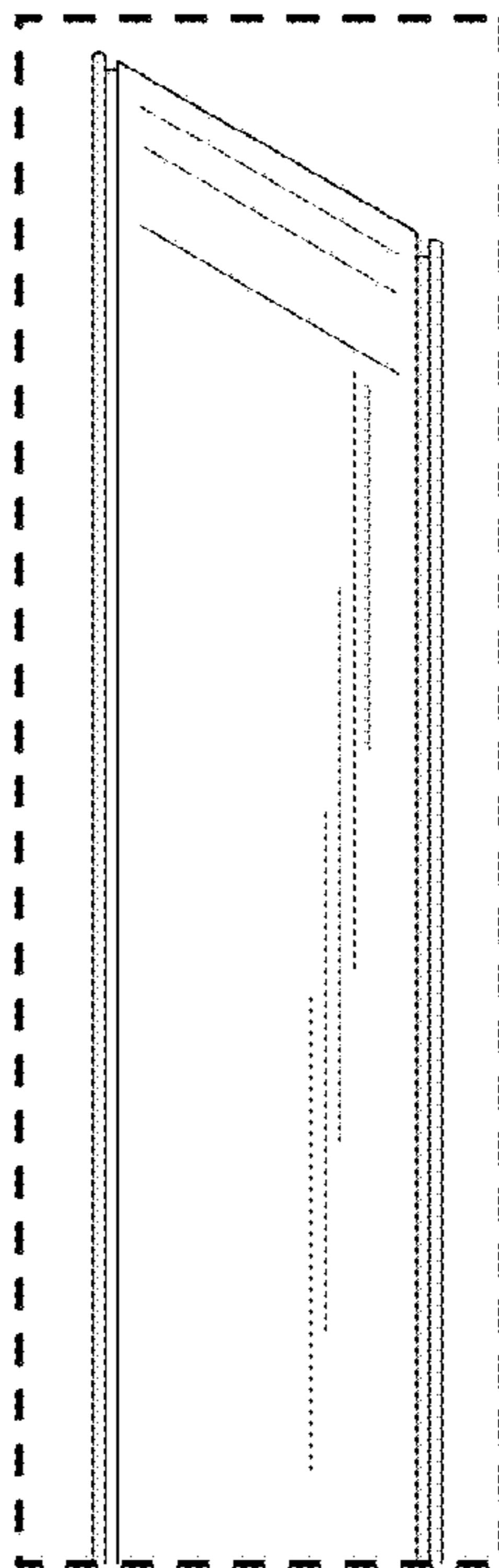
FIG. 4



*FIG. 5*



*FIG. 6*



*FIG. 7*