

US00D782699S

(12) **United States Design Patent**
Carroll

(10) **Patent No.:** **US D782,699 S**
(45) **Date of Patent:** **** Mar. 28, 2017**

- (54) **STORAGE GUARD**
- (71) Applicant: **Michael Jay Carroll**, Truckee, CA
(US)
- (72) Inventor: **Michael Jay Carroll**, Truckee, CA
(US)
- (**) Term: **15 Years**
- (21) Appl. No.: **29/532,843**
- (22) Filed: **Jul. 10, 2015**
- (51) **LOC (10) Cl.** **25-02**
- (52) **U.S. Cl.**
USPC **D25/48.2**
- (58) **Field of Classification Search**
USPC D25/48.1, 48.2, 48.3, 48.4, 48.8, 119,
D25/121, 126, 136, 164; 49/467-470,
49/475.1, 489.1, 490; 52/207, 211
CPC E06B 1/00; E06B 7/16; E06B 7/26; E06B
7/2316
See application file for complete search history.

- 5,877,905 A * 3/1999 Schwartz G02B 7/183
248/466
- D459,493 S * 6/2002 Thornton D25/126
- D685,504 S * 7/2013 Farucci D25/164
- D774,212 S * 12/2016 Malpesa Guerrero D25/113
- 2012/0222361 A1* 9/2012 Farucci E06B 7/2316
49/475.1
- 2016/0090705 A1* 3/2016 Scherkl E02B 3/14
405/114

* cited by examiner

Primary Examiner — Susan Bennett Hattan
Assistant Examiner — Leanne Was-Englehart

(57) **CLAIM**

The ornamental design for a storage guard, as shown and described.

DESCRIPTION

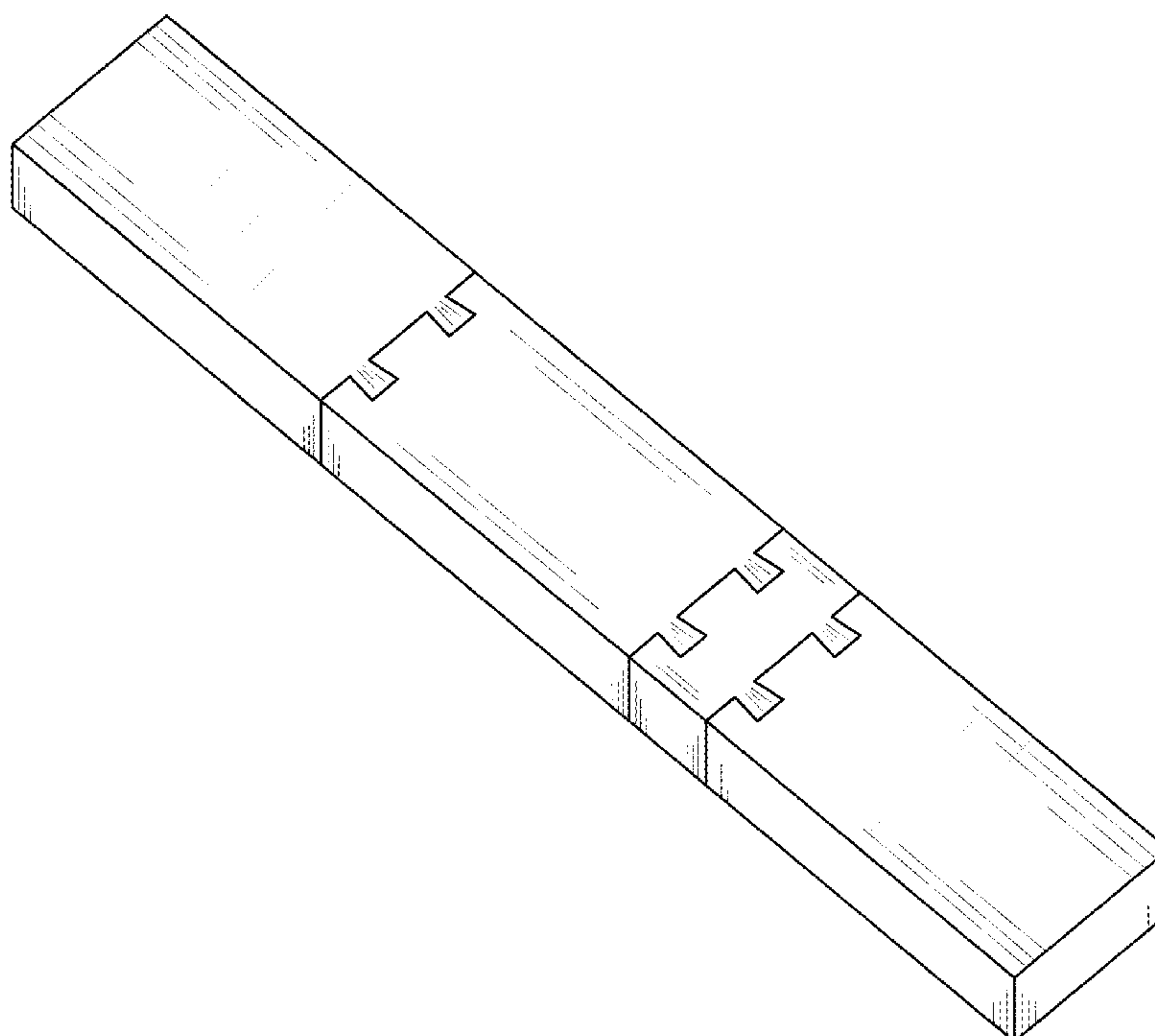
FIG. 1 is a perspective view of storage guard showing my new design;
 FIG. 2 is a front elevational view thereof;
 FIG. 3 is a rear elevational view thereof;
 FIG. 4 is a left side elevational view thereof;
 FIG. 5 is a right side elevational view thereof;
 FIG. 6 is a top plan view thereof;
 FIG. 7 is a bottom plan view thereof;
 FIG. 8 is a top exploded view thereof;
 FIG. 9 is a bottom exploded view thereof;
 FIG. 10 is a left exploded view thereof; and,
 FIG. 11 is a right exploded view thereof.

1 Claim, 11 Drawing Sheets

(56) **References Cited**

U.S. PATENT DOCUMENTS

- 600,984 A * 3/1898 Wilson E06B 1/70
49/304
- 3,004,593 A * 10/1961 Jeskin E06B 9/15
160/201
- D269,552 S * 6/1983 Atkinson D25/113
- D314,240 S * 1/1991 Scheiwiller D25/113
- 5,072,952 A * 12/1991 Irrgeher E04B 1/6812
277/652



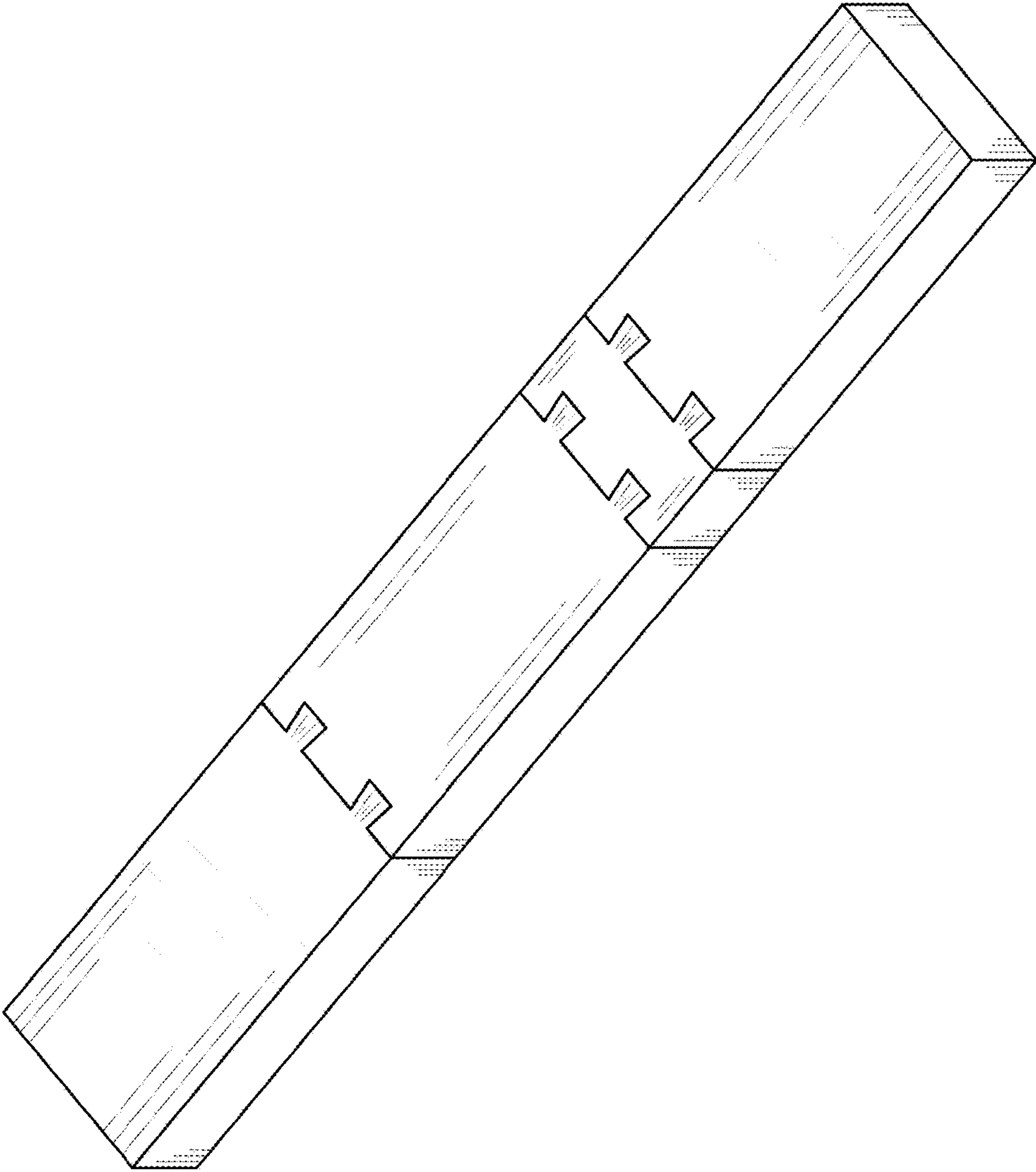


FIG. 1



FIG. 2

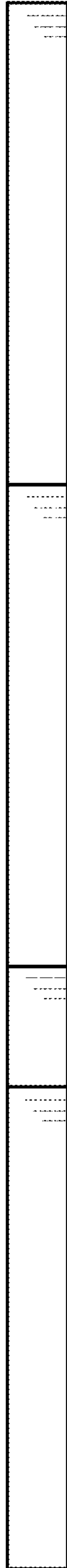


FIG. 3



FIG. 4



FIG. 5

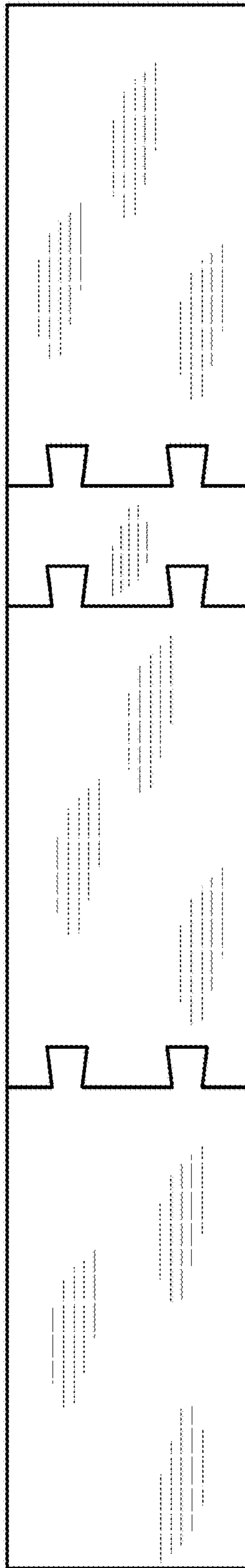


FIG. 6

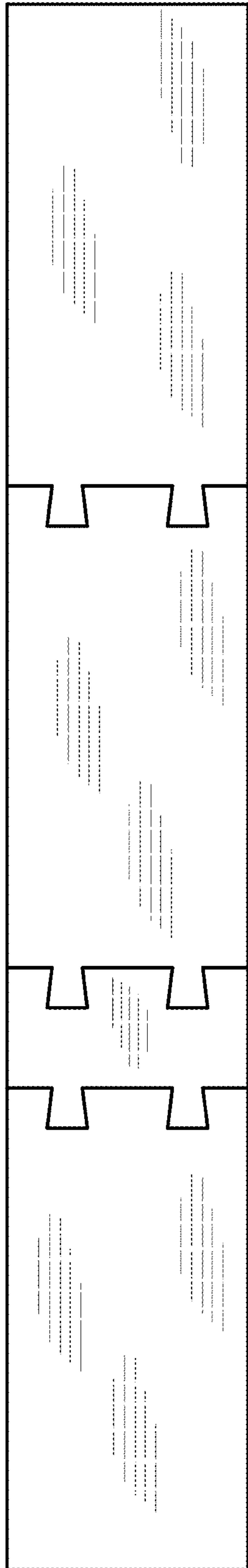


FIG. 7

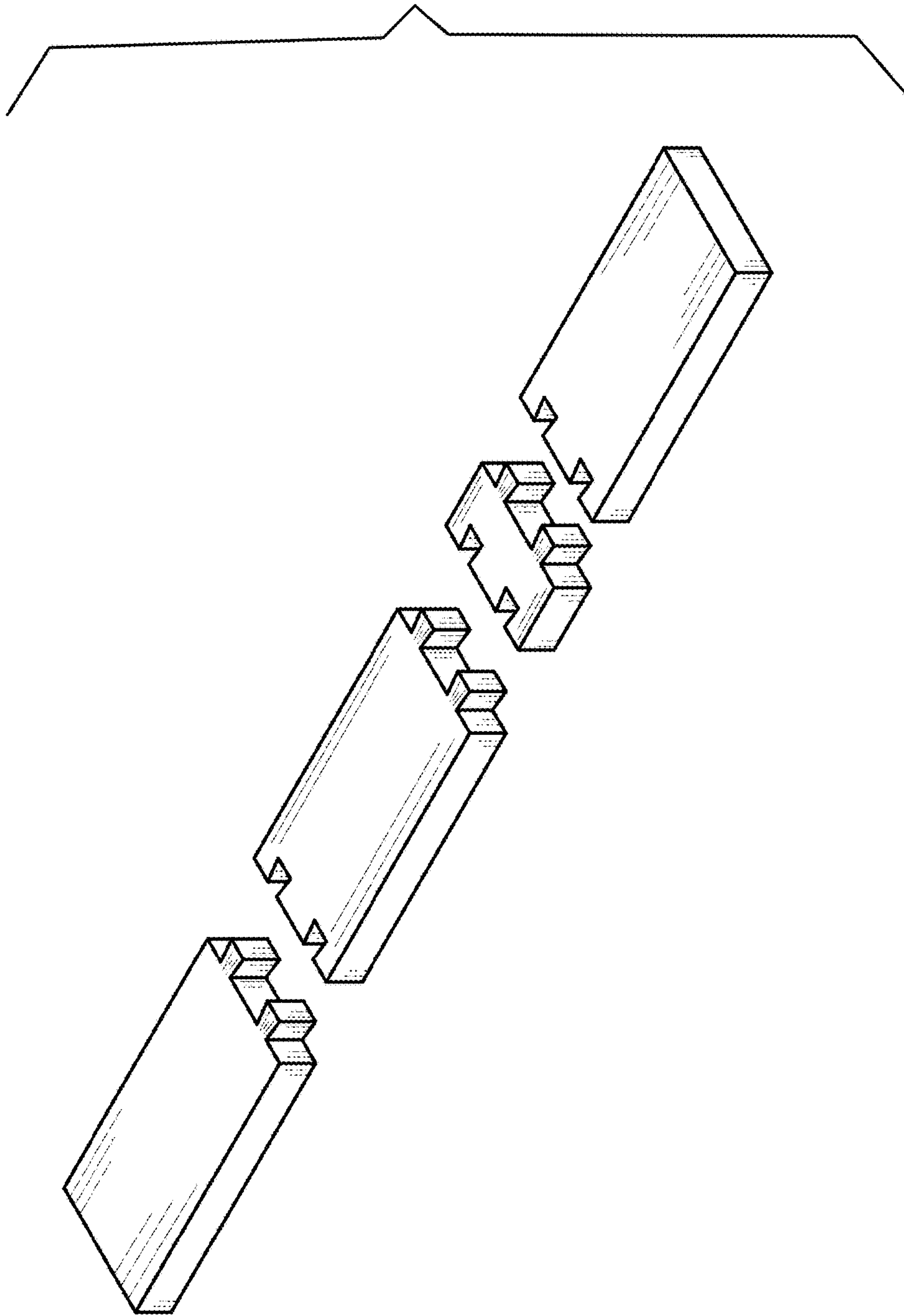


FIG. 8

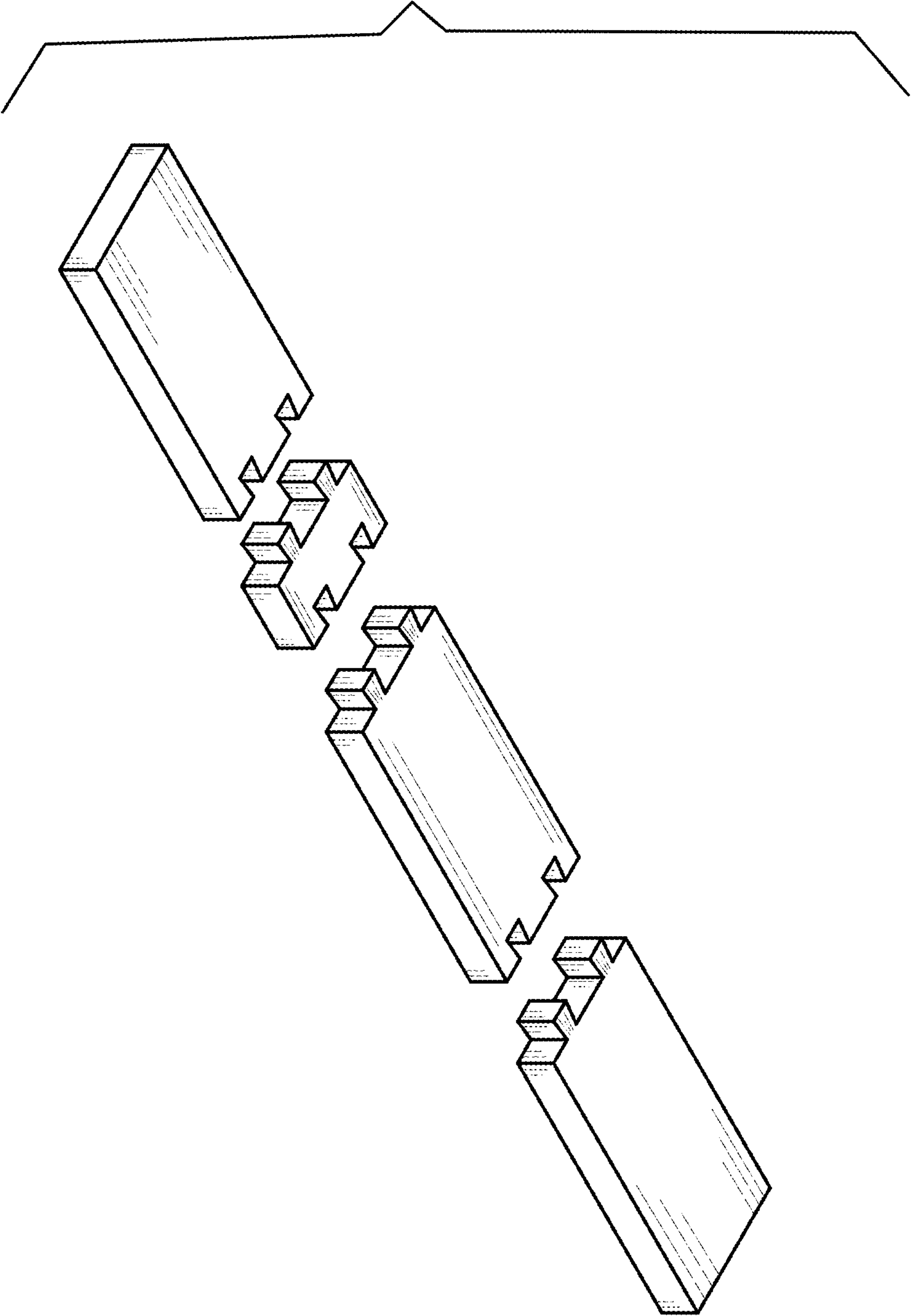


FIG. 9

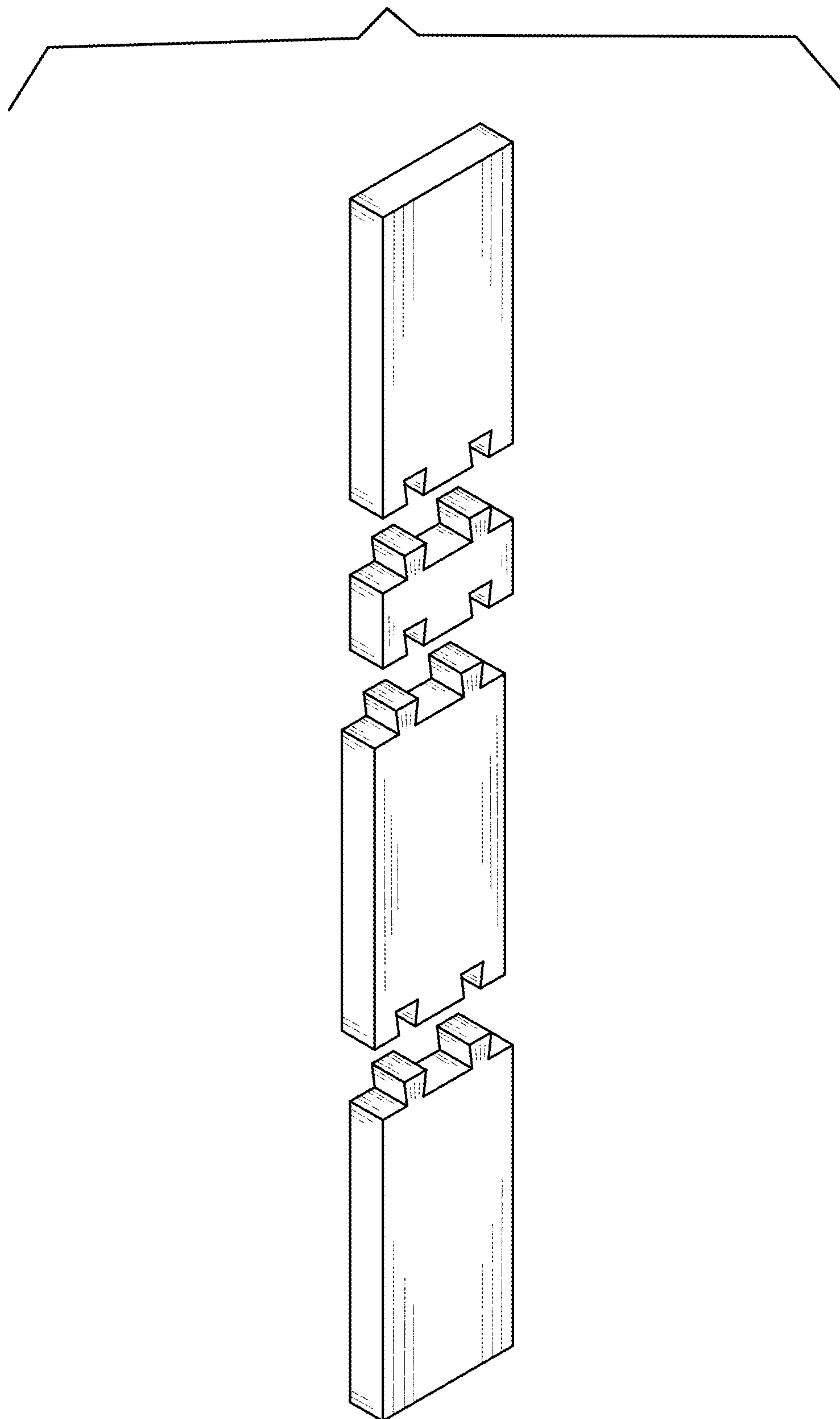


FIG. 10

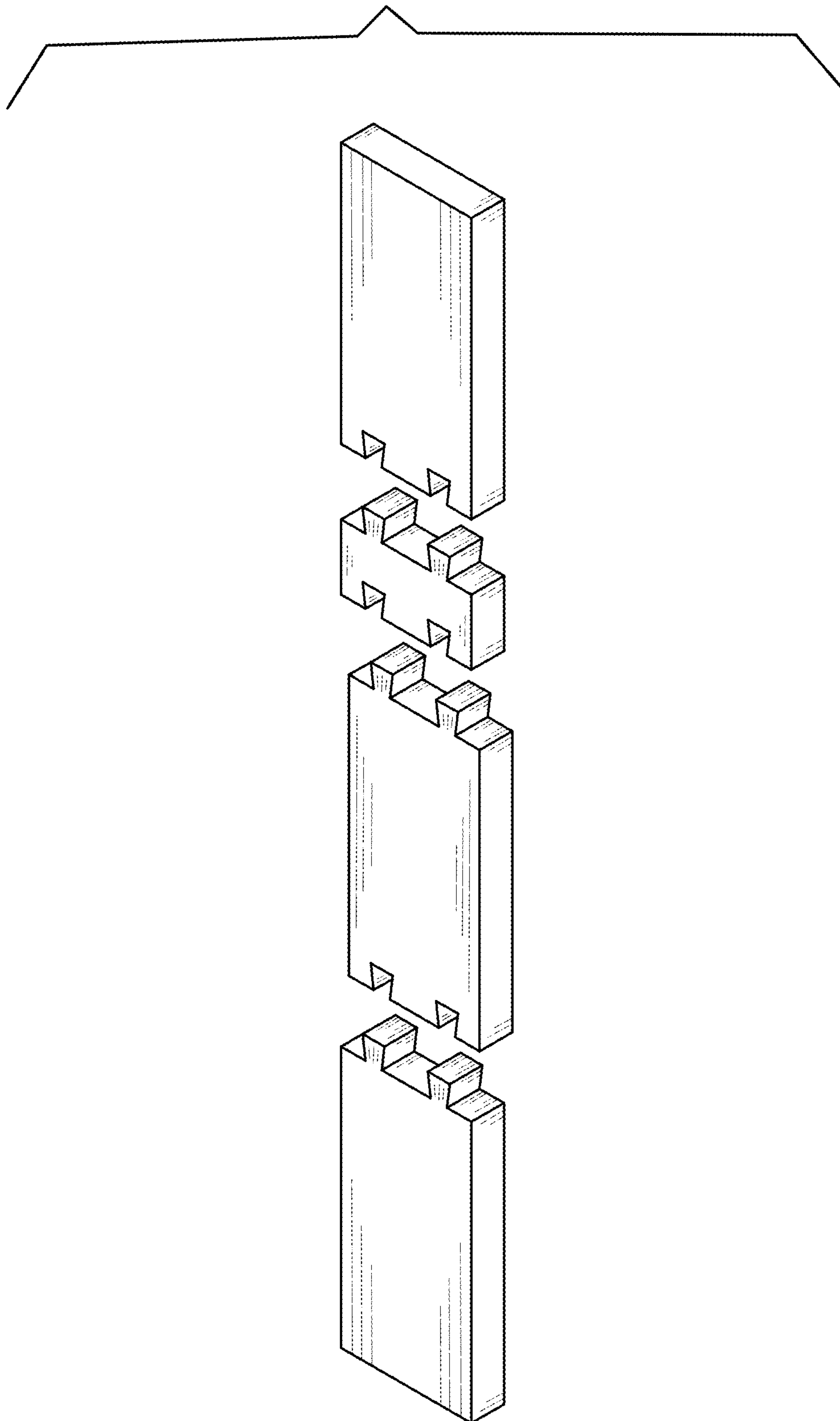


FIG. 11