



US00D782698S

(12) **United States Design Patent** (10) **Patent No.:** **US D782,698 S**  
**Bizzarri et al.** (45) **Date of Patent:** **\*\* Mar. 28, 2017**

(54) **RAIL**

CPC . E04B 1/38; E04B 2/30; E04F 11/181; E04H 17/20; E04H 17/1421; E04H 2017/006; E04H 2017/1473; E04H 2017/1482  
See application file for complete search history.

(71) Applicant: **CPG International LLC**, Scranton, PA (US)

(72) Inventors: **Paul M. Bizzarri**, Mason, OH (US); **Chip Herr**, Columbus, OH (US); **John M. Previte**, Dublin, OH (US); **Kevin T. Burt**, Columbus, OH (US); **William G. Taylor**, Columbus, OH (US); **Matthew T. Fenneman**, Gahanna, OH (US); **Jeffrey R. Burr**, Loveland, OH (US); **Timothy C. Rothwell**, Dublin, OH (US)

(56) **References Cited**

U.S. PATENT DOCUMENTS

1,049,502 A 1/1913 Long et al.  
1,087,576 A 2/1914 Fernald  
(Continued)

FOREIGN PATENT DOCUMENTS

CA 1213767 A 11/1986  
CA D80640 5/1997  
(Continued)

(73) Assignee: **CPG International LLC**, Scranton, PA (US)

(\*\*) Term: **14 Years**

OTHER PUBLICATIONS

(21) Appl. No.: **29/520,849**

Advanced Environmental Recycling Technologies, Inc., Composite Railing Installation, www.moistureshield.com, Jul. 2015.

(22) Filed: **Mar. 18, 2015**

(Continued)

**Related U.S. Application Data**

(63) Continuation of application No. 13/461,496, filed on May 1, 2012, which is a continuation of application (Continued)

*Primary Examiner* — Cynthia Ramirez

*Assistant Examiner* — Llorellys Martinez-Rivera

(74) *Attorney, Agent, or Firm* — Standley Law Group LLP

(51) **LOC (10) Cl.** ..... **25-02**

(57) **CLAIM**

(52) **U.S. Cl.**  
USPC ..... **D25/38.1**; D25/121

The ornamental design for a rail, as shown and described.

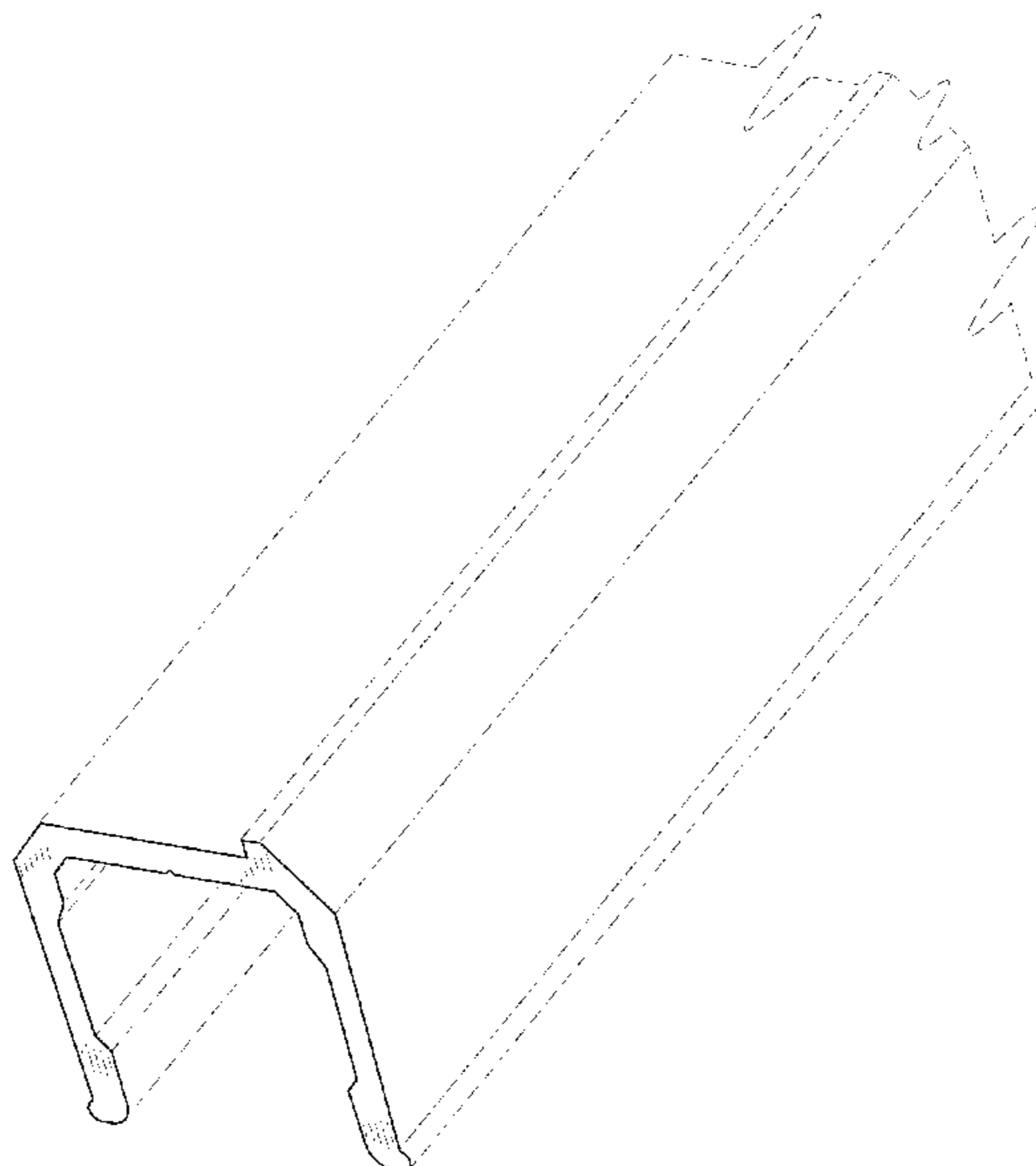
(58) **Field of Classification Search**

USPC ..... D25/38.1, 39, 40, 41.1, 42, 43, 44, 114, D25/119-124, 133-136, 164; 52/204.1, 52/204.2, 204.5, 204.53, 204.55, 214, 52/204.56, 208, 209, 254-257, 264, 265, 52/267, 293.1, 293.3; D20/42, 43, 44; D34/35; 256/19, 59, 65.02, 65.03, 65.04, 256/65.08, 65.15, 65.16

**DESCRIPTION**

FIG. 1 is an elevation view of a rail showing our new design; and, FIG. 2 is a perspective view of the rail of FIG. 1. The broken lines in FIG. 2 indicate environment that forms no part of the claimed design.

**1 Claim, 2 Drawing Sheets**



**Related U.S. Application Data**

No. 12/831,064, filed on Jul. 6, 2010, now Pat. No. 8,167,275, which is a continuation of application No. 11/292,269, filed on Nov. 30, 2005, now abandoned.

(56)

**References Cited**

## U.S. PATENT DOCUMENTS

2,072,687 A	3/1937	Robinson	4,012,348 A	3/1977	Chelland et al.
2,153,316 A	4/1939	Sherrard et al.	4,014,520 A	3/1977	Walters
2,156,160 A	4/1939	Olson et al.	4,016,232 A	4/1977	Pringle
2,188,396 A	1/1940	Semon	4,016,233 A	4/1977	Pringle
2,306,274 A	12/1942	Meiler	4,018,722 A	4/1977	Baker
2,316,283 A	4/1943	Piperoux et al.	4,027,855 A	6/1977	Lauzier
2,451,558 A	10/1948	Schlosser	4,029,831 A	6/1977	Daunheimer
2,489,373 A	11/1949	Gilman	4,045,603 A	8/1977	Smith
2,519,442 A	8/1950	Delorme et al.	4,048,101 A	9/1977	Nakamachi et al.
2,535,373 A	12/1950	Shearer et al.	4,056,591 A	11/1977	Goettler et al.
2,558,378 A	6/1951	Petry	4,058,580 A	11/1977	Flanders
D169,234 S	3/1953	Woodworth	4,071,479 A	1/1978	Broyde et al.
2,634,534 A	4/1953	Brown	4,071,494 A	1/1978	Gaylord
2,635,976 A	4/1953	Meiler et al.	4,073,477 A	2/1978	Walters
2,680,102 A	6/1954	Becher	4,081,582 A	3/1978	Butterworth et al.
2,759,837 A	8/1956	Roberts	4,091,153 A	5/1978	Holman
2,789,903 A	4/1957	Lukman et al.	4,097,648 A	6/1978	Pringle
2,808,233 A	10/1957	Spescha	4,100,325 A	7/1978	Summers et al.
2,932,488 A	4/1960	Dotson	4,101,050 A	7/1978	Buckler et al.
2,935,763 A	5/1960	Newman et al.	4,102,106 A	7/1978	Golder et al.
D189,447 S	12/1960	Attwood	4,107,110 A	8/1978	Lachowicz et al.
2,976,164 A	3/1961	Glab	4,115,497 A	9/1978	Halmo et al.
3,031,217 A	4/1962	Tinnerman	4,129,132 A	12/1978	Butterworth et al.
3,136,530 A	6/1964	Case	4,133,930 A	1/1979	Wright et al.
D199,024 S	9/1964	Huret	D251,451 S	3/1979	Toder
D200,702 S	3/1965	Huret	4,145,389 A	3/1979	Smith
3,287,480 A	11/1966	Wechsler et al.	4,157,415 A	6/1979	Lindenberg
3,308,218 A	3/1967	Wiegand et al.	4,168,251 A	9/1979	Schinzel et al.
3,309,444 A	3/1967	Schueler	4,178,411 A	12/1979	Cole et al.
3,313,527 A	4/1967	Eriksson	4,181,764 A	1/1980	Totten
D210,519 S	3/1968	Kusel	4,187,352 A	2/1980	Klobbie
3,420,505 A	1/1969	Jefferys	4,191,798 A	3/1980	Schumacher et al.
3,463,456 A	8/1969	Walker	4,192,839 A	3/1980	Hayashi et al.
3,471,128 A	10/1969	Jeffreys	4,198,363 A	4/1980	Noel
3,492,388 A	1/1970	Inglin-Knuse	4,203,876 A	5/1980	Dereppe et al.
3,493,527 A	2/1970	Schueler	4,228,116 A	10/1980	Colombo et al.
3,498,589 A	3/1970	Murdock	4,239,679 A	12/1980	Rolls et al.
3,533,906 A	10/1970	Reiniger	4,241,125 A	12/1980	Canning et al.
3,562,373 A	2/1971	Logrippo	4,241,133 A	12/1980	Lund et al.
3,596,880 A	8/1971	Greenberg	4,244,903 A	1/1981	Schnause
3,645,939 A	2/1972	Gaylord	4,248,743 A	2/1981	Goettler
3,671,615 A	6/1972	Price	4,248,820 A	2/1981	Haataja
3,707,276 A	12/1972	Francis et al.	4,250,222 A	2/1981	Mavel et al.
3,715,849 A	2/1973	Strassle	4,260,277 A	4/1981	Daniels
3,756,567 A	9/1973	Murdock	4,263,184 A	4/1981	Leo et al.
3,769,380 A	10/1973	Wiley	4,263,196 A	4/1981	Schumacher et al.
3,804,374 A	4/1974	Thom	4,272,577 A	6/1981	Lyng
3,852,387 A	12/1974	Bortnick et al.	4,273,688 A	6/1981	Porzel et al.
3,858,850 A	1/1975	Maxcy et al.	4,277,428 A	7/1981	Luck et al.
3,864,201 A	2/1975	Susuki et al.	4,290,988 A	9/1981	Nopper et al.
3,867,493 A	2/1975	Seki	4,297,408 A	10/1981	Stead et al.
3,878,143 A	4/1975	Baumann et al.	4,303,019 A	12/1981	Haataja et al.
3,879,017 A	4/1975	Maxcy et al.	4,305,901 A	12/1981	Prince et al.
3,879,505 A	4/1975	Boutillier et al.	4,317,765 A	3/1982	Gaylord
3,888,810 A	6/1975	Shinomura	4,323,625 A	4/1982	Coran et al.
3,899,559 A	8/1975	Johnanson et al.	4,351,873 A	9/1982	Davis
3,908,902 A	9/1975	Collins et al.	4,352,485 A	10/1982	Basey
3,918,686 A	11/1975	Knott et al.	4,376,144 A	3/1983	Goettler
3,922,328 A	11/1975	Johnson	4,382,108 A	5/1983	Carroll et al.
3,931,384 A	1/1976	Forquer et al.	4,382,758 A	5/1983	Nopper et al.
3,943,079 A	3/1976	Hamed	4,393,020 A	7/1983	Li et al.
3,944,178 A	3/1976	Greenwood	4,414,267 A	11/1983	Coran et al.
3,954,555 A	5/1976	Kole et al.	4,420,351 A	12/1983	Lussi et al.
3,955,800 A	5/1976	Russo	4,421,302 A	12/1983	Grimm et al.
3,956,541 A	5/1976	Pringle	4,430,468 A	2/1984	Schumacher
3,956,555 A	5/1976	McKean	4,440,708 A	4/1984	Haataja et al.
3,969,459 A	7/1976	Fremont et al.	4,451,025 A	5/1984	Spera
4,005,035 A	1/1977	Deaver	4,480,061 A	10/1984	Coughlin et al.
4,005,162 A	1/1977	Bucking	4,480,573 A	11/1984	Barbour
			4,481,701 A	11/1984	Hewitt
			4,491,553 A	1/1985	Yamada et al.
			4,503,115 A	3/1985	Hemels et al.
			4,505,869 A	3/1985	Nishibori
			4,506,037 A	3/1985	Suzuki et al.
			4,508,595 A	4/1985	Gasland
			4,518,552 A	5/1985	Matsuo et al.
			4,523,735 A	6/1985	Beck et al.
			4,562,218 A	12/1985	Fornadel et al.
			4,594,372 A	6/1986	Natov et al.

(56)

## References Cited

## U.S. PATENT DOCUMENTS

4,597,928 A	7/1986	Terentiev et al.	5,219,634 A	6/1993	Aufderhaar
4,610,900 A	9/1986	Nishibori	5,230,186 A	7/1993	Hammonds et al.
4,645,631 A	2/1987	Hegenstaller et al.	5,234,652 A	8/1993	Woodhams et al.
4,659,754 A	4/1987	Edwards et al.	5,258,232 A	11/1993	Summers et al.
4,663,225 A	5/1987	Farley et al.	5,272,000 A	12/1993	Chenoweth et al.
4,686,251 A	8/1987	Ostermann et al.	5,276,082 A	1/1994	Forry et al.
4,687,793 A	8/1987	Motegi et al.	5,284,710 A	2/1994	Hartley et al.
4,708,623 A	11/1987	Aoki et al.	5,288,772 A	2/1994	Hon
D293,718 S	1/1988	Poma	5,302,634 A	4/1994	Mushovic
4,717,742 A	1/1988	Beshay	5,350,156 A	9/1994	Cote et al.
4,722,514 A	2/1988	Pettit	5,356,697 A	10/1994	Jonas
4,734,236 A	3/1988	Davis	5,369,147 A	11/1994	Mushovic
4,737,532 A	4/1988	Fujita et al.	5,387,381 A	2/1995	Saloom
4,744,930 A	5/1988	Twist et al.	5,393,536 A	2/1995	Brandt et al.
4,746,688 A	5/1988	Bistak et al.	5,404,683 A	4/1995	Hammonds et al.
4,769,109 A	9/1988	Tellvik et al.	5,406,768 A	4/1995	Giuseppe et al.
4,769,274 A	9/1988	Tellvik et al.	5,413,745 A	5/1995	Andersson
4,783,493 A	11/1988	Motegi et al.	D358,982 S	6/1995	Bosgoed
4,789,604 A	12/1988	van der Hoeven	5,422,170 A	6/1995	Iwata et al.
4,790,966 A	12/1988	Sandberg et al.	5,423,933 A	6/1995	Horian
4,791,020 A	12/1988	Kokta	5,435,954 A	7/1995	Wold
4,800,214 A	1/1989	Waki et al.	5,441,801 A	8/1995	Deaner et al.
4,801,495 A	1/1989	van der Hoeven	5,443,244 A	8/1995	Gibbs
4,818,590 A	4/1989	Prince et al.	5,443,887 A	8/1995	Nakao
4,818,604 A	4/1989	Tock	5,458,834 A	10/1995	Faber et al.
4,820,749 A	4/1989	Beshay	5,474,722 A	12/1995	Woodhams
4,833,194 A	5/1989	Kuan et al.	5,480,602 A	1/1996	Nagaich
4,844,766 A	7/1989	Held	5,486,553 A	1/1996	Deaner et al.
4,851,458 A	7/1989	Hopperdietzel	5,497,594 A	3/1996	Giuseppe et al.
4,865,788 A	9/1989	Davis	5,505,900 A	4/1996	Suwanda et al.
4,889,673 A	12/1989	Takimoto	5,516,472 A	5/1996	Laver
4,894,192 A	1/1990	Warych	5,518,677 A	5/1996	Deaner et al.
4,915,764 A	4/1990	Miani	5,532,065 A	7/1996	Gubitz et al.
4,927,572 A	5/1990	van der Hoeven	5,537,789 A	7/1996	Minke et al.
4,927,579 A	5/1990	Moore	5,538,777 A	7/1996	Pauley et al.
4,935,182 A	6/1990	Ehner et al.	5,539,027 A	7/1996	Deaner et al.
4,960,548 A	10/1990	Ikeda et al.	5,544,866 A	8/1996	Dye
4,968,463 A	11/1990	Levasseur	D375,573 S	11/1996	Andres
4,973,440 A	11/1990	Tamura et al.	5,573,227 A	11/1996	Hemauer et al.
4,978,489 A	12/1990	Radvan et al.	5,574,094 A	11/1996	Malucelli et al.
4,988,478 A	1/1991	Held	5,576,374 A	11/1996	Betso et al.
4,995,591 A	2/1991	Humphrey et al.	5,585,155 A	12/1996	Heikkila et al.
5,002,713 A	3/1991	Palardy et al.	5,593,625 A	1/1997	Riebel et al.
5,008,310 A	4/1991	Beshay	5,601,279 A	2/1997	Schwartz et al.
5,008,975 A	4/1991	Wang et al.	5,624,616 A	4/1997	Brooks
5,009,586 A	4/1991	Pallmann	5,649,688 A	7/1997	Baker
5,029,818 A	7/1991	Katz	5,683,074 A	11/1997	Purvis et al.
5,049,334 A	9/1991	Bach	5,695,874 A	12/1997	Deaner et al.
5,055,247 A	10/1991	Ueda et al.	5,711,349 A	1/1998	Wissmann
5,057,167 A	10/1991	Gersbeck	5,713,171 A	2/1998	Andres
5,064,592 A	11/1991	Ueda et al.	5,725,939 A	3/1998	Nishibori
5,075,057 A	12/1991	Hoedl	5,735,092 A	4/1998	Clayton et al.
5,075,359 A	12/1991	Castagna et al.	5,744,210 A	4/1998	Hofmann et al.
5,078,937 A	1/1992	Eela	5,759,680 A	6/1998	Brooks et al.
5,082,605 A	1/1992	Brooks et al.	5,771,646 A	6/1998	DeSouza
5,087,400 A	2/1992	Theuveny	5,773,138 A	6/1998	Seethamraju et al.
5,088,910 A	2/1992	Goforth et al.	5,776,841 A	7/1998	Bondoc et al.
5,091,436 A	2/1992	Frisch et al.	5,783,125 A	7/1998	Bastone et al.
5,096,046 A	3/1992	Goforth et al.	5,788,224 A	8/1998	Platt
5,096,406 A	3/1992	Brooks et al.	5,795,641 A	8/1998	Pauley et al.
5,110,663 A	5/1992	Nishiyama et al.	5,807,514 A	9/1998	Grinshpun et al.
5,110,843 A	5/1992	Bries et al.	5,827,462 A	10/1998	Brandt et al.
5,120,776 A	6/1992	Raj et al.	5,827,607 A	10/1998	Deaner et al.
5,145,891 A	9/1992	Yasukawa et al.	5,833,358 A	11/1998	Patik
5,151,238 A	9/1992	Earl et al.	5,836,128 A	11/1998	Groh et al.
5,153,241 A	10/1992	Beshay	5,842,685 A	12/1998	Purvis et al.
5,160,211 A	11/1992	Gilb	5,847,016 A	12/1998	Cope
5,160,784 A	11/1992	Shmidt et al.	5,851,469 A	12/1998	Muller et al.
5,165,941 A	11/1992	Hawley	5,853,167 A	12/1998	West et al.
5,190,268 A	3/1993	Espinueva	5,858,522 A	1/1999	Turk et al.
5,192,056 A	3/1993	Espinueva	5,863,064 A	1/1999	Rheinlander et al.
5,194,461 A	3/1993	Bergquist et al.	5,863,480 A	1/1999	Suwanda
D335,353 S	5/1993	Baker	5,866,054 A	2/1999	Dorchester et al.
D336,345 S	6/1993	Fasth et al.	5,866,264 A	2/1999	Zehner et al.
5,218,807 A	6/1993	Fulford	5,869,138 A	2/1999	Nishibori
			5,869,176 A	2/1999	Dorchester et al.
			5,873,671 A	2/1999	West
			5,882,564 A	3/1999	Puppin
			5,910,358 A	6/1999	Thoen et al.

(56)

References Cited

U.S. PATENT DOCUMENTS

5,932,334 A	8/1999	Deaner et al.	6,511,757 B1	1/2003	Brandt et al.
5,948,505 A	9/1999	Puppini	D471,284 S	3/2003	Heath
5,948,524 A	9/1999	Seethamraju et al.	6,527,469 B1	3/2003	Erwin
5,951,927 A	9/1999	Cope	6,531,010 B2	3/2003	Puppini
5,965,075 A	10/1999	Pauley et al.	6,543,751 B1	4/2003	Spruill
5,981,067 A	11/1999	Seethamraju et al.	6,557,829 B1	5/2003	Steffes
5,985,429 A	11/1999	Plummer et al.	6,557,831 B2	5/2003	Erwin
5,988,599 A	11/1999	Forbis	6,561,492 B1	5/2003	Hubbell
6,004,652 A	12/1999	Clark	6,568,658 B2	5/2003	Strome
6,004,668 A	12/1999	Deaner et al.	6,569,540 B1	5/2003	Preston et al.
6,007,656 A	12/1999	Heikkila et al.	6,575,433 B2	6/2003	Retterer
6,009,682 A	1/2000	Lehman et al.	6,578,368 B1	6/2003	Brandt et al.
6,011,091 A	1/2000	Zehner	6,579,605 B2	6/2003	Zehner
6,015,611 A	1/2000	Deaner et al.	6,590,004 B1	7/2003	Zehner
6,015,612 A	1/2000	Deaner et al.	6,601,831 B2	8/2003	Erwin
6,017,019 A	1/2000	Erwin	6,605,245 B1	8/2003	Dubelsten et al.
D419,858 S	2/2000	Bosgoed	6,616,995 B2	9/2003	Retterer
6,029,954 A	2/2000	Murdaca	6,617,376 B2	9/2003	Korney, Jr.
6,035,588 A	3/2000	Zehner et al.	6,619,628 B1	9/2003	Steffes
6,041,486 A	3/2000	Forbis	6,622,991 B2	9/2003	Steffes
6,044,604 A	4/2000	Clayton et al.	6,632,863 B2	10/2003	Hutchison et al.
6,054,207 A	4/2000	Finley	6,637,213 B2	10/2003	Hutchison et al.
6,061,991 A	5/2000	Dahl	6,641,384 B2	11/2003	Bosler et al.
6,066,367 A	5/2000	Nishibori	6,662,515 B2	12/2003	Buhrts et al.
6,066,680 A	5/2000	Cope	6,676,094 B1	1/2004	Brown
6,083,601 A	7/2000	Prince et al.	6,680,090 B2	1/2004	Godavarti et al.
6,103,791 A	8/2000	Zehner	6,682,056 B1	1/2004	West
6,106,944 A	8/2000	Heikkila et al.	6,682,789 B2	1/2004	Godavarti et al.
6,114,008 A	9/2000	Eby et al.	6,682,814 B2	1/2004	Hendrickson et al.
6,117,924 A	9/2000	Brandt	D487,158 S	2/2004	Forbis
6,122,877 A	9/2000	Hendrickson et al.	6,685,858 B2	2/2004	Korney, Jr.
6,131,355 A	10/2000	Groh et al.	6,698,726 B2	3/2004	Platt
6,133,348 A	10/2000	Kolla et al.	6,702,245 B1	3/2004	Otterman
6,153,293 A	11/2000	Dahl et al.	6,702,259 B2	3/2004	Pratt
6,161,353 A	12/2000	Negola et al.	6,708,504 B2	3/2004	Brandt et al.
6,168,125 B1	1/2001	Winger et al.	6,715,242 B1	4/2004	Green et al.
6,180,211 B1	1/2001	Held	6,715,725 B2	4/2004	Chipka
6,180,257 B1	1/2001	Brandt et al.	6,716,522 B2	4/2004	Matsumoto et al.
6,202,987 B1	3/2001	Forbis	6,719,278 B2	4/2004	Bryan
6,207,729 B1	3/2001	Medoff et al.	D490,543 S	5/2004	Forbis
6,210,616 B1	4/2001	Suwanda	6,752,941 B2	6/2004	Hills
6,210,792 B1	4/2001	Seethamraju et al.	6,755,394 B2	6/2004	Forbis et al.
6,248,813 B1	6/2001	Zehner	6,773,255 B2	8/2004	Benz et al.
6,265,037 B1	7/2001	Godavarti et al.	6,780,359 B1	8/2004	Zehner et al.
6,272,808 B1	8/2001	Groh et al.	6,784,216 B1	8/2004	Zehner et al.
6,280,667 B1	8/2001	Koenig et al.	6,784,230 B1	8/2004	Patterson et al.
6,284,098 B1	9/2001	Jacobsen	6,793,474 B2	9/2004	Groeblicher et al.
6,295,777 B1	10/2001	Hunter et al.	6,805,335 B2	10/2004	Williams
6,295,778 B1	10/2001	Burt	6,844,049 B2	1/2005	Amin-Javaheri
6,305,670 B1	10/2001	Ward et al.	6,860,472 B2	3/2005	Striebel et al.
6,308,937 B1	10/2001	Pettit	6,863,972 B2	3/2005	Burger et al.
6,336,620 B1	1/2002	Belli	6,874,766 B2	4/2005	Curatolo
6,337,138 B1	1/2002	Zehner et al.	D509,599 S	9/2005	MacDonald
6,341,458 B1	1/2002	Burt	6,939,496 B2	9/2005	Maine et al.
6,342,172 B1	1/2002	Finley	6,948,704 B2	9/2005	Forbis et al.
6,344,268 B1	2/2002	Stucky et al.	6,958,185 B1	10/2005	Zehner
6,344,504 B1	2/2002	Zehner et al.	6,971,211 B1	12/2005	Zehner
6,346,160 B1	2/2002	Puppini	6,984,676 B1	1/2006	Brandt
6,357,197 B1	3/2002	Serino et al.	6,986,505 B2	1/2006	Platt
6,358,585 B1	3/2002	Wolff	D518,184 S	3/2006	Fitts
6,360,508 B1	3/2002	Pelfrey et al.	7,017,352 B2	3/2006	Hutchison et al.
6,362,252 B1	3/2002	Prutkin	7,030,179 B2	4/2006	Patterson et al.
6,367,780 B1	4/2002	Retterer	7,037,865 B1	5/2006	Kimberly
6,409,952 B1	6/2002	Hacker et al.	7,044,451 B2	5/2006	Platt
6,423,257 B1	7/2002	Stobart et al.	D536,098 S	1/2007	Walker
D461,568 S	8/2002	Forbis	7,178,791 B1	2/2007	Gray et al.
D461,914 S	8/2002	Hughes et al.	7,186,457 B1	3/2007	Zehner et al.
6,427,403 B1	8/2002	Tambakis	D544,965 S *	6/2007	Seiling ..... D25/38.1
6,448,307 B1	9/2002	Medoff et al.	D544,966 S	6/2007	Seiling et al.
6,453,630 B1	9/2002	Buhrts et al.	D544,967 S	6/2007	Seiling et al.
6,460,829 B1	10/2002	Forbis et al.	7,232,114 B2 *	6/2007	Platt ..... E04H 17/1413 256/65.04
6,464,913 B1	10/2002	Korney, Jr.	D551,774 S	9/2007	McGinness
6,467,756 B1	10/2002	Elsasser	D551,775 S	9/2007	McGinness
6,471,192 B1	10/2002	Erwin	D552,760 S	10/2007	Seiling et al.
6,498,205 B1	12/2002	Zehner	D560,823 S *	1/2008	Holland ..... D25/38.1
			D562,992 S	2/2008	Szczekocki
			7,378,462 B1	5/2008	Hughes et al.

(56)

References Cited

U.S. PATENT DOCUMENTS

7,384,025	B2 *	6/2008	Lo .....	E04H 17/1439 256/65.08	2004/0071964	A1	4/2004	Nesbitt
7,445,840	B2	11/2008	Moriya et al.		2004/0099855	A1	5/2004	Platt
7,543,802	B2 *	6/2009	Petta .....	E04F 11/1812 256/59	2004/0142157	A1	7/2004	Melkonian
D600,829	S	9/2009	Munakata et al.		2004/0147625	A1	7/2004	Dostal et al.
D600,831	S	9/2009	Munakata et al.		2004/0148965	A1	8/2004	Hutchison et al.
7,686,485	B1	3/2010	Pever et al.		2004/0188666	A1	9/2004	Pratt
7,743,567	B1	6/2010	Buhrts		2004/0191494	A1	9/2004	Nesbitt
7,744,065	B2	6/2010	Terrels et al.		2004/0192794	A1	9/2004	Patterson et al.
D625,989	S	10/2010	Mancosh et al.		2004/0206028	A1	10/2004	Terrels et al.
7,875,655	B2	1/2011	Mancosh et al.		2004/0219357	A1	11/2004	Van Dijk et al.
7,913,960	B1	3/2011	Herr, III et al.		2004/0220299	A1	11/2004	Drabeck, Jr. et al.
D636,898	S	4/2011	Harder		2005/0009960	A1	1/2005	Ton-That et al.
7,923,477	B2	4/2011	Murdock et al.		2005/0013984	A1	1/2005	Dijk et al.
8,104,734	B2 *	1/2012	Stover .....	E04H 17/24 248/218.4	2005/0051761	A1	3/2005	Caissie et al.
8,167,275	B1	5/2012	Bizzarri et al.		2005/0067729	A1	3/2005	Laver et al.
D661,813	S *	6/2012	Walker .....	D25/38.1	2005/0127346	A1	6/2005	Steffes
8,278,365	B2	10/2012	Murdock et al.		2005/0133777	A1	6/2005	Forbis et al.
8,455,558	B2	6/2013	Mancosh et al.		2005/0154094	A1	7/2005	Maeda et al.
D697,232	S	1/2014	Herman		2005/0163969	A1	7/2005	Brown
D698,949	S	2/2014	Rozas Andreu		2005/0171246	A1	8/2005	Maine et al.
8,809,406	B2	8/2014	Murdock et al.		2005/0192382	A1	9/2005	Maine et al.
D720,477	S *	12/2014	Ross .....	D25/38.1	2005/0218279	A1	10/2005	Cicenas et al.
8,905,570	B2	12/2014	Hartman		2005/0258413	A1	11/2005	Platt
D734,495	S	7/2015	Walde		2005/0266222	A1	12/2005	Clark et al.
9,073,295	B2	7/2015	Przybylinski et al.		2005/0271872	A1	12/2005	Dolinar
2001/0019749	A1	9/2001	Godavarti et al.		2005/0271889	A1	12/2005	Dolinar
2001/0051242	A1	12/2001	Godavarti et al.		2005/0274940	A1	12/2005	Brown
2001/0051243	A1	12/2001	Godavarti et al.		2006/0010883	A1	1/2006	Hutchison et al.
2002/0015820	A1	2/2002	Puppini		2006/0010884	A1	1/2006	Hutchison et al.
2002/0038684	A1	4/2002	Puppini		2006/0012066	A1	1/2006	Hutchison et al.
2002/0040557	A1	4/2002	Felton		2006/0012071	A1	1/2006	Groh et al.
2002/0066248	A1	6/2002	Buhrts et al.		2006/0022187	A1	2/2006	Forbis et al.
2002/0090471	A1	7/2002	Burger et al.		2006/0022372	A1	2/2006	Matuana et al.
2002/0092256	A1	7/2002	Hendrickson et al.		2006/0057348	A1	3/2006	Maine et al.
2002/0104987	A1	8/2002	Purvis		2006/0068053	A1	3/2006	Brandt et al.
2002/0106498	A1	8/2002	Deaner et al.		2006/0068215	A2	3/2006	Dolinar
2002/0113960	A1	8/2002	Retterer		2006/0076545	A1	4/2006	Reynders et al.
2002/0121634	A1	9/2002	Erwin		2006/0113441	A2	6/2006	Cicenas et al.
2002/0121635	A1	9/2002	Erwin		2006/0147693	A1	7/2006	Przybylinski et al.
2002/0143083	A1	10/2002	Korney, Jr.		2006/0269738	A1	11/2006	Kimberly
2002/0161072	A1	10/2002	Jacoby et al.		2007/0173551	A1	7/2007	Mancosh et al.
2002/0166327	A1	11/2002	Brandt et al.		2007/0235705	A1	10/2007	Burger et al.
2002/0174663	A1	11/2002	Hutchison et al.		2007/0241315	A1	10/2007	Platt
2002/0192401	A1	12/2002	Matsumoto et al.		2007/0241316	A1 *	10/2007	Platt ..... E04H 17/1421 256/65.02
2002/0192431	A1	12/2002	Edgman		2007/0296112	A1	12/2007	Brandt et al.
2003/0006405	A1	1/2003	Striebel et al.		2008/0064794	A1	3/2008	Murdock et al.
2003/0021915	A1	1/2003	Rohatgi et al.		2008/0093763	A1	4/2008	Mancosh et al.
2003/0025233	A1	2/2003	Korney, Jr.		2008/0128933	A1	6/2008	Przybylinski et al.
2003/0050378	A1	3/2003	Blanchard et al.		2008/0197523	A1	8/2008	Heigel et al.
2003/0085395	A1	5/2003	Gardner		2008/0213562	A1	9/2008	Przybylinski et al.
2003/0087994	A1	5/2003	Frechette		2008/0265232	A1 *	10/2008	Terrels ..... E04F 11/181 256/65.04
2003/0087996	A1	5/2003	Hutchison et al.		2009/0114895	A1 *	5/2009	Terrels ..... E04F 11/1836 256/65.03
2003/0089056	A1	5/2003	Retterer		2009/0264560	A1	10/2009	Warnes et al.
2003/0096094	A1	5/2003	Hayduke		2010/0108969	A1	5/2010	Platt
2003/0136954	A1	7/2003	Platt		2010/0159213	A1	6/2010	Przybylinski et al.
2003/0136955	A1	7/2003	Platt		2011/0042637	A1 *	2/2011	Howard ..... E04H 17/1439 256/22
2003/0154662	A1	8/2003	Bruchu et al.		2011/0073824	A1 *	3/2011	Lappin ..... E04F 11/1817 256/65.08
2003/0176538	A1	9/2003	Wu et al.		2011/0097552	A1	4/2011	Mancosh et al.
2003/0196395	A1	10/2003	Forbis et al.		2011/0229691	A1	9/2011	Murdock et al.
2003/0222258	A1	12/2003	Forbis et al.		2012/0077890	A1	3/2012	Mancosh et al.
2003/0229160	A1	12/2003	Williams et al.		2012/0217460	A1	8/2012	Bugh
2003/0234391	A1	12/2003	Sheppard et al.		2012/0236547	A1	9/2012	Hartman
2004/0003568	A1	1/2004	McCarthy		2012/0315471	A1	12/2012	Mancosh et al.
2004/0026021	A1	2/2004	Groh et al.		2013/0102707	A1	4/2013	Murdock et al.
2004/0026679	A1	2/2004	Terrels et al.		2015/0024171	A1	1/2015	Murdock et al.
2004/0026680	A1	2/2004	Williams		2015/0044434	A1	2/2015	Kotiadis et al.
2004/0038002	A1	2/2004	Franco et al.		2015/0252588	A1 *	9/2015	Springborn ..... B23P 19/02 256/65.05
2004/0048055	A1	3/2004	Branca					
2004/0051092	A1	3/2004	Curatolo					

(56)

References Cited

U.S. PATENT DOCUMENTS

2015/0292212 A1\* 10/2015 Walker ..... E04F 11/1808  
256/62  
2015/0300041 A1\* 10/2015 Feeko ..... E04H 17/1421  
256/65.12

FOREIGN PATENT DOCUMENTS

CA	2153659	A1	2/1999
CH	580130	A5	9/1976
CL	34395		3/1994
CL	303799		12/1999
DE	2042176		8/1968
DE	3801574	A1	8/1989
DE	4033849	A1	5/1991
DE	4221070	A1	12/1993
DK	140148	B	6/1979
EP	0269470	A2	6/1988
EP	0586211	A1	3/1994
EP	0586212	A2	3/1994
EP	0586213	A1	3/1994
EP	0668142	A1	8/1995
EP	0747419	A2	12/1996
EP	0874944	A1	11/1998
ES	1041676		7/1999
FR	2270311	A1	12/1975
FR	2365017	A1	4/1978
FR	2445885	A1	8/1980
FR	2529925	A1	1/1984
FR	2564374	A1	11/1985
GB	567071		1/1945
GB	1298823		12/1972
GB	1443194		7/1976
GB	2036148	A	6/1980
GB	2104903	A	3/1983
GB	2171953	A	9/1986
GB	2186655	A	8/1987
JP	57-190035	A	11/1982
JP	2000-17245	A	1/2000
JP	2000-109589	A	4/2000
JP	2002-86544	A	3/2002
JP	2002-113768	A	4/2002
JP	2002-137333	A	5/2002
JP	2002-144489	A	5/2002
KR	20040044680	A	5/2004
KR	300428590.0000		10/2006
WO	9008020	A1	7/1990
WO	9513179	A1	5/1995
WO	9726430	A1	7/1997
WO	9911444	A1	3/1999
WO	0011282	A2	3/2000
WO	0034017	A1	6/2000
WO	0039207	A1	7/2000
WO	0166873	A1	9/2001
WO	02057692	A2	7/2002
WO	02079317	A1	10/2002
WO	02103113	A2	12/2002
WO	D064769-006		10/2003
WO	03091642	A1	11/2003
WO	2004083541	A2	9/2004
WO	2004083541	A3	9/2004
WO	2004102092	A1	11/2004
WO	2006041508	A2	4/2006
WO	2006071517	A2	7/2006
WO	2007085836	A1	8/2007

OTHER PUBLICATIONS

Advanced Environmental Recycling Technologies, Inc., Magnum Railing, [www.lifecycledecking.com/products/profiles](http://www.lifecycledecking.com/products/profiles), Oct. 17, 2010, visited Jan. 29, 2016 via <https://web.archive.org/web/20101017132410/http://lifecycledecking.com/products/profiles>.

CertainTeed Corporation, [www.certainteed.com/products/fence-railing-deck/railing/313628](http://www.certainteed.com/products/fence-railing-deck/railing/313628) Mar. 7, 2009, visited Jan. 29, 2016 via <https://web.archive.org/web/20090307163124/http://www.certainteed.com/products/fence-railing-deck/railing/313628>.  
 CertainTeed Corporation, Step-By-Step Installation Instructions for Panorama Composite Railing System Square or Steel Balusters, Aug. 2014.  
 CertainTeed Corporation, PANORAMA, Registration No. 3,326,317, registered Oct. 30, 2007.  
 CertainTeed Corporation, Panorama Composite Railing System, [www.certainteed.com/products/fence-railing-deck/railing/313628](http://www.certainteed.com/products/fence-railing-deck/railing/313628), visited Jan. 29, 2016.  
 Alleged pictures of Trex Transcend Top Rail, Green Bay Decking—Integra Rail, RDI Transform Series Rail, Gossen Railing, and Menards Ultradeck Railing, received on or about Dec. 4, 2015, from third party (titles and miscellaneous text have been added by third party; original sources/authors, titles, and publication dates of pictures not known).  
 Alleged pictures of Fiberon/Fiber Composites, LLC Railing allegedly circa 2002, Gossen Railing, AERT Railing, and Certainteed Panorama Railing, received on or about Dec. 4, 2015, from third party (titles and miscellaneous text/symbols have been added by third party; original sources/authors, titles, and publication dates of pictures not known).  
 Gossen Corporation, Performance Railing System, <http://www.gossencorp.com/railing.php>, Jun. 11, 2014, visited Jan. 29, 2016 via <https://web.archive.org/web/20140611083437/http://www.gossencorp.com/railing.php>.  
 Gossen Corporation, Code Compliance Research Report CCRR-0221, Apr. 7, 2015.  
 Gossen Corporation, Gossen WeatherReady Railing, <http://www.gossencorp.com/railing.php>, Sep. 3, 2012, visited Jan. 29, 2016 via <https://web.archive.org/web/20120903150713/http://www.gossencorp.com/railing.php>.  
 Green Bay Decking LLC, Integra Rail, U.S. Appl. No. 77/852,500, filed Oct. 20, 2009.  
 The Des Moines Register, p. 405, Jun. 29, 2003.  
 Midwest Manufacturing, Natural Railing, <http://www.midwestmanufacturing.com/MidwestManufacturing/productDetail.do?groupId=1&lineId=8&productId=201>, Sep. 22, 2014, visited Jan. 26, 2016 via <https://web.archive.org/web/20140922121245/http://www.midwestmanufacturing.com/MidwestManufacturing/productDetail.do?groupId=1&lineId=8&productId=201>.  
 Midwest Manufacturing, Pinnacle Top Rail Caps, <http://www.midwestmanufacturing.com/MidwestManufacturing/productDetail.do?groupId=1&lineId=8&productId=1366>, Aug. 3, 2010, visited Jan. 28, 2016 via <https://web.archive.org/web/20100803030153/http://www.midwestmanufacturing.com/MidwestManufacturing/productDetail.do?groupId=1&lineId=8&productId=1366>.  
 UltraDeck Reversible, <http://ultradeck.com/products.htm>, Feb. 13, 2005, visited Jan. 28, 2016 via <https://web.archive.org/web/20050213125854/http://ultradeck.com/products.htm>.  
 Midwest Manufacturing, UltraDeck Rustic Rail, <http://www.midwestmanufacturing.com/MidwestManufacturing/productDetail.do?groupId=1&lineId=8&productId=200>, May 22, 2013, visited Jan. 26, 2016 via <https://web.archive.org/web/20130522185339/http://www.midwestmanufacturing.com/MidwestManufacturing/productDetail.do?groupId=1&lineId=8&productId=200>.  
 Menard, Inc., ULTRADECK, Registration No. 2,933,451, registered Mar. 15, 2005.  
 Railing Dynamics, Inc., Transform, Registration No. 4,569,628, registered Jul. 15, 2014 and Transform (& Design), Registration No. 4,569,629, registered Jul. 15, 2014.  
 Trex Company, Inc. TREX Artisan Series Railing, Registration No. 3,182,562, registered Dec. 12, 2006.

(56)

**References Cited**

OTHER PUBLICATIONS

Google Images, Trex Transcend Railing, example at [https://www.google.com/search?q=trex+transcend+railing&rlz=1C2OPRB\\_enUS555US555&biw=1424&bih=951&tbm=isch&tbo=u&source=univ&sa=X&sqi=2&ved=0ahUKEwjbqK-EztfKAhUHulMKHYSyAnQQsAQIPg#imgrc=\\_\\_](https://www.google.com/search?q=trex+transcend+railing&rlz=1C2OPRB_enUS555US555&biw=1424&bih=951&tbm=isch&tbo=u&source=univ&sa=X&sqi=2&ved=0ahUKEwjbqK-EztfKAhUHulMKHYSyAnQQsAQIPg#imgrc=__), example visited Jan. 26, 2016.

Trex Company, Inc., TREX Transcend, Registration No. 4,107,731, registered Mar. 6, 2012.

Trex Company, Inc., Transcend, Registration No. 3,773,349, registered Apr. 6, 2010.

Trex Company, Inc., Transcend, [www.trex.com/products/railing/transcend/](http://www.trex.com/products/railing/transcend/), visited Jan. 26, 2016.

\* cited by examiner

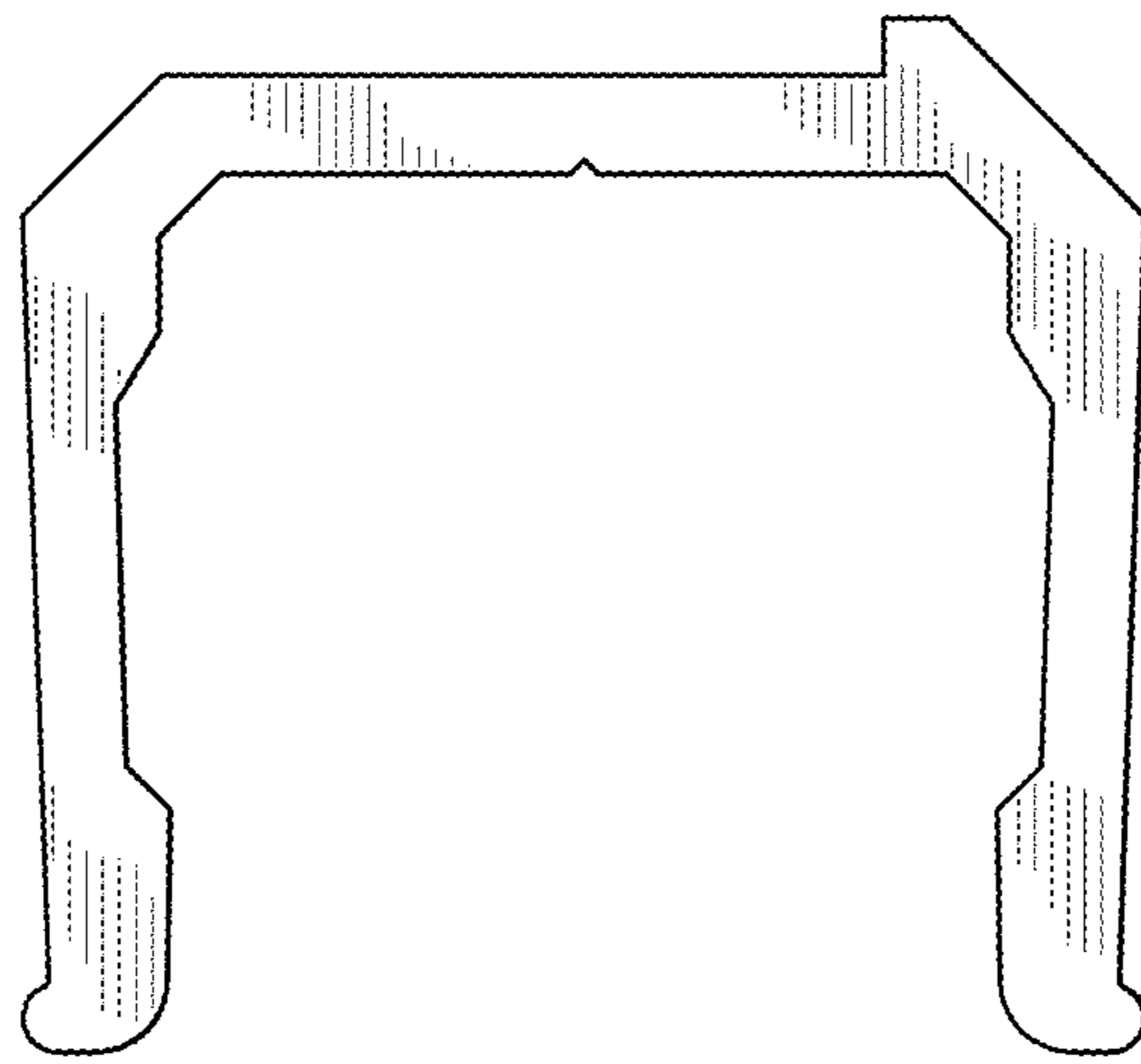


Fig. 1



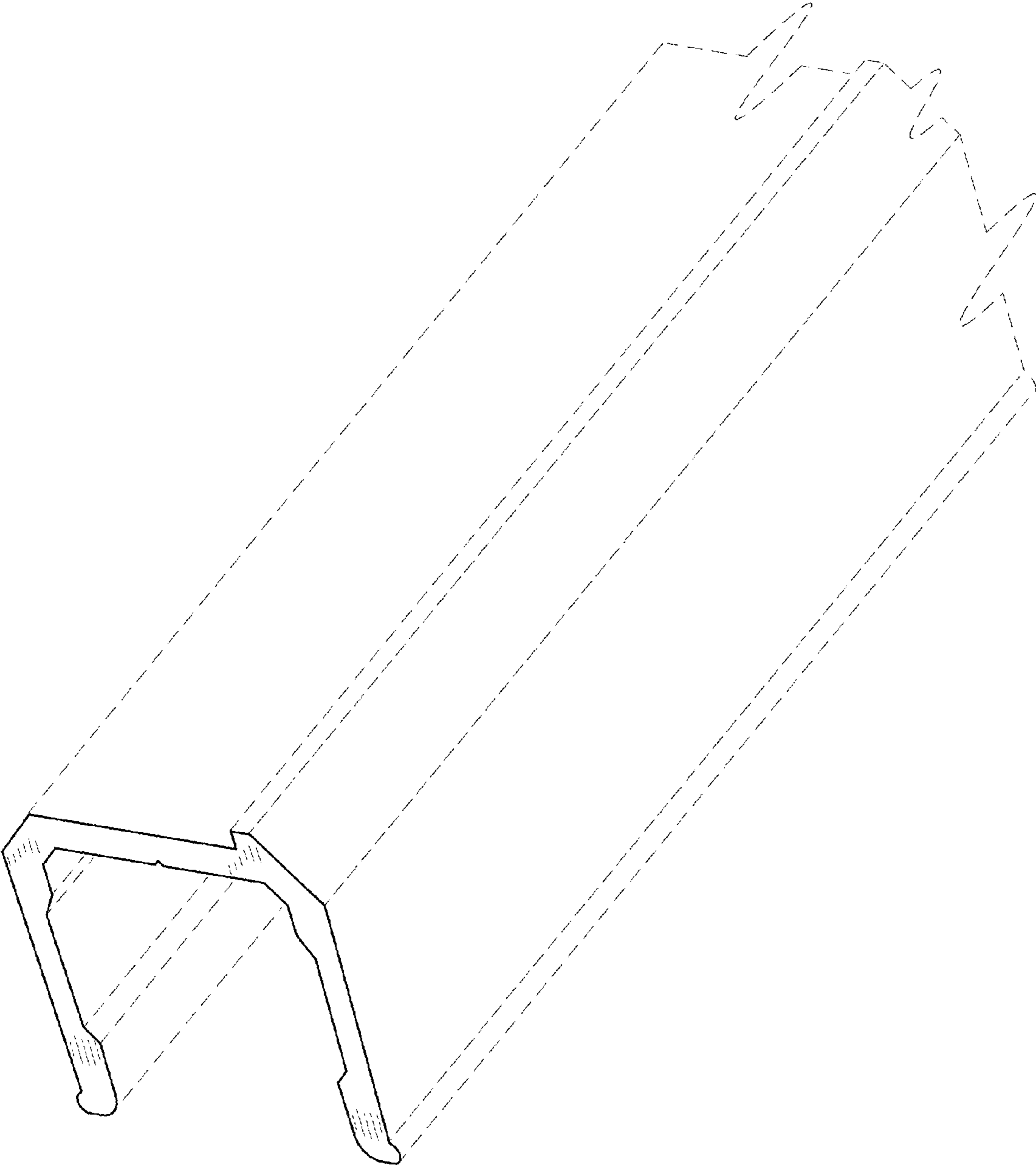


Fig. 2