



US00D782696S

(12) **United States Design Patent** (10) **Patent No.:** **US D782,696 S**  
**Perry et al.** (45) **Date of Patent:** **\*\* Mar. 28, 2017**

(54) **CONTAINER**

(71) Applicant: **ABBOTT LABORATORIES**, Abbott Park, IL (US)  
 (72) Inventors: **James P. Perry**, Westerville, OH (US); **Jeremy McBroom**, Columbus, OH (US); **Bryan Eliot Rolfs**, Chicago, IL (US)  
 (73) Assignee: **ABBOTT LABORATORIES**, Abbott Park, IL (US)

(\*\*) Term: **15 Years**

(21) Appl. No.: **29/551,949**

(22) Filed: **Jan. 19, 2016**

**Related U.S. Application Data**

(60) Division of application No. 29/523,835, filed on Apr. 14, 2014, now Pat. No. Des. 751,215, which is a division of application No. 29/470,645, filed on Oct. 23, 2013, now Pat. No. Des. 733,320, which is a continuation of application No. PCT/US2013/038468, filed on Apr. 26, 2013.

(51) **LOC (10) Cl.** ..... **24-01**

(52) **U.S. Cl.**  
USPC ..... **D24/232**

(58) **Field of Classification Search**

USPC ..... D24/232, 121, 216, 224, 231; D10/81; D7/538, 601, 604, 606; D9/503-504, D9/560, 566, 414, 435-436, 445; 220/200, 254.3; 422/565; 435/305.3, 435/305.4  
 CPC ..... B65D 53/00; B65D 53/02; B65D 43/22; B65D 43/163; B65D 43/169; B65D 43/0235; B65D 51/247; B65D 51/20; B65D 51/246; B65D 1/42; B65D 17/502

See application file for complete search history.

(56) **References Cited**

U.S. PATENT DOCUMENTS

711,452 A 10/1902 Meyer  
 2,648,097 A 8/1953 Kritchever  
 (Continued)

FOREIGN PATENT DOCUMENTS

CN 2936980 8/2007  
 CN 201144030 11/2008

(Continued)

*Primary Examiner* — Wan Laymon

(74) *Attorney, Agent, or Firm* — Calfee, Halter & Griswold LLP

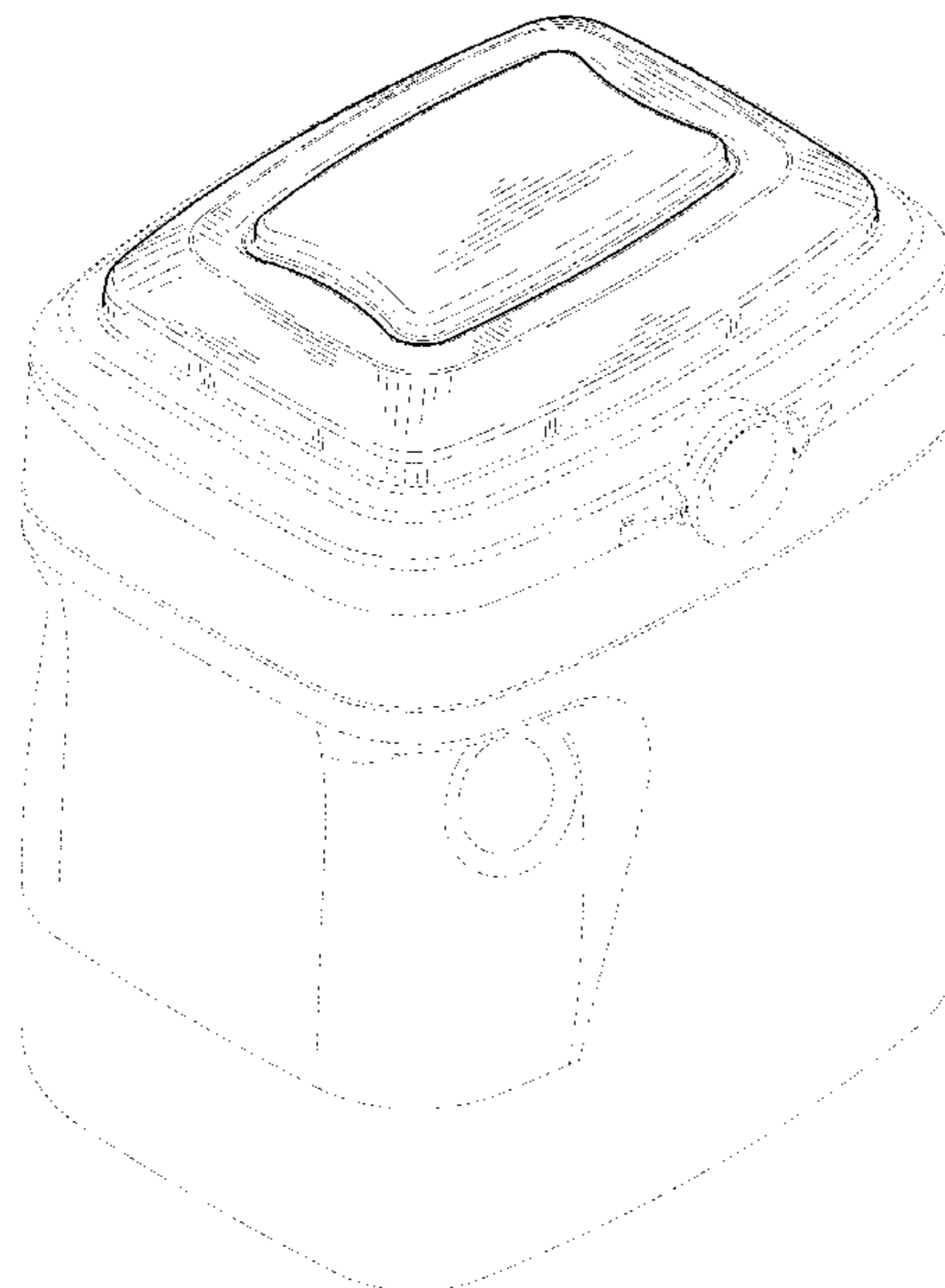
(57) **CLAIM**

We claim the ornamental design for a container, as shown and described.

**DESCRIPTION**

FIG. 1 is a top perspective view of a container showing the new design;  
 FIG. 2 is a bottom perspective view of the container of FIG. 1;  
 FIG. 3 is a front elevational view of the container of FIG. 1;  
 FIG. 4 is a rear elevational view of the container of FIG. 1;  
 FIG. 5 is a right side elevational view of the container of FIG. 1;  
 FIG. 6 is a left side elevational view of the container of FIG. 1;  
 FIG. 7 is a top side plan view of the container of FIG. 1; and,  
 FIG. 8 is a bottom plan view of the container of FIG. 1.  
 The broken lines shown in the figures represent portions of the container that form no part of the claimed design.

**1 Claim, 7 Drawing Sheets**



(56)

References Cited

U.S. PATENT DOCUMENTS

3,038,624 A 6/1962 Wieckmann  
 3,187,920 A 6/1965 Dorn  
 3,338,468 A 8/1967 Wilson  
 3,613,964 A 10/1971 Gronemeyer  
 3,966,082 A 6/1976 Hopkins  
 4,000,816 A 1/1977 Spruyt  
 4,089,433 A 5/1978 Jonsson  
 4,095,716 A 6/1978 Meany  
 4,293,079 A 10/1981 Lytle  
 4,321,922 A 3/1982 Deaton  
 4,408,698 A 10/1983 Ballester  
 4,577,775 A 3/1986 Kresin  
 4,727,999 A 3/1988 Gach  
 4,736,870 A 4/1988 Christensson  
 4,883,193 A 11/1989 Christensson  
 4,917,261 A 4/1990 Borst  
 4,971,220 A 11/1990 Kaufman et al.  
 5,046,659 A 9/1991 Warburton  
 5,050,763 A 9/1991 Christensson  
 5,065,887 A 11/1991 Schuh et al.  
 5,078,296 A 1/1992 Amidzich  
 5,145,088 A 9/1992 Goujon  
 5,204,130 A 4/1993 McDevitt et al.  
 5,219,087 A 6/1993 Christensson  
 D339,639 S 9/1993 Ohnuma et al.  
 5,305,900 A 4/1994 Maguire et al.  
 5,310,049 A 5/1994 Bigelow et al.  
 5,322,178 A 6/1994 Foos  
 5,337,911 A 8/1994 Holub  
 5,353,946 A 10/1994 Behrend  
 5,366,104 A 11/1994 Armstrong  
 5,383,558 A 1/1995 Wilkinson et al.  
 5,429,833 A 7/1995 Wyslotsky  
 5,515,993 A 5/1996 McManus  
 5,518,152 A 5/1996 Burcham et al.  
 5,582,314 A 12/1996 Quinn et al.  
 5,598,941 A 2/1997 Semersky et al.  
 5,641,084 A 6/1997 Rice  
 5,706,974 A 1/1998 Murdick et al.  
 5,718,350 A 2/1998 Williams  
 5,794,566 A 8/1998 Goetz  
 5,810,188 A 9/1998 Novakoski et al.  
 5,897,011 A 4/1999 Brilliant et al.  
 5,897,036 A 4/1999 DeCoster et al.  
 5,931,323 A 8/1999 Wilkinson et al.  
 5,997,052 A 12/1999 Reeb et al.  
 6,006,901 A 12/1999 Pereira Da Silva  
 6,042,000 A 3/2000 Kawamoto  
 6,238,762 B1 5/2001 Friedland et al.  
 D444,027 S 6/2001 Gilliam et al.  
 6,269,969 B1 8/2001 Huang  
 6,308,858 B1 10/2001 Koefeld  
 6,520,370 B2 2/2003 Nyman et al.  
 D473,140 S 4/2003 Gilliam et al.  
 6,609,633 B1 8/2003 Dyble et al.  
 6,644,494 B2 11/2003 Hayes et al.  
 D484,797 S 1/2004 Kipperman et al.  
 6,761,279 B1 7/2004 Martin et al.  
 6,761,283 B1 7/2004 Gilliam et al.  
 6,772,904 B1 8/2004 Gilliam et al.  
 D504,318 S 4/2005 Lane et al.  
 6,889,866 B2 5/2005 Gilliam et al.  
 6,964,359 B1 11/2005 Darr et al.  
 7,040,500 B2 5/2006 Kipperman et al.  
 7,080,754 B2 7/2006 Lown  
 D528,919 S 9/2006 Kipperman et al.  
 D530,616 S 10/2006 Kipperman et al.  
 D530,617 S 10/2006 Little et al.  
 7,156,265 B2 1/2007 Walsh et al.  
 7,175,041 B2 2/2007 Ekkert  
 7,370,788 B1 5/2008 Otani et al.  
 D576,035 S 9/2008 Perry et al.  
 D578,401 S 10/2008 Perry et al.  
 7,621,417 B2 11/2009 Peterson et al.  
 D640,544 S 6/2011 Sifuentes et al.

8,308,008 B2 11/2012 Perry et al.  
 D675,477 S 2/2013 McGrath et al.  
 8,469,223 B2 6/2013 Perry et al.  
 8,511,499 B2 8/2013 Perry et al.  
 8,627,981 B2\* 1/2014 Perry ..... B65D 51/20  
 206/553  
 8,857,645 B2 10/2014 Perry et al.  
 D733,320 S 6/2015 Perry et al.  
 D751,215 S 3/2016 Perry et al.  
 9,387,963 B2 7/2016 McBroom et al.  
 2001/0035424 A1 11/2001 Combe et al.  
 2002/0117504 A1 8/2002 Emerson et al.  
 2002/0190112 A1 12/2002 Culeron et al.  
 2003/0015542 A1 1/2003 Nulty et al.  
 2003/0072440 A1 4/2003 Murray et al.  
 2003/0121941 A1 7/2003 Walsh et al.  
 2003/0183540 A1 10/2003 Onishi  
 2003/0218020 A1 11/2003 Gilliam et al.  
 2004/0011811 A1 1/2004 McLelland et al.  
 2004/0118848 A1 6/2004 Marshall  
 2004/0159661 A1 8/2004 Aochi  
 2004/0238553 A1 12/2004 Lane et al.  
 2005/0035118 A1 2/2005 Garg et al.  
 2005/0173442 A1 8/2005 Gilliam et al.  
 2005/0247708 A1 11/2005 Golden  
 2005/0247709 A1 11/2005 Atkins et al.  
 2006/0027585 A1 2/2006 Clamage  
 2006/0076352 A1 4/2006 Peterson et al.  
 2006/0081641 A1 4/2006 Habeger et al.  
 2006/0131347 A1 6/2006 Nottingham et al.  
 2006/0156811 A1 7/2006 Borowski et al.  
 2006/0191933 A1 8/2006 Hicks et al.  
 2006/0201946 A1 9/2006 Witt  
 2006/0207963 A1 9/2006 Little et al.  
 2006/0219652 A1 10/2006 Grant et al.  
 2006/0273118 A1 12/2006 Walsh et al.  
 2007/0015046 A1 1/2007 Kim et al.  
 2007/0045315 A1 3/2007 Evans et al.  
 2007/0221605 A1 9/2007 Pugne et al.  
 2007/0235462 A1 10/2007 Omdoll et al.  
 2007/0284276 A1 12/2007 Luttk et al.  
 2008/0035637 A1 2/2008 Shehadey et al.  
 2008/0041861 A1 2/2008 Crawford et al.  
 2008/0156805 A1 7/2008 Perry et al.  
 2008/0156806 A1 7/2008 Perry et al.  
 2008/0156808 A1 7/2008 Perry et al.  
 2008/0156858 A1 7/2008 Perry et al.  
 2008/0173657 A1 7/2008 Perry et al.  
 2009/0014457 A1 1/2009 Bennett  
 2009/0032545 A1 2/2009 Zeiler et al.  
 2009/0039078 A1 2/2009 Sanfilippo et al.  
 2009/0152280 A1 6/2009 Luburic  
 2009/0159607 A1 6/2009 Kratzer  
 2009/0230177 A1 9/2009 Robertson et al.  
 2009/0255942 A1 10/2009 Omdoll et al.  
 2009/0289066 A1 11/2009 DiPietro et al.  
 2009/0314775 A1 12/2009 Dietrich et al.  
 2010/0108670 A1 5/2010 Perry et al.  
 2010/0180553 A1 7/2010 Tilton  
 2010/0264156 A1 10/2010 Vandamme et al.  
 2010/0294767 A1 11/2010 Catteau et al.  
 2010/0308044 A1 12/2010 Perry et al.  
 2010/0308065 A1 12/2010 Vandamme et al.  
 2010/0308066 A1 12/2010 Perry et al.  
 2011/0006066 A1 1/2011 Vandamme et al.  
 2011/0186570 A1 8/2011 Perry et al.  
 2014/0097183 A1 4/2014 McGrath  
 2014/0374429 A1\* 12/2014 Perry ..... B65D 53/00  
 220/833  
 2015/0129597 A1 5/2015 McBroom  
 2016/0297575 A1\* 10/2016 McBroom ..... B65D 43/22

FOREIGN PATENT DOCUMENTS

CN 101616847 A 12/2009  
 CN 203698935 U 7/2014  
 DE 19701101 7/1998  
 DE 19725698 12/1998  
 EP 0356322 1/1993



(56)

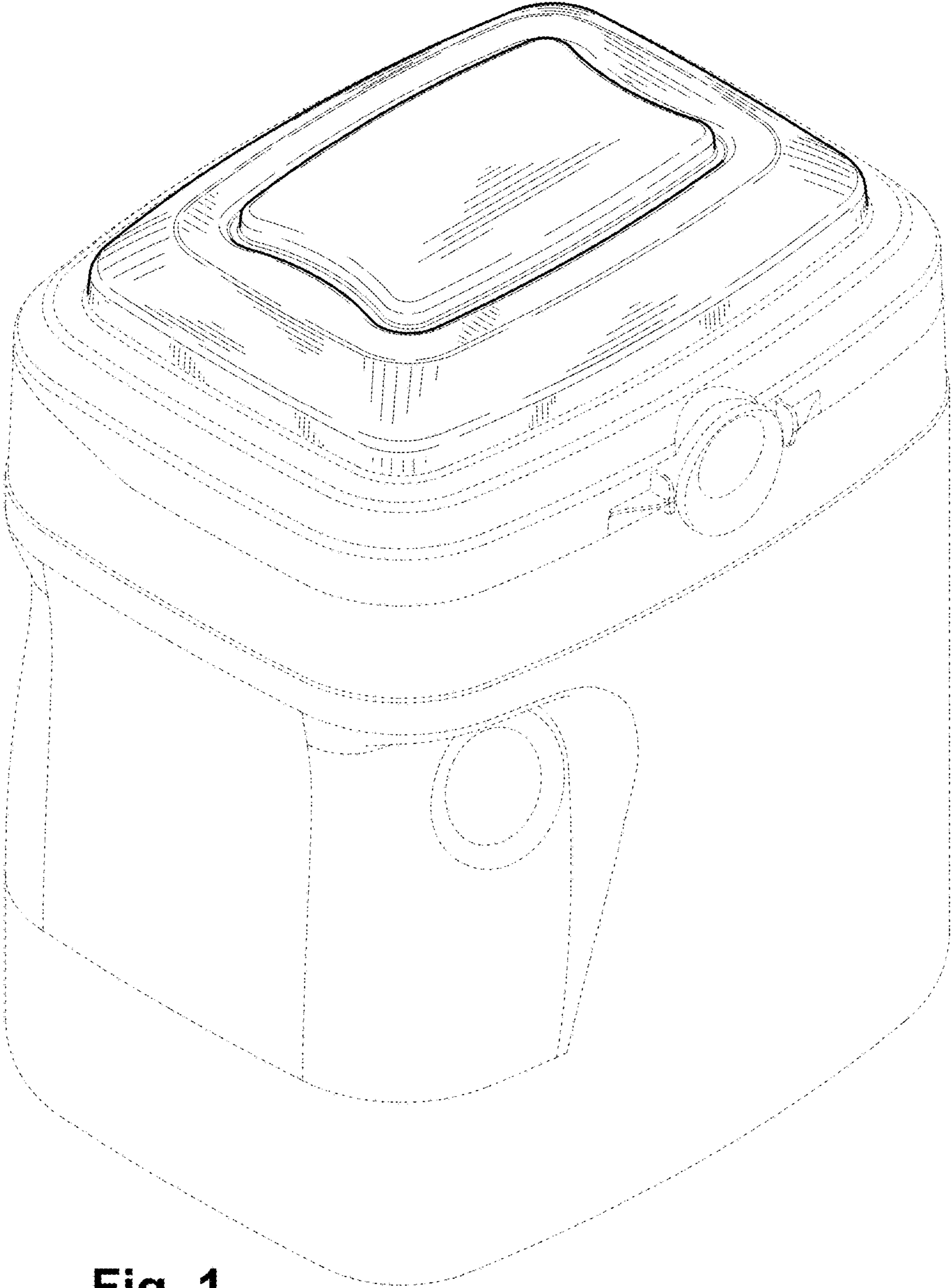
References Cited

FOREIGN PATENT DOCUMENTS

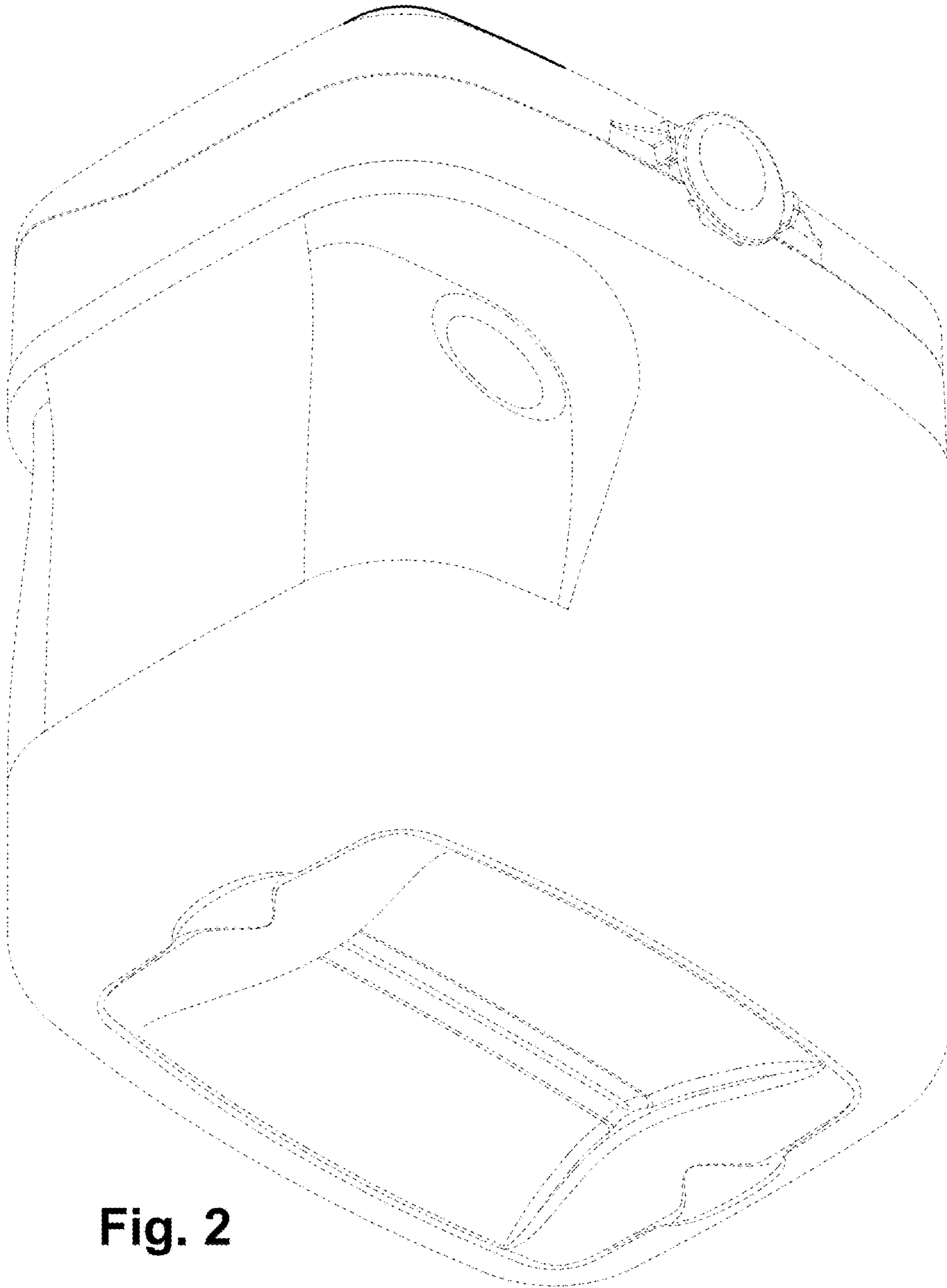
EP 0648681 1/1994  
 EP 0609650 8/1994  
 EP 0700836 8/1995  
 EP 0631941 9/1996  
 EP 0957034 11/1999  
 EP 1129957 9/2001  
 EP 1156157 11/2001  
 EP 1512637 3/2005  
 EP 1336569 6/2005  
 EP 1529737 3/2007  
 FR 2719558 11/1995  
 FR 2747107 10/1997  
 GB 2059920 4/1981  
 JP 8183556 7/1996  
 JP 8217108 8/1996  
 JP 10258841 9/1998  
 JP 2001019006 1/2001  
 JP 2002209770 7/2002  
 JP 2004136959 5/2004  
 JP 2004329382 11/2004  
 JP 2005022757 1/2005  
 JP 2006111294 3/2006  
 JP 2006160299 6/2006  
 JP 2007099281 4/2007  
 JP 2007099287 4/2007  
 JP 2007099294 4/2007  
 JP 2007137510 6/2007

JP 2008063009 3/2008  
 JP 2008296929 12/2008  
 KR 20020007210 1/2001  
 KR 20020025817 4/2002  
 KR 20030072440 9/2003  
 KR 20030089935 11/2003  
 KR 10-2002-0040057 1/2004  
 KR 20040005481 1/2004  
 KR 20050027042 3/2005  
 KR 20050019526 12/2005  
 KR 2004030400000 12/2005  
 KR 10-2002-0027862 4/2009  
 NL 1031829 11/2007  
 WO 9317920 9/1993  
 WO 9511834 5/1995  
 WO 9846494 10/1998  
 WO 9915423 4/1999  
 WO 151378 7/2001  
 WO 03051732 6/2003  
 WO 2005075314 8/2005  
 WO 2007131806 11/2007  
 WO 2007137776 12/2007  
 WO 2007142522 12/2007  
 WO 2008019980 2/2008  
 WO 2008083141 7/2008  
 WO 2008149006 12/2008  
 WO 2008149007 12/2008  
 WO 2010141841 12/2010  
 WO 2010141844 12/2010  
 WO 2013163583 10/2013

\* cited by examiner



**Fig. 1**



**Fig. 2**

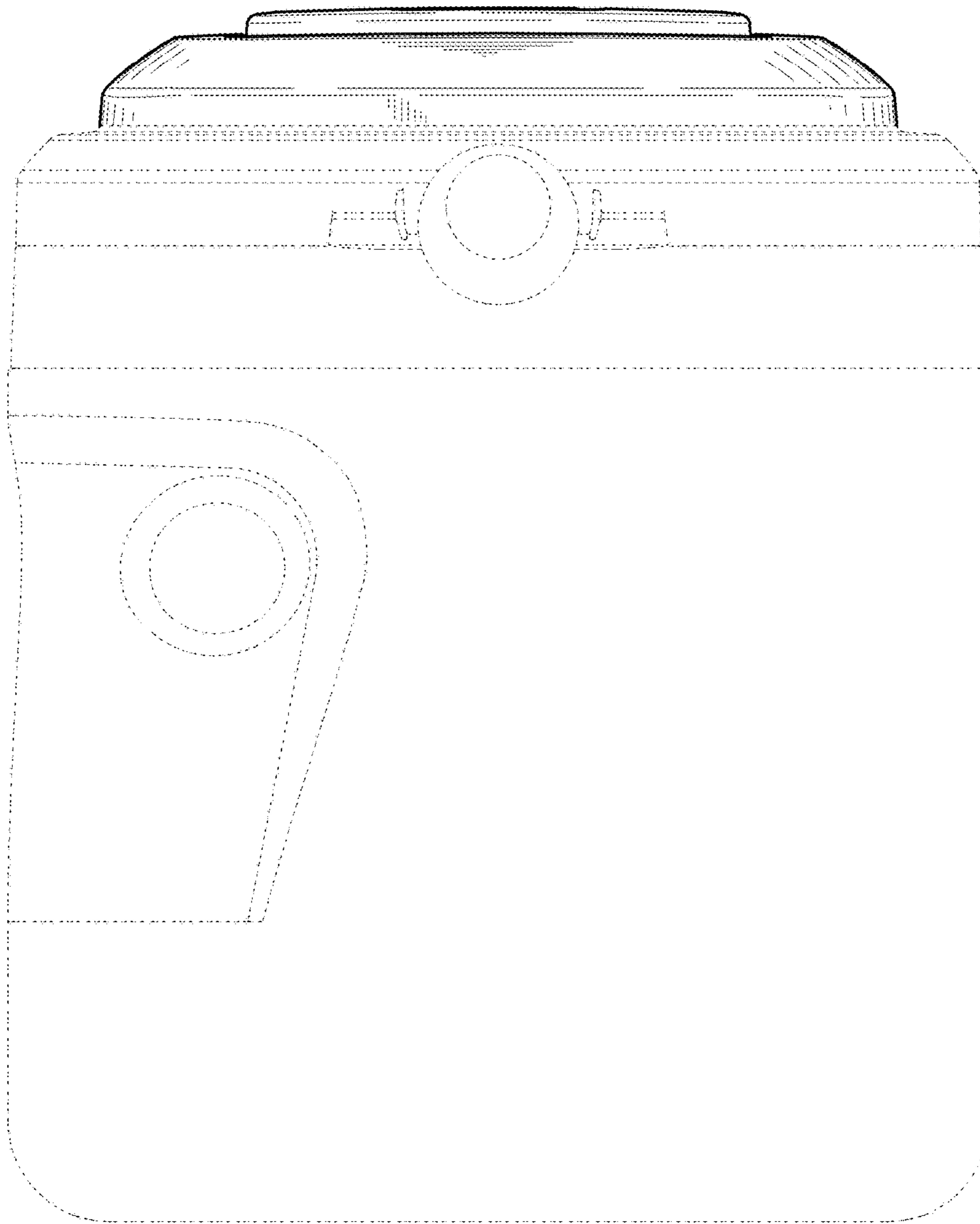


Fig. 3

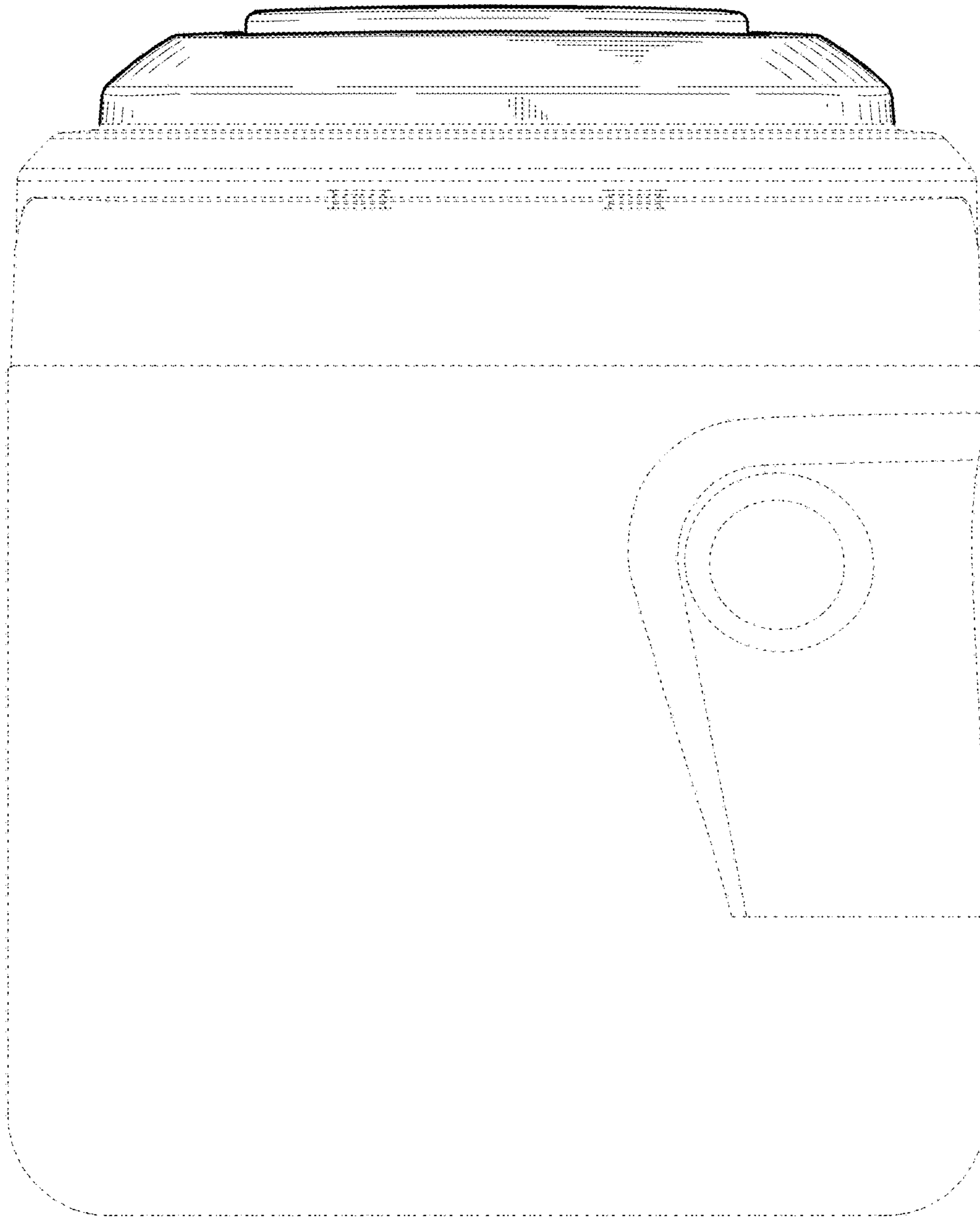
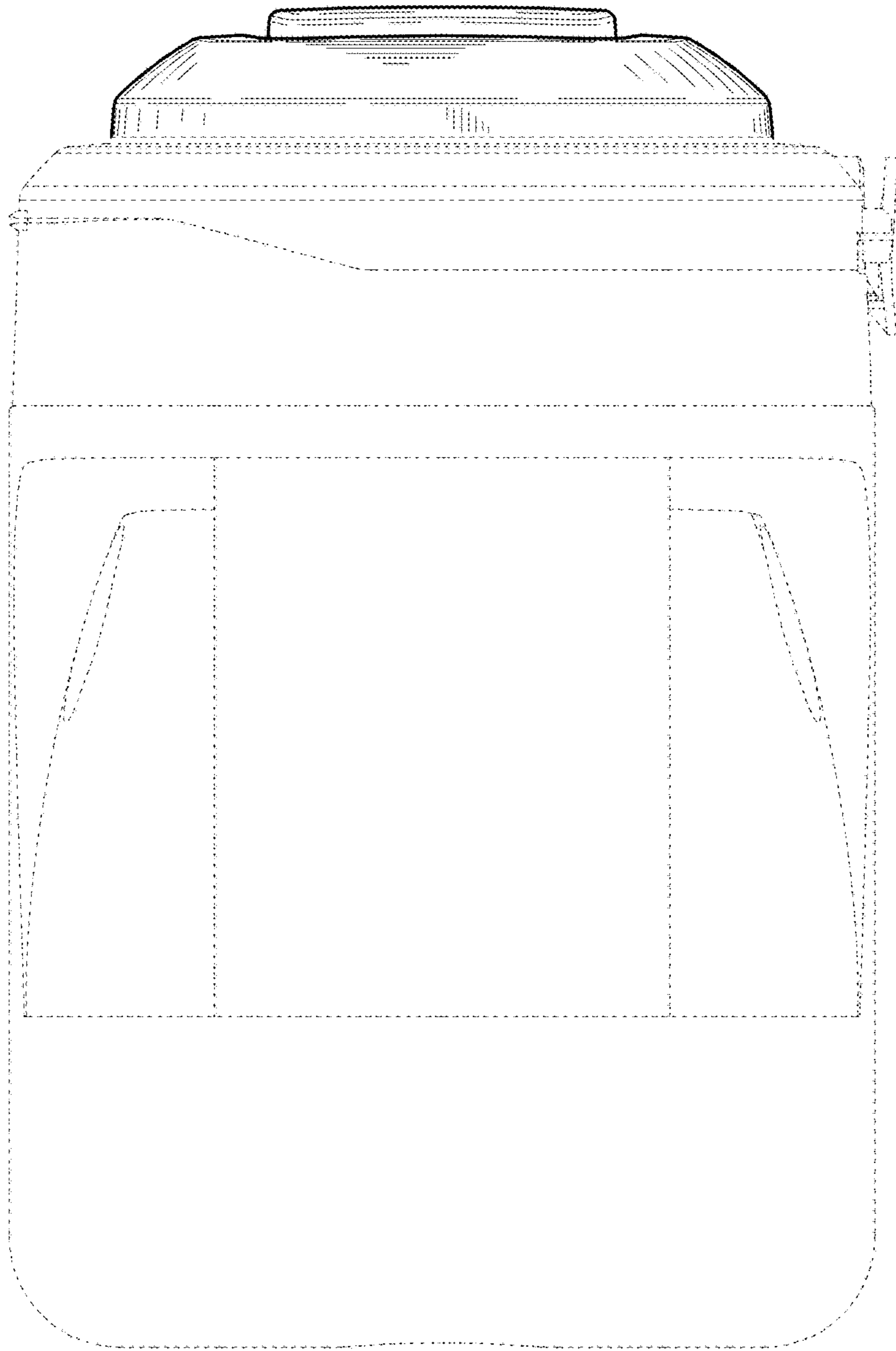
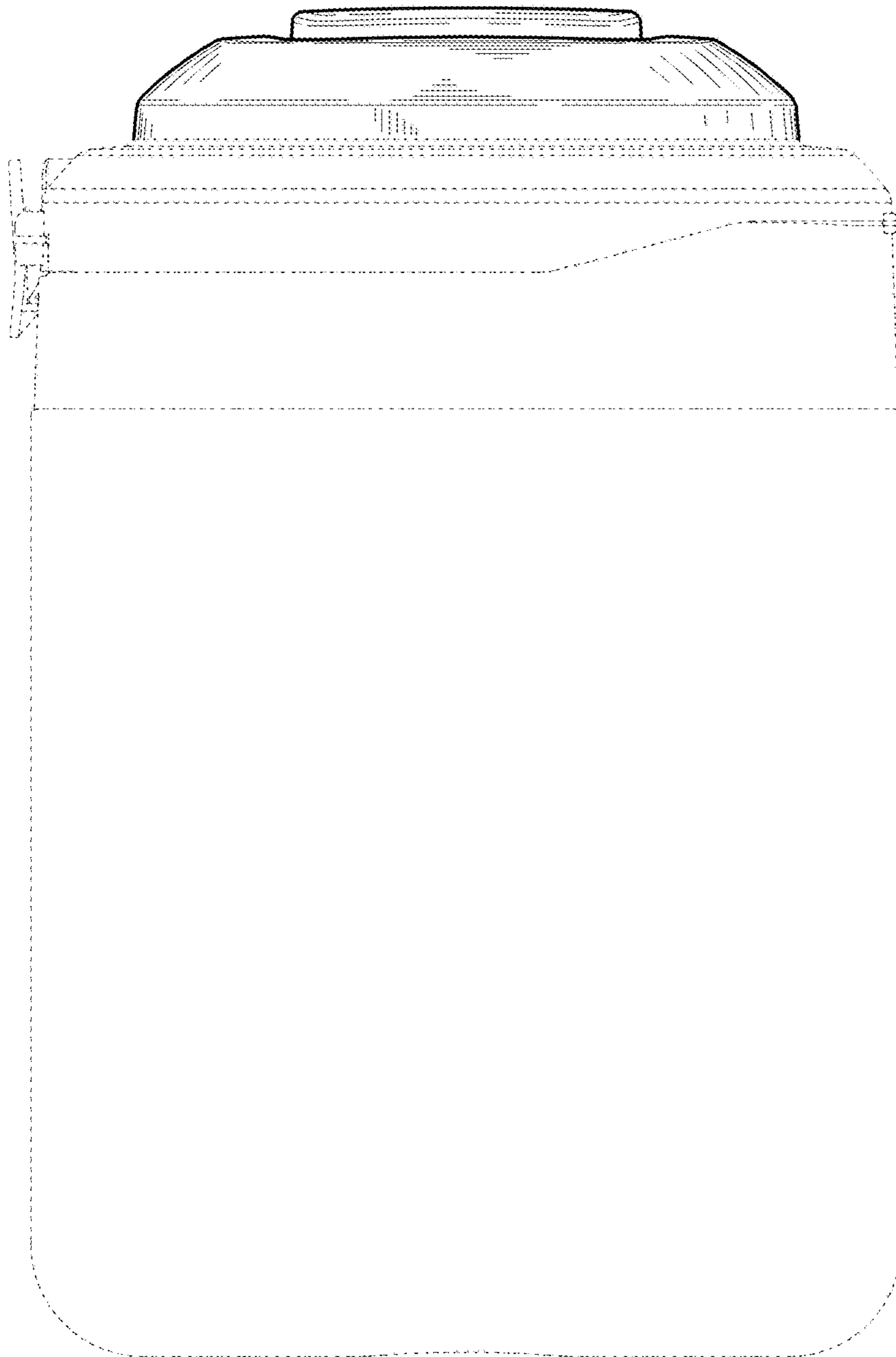


Fig. 4

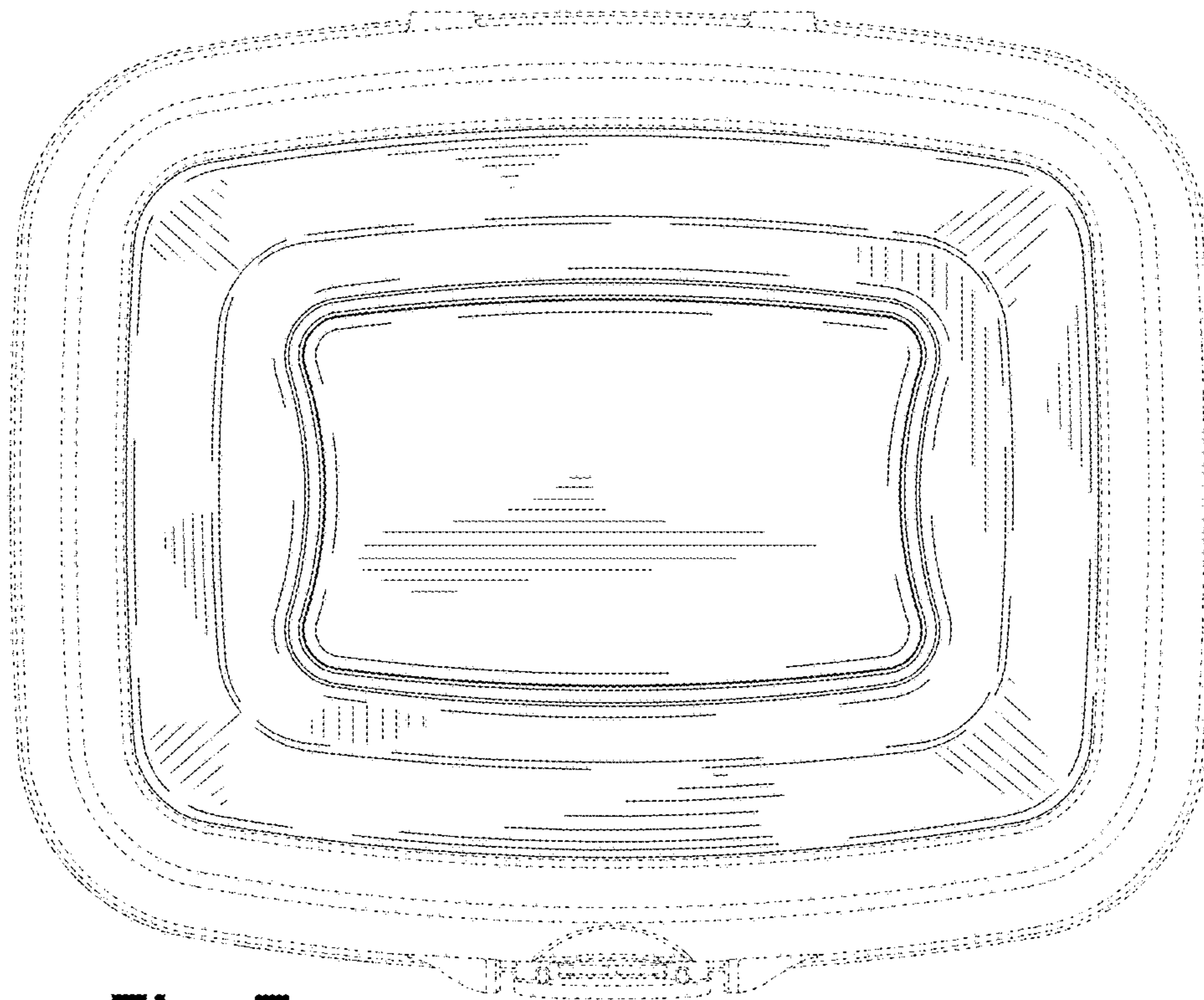


**Fig. 5**

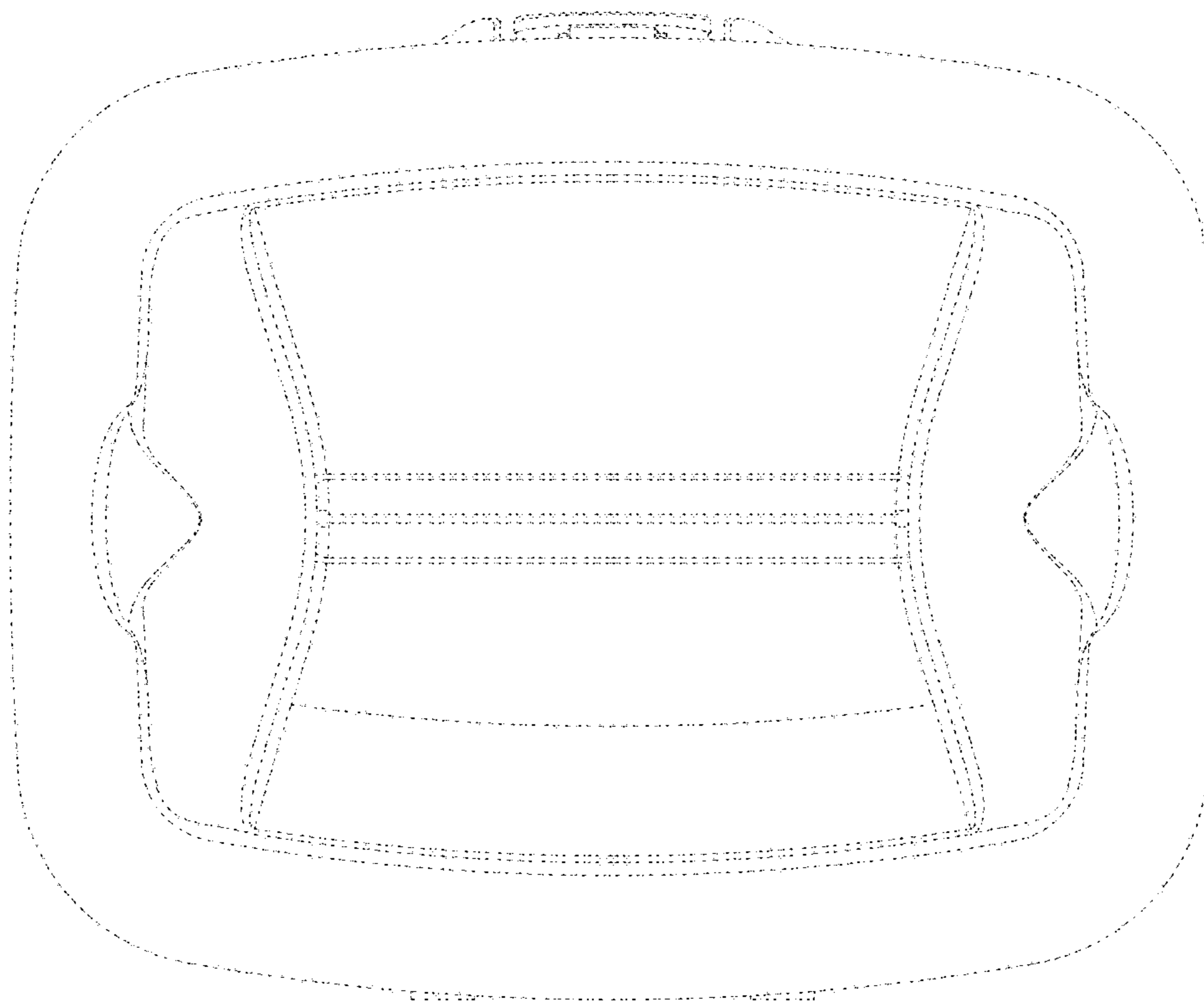




**Fig. 6**



**Fig. 7**



**Fig. 8**