



US00D782694S

(12) **United States Design Patent**  
**Wainwright et al.**

(10) **Patent No.:** **US D782,694 S**  
(45) **Date of Patent:** **\*\* \*Mar. 28, 2017**

(54) **FILTRATION DEVICE**

(71) Applicant: **Charles River Laboratories, Inc.**,  
Wilmington, MA (US)

(72) Inventors: **Norman R. Wainwright**, Johns Island,  
SC (US); **Dana M. Nutter**, Charleston,  
SC (US); **Eric Stimpson**, Charleston,  
SC (US); **Al Fuchs**, Charleston, SC  
(US); **Thomas Preidel**, Uslar (DE)

(73) Assignee: **Charles River Laboratories, Inc.**,  
Wilmington, MA (US)

(\*) Notice: This patent is subject to a terminal dis-  
claimer.

(\*\*) Term: **14 Years**

(21) Appl. No.: **29/508,253**

(22) Filed: **Nov. 4, 2014**

(51) **LOC (10) Cl.** ..... **24-02**

(52) **U.S. Cl.**  
USPC ..... **D24/224**

(58) **Field of Classification Search**  
USPC ... D24/121, 216, 223, 224, 227, 162, 110.6;  
D23/209; 600/304, 573, 574; 422/547,  
422/549, 500, 556, 557; 435/288.7,  
435/308.1, 297.5, 305.2, 305.3, 288.3,  
435/307.1  
CPC .. B01L 2200/0647; B01L 3/502; B01L 3/508;  
B01L 2300/06; B01L 2300/0829; B01L  
2300/042; G01N 1/00; G01N 1/42; C12M  
1/22; C12M 1/00; C12M 1/12  
See application file for complete search history.

(56) **References Cited**

**U.S. PATENT DOCUMENTS**

3,165,450 A 1/1965 Scheidt  
D238,886 S 2/1976 Goy

D248,916 S 8/1978 Reynolds et al.  
D249,708 S 9/1978 Smith et al.  
D258,761 S 3/1981 Graham  
D270,947 S \* 10/1983 Mehra ..... D23/209  
D273,330 S \* 4/1984 Rouch ..... D23/209  
4,495,289 A 1/1985 Lyman et al.  
4,516,358 A 5/1985 Marton et al.  
D284,034 S \* 5/1986 Grime ..... D24/162  
D285,606 S \* 9/1986 Christopherson ..... D23/209  
4,668,633 A 5/1987 Walton  
D294,520 S 3/1988 Holewinski et al.  
D295,319 S 4/1988 Franchere et al.  
D297,366 S 8/1988 Hsei  
D297,860 S \* 9/1988 Leoncavallo ..... D24/162

(Continued)

**OTHER PUBLICATIONS**

U.S. Appl. No. 29/508,242, filed Nov. 4, 2014, by Wainwright et al.  
(Continued)

*Primary Examiner* — Ian Simmons

*Assistant Examiner* — Mark Cavanna

(74) *Attorney, Agent, or Firm* — Goodwin Procter LLP

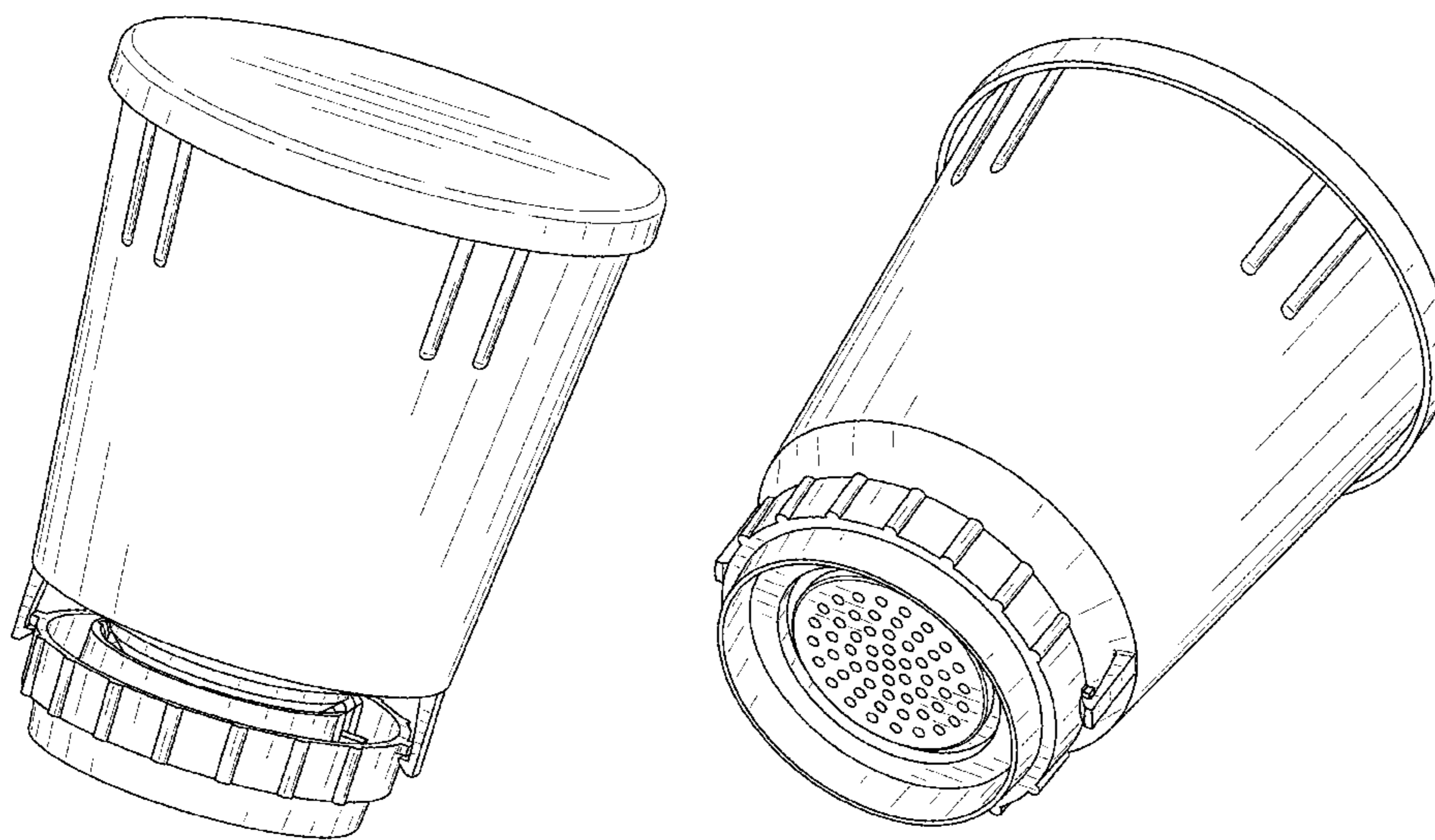
(57) **CLAIM**

The ornamental design for a filtration device, as shown and  
described.

**DESCRIPTION**

FIG. 1 is a top perspective view of a filtration device;  
FIG. 2 is a front elevation view thereof;  
FIG. 3 is a side elevation view thereof;  
FIG. 4 is a top plan view thereof;  
FIG. 5 is a bottom plan view thereof;  
FIG. 6 is a cross-sectional view thereof taken along line 6-6  
in FIG. 4; and,  
FIG. 7 is a bottom perspective view thereof.

**1 Claim, 4 Drawing Sheets**



(56)

References Cited

U.S. PATENT DOCUMENTS

D310,123 S 8/1990 Carlson  
 D315,208 S 3/1991 Valencia  
 5,021,351 A 6/1991 Ervin  
 D318,078 S 7/1991 Laib et al.  
 5,114,057 A 5/1992 Ishikawa  
 D335,677 S 5/1993 Davis et al.  
 D343,682 S \* 1/1994 Cattaoris ..... D24/162  
 5,366,893 A 11/1994 Stevens et al.  
 D359,125 S 6/1995 Livingston  
 5,505,716 A \* 4/1996 Simmet ..... A61D 19/04  
 600/34  
 D378,571 S 3/1997 Bastow  
 D384,415 S \* 9/1997 Maloney ..... D24/162  
 D404,497 S 1/1999 Lahm et al.  
 D407,491 S 3/1999 Rocha  
 D411,308 S 6/1999 Pandey et al.  
 D424,076 S 5/2000 Dibbern et al.  
 D430,304 S 8/2000 Oonuma et al.  
 D435,906 S 1/2001 Wilkinson et al.  
 6,358,730 B1 3/2002 Kane  
 D465,282 S 11/2002 Cecchi  
 D467,485 S 12/2002 Daniels et al.  
 D472,636 S \* 4/2003 Haynes ..... D24/216  
 D475,461 S \* 6/2003 Takagi ..... D24/162  
 D476,857 S 7/2003 Holsinger  
 6,730,510 B2 5/2004 Roos et al.  
 D499,035 S 11/2004 Cook et al.  
 D509,121 S 9/2005 Hede  
 D526,413 S \* 8/2006 Baker ..... D24/164  
 D542,931 S 5/2007 Pukall et al.  
 D546,626 S 7/2007 Chou  
 D563,560 S 3/2008 Copeland  
 7,393,694 B1 7/2008 Schlein et al.  
 D578,654 S \* 10/2008 Chianea ..... D24/224  
 D583,238 S 12/2008 Chen  
 D602,558 S \* 10/2009 Beams ..... D23/209  
 D612,688 S 3/2010 Bardolet  
 D618,819 S 6/2010 Wilkinson et al.  
 D620,310 S 7/2010 Lundberg  
 D623,764 S 9/2010 Py et al.  
 D629,120 S \* 12/2010 Lafond ..... D24/224  
 D630,338 S 1/2011 Lafond  
 D634,429 S \* 3/2011 Nordgren ..... D24/164  
 D637,733 S 5/2011 Wei  
 7,977,090 B2 7/2011 Hicks  
 D648,762 S 11/2011 Mack  
 D649,075 S 11/2011 Chan et al.

8,163,540 B2 4/2012 Acosta  
 8,168,443 B2 5/2012 Yu et al.  
 D674,505 S 1/2013 Cecchi  
 D678,516 S 3/2013 Wong  
 D687,561 S 8/2013 Iseki  
 D692,556 S \* 10/2013 Winter ..... D24/110.6  
 D693,467 S \* 11/2013 Doucette ..... D24/162  
 D693,939 S 11/2013 Iseki  
 D695,416 S 12/2013 Saliaris  
 D698,939 S 2/2014 Wainwright et al.  
 D698,940 S 2/2014 Pribenszky  
 D701,426 S 3/2014 Cornish  
 D703,343 S 4/2014 Biswas et al.  
 D704,854 S 5/2014 Wainwright et al.  
 D705,438 S 5/2014 Wainwright et al.  
 D705,439 S 5/2014 Wainwright et al.  
 D717,352 S 11/2014 Manian  
 D717,460 S 11/2014 Manian  
 D717,462 S \* 11/2014 Wainwright ..... D24/224  
 D717,463 S 11/2014 Wainwright et al.  
 D717,464 S 11/2014 Wainwright et al.  
 D719,666 S 12/2014 Manian  
 D719,667 S 12/2014 Manian  
 D724,755 S 3/2015 Wainwright et al.  
 D726,929 S 4/2015 Wainwright et al.  
 D728,816 S 5/2015 Wainwright et al.  
 D745,679 S \* 12/2015 Verri ..... D24/162  
 D759,836 S \* 6/2016 Wainwright ..... D24/216  
 D759,837 S \* 6/2016 Wainwright ..... D24/224  
 2004/0146965 A1 7/2004 Brayton  
 2006/0172412 A1 8/2006 Perrier et al.  
 2006/0240549 A1 10/2006 Minton  
 2007/0110617 A1 5/2007 Nagai et al.  
 2008/0026419 A1 1/2008 Bottlang et al.  
 2011/0097790 A1 4/2011 Yerbic  
 2012/0058553 A1 \* 3/2012 Haywood ..... B01L 3/502  
 422/547  
 2013/0093144 A1 4/2013 Bordeianu et al.  
 2013/0323745 A1 12/2013 Wainwright et al.  
 2014/0123597 A1 5/2014 Mallett et al.

OTHER PUBLICATIONS

U.S. Appl. No. 29/509,191, filed Nov. 14, 2014, by Wainwright et al.  
 U.S. Appl. No. 29/508,248, filed Nov. 4, 2014, by Wainwright et al.  
 U.S. Appl. No. 29/508,263, filed Nov. 4, 2014, by Wainwright et al.  
 U.S. Appl. No. 29/508,264, filed Nov. 4, 2014, by Wainwright et al.

\* cited by examiner

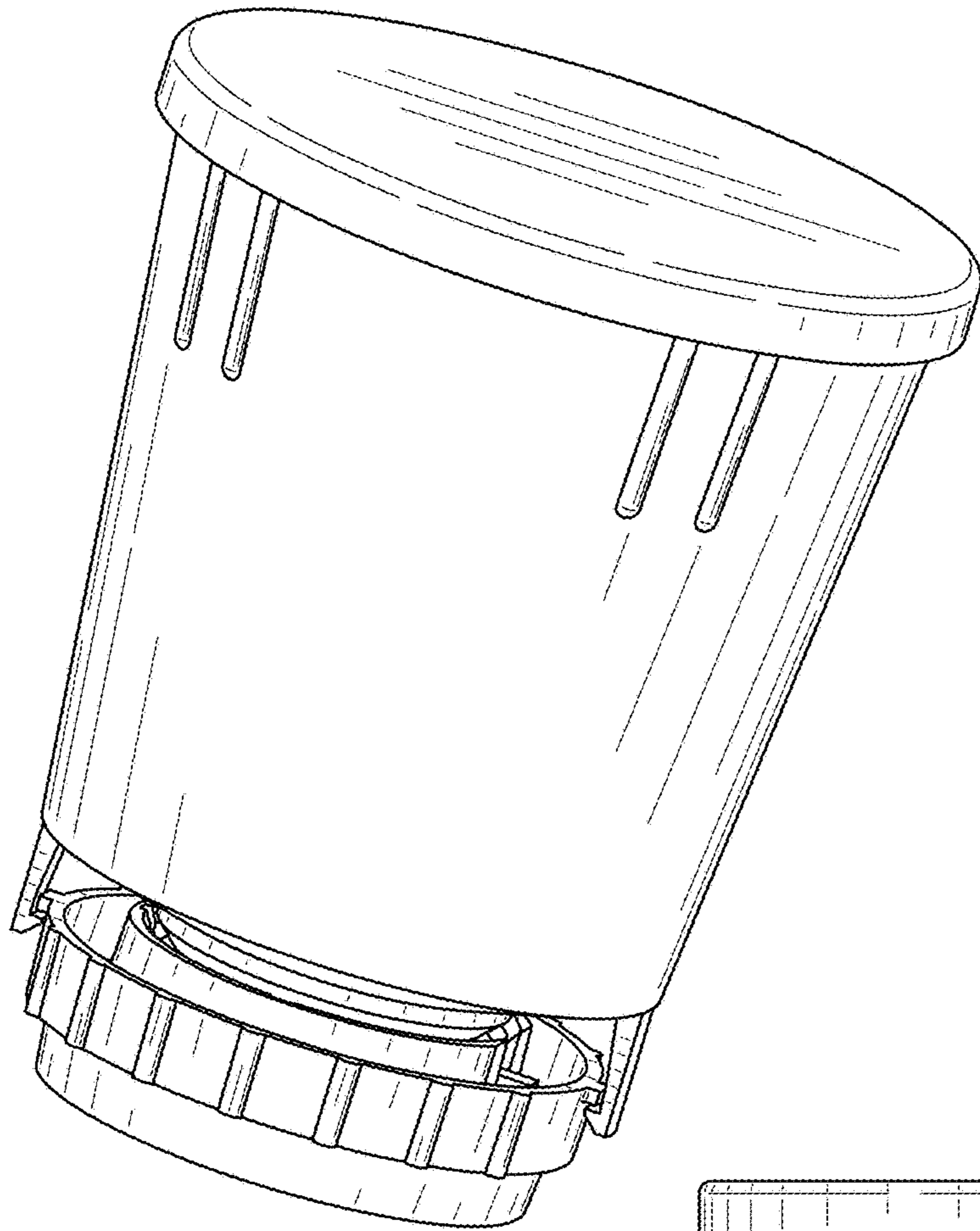


FIG. 1

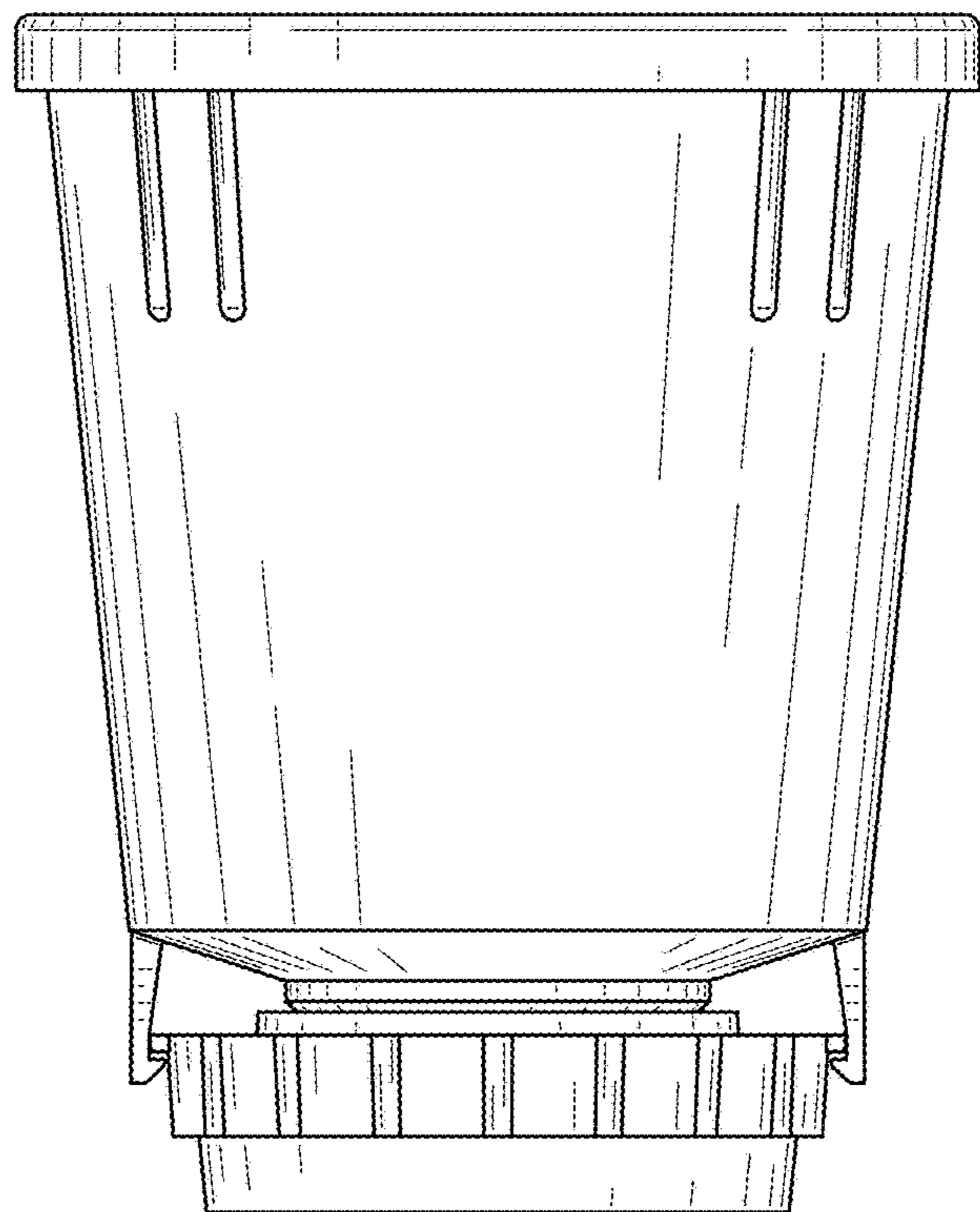


FIG. 2

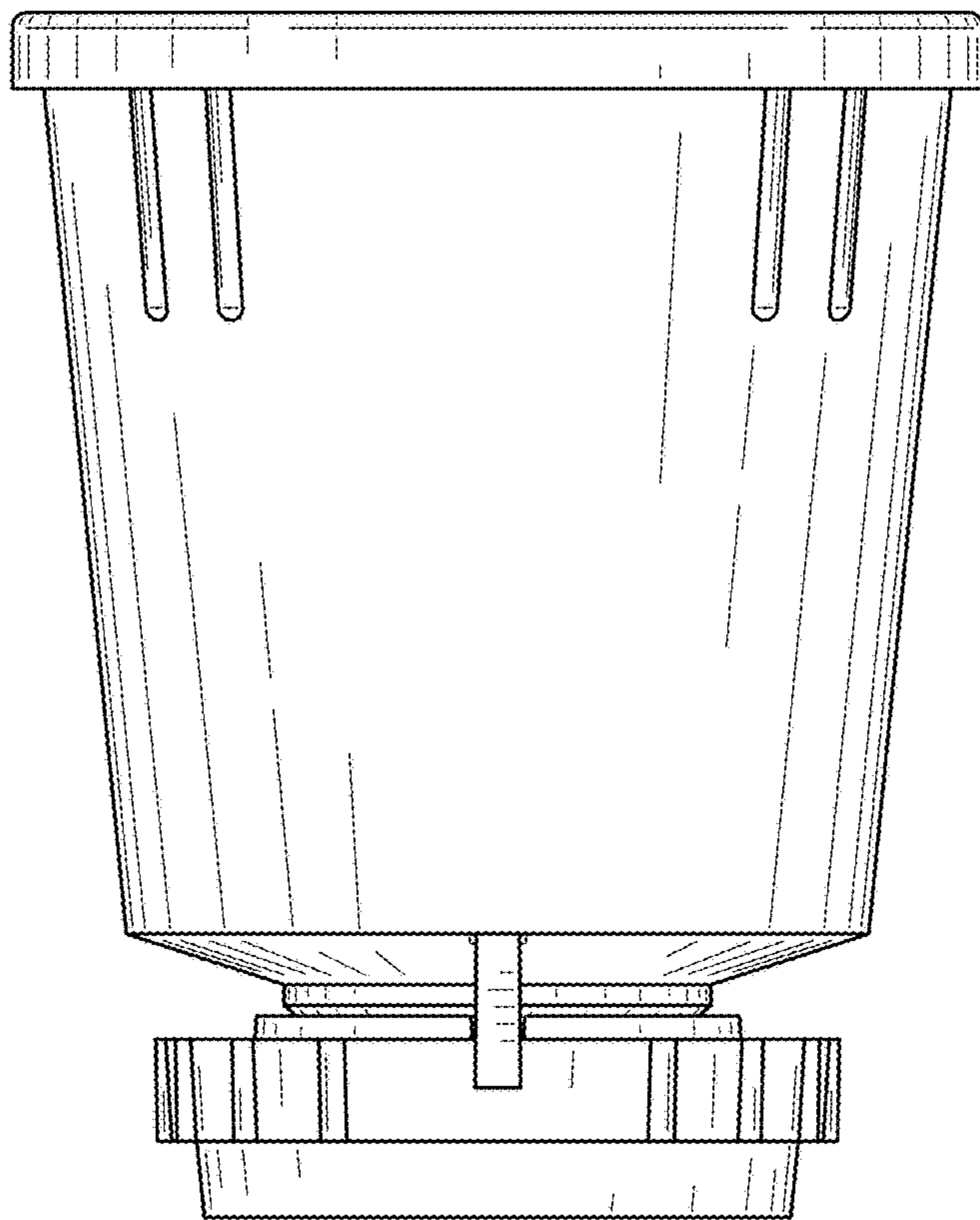


FIG. 3

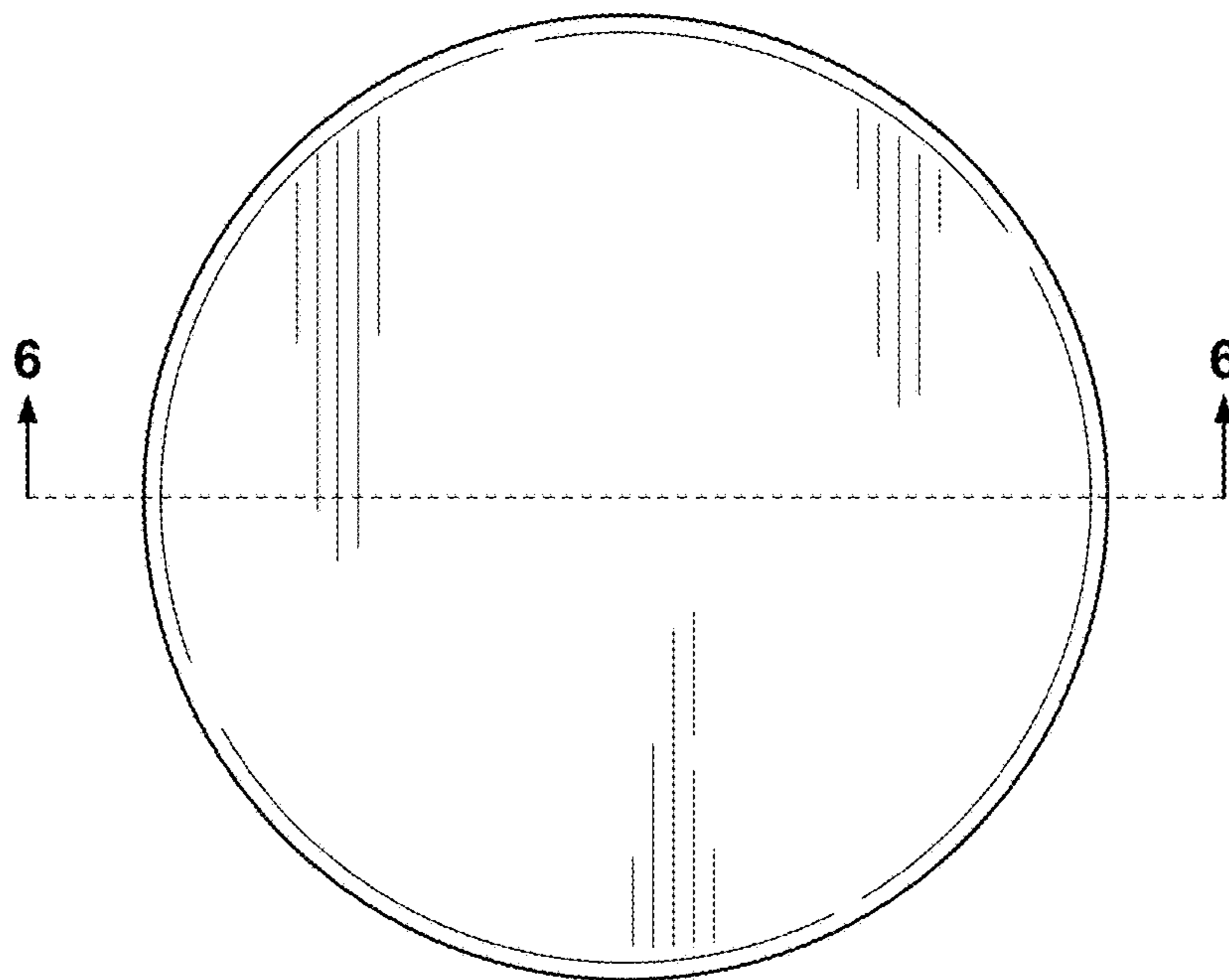


FIG. 4

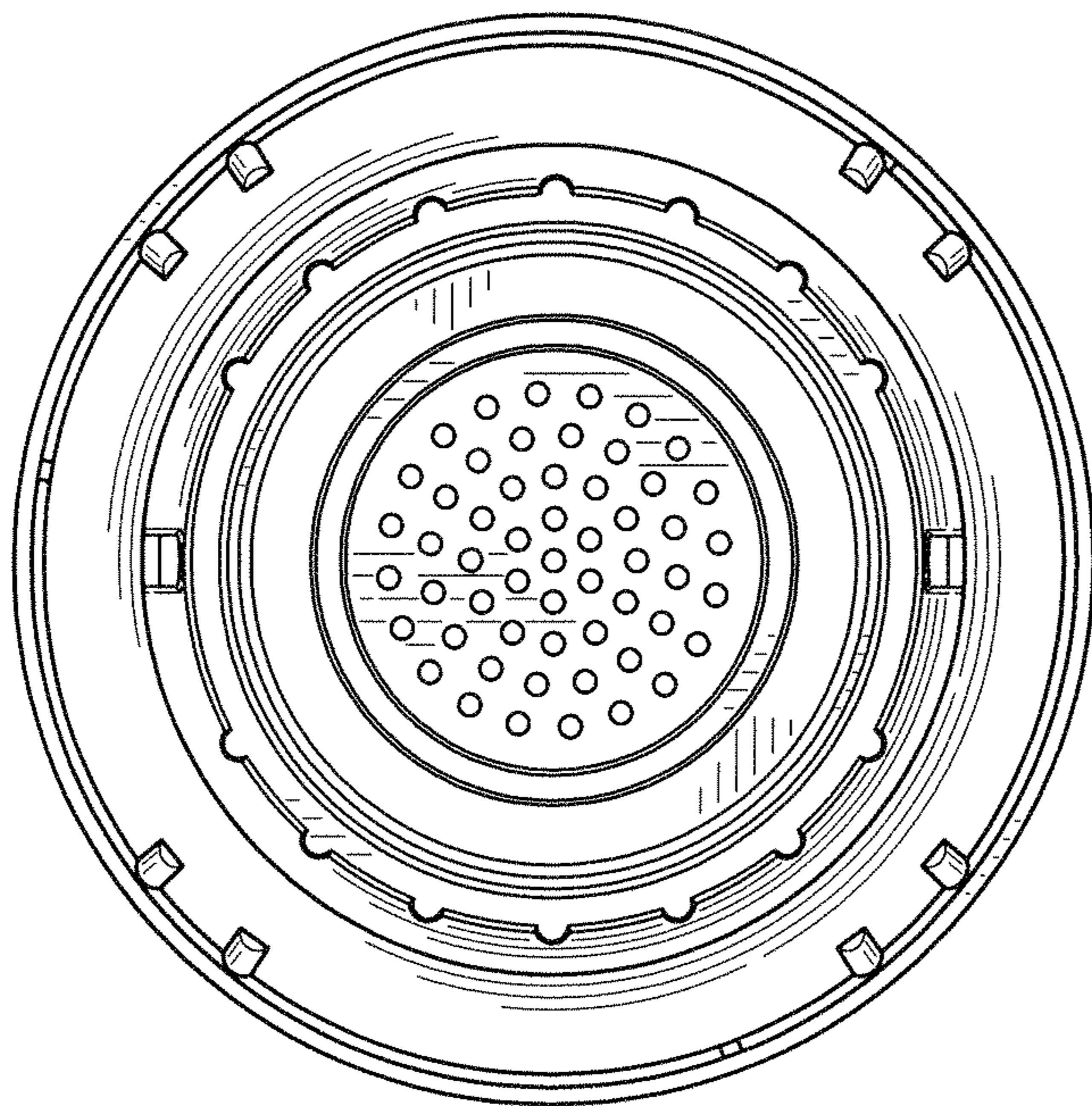


FIG. 5

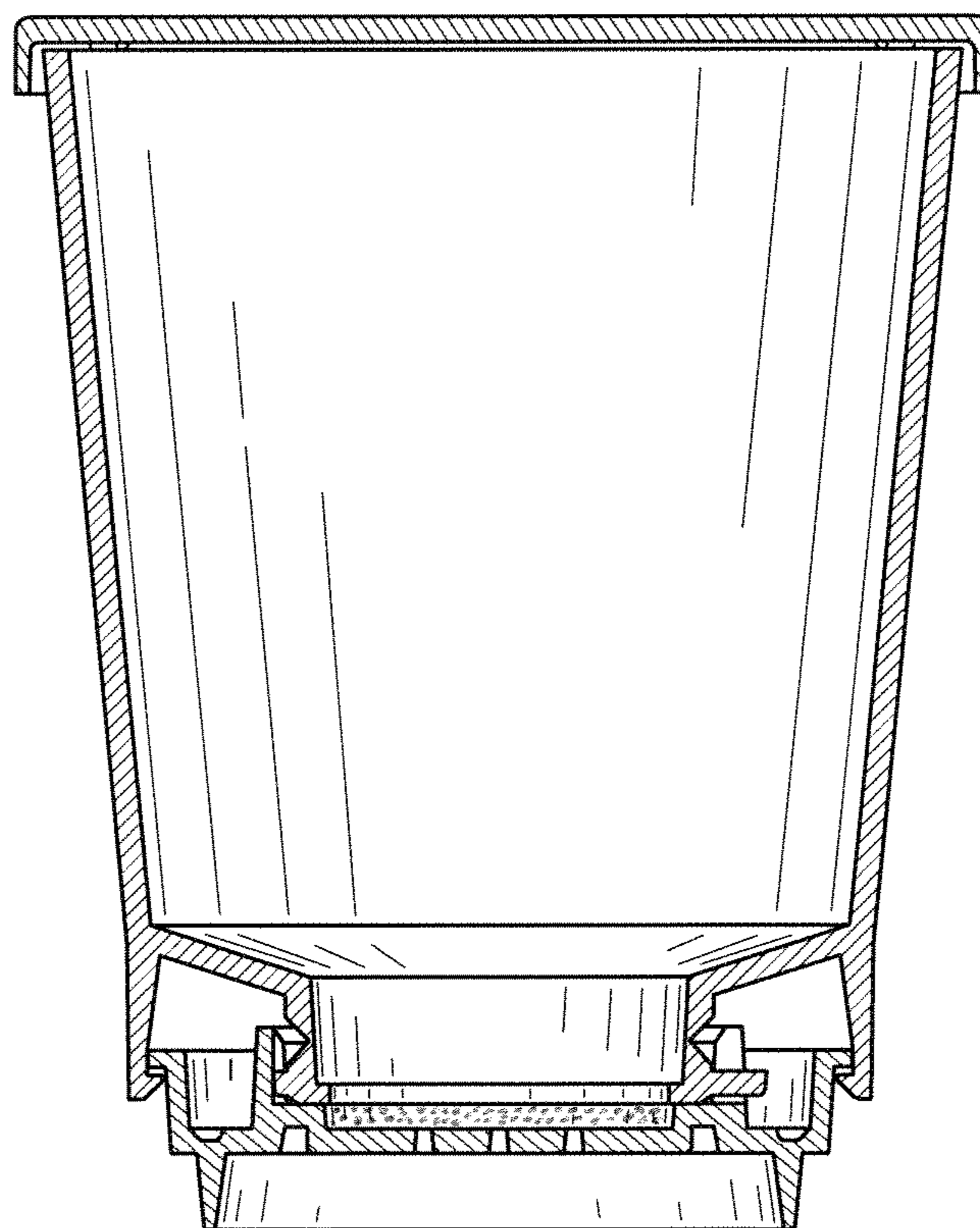


FIG. 6

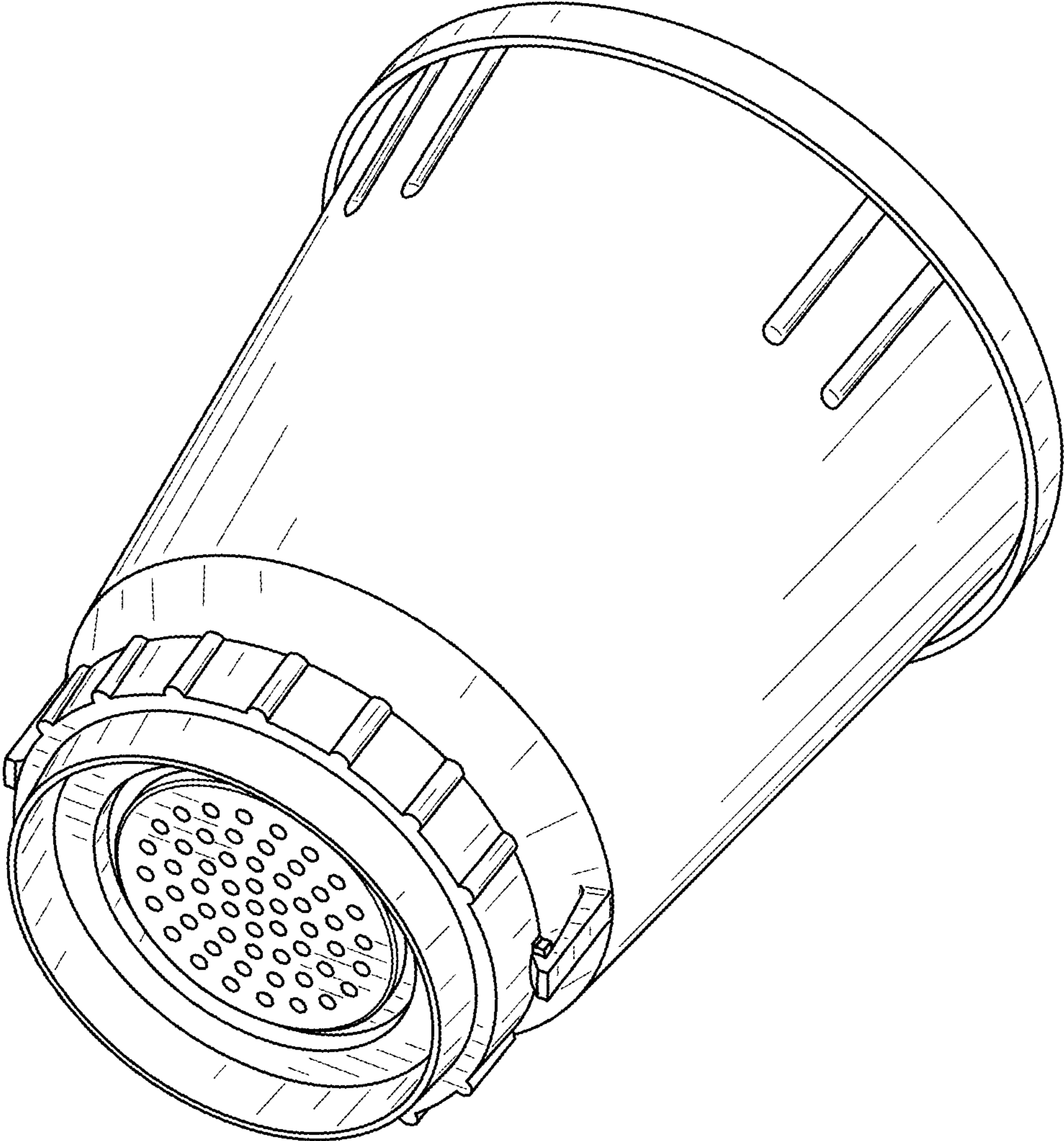


FIG. 7