



US00D782691S

(12) **United States Design Patent**
Funakoshi et al.

(10) **Patent No.:** **US D782,691 S**
(45) **Date of Patent:** **** Mar. 28, 2017**

(54) **CELL COUNTER**

(71) Applicant: **OLYMPUS CORPORATION**,
Shibuya-ku, Tokyo (JP)

(72) Inventors: **Yasuo Funakoshi**, Hachioji (JP);
Takumi Umemura, Hachioji (JP);
Hideki Obuchi, Hachioji (JP); **Yuki**
Yokomachi, Hachioji (JP)

(73) Assignee: **OLYMPUS CORPORATION**, Tokyo
(JP)

(**) Term: **15 Years**

(21) Appl. No.: **29/549,077**

(22) Filed: **Dec. 18, 2015**

(30) **Foreign Application Priority Data**

Jun. 23, 2015 (JP) 2015-013864

(51) **LOC (10) Cl.** **24-01**

(52) **U.S. Cl.**
USPC **D24/216**

(58) **Field of Classification Search**

USPC D24/216, 223, 224, 231, 232, 233, 169,
D24/186; D10/81

CPC G01N 2035/00306; G01N 2035/00326;
G01N 2035/00336; G01N 15/1434; G01N
2015/0065; C12M 1/3446; C12M 1/3453;
C12M 1/3461; C12M 1/3469; C12M
1/3476; C12M 41/36

See application file for complete search history.

(56) **References Cited**

U.S. PATENT DOCUMENTS

D571,474 S * 6/2008 Sjo-Gaber D24/186
D649,075 S * 11/2011 Chan D10/81

D680,657 S * 4/2013 Lee D24/216
D685,277 S * 7/2013 Ammon D10/81
D695,418 S * 12/2013 Updyke D24/233
D737,702 S * 9/2015 Selberg D24/232
D742,767 S * 11/2015 Saga D24/216
2005/0203353 A1* 9/2005 Ma G01N 21/8483
600/315
2011/0211058 A1* 9/2011 McCollum G01N 15/1434
348/79
2012/0288890 A1* 11/2012 Oouchi C12M 41/36
435/39
2013/0147940 A1* 6/2013 Lim G02B 21/0004
348/79

* cited by examiner

Primary Examiner — Anhdao Doan

(74) *Attorney, Agent, or Firm* — Holtz, Holtz & Volek PC

(57) **CLAIM**

The ornamental design for a cell counter, as shown and described.

DESCRIPTION

FIG. 1 is a front, top and right side perspective view of a cell counter showing our new design;
FIG. 2 is a front elevational view thereof;
FIG. 3 is a rear elevational view thereof;
FIG. 4 is a top plan view thereof;
FIG. 5 is a bottom plan view thereof;
FIG. 6 is a left side elevational view thereof; and,
FIG. 7 is a right side elevational view thereof.
The broken lines in FIG. 3 represent the bounds of the claim and form no part of the claimed design.

1 Claim, 4 Drawing Sheets

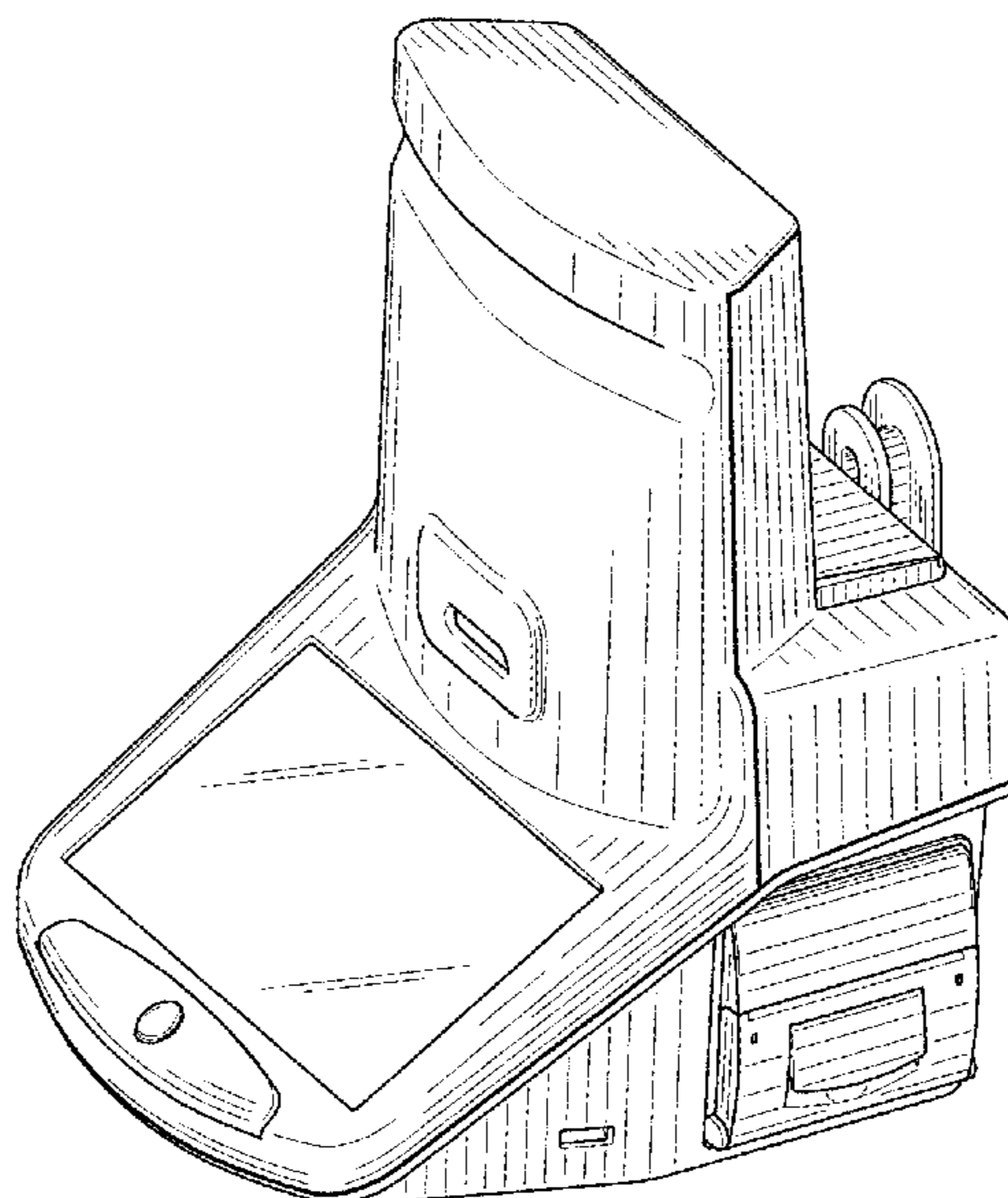


FIG. 1

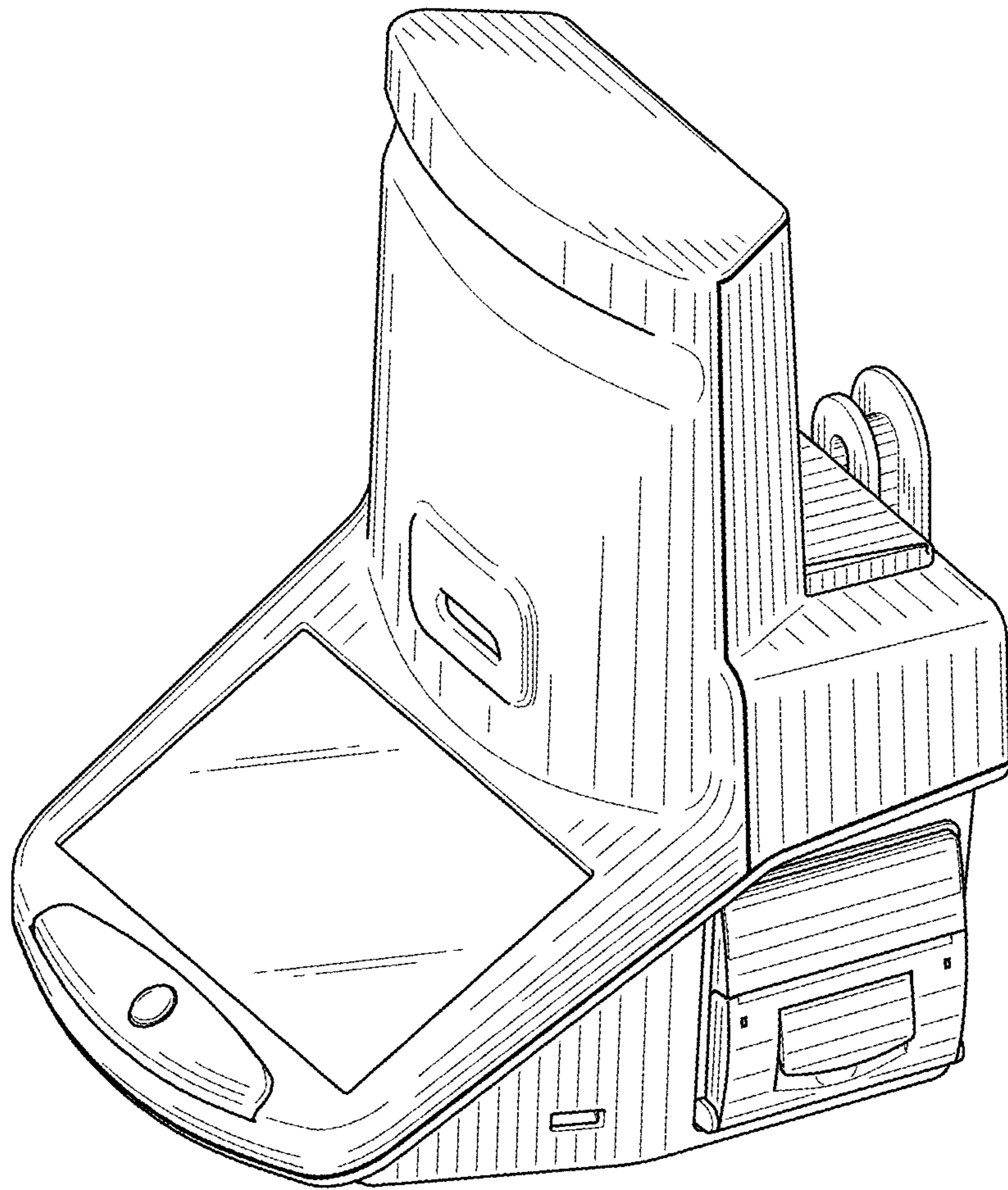


FIG. 2

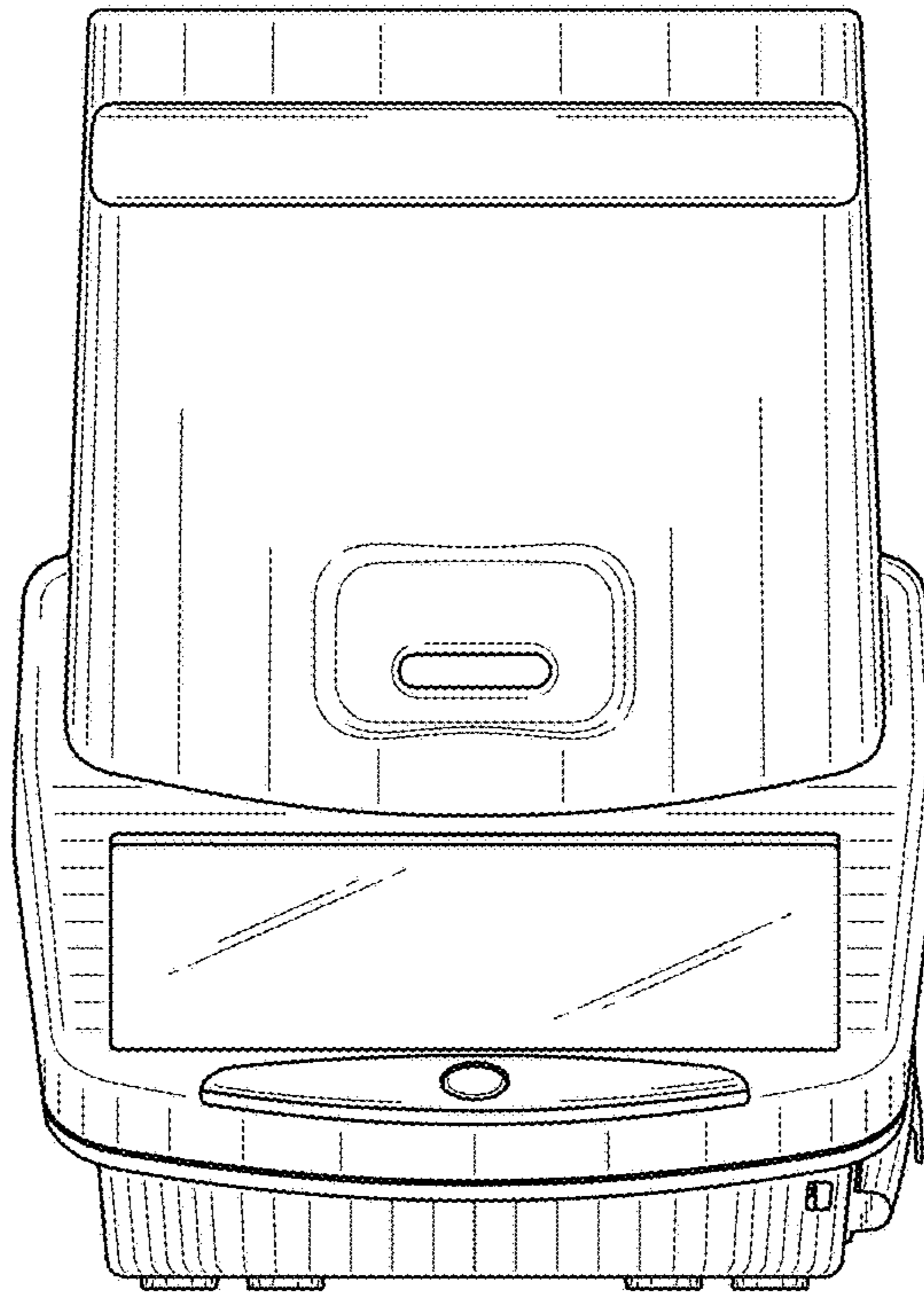


FIG. 3

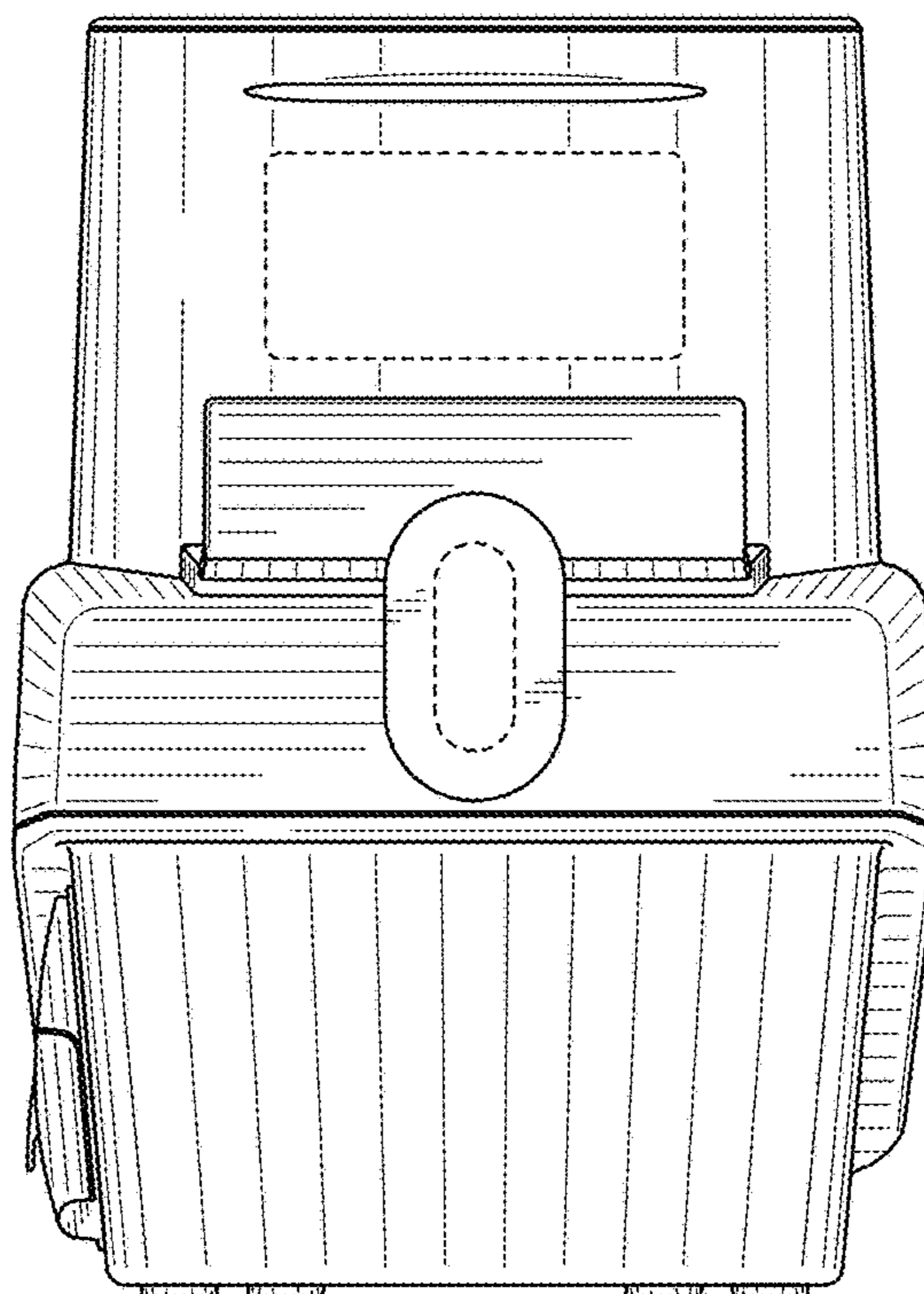


FIG. 4

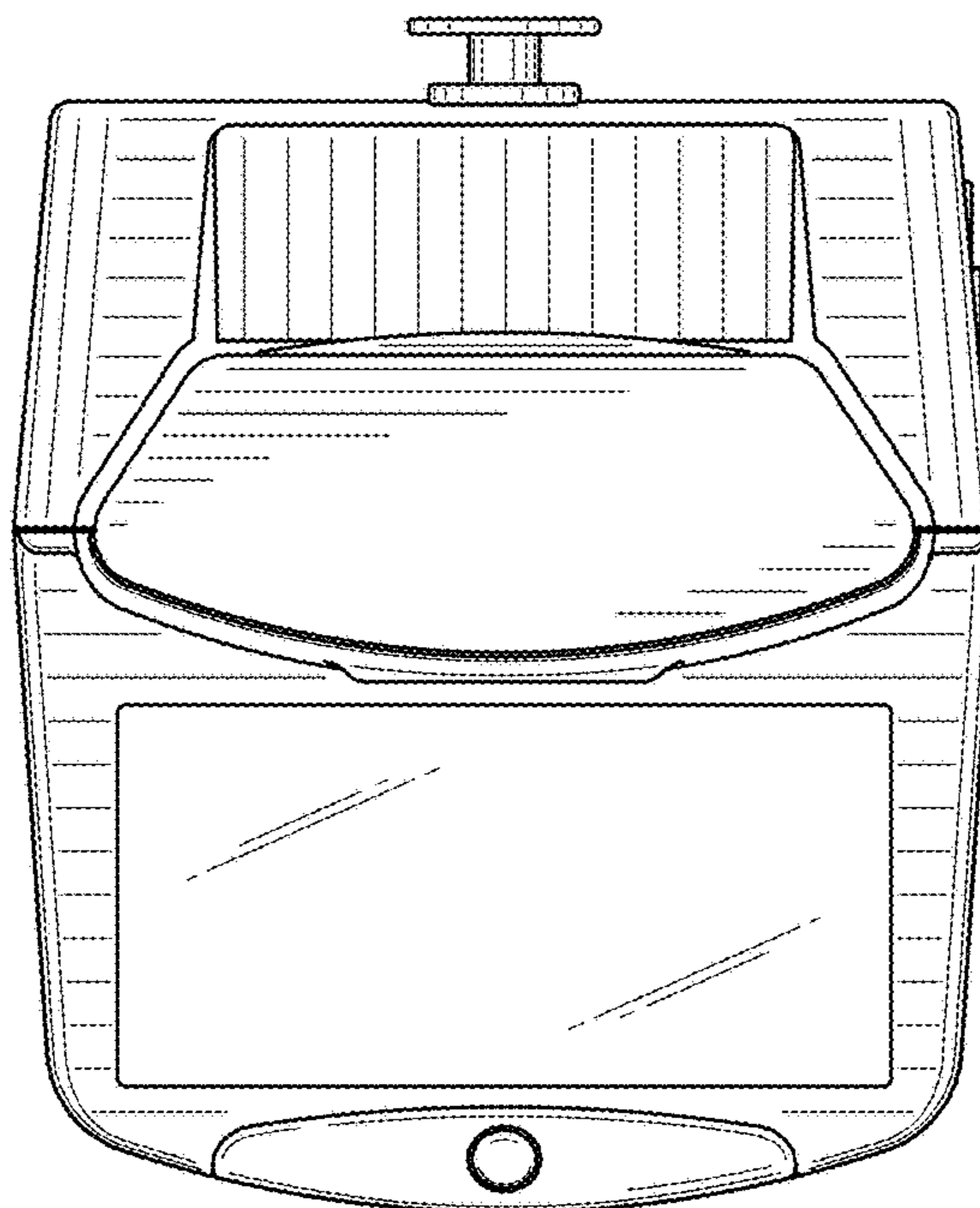


FIG. 5

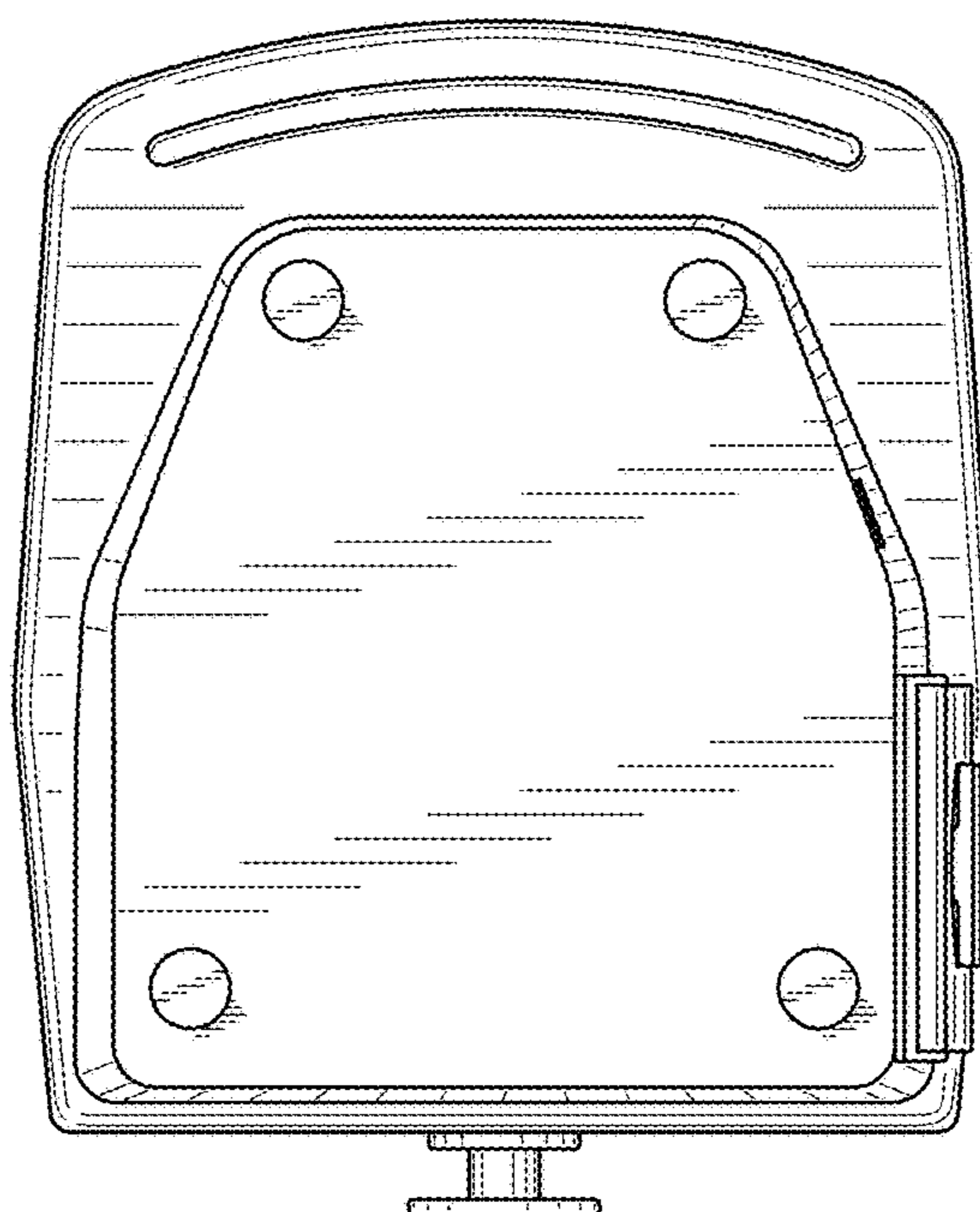


FIG. 6

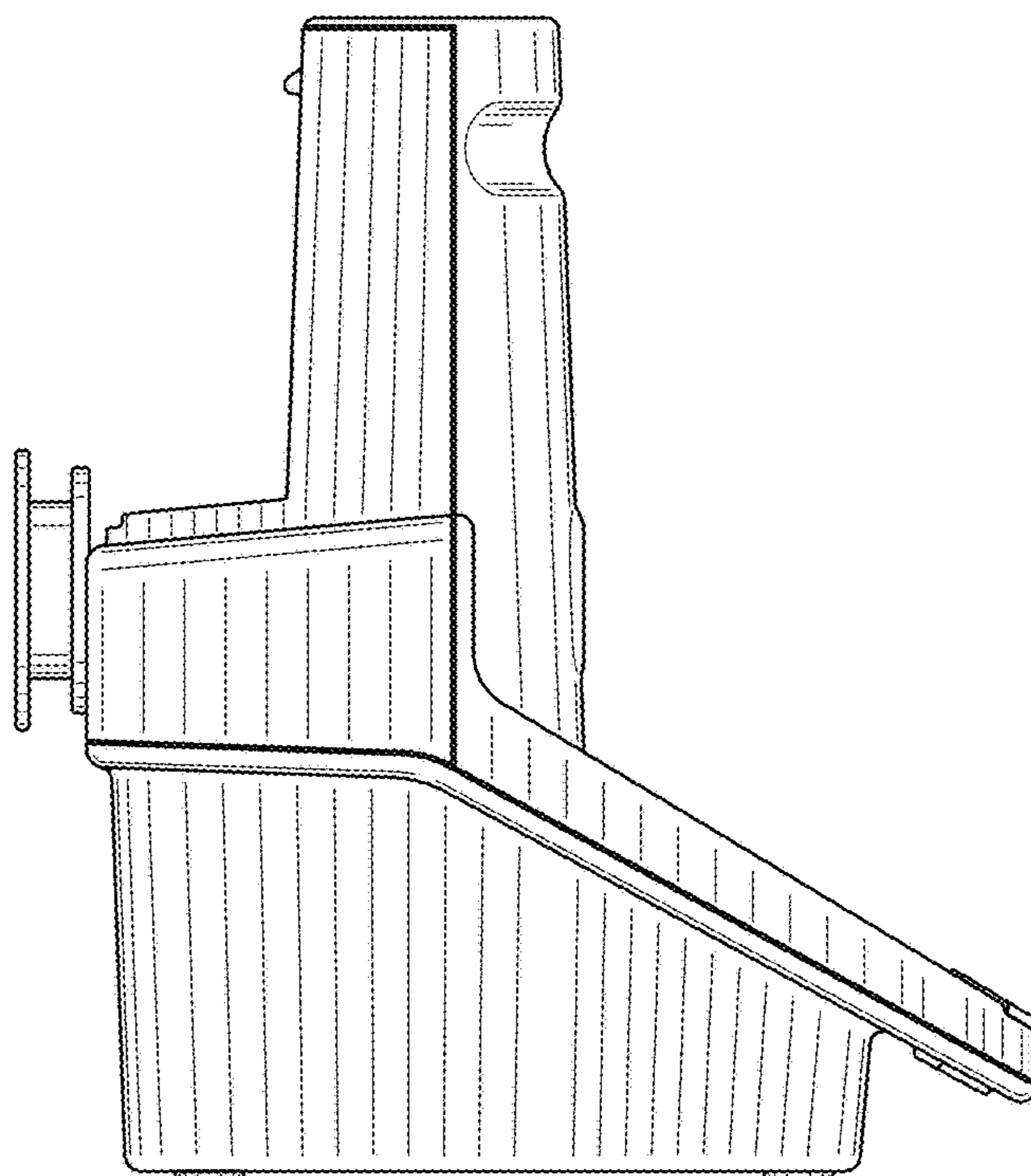


FIG. 7

