



US00D782690S

(12) **United States Design Patent**  
**Kurihara**

(10) **Patent No.:** **US D782,690 S**  
(45) **Date of Patent:** **\*\* Mar. 28, 2017**

- (54) **SAMPLE PREPARATION INSTRUMENT**
- (71) Applicant: **Illumina, Inc.**, San Diego, CA (US)
- (72) Inventor: **Jun Kurihara**, Milpitas, CA (US)
- (73) Assignee: **Illumina, Inc.**, San Diego, CA (US)
- (\*\*) Term: **15 Years**
- (21) Appl. No.: **29/535,465**
- (22) Filed: **Aug. 6, 2015**
- (51) **LOC (10) Cl.** ..... **24-01**
- (52) **U.S. Cl.**  
USPC ..... **D24/216**
- (58) **Field of Classification Search**  
USPC ..... D24/216–219, 231, 232, 233, 107, 169,  
D24/186; D10/81  
CPC ..... G01N 2035/00306; G01N 2035/00326;  
G01N 2035/00336; G01N 2030/027  
See application file for complete search history.

(56) **References Cited**

**U.S. PATENT DOCUMENTS**

- D482,796 S \* 11/2003 Oyama ..... D24/232
- D670,402 S \* 11/2012 Shibata ..... D24/216
- D682,441 S \* 5/2013 Kim ..... D24/216
- D691,732 S \* 10/2013 Shibata ..... D24/216
- D735,883 S \* 8/2015 Bauer ..... D24/231
- 2015/0253345 A1 \* 9/2015 Lee ..... G01N 35/00029  
436/162

2016/0061714 A1\* 3/2016 Matsuura ..... G01N 35/04  
29/402.08

\* cited by examiner

*Primary Examiner* — Anhdao Doan

(74) *Attorney, Agent, or Firm* — Knobbe Martens Olson & Bear LLP

(57) **CLAIM**

The ornamental design for a sample preparation instrument, as shown and described.

**DESCRIPTION**

FIG. 1 is a perspective view of a sample preparation instrument in accordance with the present invention.

FIG. 2 is a front view of the sample preparation instrument of FIG. 1.

FIG. 3 is a rear view of the sample preparation instrument of FIG. 1.

FIG. 4 is a right side view of the sample preparation instrument of FIG. 1.

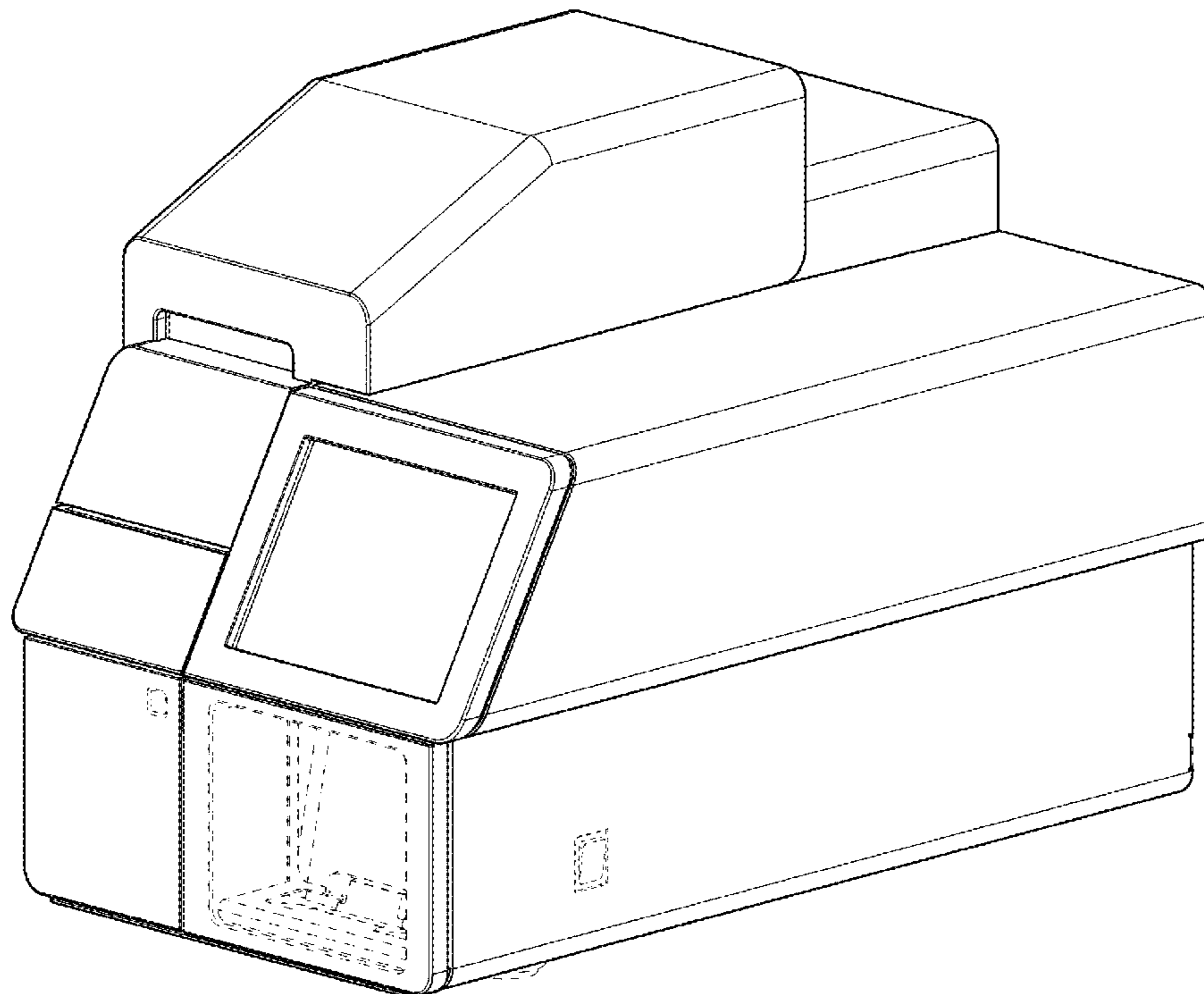
FIG. 5 is a left side view of the sample preparation instrument of FIG. 1.

FIG. 6 is a top view of the sample preparation instrument of FIG. 1; and,

FIG. 7 is a bottom view of the sample preparation instrument of FIG. 1.

In the drawings, broken lines depict portions of the sample preparation instrument that form no part of the claimed design.

**1 Claim, 7 Drawing Sheets**



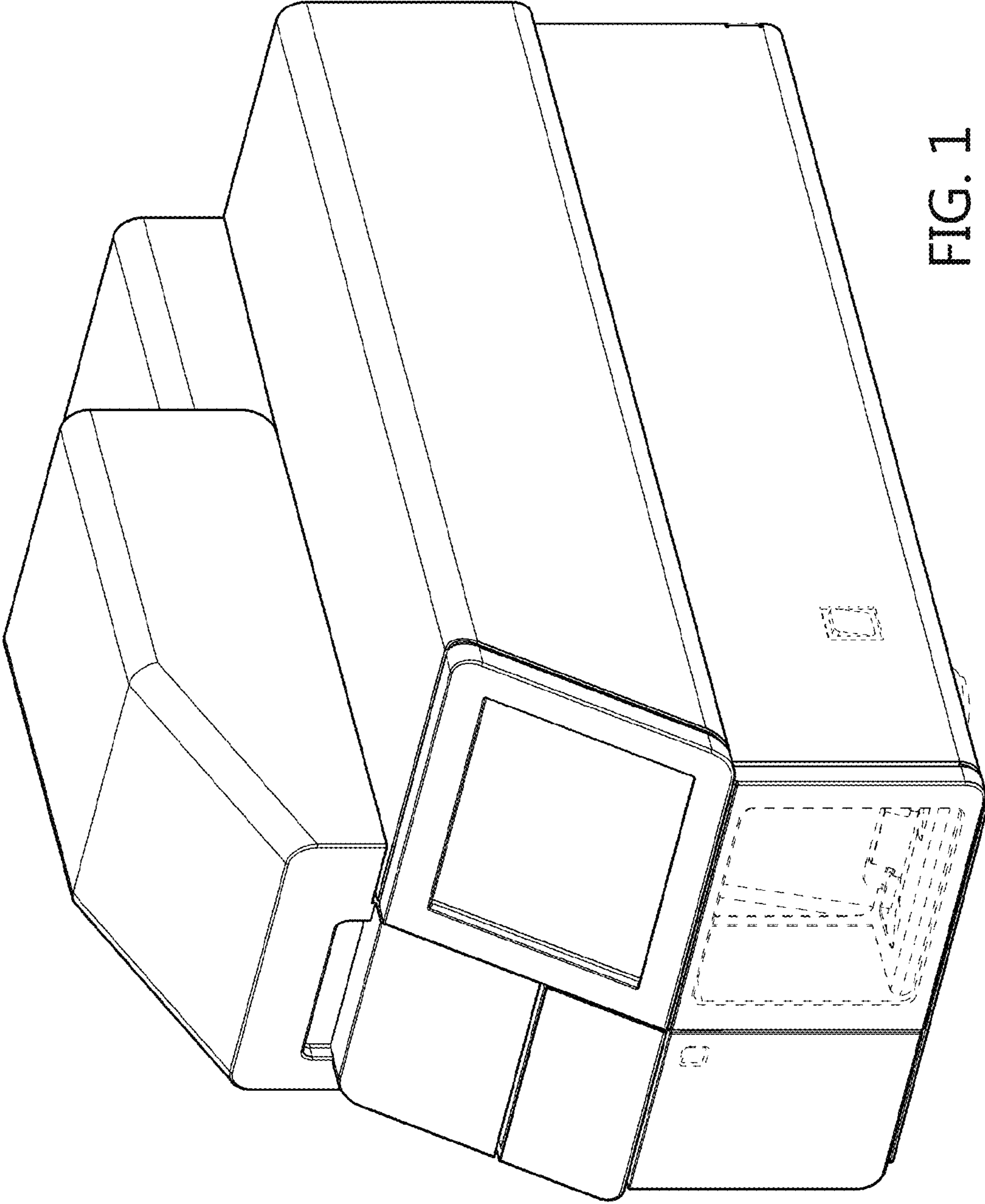


FIG. 1

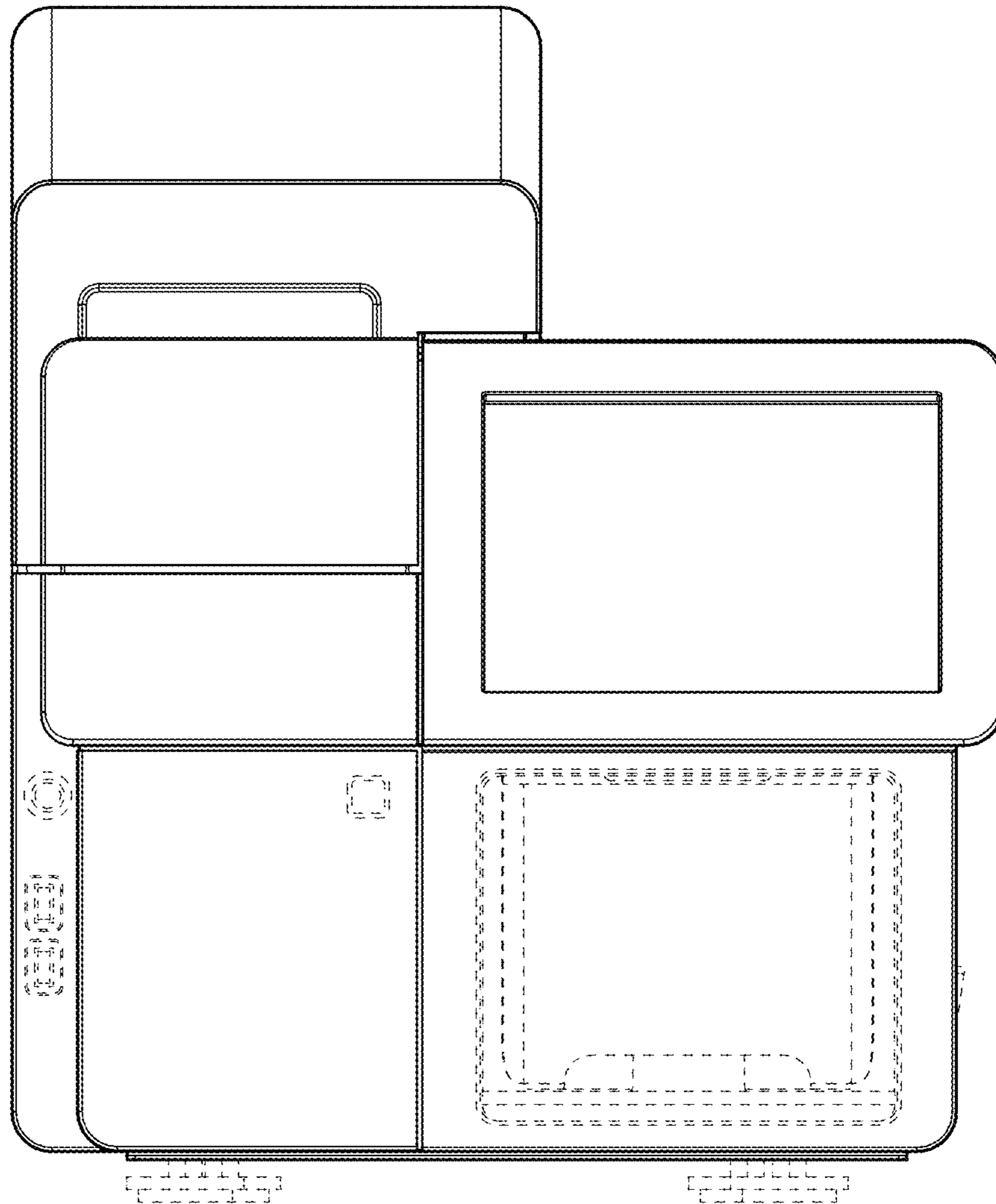


FIG. 2

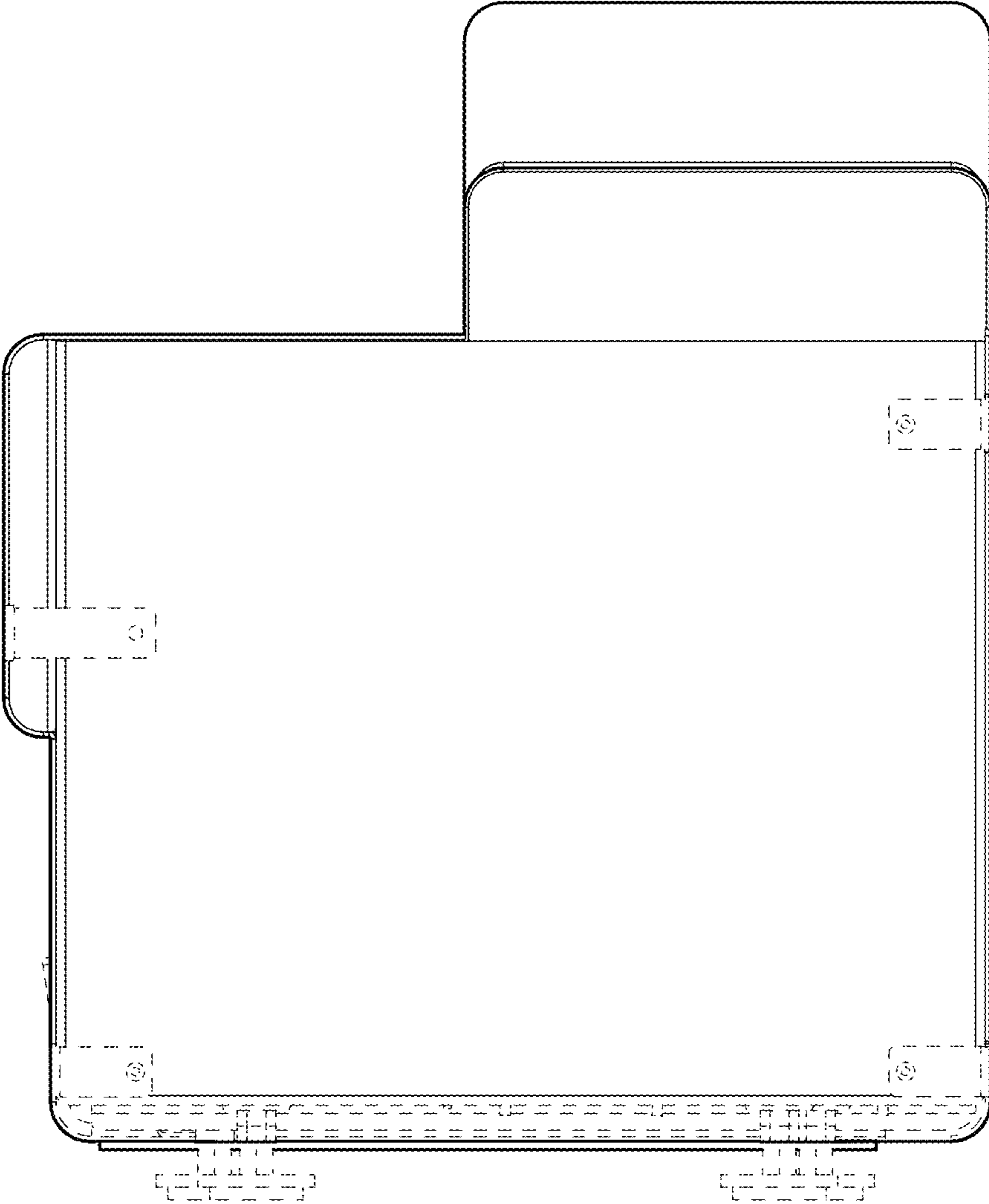


FIG. 3

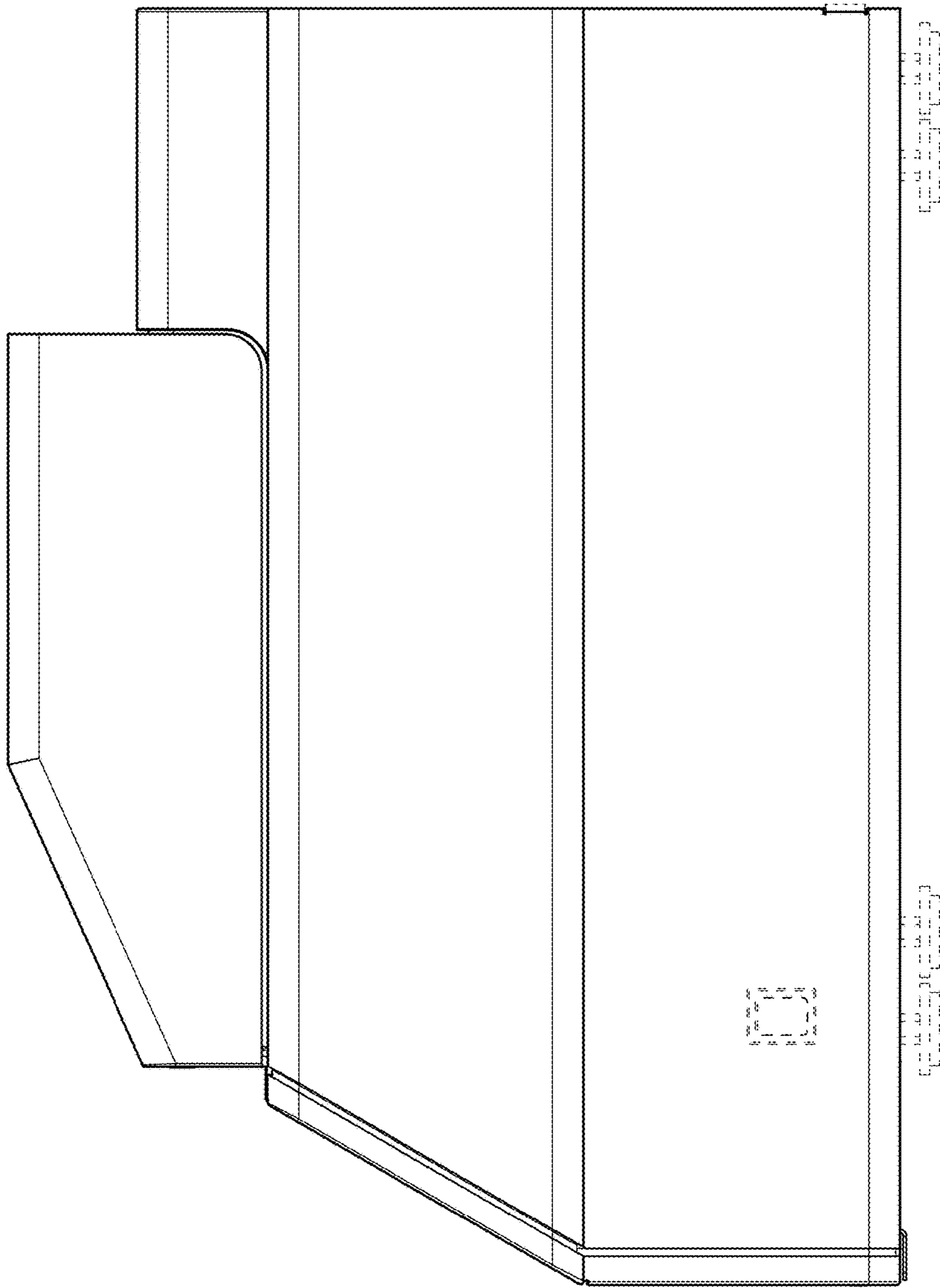


FIG. 4

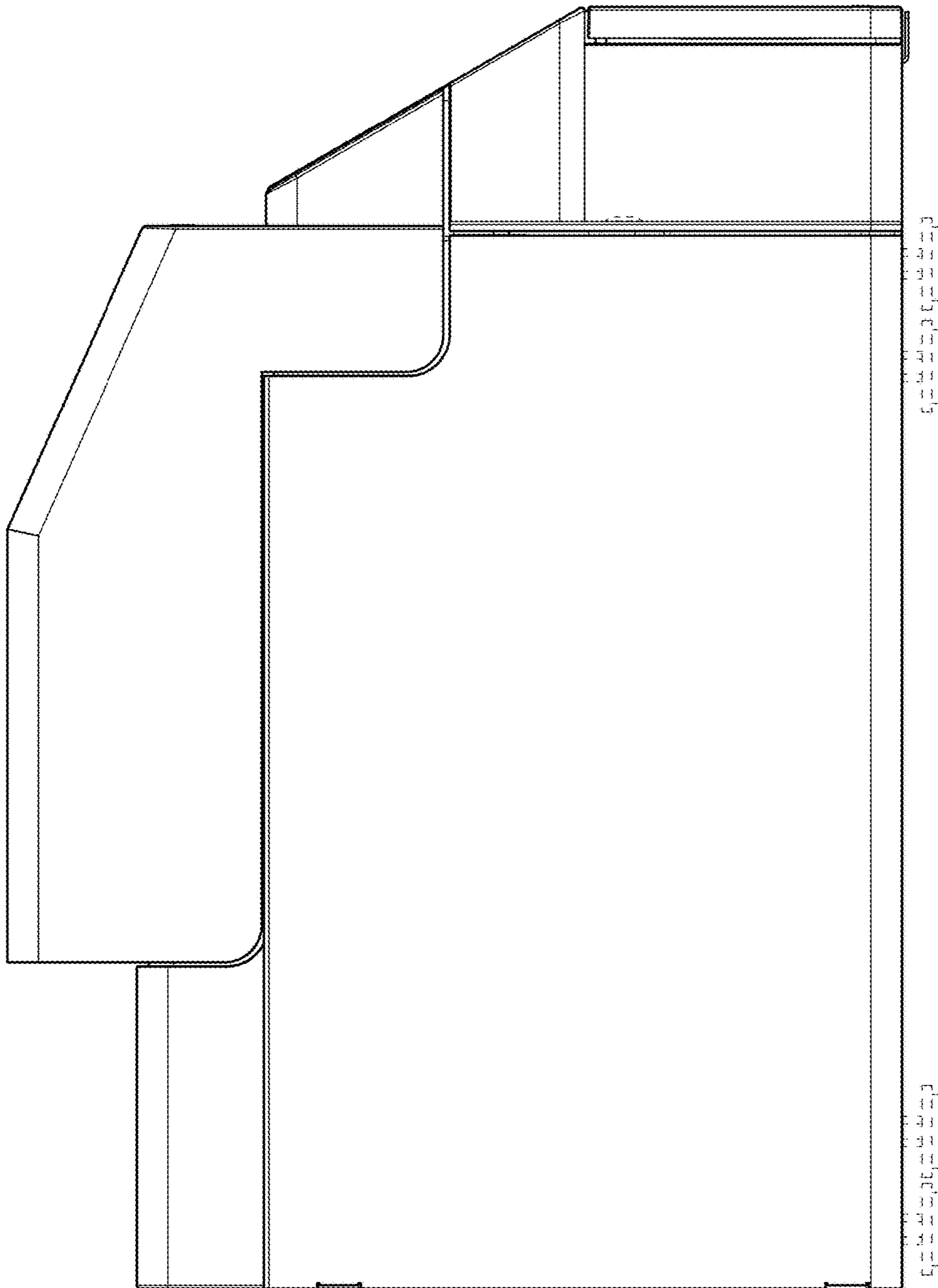


FIG. 5

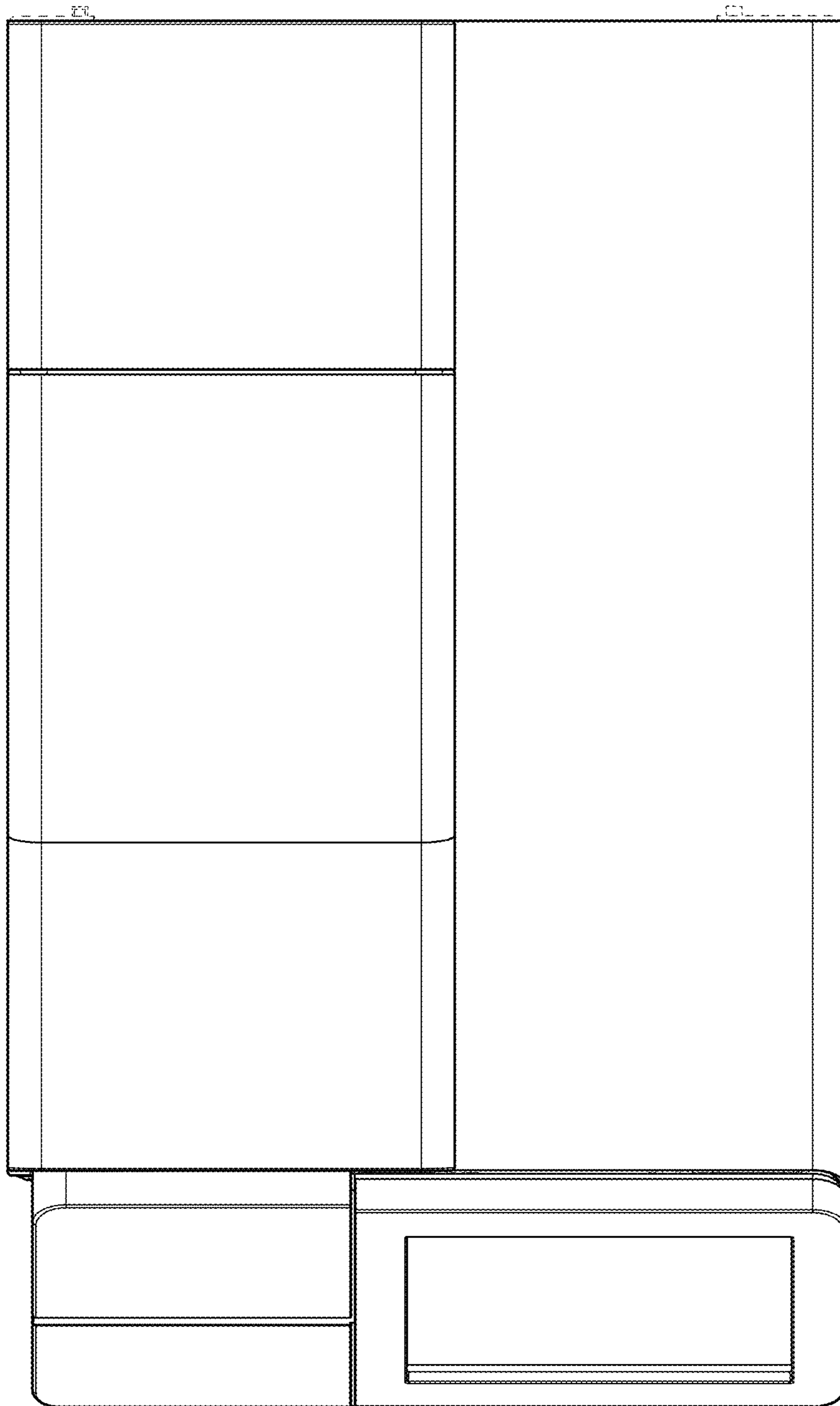


FIG. 6

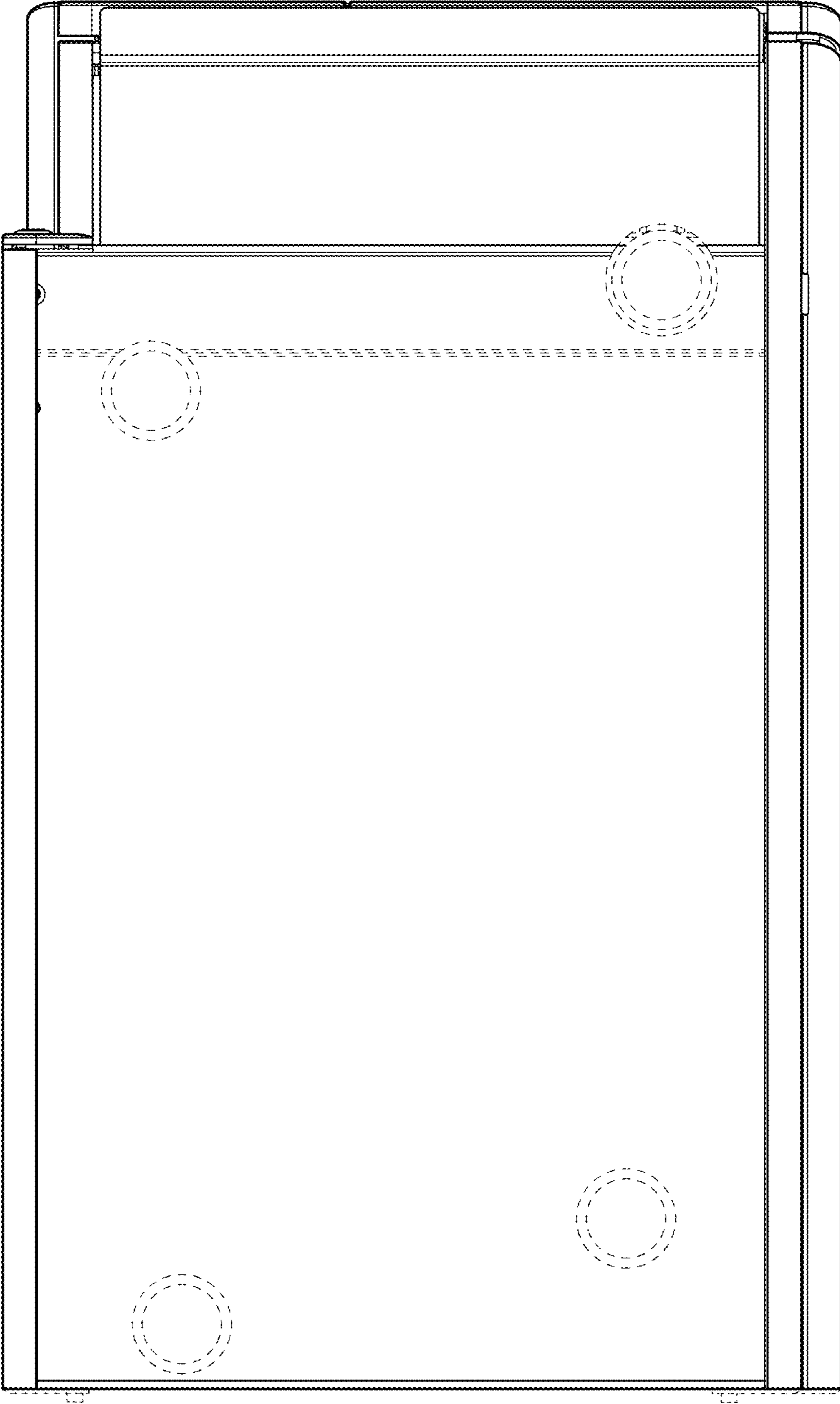


FIG. 7