



US00D782685S

(12) **United States Design Patent** (10) **Patent No.:** **US D782,685 S**
Pippel et al. (45) **Date of Patent:** **** Mar. 28, 2017**

- (54) **ULTRASOUND DEVICE AND HOLDER IN COMBINATION**
- (71) Applicant: **Access Business Group International LLC**, Ada, MI (US)
- (72) Inventors: **Bradley J. Pippel**, Grandville, MI (US); **Sean T. Eurich**, Holland, MI (US); **Joe D. Doucet**, Brooklyn, NY (US); **Michael E. Miles**, Grand Rapids, MI (US); **Daniel L. Schlenk**, Grand Rapids, MI (US)
- (73) Assignee: **Access Business Group International LLC**, Ada, MI (US)

5,482,047 A	1/1996	Nordgren et al.
D369,307 S	4/1996	Imling et al.
D375,450 S	11/1996	Bidwell et al.
D389,919 S	1/1998	Ninomiya
D390,959 S	2/1998	Mesaros et al.
D391,838 S	3/1998	Bidwell et al.
6,746,402 B2	6/2004	Ustuner
D533,514 S *	12/2006	Hidalgo D13/168
D550,365 S	9/2007	Kitayama
D554,264 S	10/2007	Watson et al.
D572,206 S *	7/2008	Ikeda D13/168
D636,087 S	4/2011	Loew et al.
D636,088 S	4/2011	Loew et al.
D653,347 S	1/2012	Tani et al.
D687,153 S	7/2013	Torzilli
D700,970 S	3/2014	Kim

(Continued)

(**) Term: **15 Years**

Primary Examiner — Anhdao Doan

(21) Appl. No.: **29/556,820**

(74) *Attorney, Agent, or Firm* — Warner Norcross and Judd LLP

(22) Filed: **Mar. 3, 2016**

(57) **CLAIM**

(51) **LOC (10) Cl.** **24-01**

The ornamental design for an ultrasound device and holder in combination, as shown and described.

(52) **U.S. Cl.**

DESCRIPTION

USPC **D24/186; D24/187**

(58) **Field of Classification Search**

USPC D24/158–161, 185, 186, 107, 187
CPC ... A61B 8/4405; A61B 8/4411; A61B 8/4427;
A61B 8/462; A61B 8/0437; A61B 8/0883; A61B 8/4444; A61B 8/4455;
A61B 8/4483; A61B 8/4461

See application file for complete search history.

FIG. 1 is a perspective view of the ultrasound device and holder in combination embodying the new design; FIG. 2 is a right side view of the design, the left side view being a mirror image thereof; FIG. 3 is a top view thereof; FIG. 4 is a bottom view thereof; FIG. 5 is a rear view thereof; and, FIG. 6 is a front view thereof.

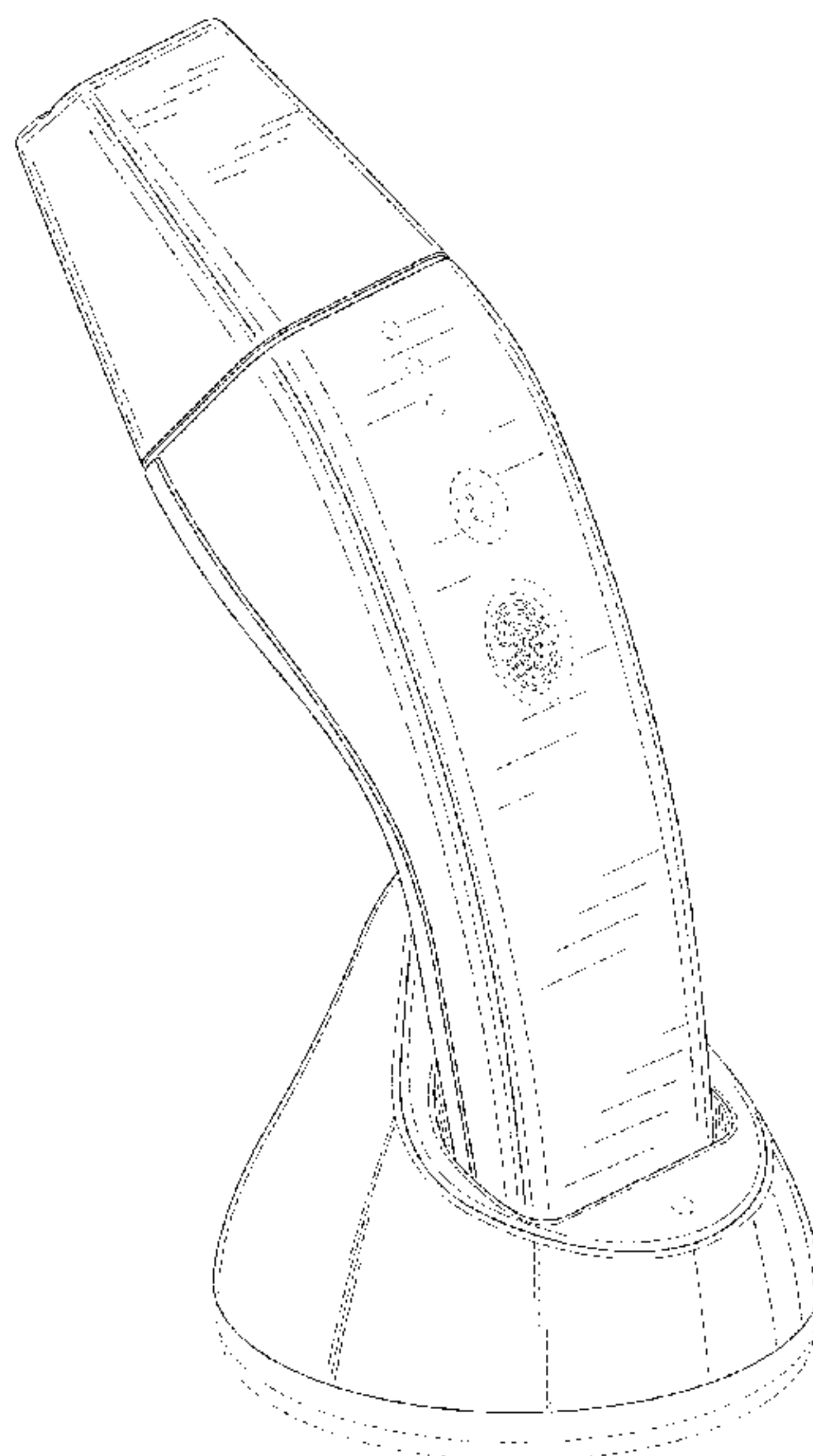
The portions shown in broken lines in FIGS. 1-6 are shown for environmental purposes and form no part of the claimed design. The broken lines immediately adjacent to solid lines form the boundary of the claimed design.

(56) **References Cited**

U.S. PATENT DOCUMENTS

D226,583 S	3/1973	Welch
D303,706 S	9/1989	King
D323,034 S	1/1992	Reinstein
D343,801 S	2/1994	Burns et al.

1 Claim, 5 Drawing Sheets



(56)

References Cited

U.S. PATENT DOCUMENTS

D702,358	S	4/2014	Shinohara et al.	
D703,337	S	4/2014	Fuhr et al.	
D704,341	S *	5/2014	Ryu	D24/187
D705,939	S	5/2014	Bradley et al.	
D706,433	S	6/2014	Fuhr et al.	
D712,043	S	8/2014	Sliger	
D742,530	S	11/2015	Pippel et al.	
D742,531	S	11/2015	Pippel et al.	
D750,784	S *	3/2016	Anderson	D24/158
D765,867	S *	9/2016	Pippel	D24/187
D765,868	S *	9/2016	Pippel	D24/187
D767,770	S *	9/2016	Purfey	D24/186
2008/0064991	A1	3/2008	Suorsa	
2008/0249406	A1	10/2008	Naruse	
2008/0255456	A1	10/2008	Kye	
2013/0109950	A1 *	5/2013	Herzog	A61B 8/0825 600/407
2013/0158363	A1 *	6/2013	Zoghbi	A61B 5/01 600/301
2015/0320402	A1	11/2015	Ryu	
2015/0366538	A1 *	12/2015	McKenna	A61B 8/4433 600/437

* cited by examiner

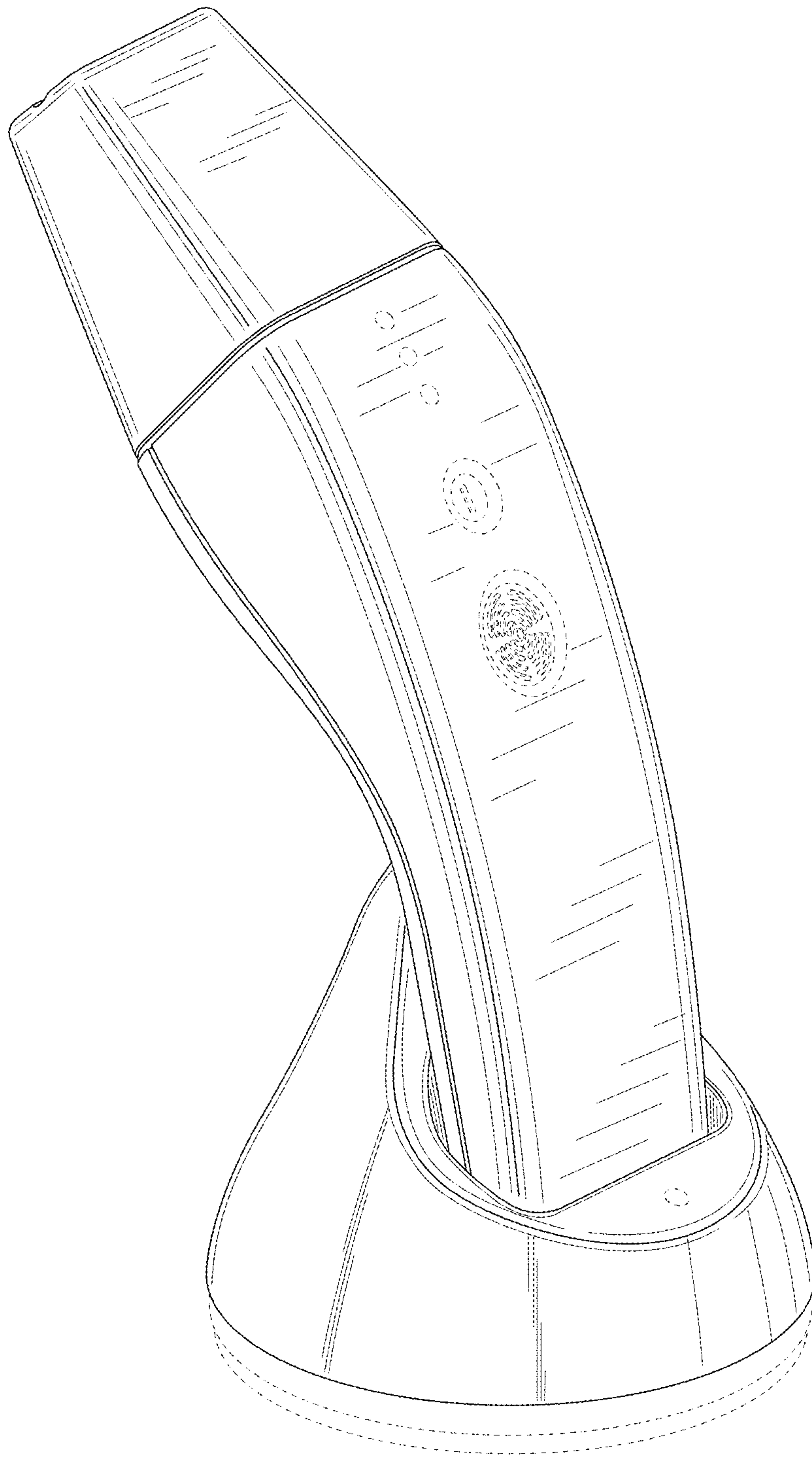


Fig. 1

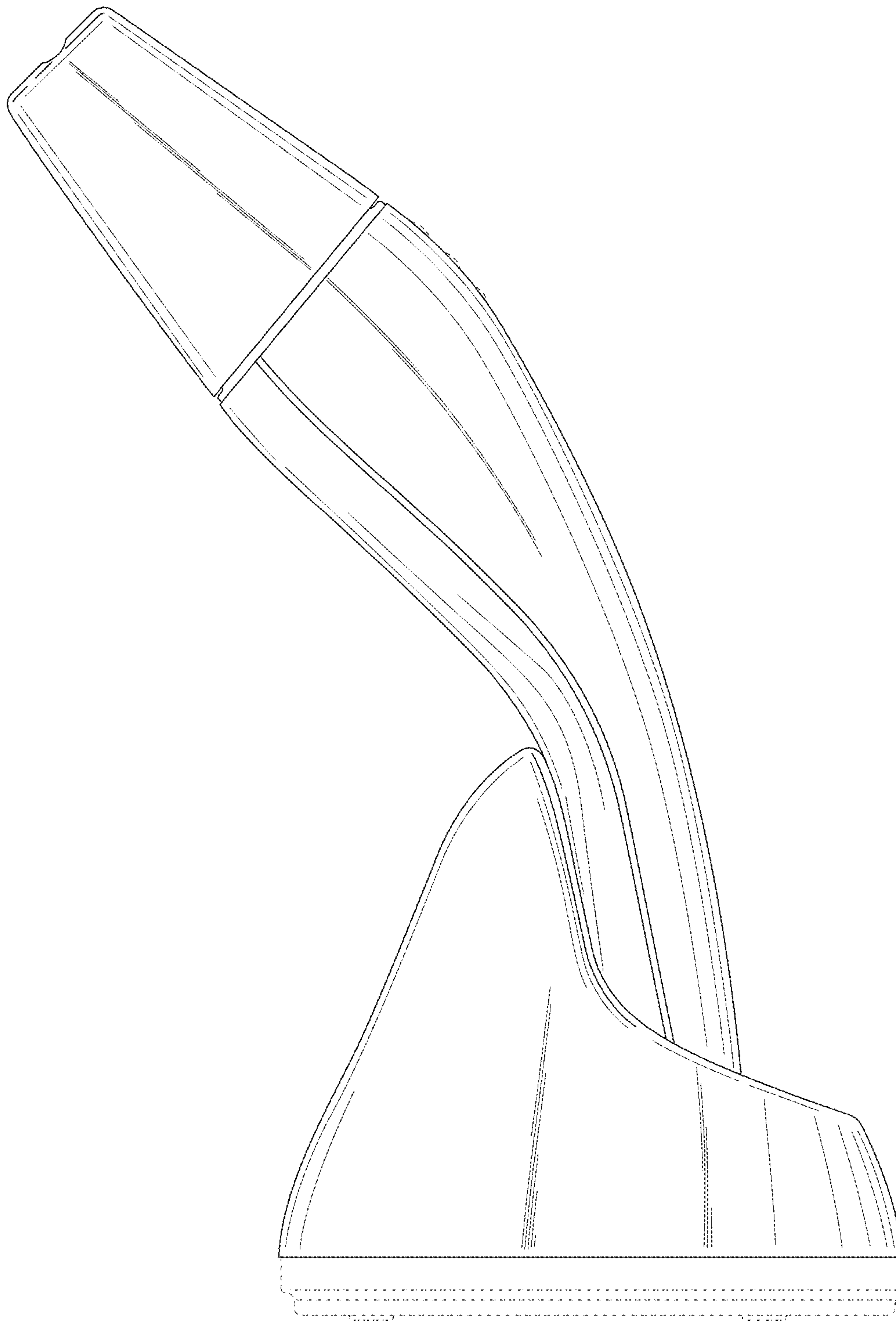


Fig. 2

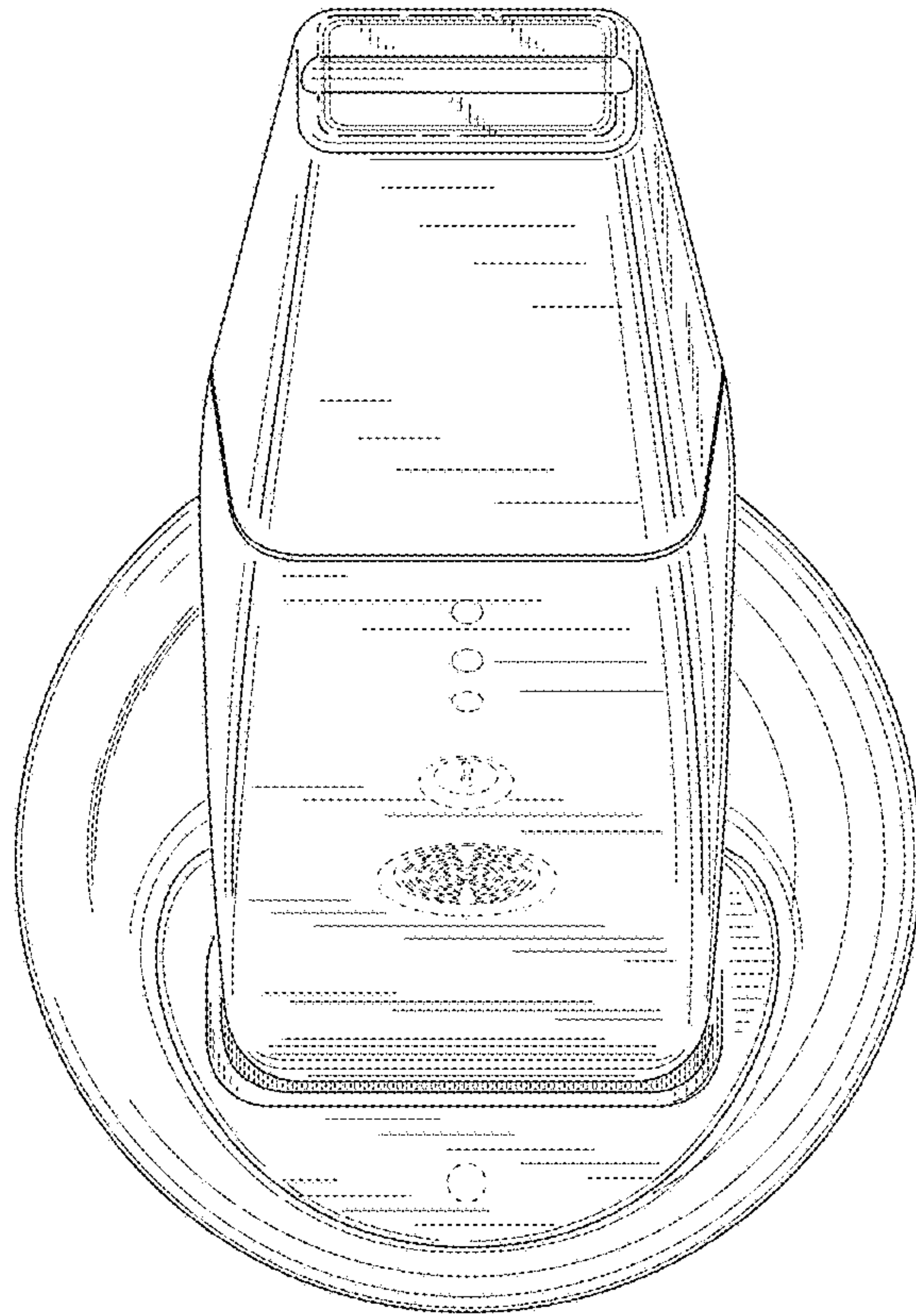


Fig. 3

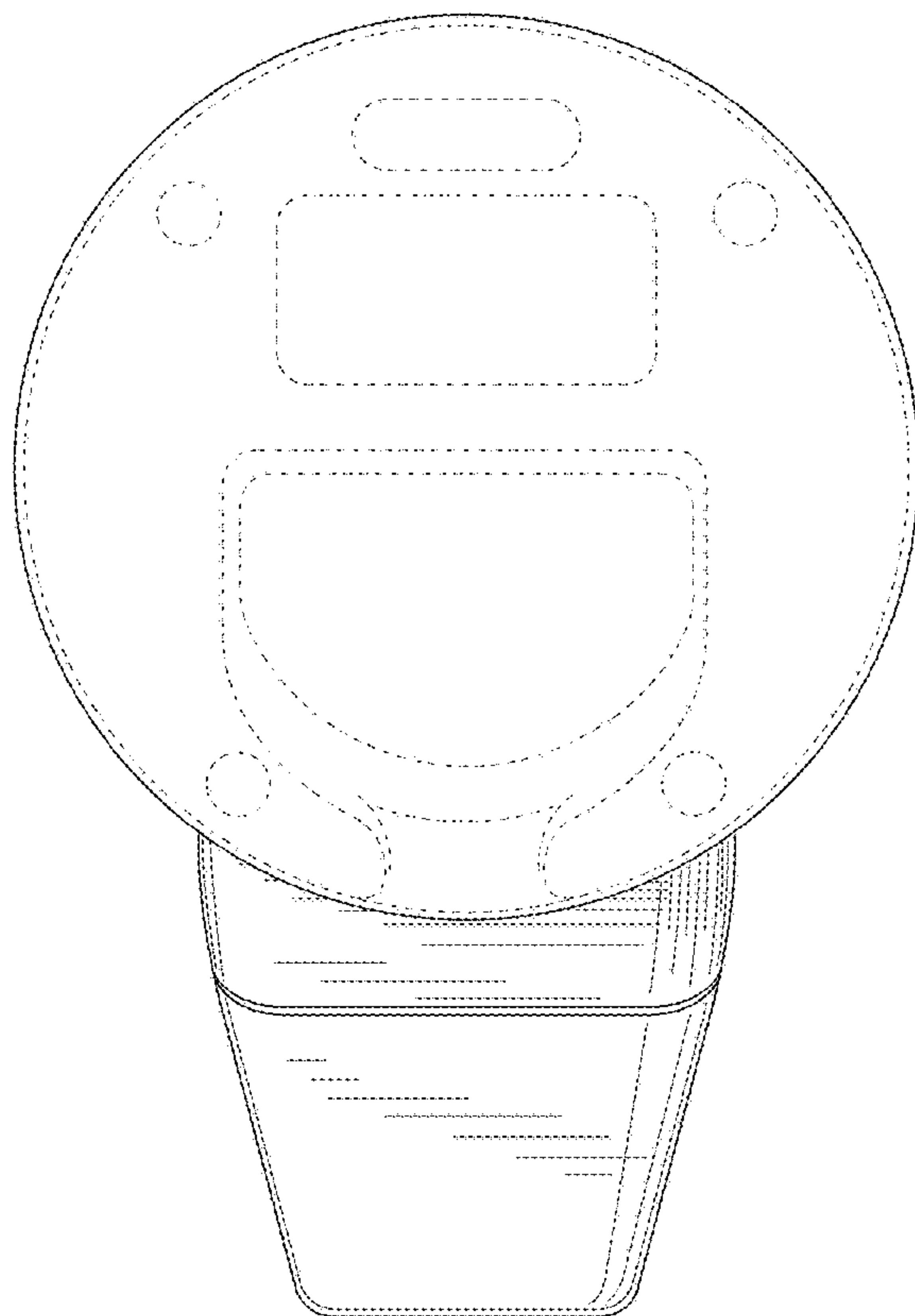


Fig. 4

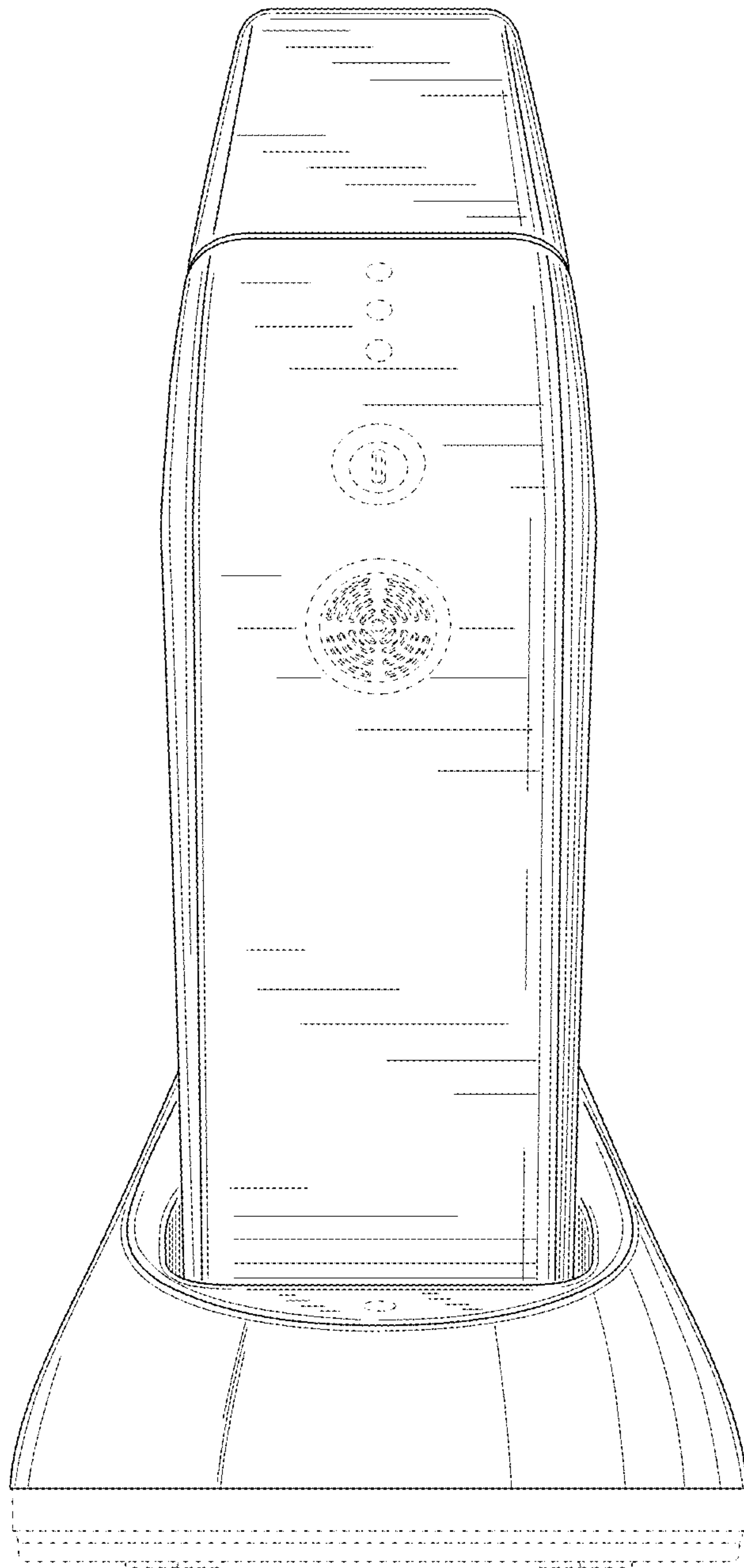


Fig. 5

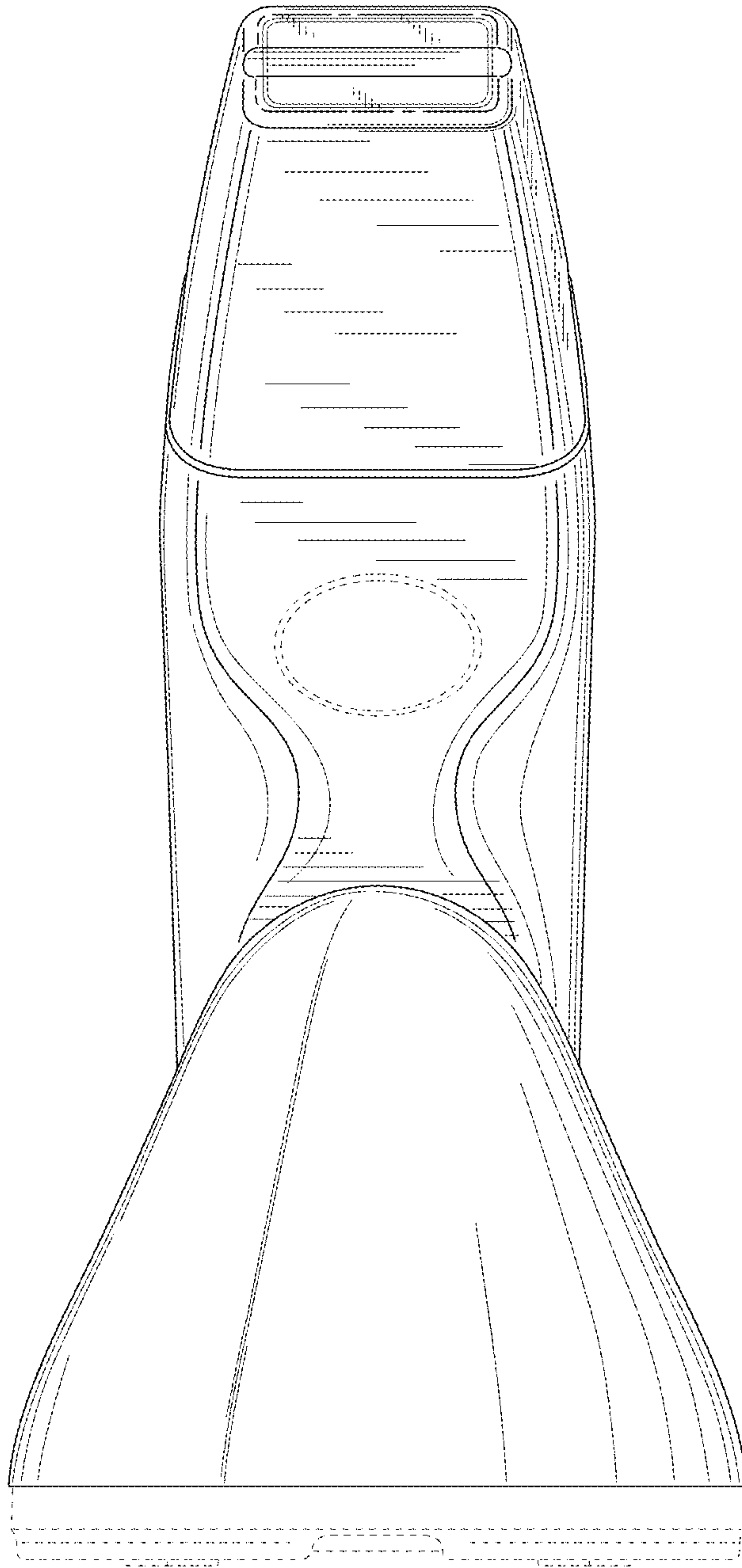


Fig. 6