



US00D782684S

(12) **United States Design Patent**  
**Pippel et al.**

(10) **Patent No.:** **US D782,684 S**

(45) **Date of Patent:** **\*\* Mar. 28, 2017**

- (54) **ULTRASOUND DEVICE**
- (71) Applicant: **Access Business Group International LLC**, Ada, MI (US)
- (72) Inventors: **Bradley J. Pippel**, Grandville, MI (US); **Sean T. Eurich**, Holland, MI (US); **Joe D. Doucet**, Brooklyn, NY (US); **Michael E. Miles**, Grand Rapids, MI (US)
- (73) Assignee: **Access Business Group International LLC**, Ada, MI (US)

D390,959 S	2/1998	Mesaros et al.	
6,746,402 B2	6/2004	Ustuner	
D533,514 S *	12/2006	Hidalgo .....	D13/168
D550,365 S	9/2007	Kitayama	
D572,206 S *	7/2008	Ikeda .....	D13/168
D636,087 S	4/2011	Loew et al.	
D636,088 S	4/2011	Loew et al.	
D687,153 S	7/2013	Torzilli	
D690,420 S	9/2013	Chinowsky et al.	
D702,358 S	4/2014	Shinohara et al.	
D703,337 S	4/2014	Fuhr et al.	
D704,341 S *	5/2014	Ryu .....	D24/187
D706,433 S	6/2014	Fuhr et al.	
D742,530 S	11/2015	Pippel et al.	
D742,531 S	11/2015	Pippel et al.	
D750,784 S *	3/2016	Anderson .....	D24/158
D765,867 S *	9/2016	Pippel .....	D24/187

(\*\*) Term: **15 Years**

(21) Appl. No.: **29/556,817**

(22) Filed: **Mar. 3, 2016**

(51) **LOC (10) Cl.** ..... **24-01**

(52) **U.S. Cl.**  
USPC ..... **D24/186; D24/187**

(58) **Field of Classification Search**  
USPC ..... D24/158-161, 185, 186, 107, 187  
CPC ... A61B 8/4405; A61B 8/4411; A61B 8/4427;  
A61B 8/462; A61B 8/0437; A61B  
8/0883; A61B 8/4444; A61B 8/4455;  
A61B 8/4483; A61B 8/4461

See application file for complete search history.

(56) **References Cited**

**U.S. PATENT DOCUMENTS**

D226,583 S	3/1973	Welch
D303,706 S	9/1989	King
D323,034 S	1/1992	Reinstein
D343,801 S	2/1994	Burns et al.
5,482,047 A	1/1996	Nordgren et al.
D369,307 S	4/1996	Imling et al.
D389,919 S	1/1998	Ninomiya

(Continued)

*Primary Examiner* — Anhdao Doan

(74) *Attorney, Agent, or Firm* — Warner Norcross and Judd LLP

(57) **CLAIM**

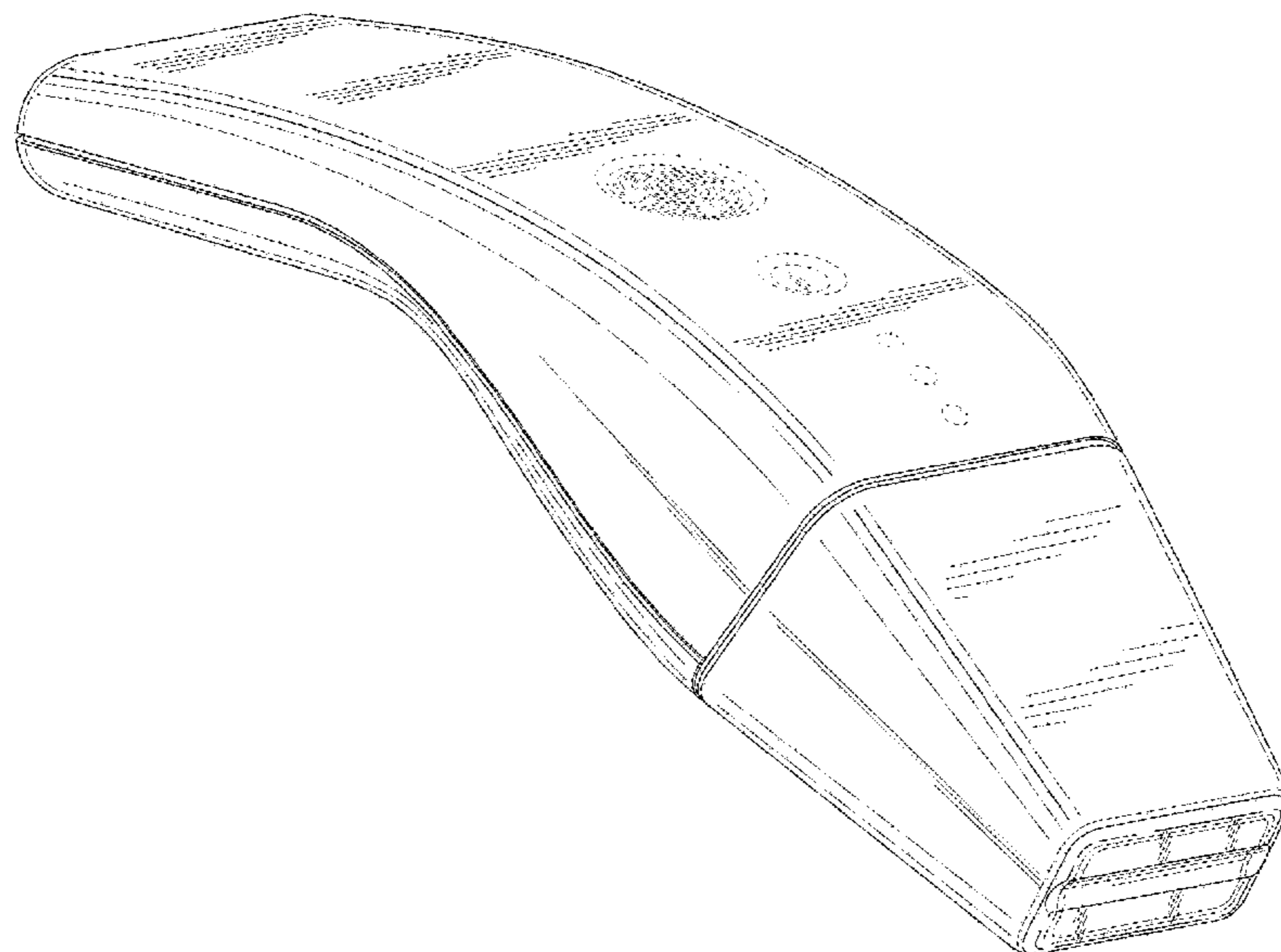
The ornamental design for an ultrasound device, as shown and described.

**DESCRIPTION**

FIG. 1 is a perspective view of the ultrasound device embodying the new design;  
FIG. 2 is a right side view of the design, the left side view being a mirror image thereof;  
FIG. 3 is a front view thereof;  
FIG. 4 is a rear view thereof;  
FIG. 5 is a top view thereof; and,  
FIG. 6 is a bottom view thereof.

The portions shown in broken lines in FIGS. 1-6 are shown for environmental purposes and form no part of the claimed design. The broken lines immediately adjacent to solid lines form the boundary of the claimed design.

**1 Claim, 3 Drawing Sheets**



(56)

**References Cited**

U.S. PATENT DOCUMENTS

D765,868	S	*	9/2016	Pippel	.....	D24/187
D767,770	S	*	9/2016	Purfey	.....	D24/186
2008/0064991	A1		3/2008	Suorsa		
2008/0255456	A1		10/2008	Kye		
2013/0109950	A1	*	5/2013	Herzog	.....	A61B 8/0825 600/407
2013/0158363	A1	*	6/2013	Zoghbi	.....	A61B 5/01 600/301
2015/0320402	A1		11/2015	Ryu		
2015/0366538	A1	*	12/2015	McKenna	.....	A61B 8/4433 600/437

\* cited by examiner

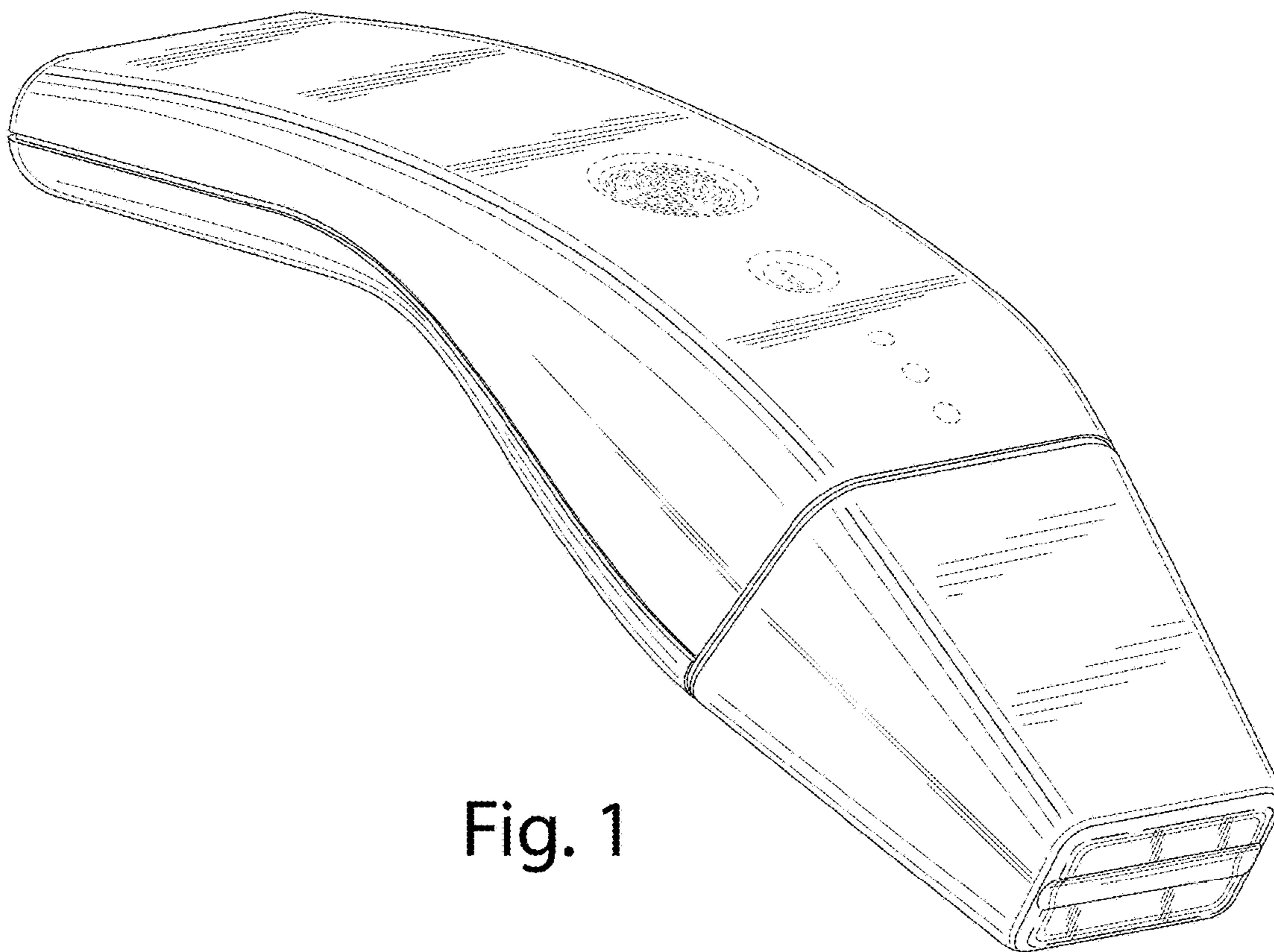


Fig. 1

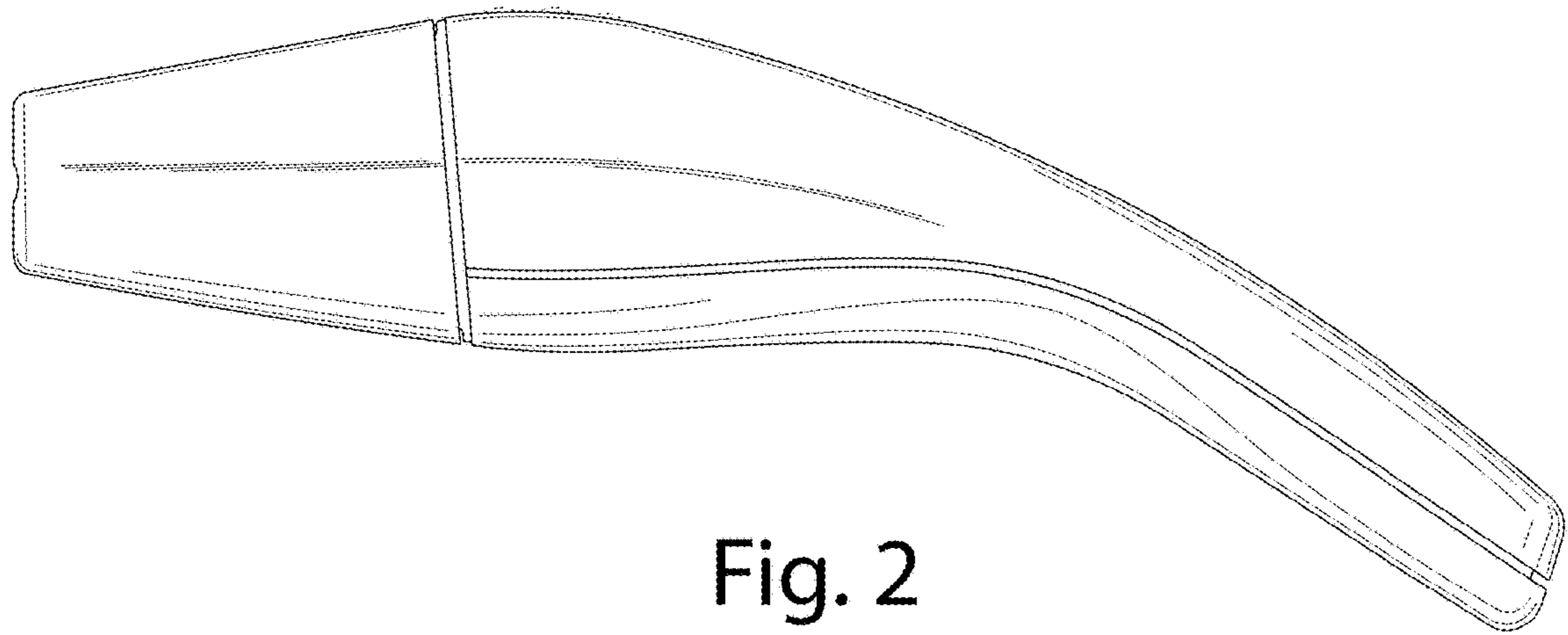


Fig. 2

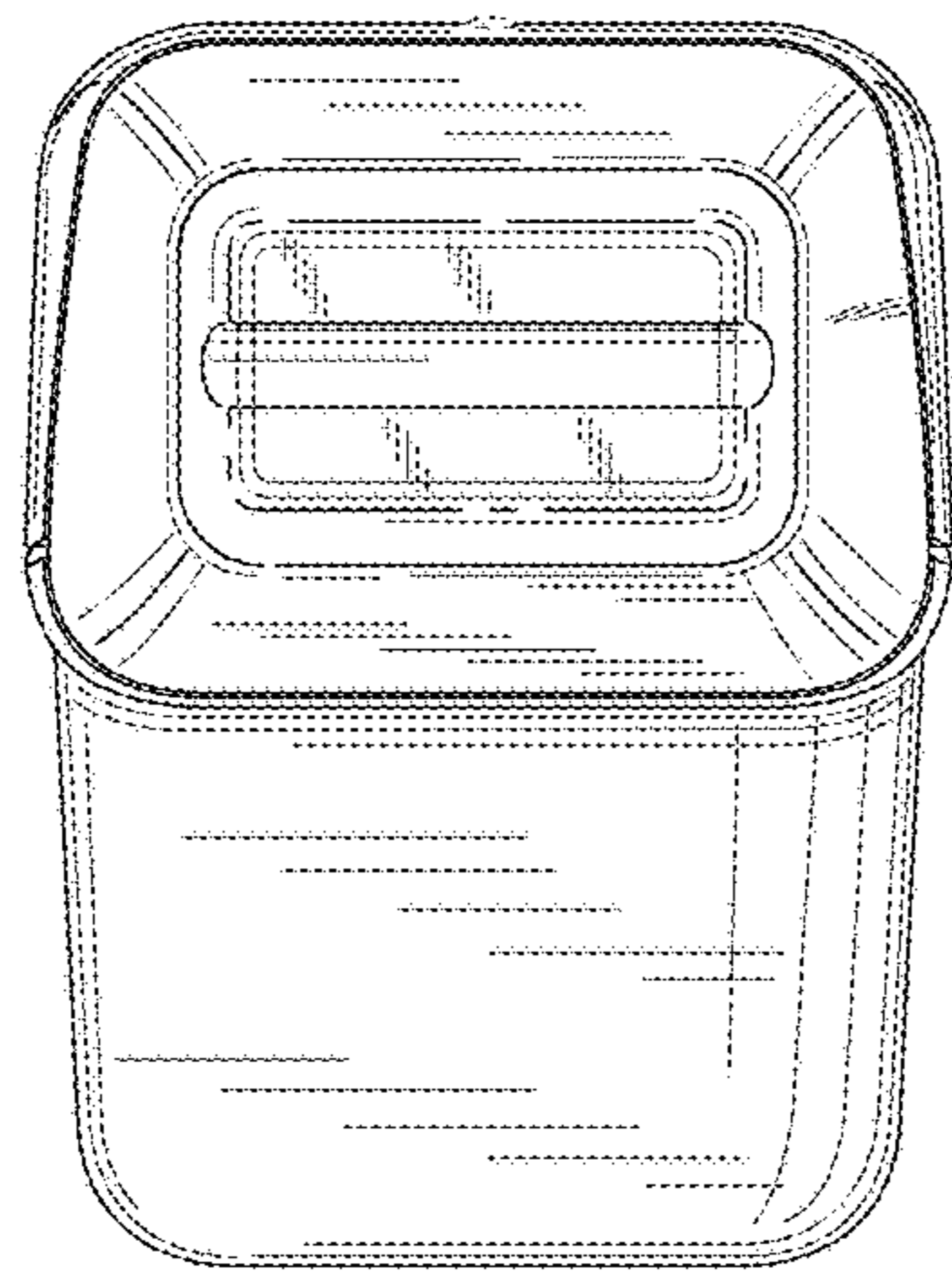


Fig. 3

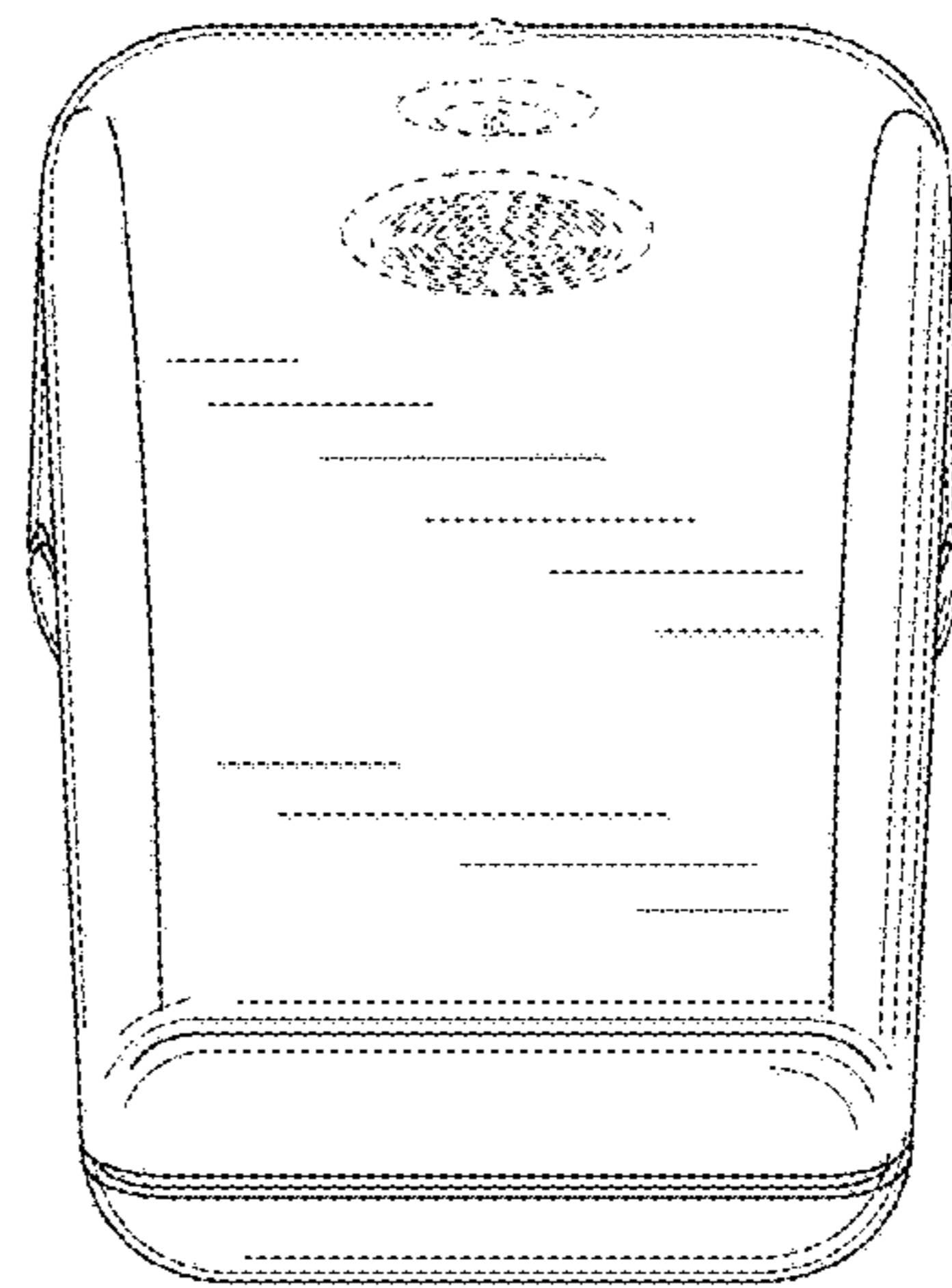


Fig. 4



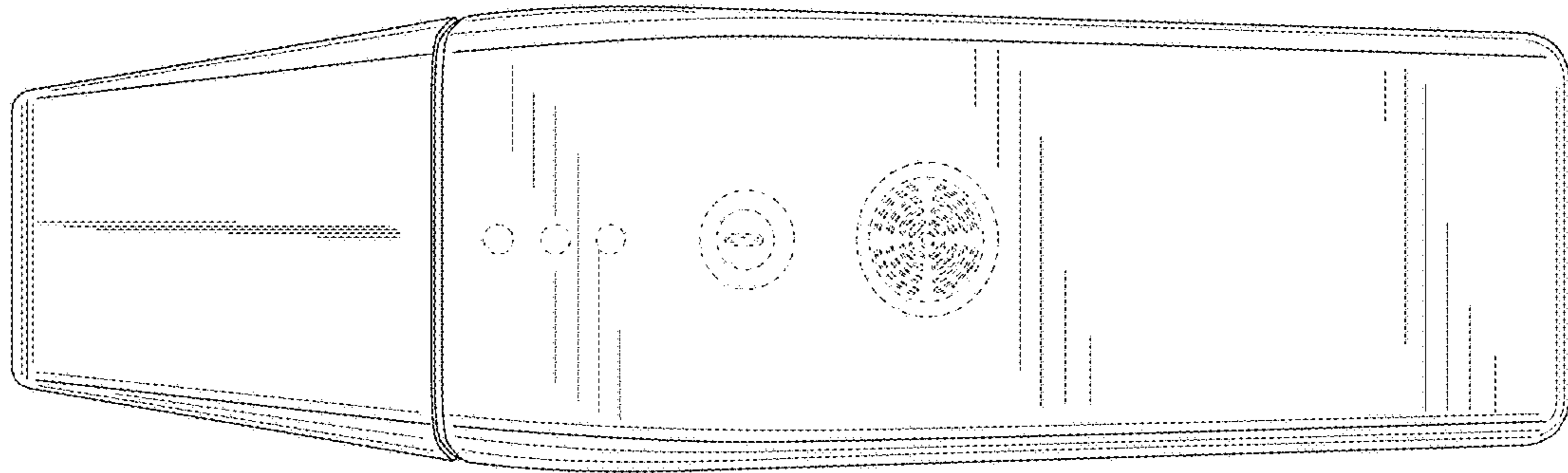


Fig. 5

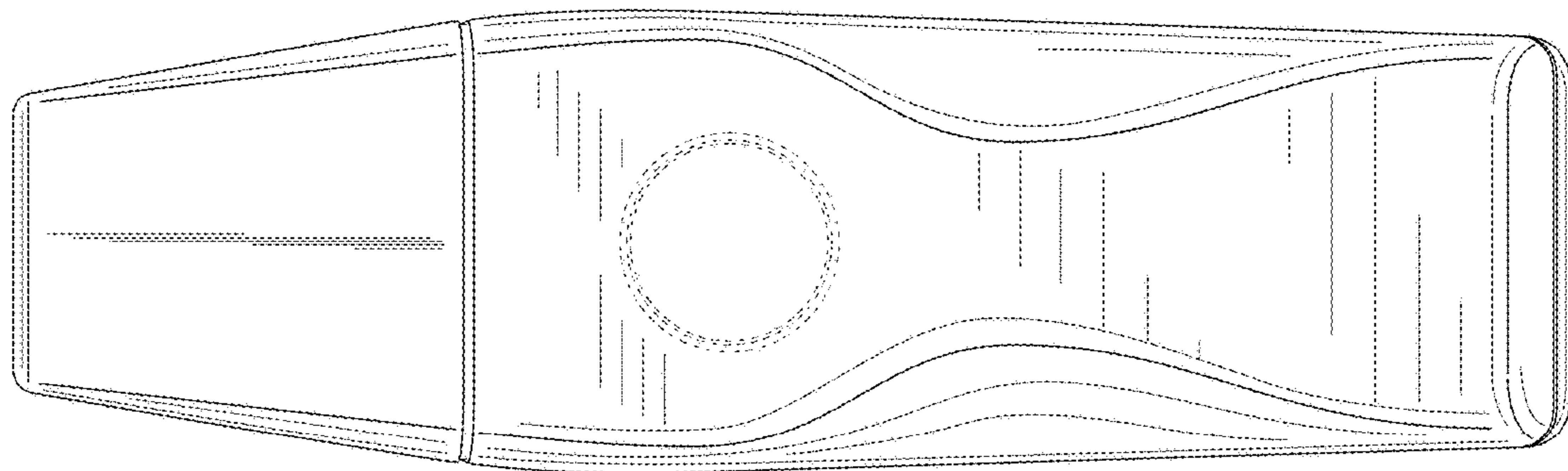


Fig. 6