



US00D782681S

(12) **United States Design Patent** (10) **Patent No.:** **US D782,681 S**  
**Cai et al.** (45) **Date of Patent:** **\*\* Mar. 28, 2017**

(54) **DISPOSABLE POLYMER-STRUCTURED FILTER**

(71) Applicants: **Jianjian Cai**, Dover, MA (US);  
**Xiaogao Liu**, Dover, MA (US)

(72) Inventors: **Jianjian Cai**, Dover, MA (US);  
**Xiaogao Liu**, Dover, MA (US)

(73) Assignee: **CHEMRUS INC.**, Dover, MA (US)

(\*\*) Term: **14 Years**

(21) Appl. No.: **29/511,787**

(22) Filed: **Dec. 13, 2014**

**Related U.S. Application Data**

(63) Continuation-in-part of application No. 12/461,474,  
filed on Aug. 12, 2009, now Pat. No. 8,978,897.

(51) **LOC (10) Cl.** ..... **24-01**

(52) **U.S. Cl.**  
USPC ..... **D24/162; D24/232**

(58) **Field of Classification Search**  
USPC ..... D24/232, 162, 231, 224, 121, 108;  
D7/700; D23/207, 209  
CPC ..... B01D 23/28; B01D 29/085; B01D 29/01;  
B01D 29/05; B01D 61/18; B01D 61/14;  
B01D 2201/18; B01D 2201/182; B01D  
2201/30; B01D 2201/309; B01L 3/56;  
B01L 2300/0681; B01L 2300/0832  
See application file for complete search history.

(56) **References Cited**

**U.S. PATENT DOCUMENTS**

65,515 A 6/1867 Spencer  
1,487,824 A \* 3/1924 Vincent ..... B67C 11/02  
D7/700

1,501,073 A \* 7/1924 Stead ..... B01D 23/28  
210/478  
1,727,195 A \* 9/1929 Black ..... B67C 11/02  
D7/700  
2,449,238 A 9/1948 Lightfoot, Jr.  
3,295,686 A 1/1967 Krueger  
3,437,211 A 4/1969 Lindsey  
3,463,322 A 8/1969 Gerarde  
3,788,483 A 1/1974 Conway  
3,838,978 A 10/1974 Eddleman et al.  
4,251,366 A 2/1981 Simon et al.  
4,301,010 A 11/1981 Eddleman et al.  
4,523,934 A 6/1985 Joshua  
4,678,576 A 7/1987 Leoncavallo  
D310,123 S \* 8/1990 Carlson ..... D24/162  
5,043,082 A \* 8/1991 Hermann, Jr. .... B01D 61/18  
210/451  
5,308,483 A 5/1994 Sklar et al.  
5,695,639 A 12/1997 Johnson  
5,948,246 A 9/1999 Zuk, Jr.  
6,443,314 B2 9/2002 Shiraiwa et al.

(Continued)

**FOREIGN PATENT DOCUMENTS**

EP 321064 6/1989  
EP 0 815 915 7/1998

(Continued)

*Primary Examiner* — Wan Laymon

(74) *Attorney, Agent, or Firm* — Steptoe & Johnson LLP

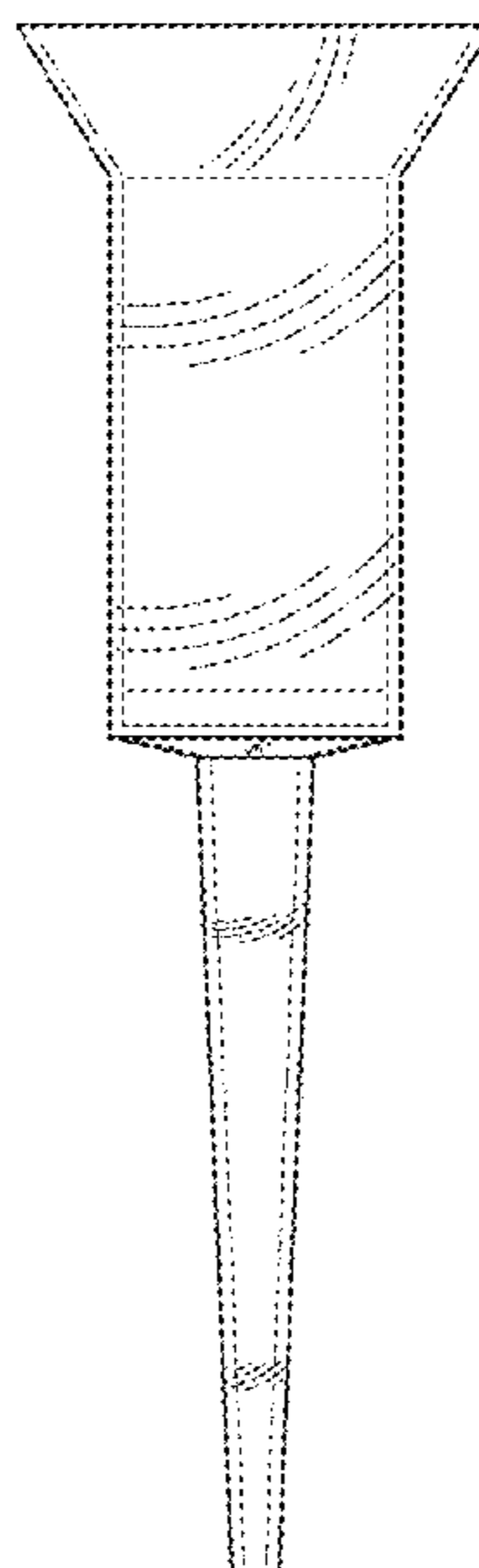
(57) **CLAIM**

The ornamental design for a disposable polymer-structured filter, as shown and described.

**DESCRIPTION**

FIG. 1 is a side view of a disposable polymer-structured filter;  
FIG. 2 is a top view thereof; and,  
FIG. 3 is a bottom view thereof.

**1 Claim, 2 Drawing Sheets**



(56)

**References Cited**

U.S. PATENT DOCUMENTS

|              |      |         |                    |                       |
|--------------|------|---------|--------------------|-----------------------|
| 6,623,631    | B1   | 9/2003  | Graus et al.       |                       |
| 6,719,896    | B1 * | 4/2004  | Clark .....        | B01D 61/18<br>210/247 |
| 6,770,203    | B2   | 8/2004  | Leoncavallo et al. |                       |
| 6,776,294    | B2   | 8/2004  | Lemonnier          |                       |
| 7,798,333    | B2   | 9/2010  | Zuk, Jr.           |                       |
| 2007/0144959 | A1   | 6/2007  | Zuk, Jr.           |                       |
| 2014/0291234 | A1 * | 10/2014 | Chi .....          | B01L 3/56<br>210/406  |
| 2015/0190739 | A1 * | 7/2015  | Cai .....          | B01L 3/56<br>422/534  |

FOREIGN PATENT DOCUMENTS

|    |                |        |
|----|----------------|--------|
| WO | WO 95/04585    | 2/1995 |
| WO | WO 2007/028157 | 3/2007 |

\* cited by examiner

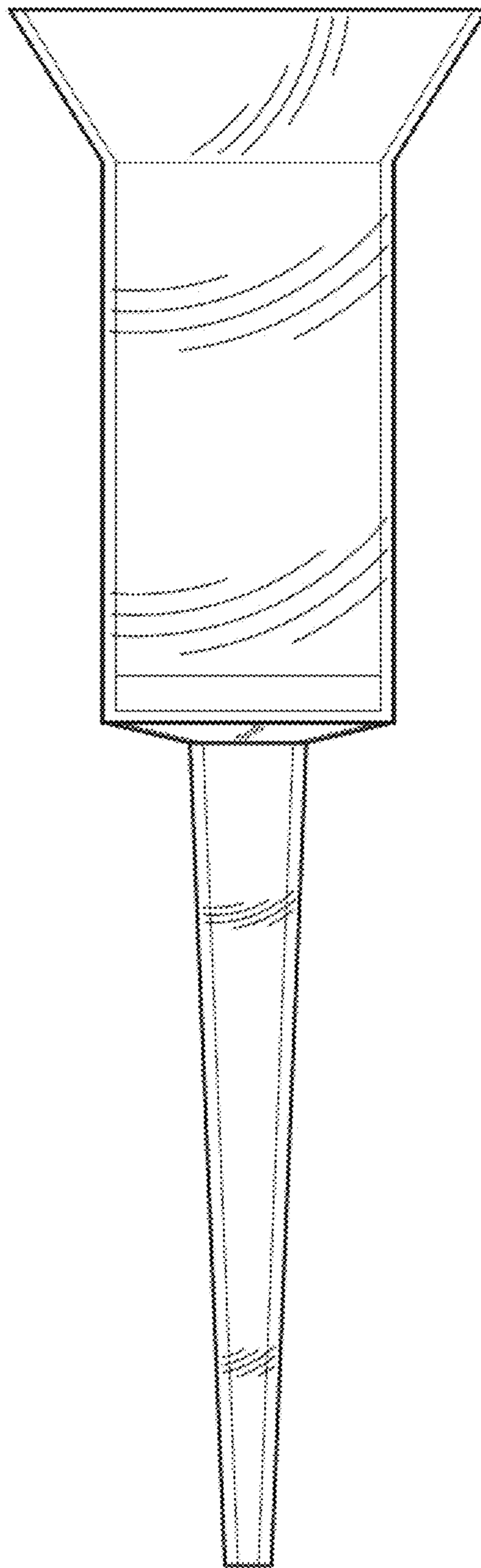


FIG. 1

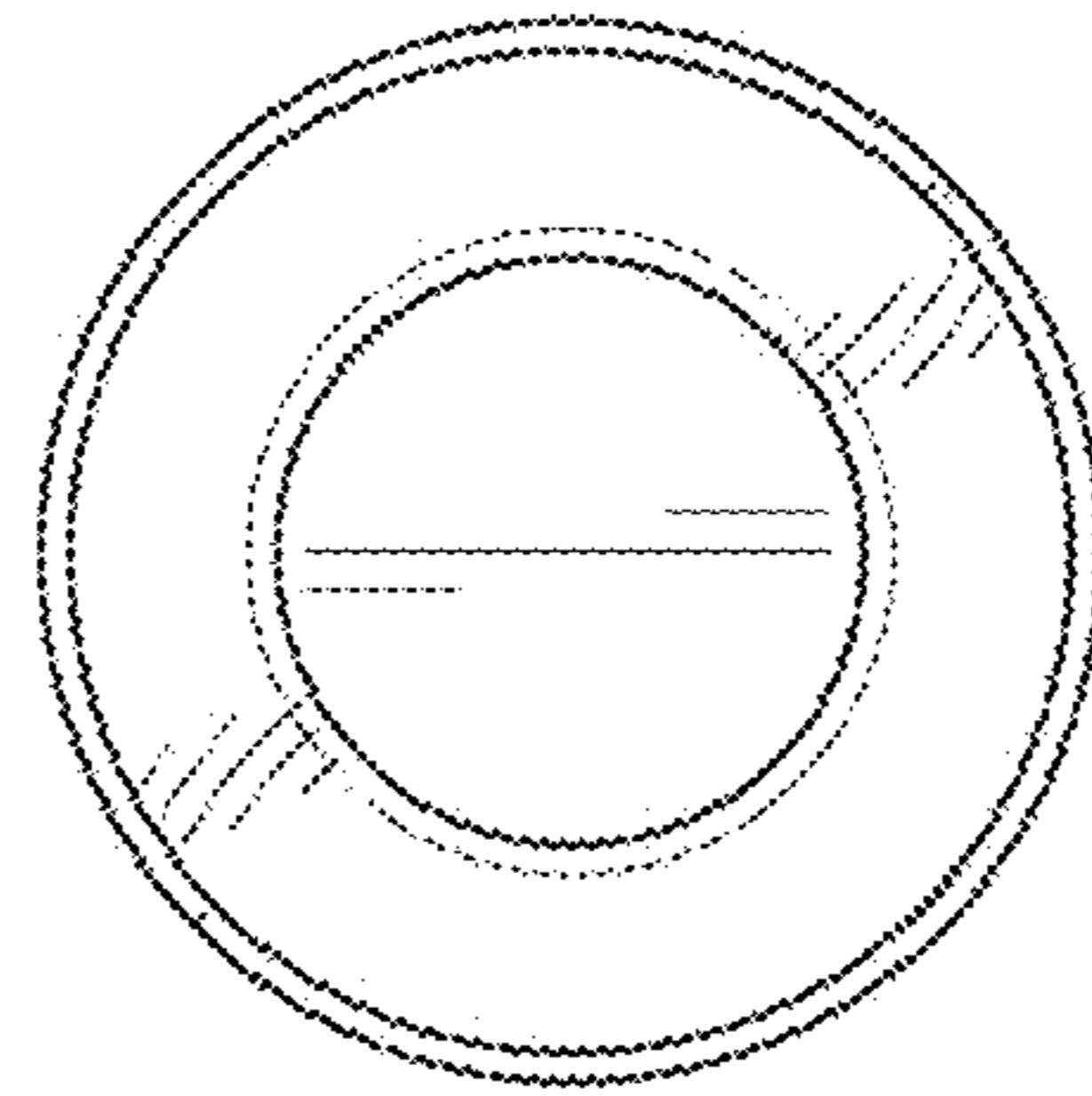


FIG. 2

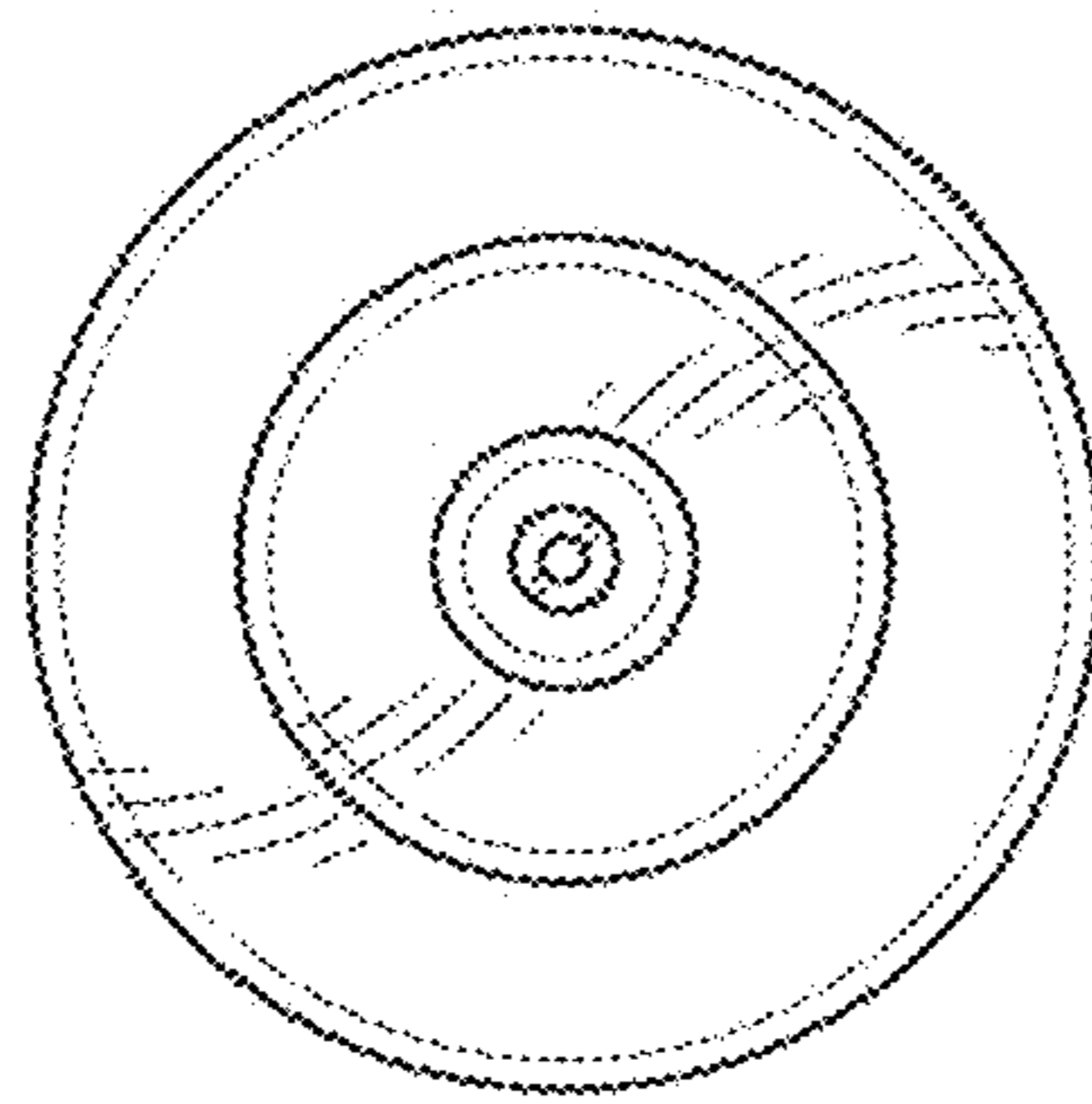


FIG. 3