



US00D782679S

(12) **United States Design Patent**
Taszreak et al.

(10) **Patent No.:** **US D782,679 S**

(45) **Date of Patent:** **** Mar. 28, 2017**

(54) **PROSTHETIC TRAINER FOOT**

(71) Applicant: **College Park Industries, Inc.**, Warren, MI (US)

(72) Inventors: **Aaron Taszreak**, China, MI (US);
Kevin L'Heureux, Southgate, MI (US)

(73) Assignee: **College Park Industries, Inc.**, Warren, MI (US)

(**) Term: **15 Years**

(21) Appl. No.: **29/530,787**

(22) Filed: **Jun. 19, 2015**

(51) **LOC (10) Cl.** **24-02**

(52) **U.S. Cl.**

USPC **D24/155**

(58) **Field of Classification Search**

USPC D24/155

CPC A61F 2/80; A61F 2/60; A61F 2/76; A61F 2/68; A61F 2/64; A61F 2220/0025; A61F 2220/41; A61F 2002/607; A61F 2002/802; A61F 2002/5007

See application file for complete search history.

(56) **References Cited**

U.S. PATENT DOCUMENTS

7,815,689 B2 * 10/2010 Bedard A61F 2/66
623/24
D633,618 S * 3/2011 Johnson D24/155

D653,759 S * 2/2012 Smith D24/155
D655,009 S * 2/2012 L'Heureux D24/155
D718,861 S * 12/2014 Halldorsson D24/155
2010/0198360 A1 8/2010 Haun

OTHER PUBLICATIONS

The Use Of Stubbies For Bilateral Bove Knee Amputees, Jun. 16, 2015.

* cited by examiner

Primary Examiner — Charles Hanson

(74) *Attorney, Agent, or Firm* — Dinsmore & Shohl LLP

(57) **CLAIM**

The ornamental design for a prosthetic trainer foot, as shown and described.

DESCRIPTION

FIG. 1 is a front perspective view of a prosthetic trainer foot showing our new design;

FIG. 2 is a rear perspective view thereof;

FIG. 3 is a top plan view thereof;

FIG. 4 is a left side view thereof;

FIG. 5 is a right side view thereof;

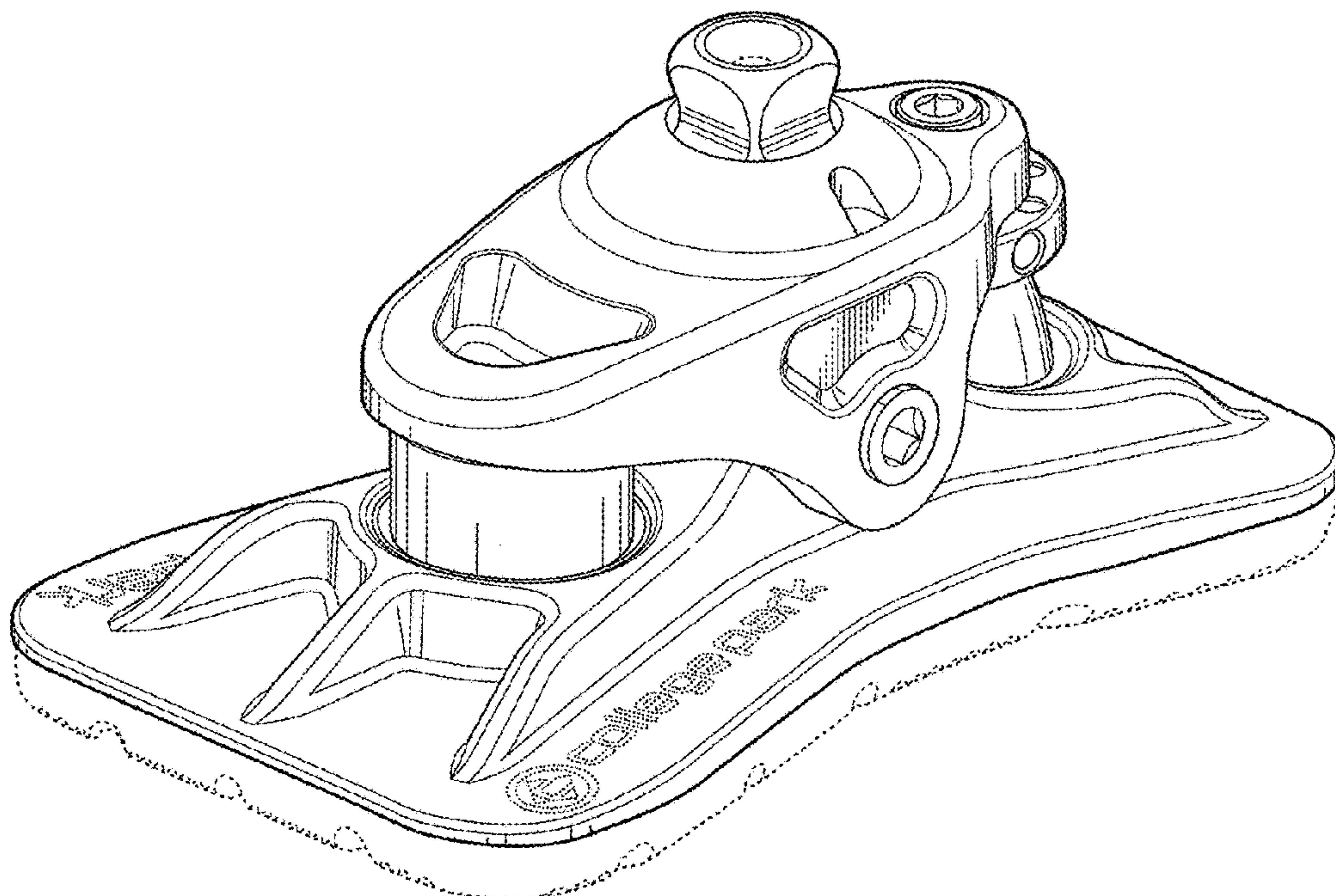
FIG. 6 is a front elevation view thereof;

FIG. 7 is a rear elevation view thereof; and,

FIG. 8 is a bottom plan view thereof.

The broken line showing of the lettering and sole form no part of the claimed design.

1 Claim, 7 Drawing Sheets



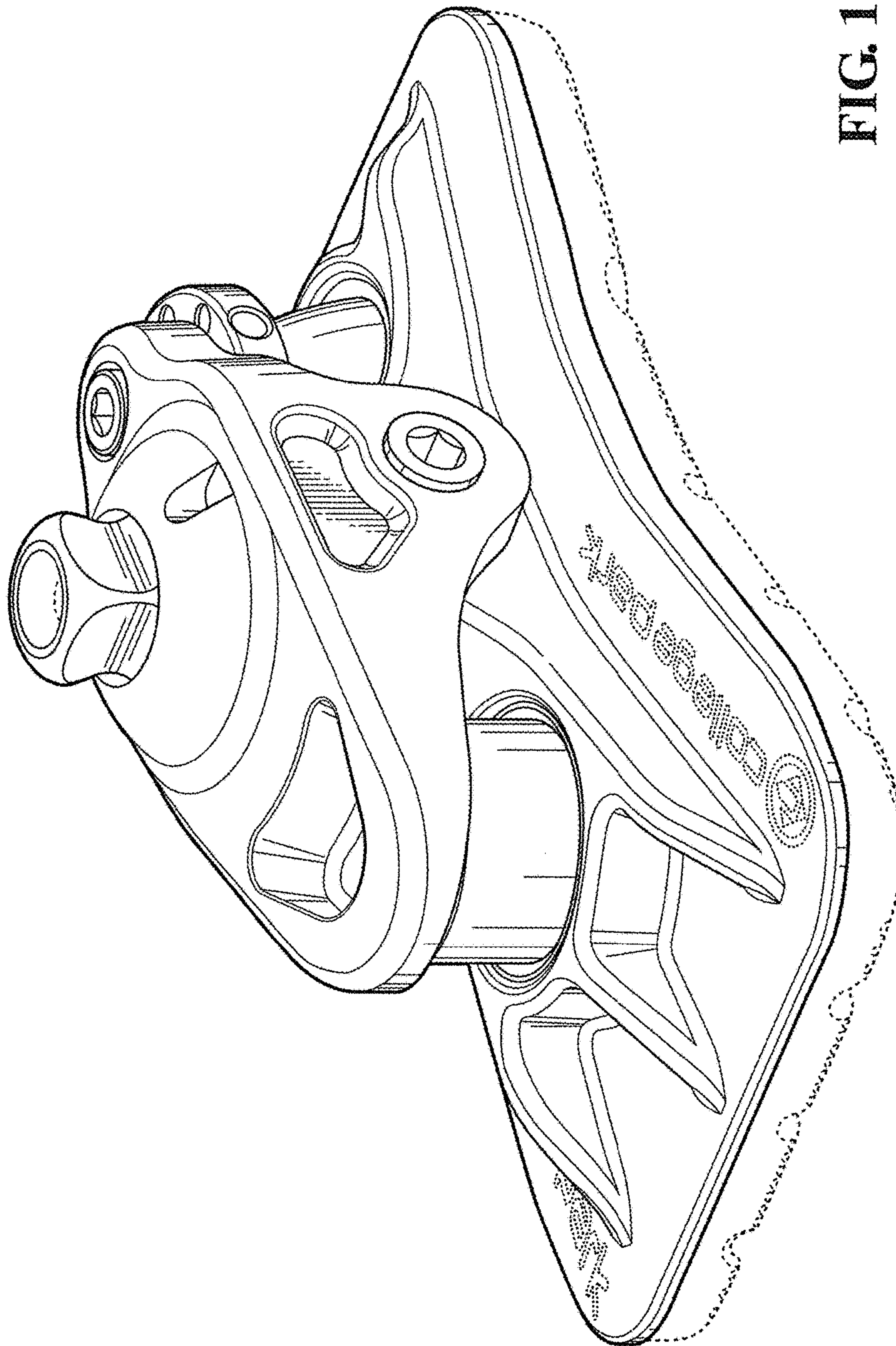


FIG. 1

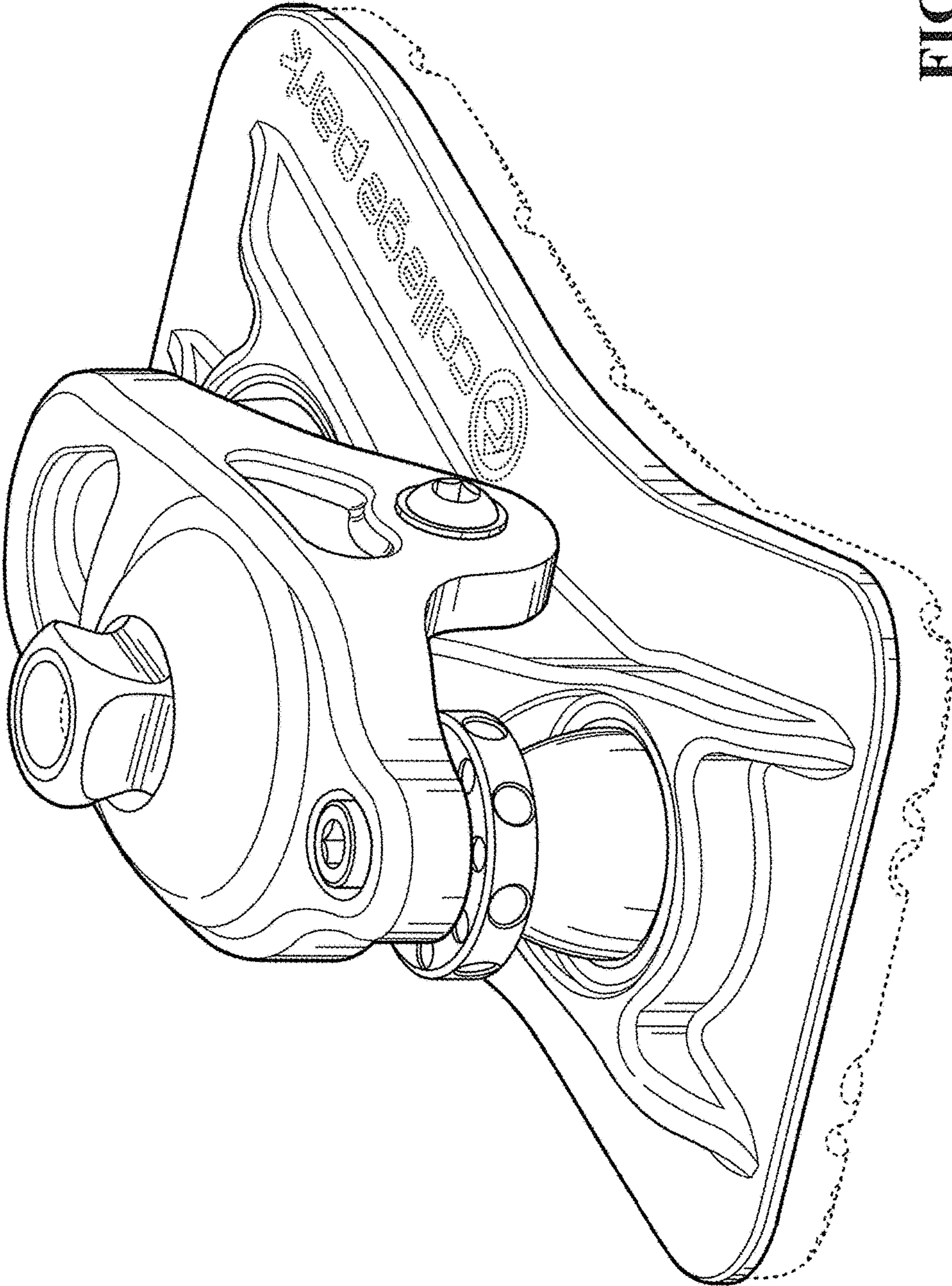


FIG. 2

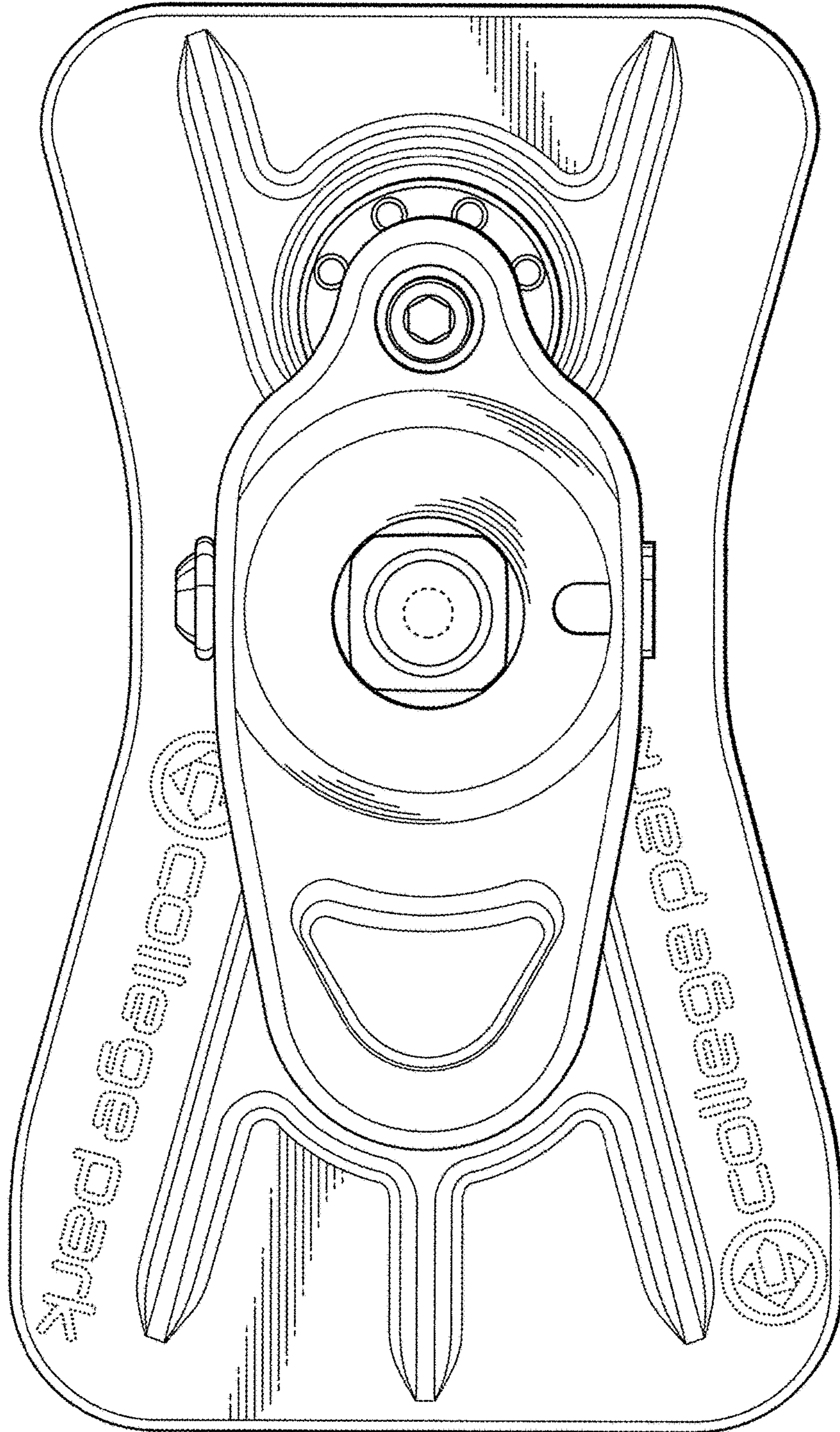


FIG. 3

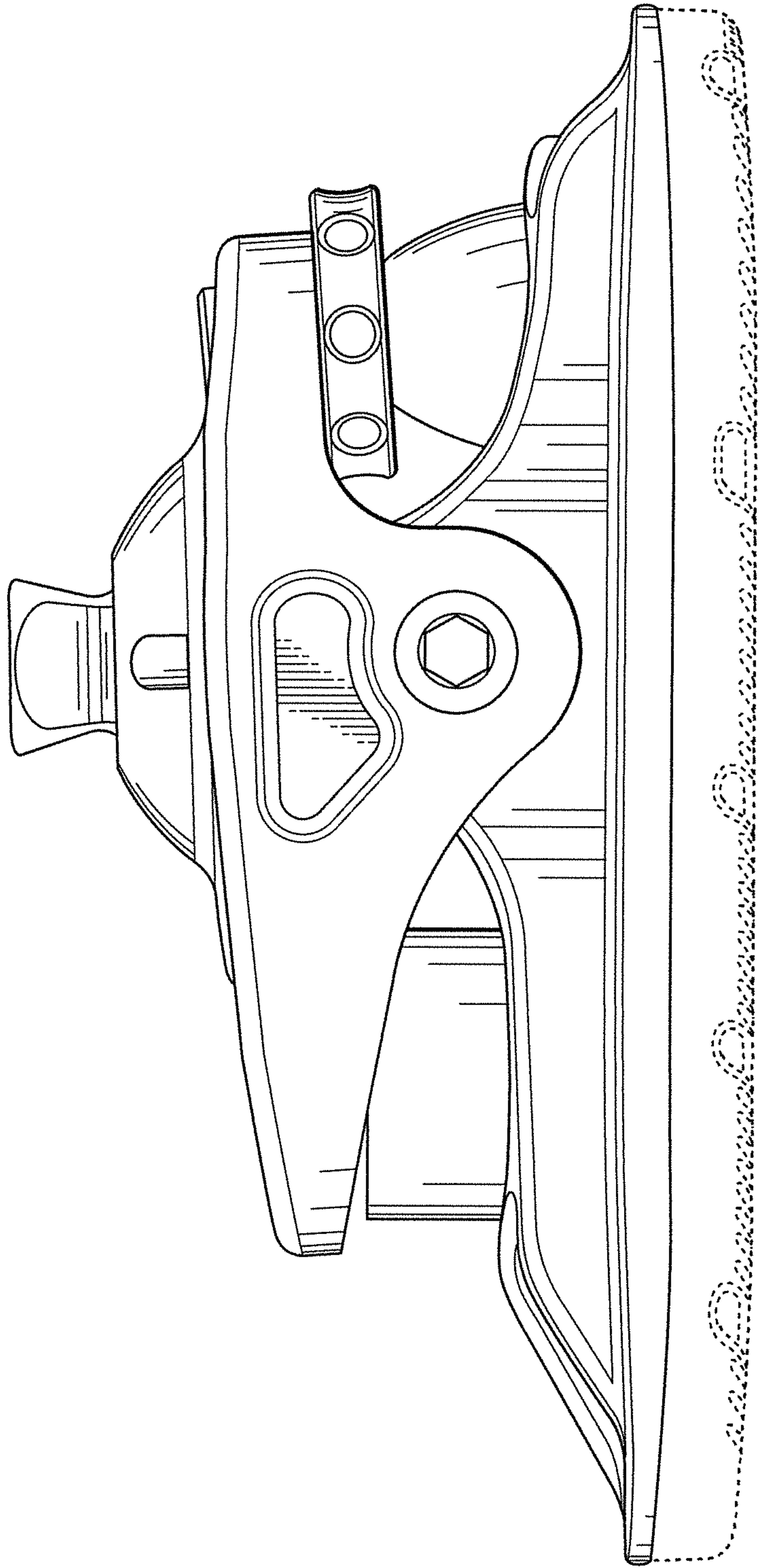


FIG. 4

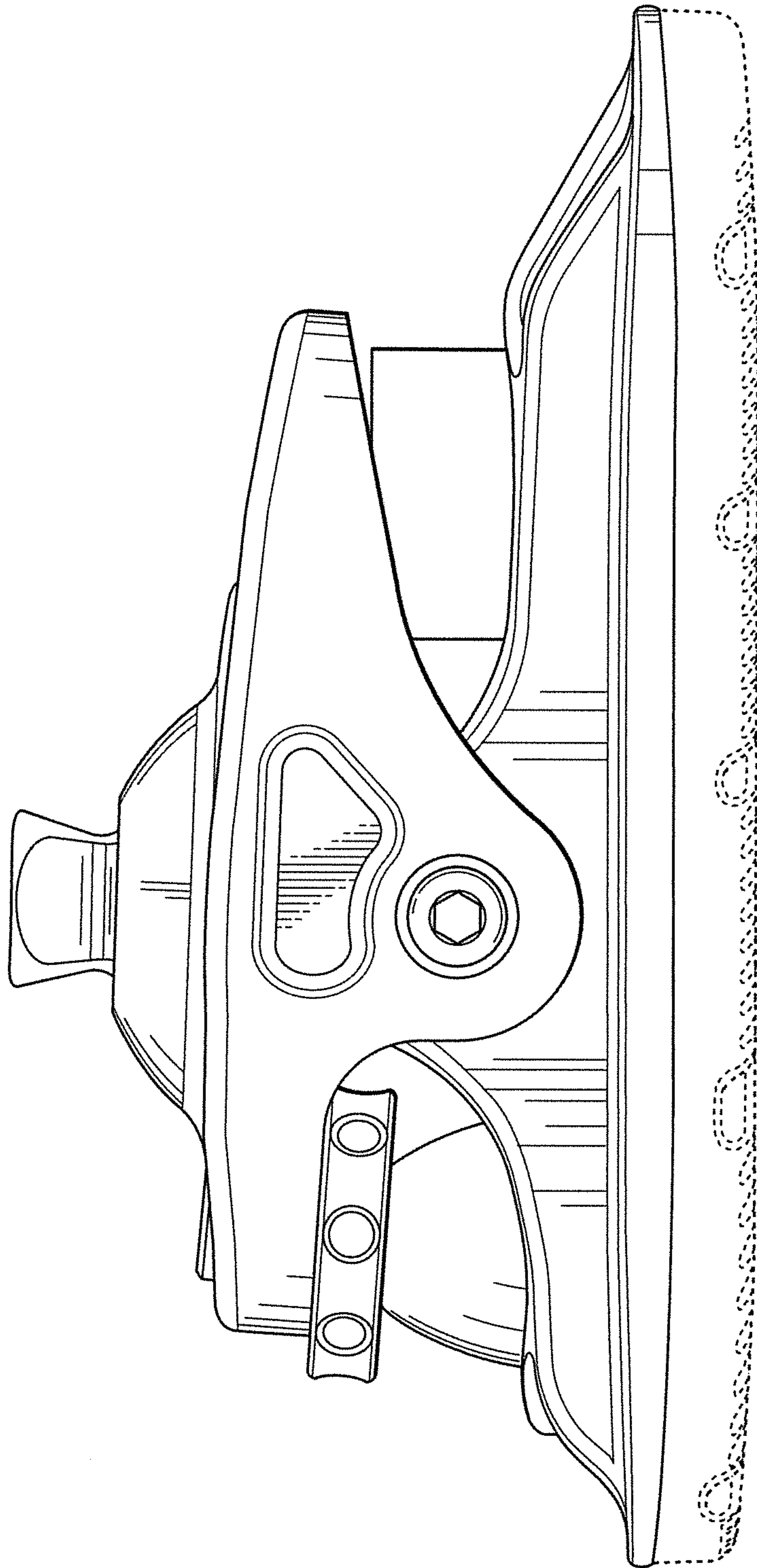


FIG. 5

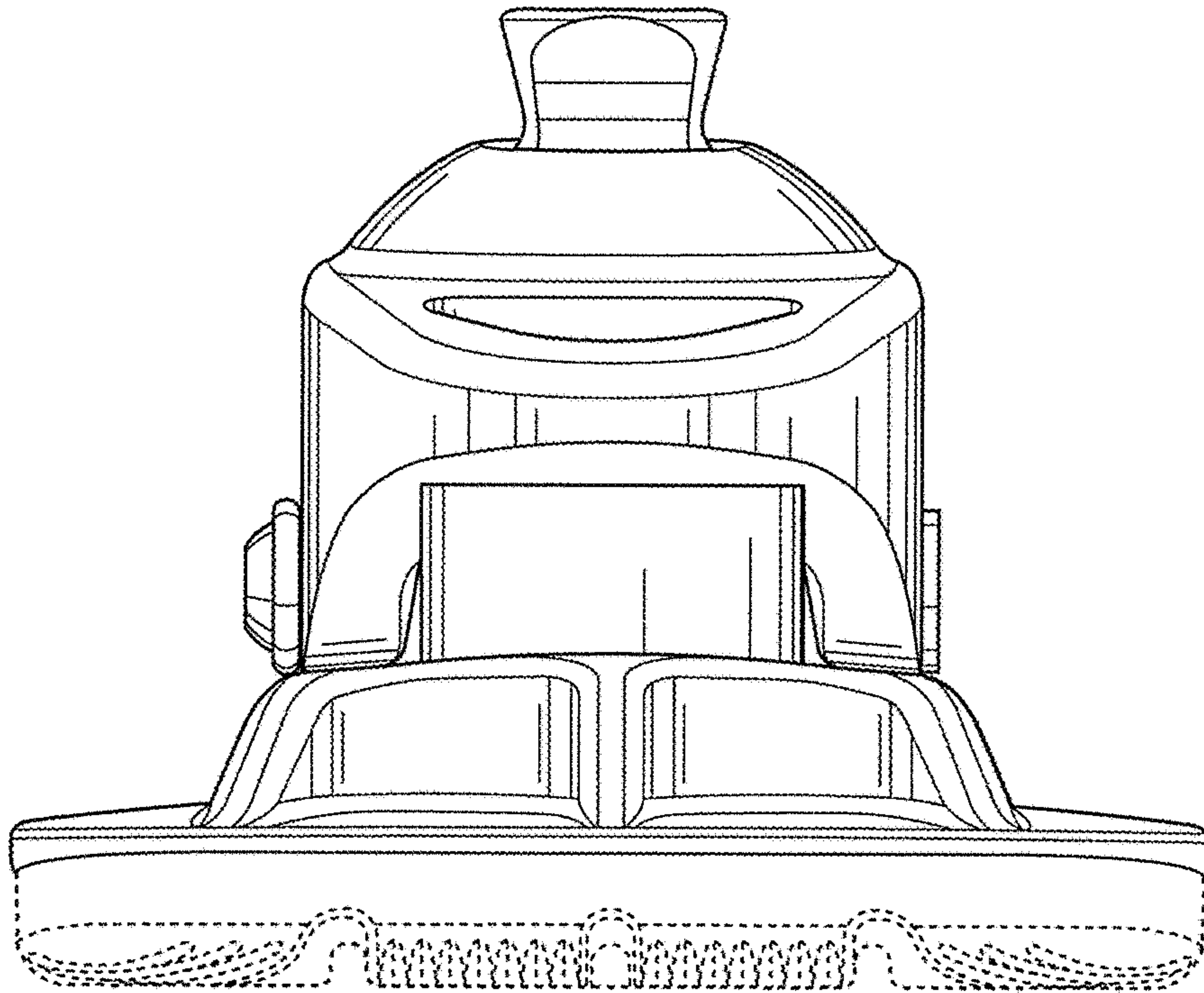


FIG. 6

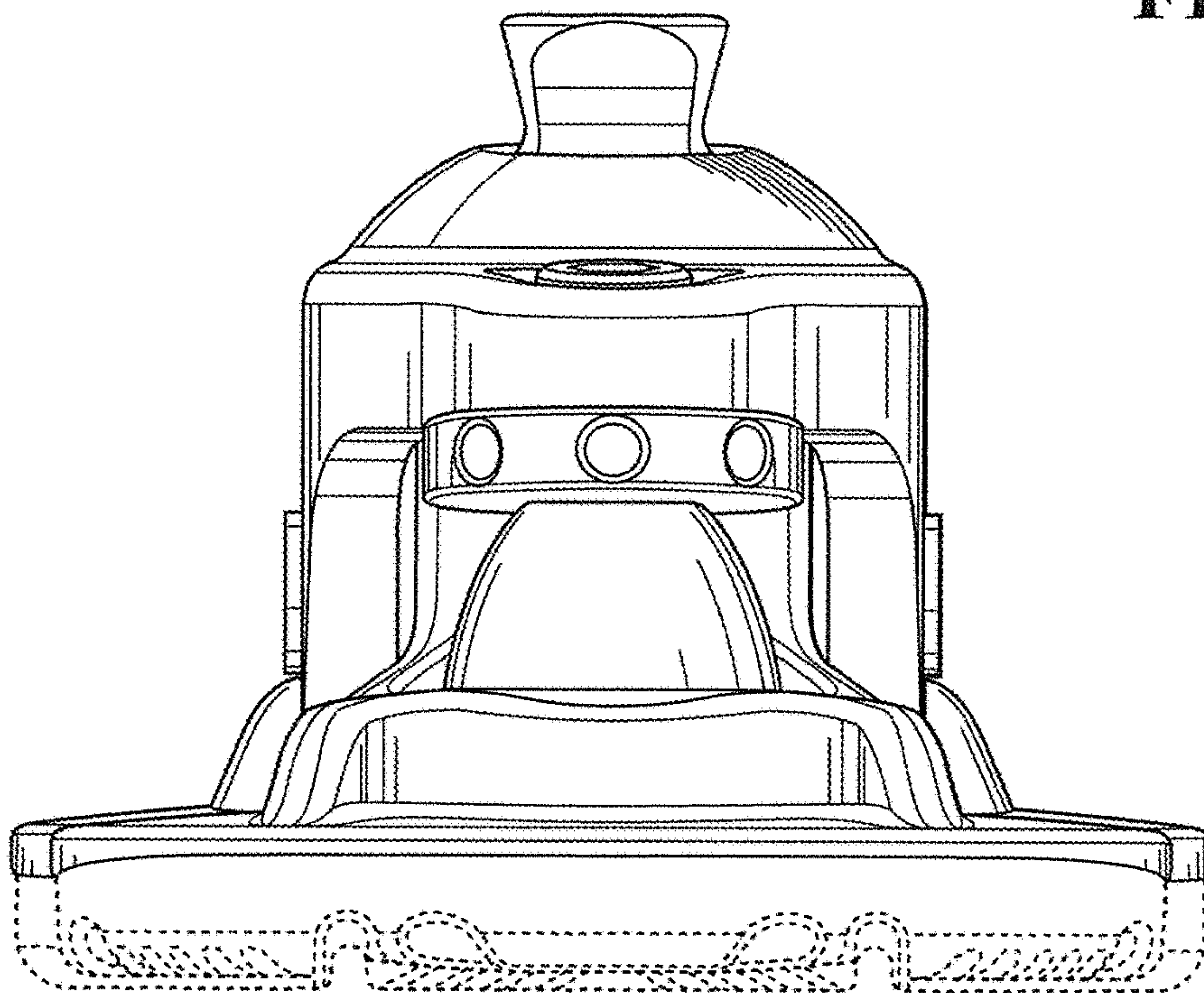


FIG. 7

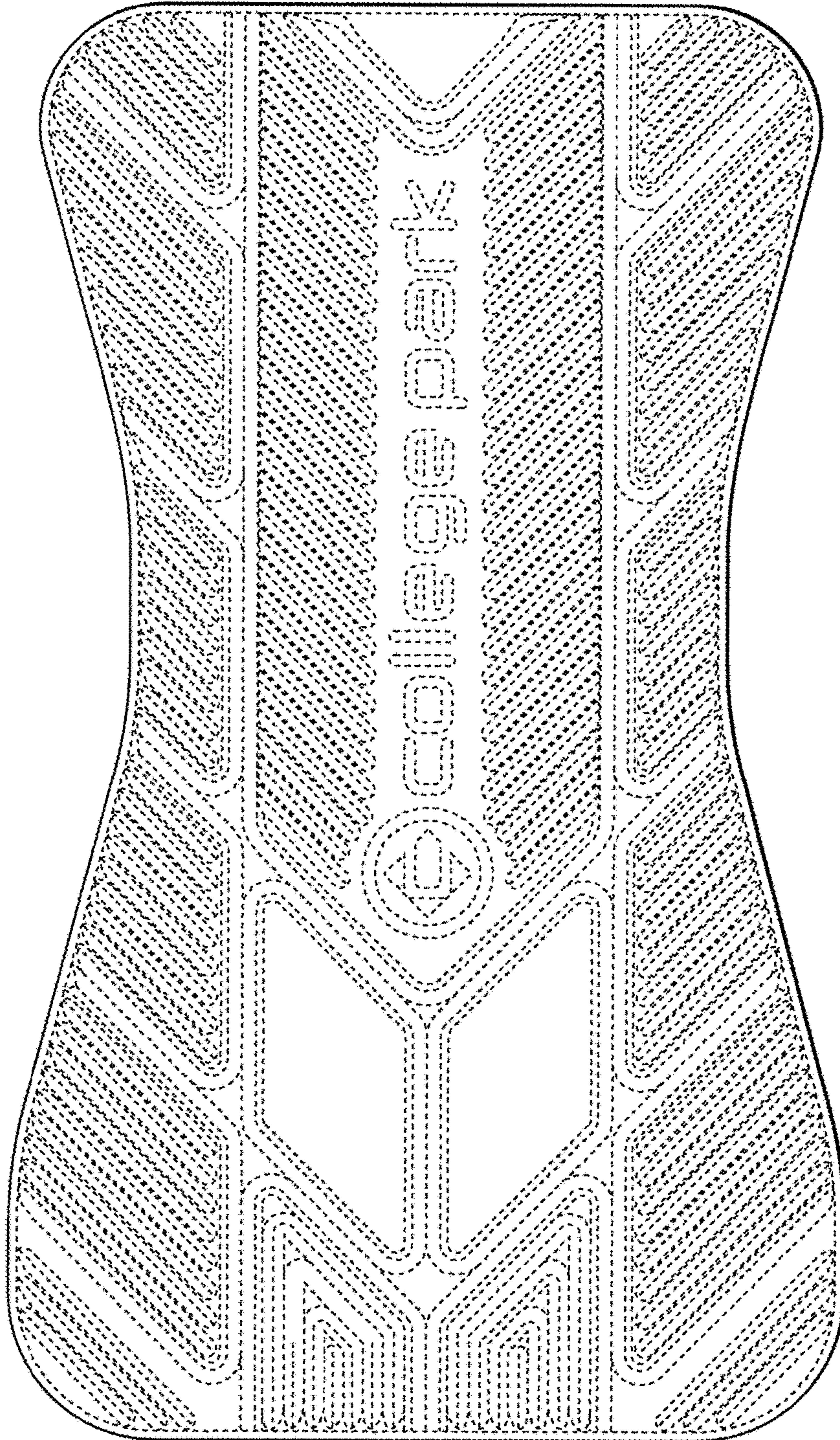


FIG. 8