



US00D782677S

(12) **United States Design Patent**
Fink et al.

(10) **Patent No.:** **US D782,677 S**
(45) **Date of Patent:** **** Mar. 28, 2017**

(54) **RASPATORY**

(71) Applicant: **KARL STORZ GmbH & Co. KG,**
Tuttlingen (DE)

(72) Inventors: **Christian Fink,** Innsbruck (AT);
Sascha Berberich, Tuttlingen (DE)

(73) Assignee: **KARL STORZ GmbH & Co. KG,**
Tuttlingen (DE)

(**) Term: **15 Years**

(21) Appl. No.: **29/529,091**

(22) Filed: **Jun. 3, 2015**

(30) **Foreign Application Priority Data**

Dec. 3, 2014 (EM) 002590224-0002

(51) **LOC (10) Cl.** **24-02**

(52) **U.S. Cl.**
USPC **D24/146**

(58) **Field of Classification Search**
USPC D24/127, 130, 133, 146, 147, 148;
606/79, 80-83
See application file for complete search history.

(56) **References Cited**

U.S. PATENT DOCUMENTS

- 6,468,279 B1 * 10/2002 Reo A61B 17/16
600/567
- D660,428 S * 5/2012 Hohl D24/133
- D744,652 S * 12/2015 Bennett D24/147
- 2005/0090829 A1 * 4/2005 Martz A61B 17/1604
606/79

- 2005/0096662 A1 * 5/2005 Shores A61B 17/162
606/79
- 2006/0064100 A1 * 3/2006 Bertagnoli A61B 17/1671
606/79
- 2007/0260253 A1 * 11/2007 Johnson A61B 17/1624
606/79
- 2016/0038195 A1 * 2/2016 Genovese A61B 17/7082
606/79
- 2016/0199200 A1 * 7/2016 Livorsi A61F 2/4611
606/79

* cited by examiner

Primary Examiner — Ian Simmons

Assistant Examiner — Samantha Q Lawrence

(74) *Attorney, Agent, or Firm* — Muncy, Geissler, Olds & Lowe, P.C.

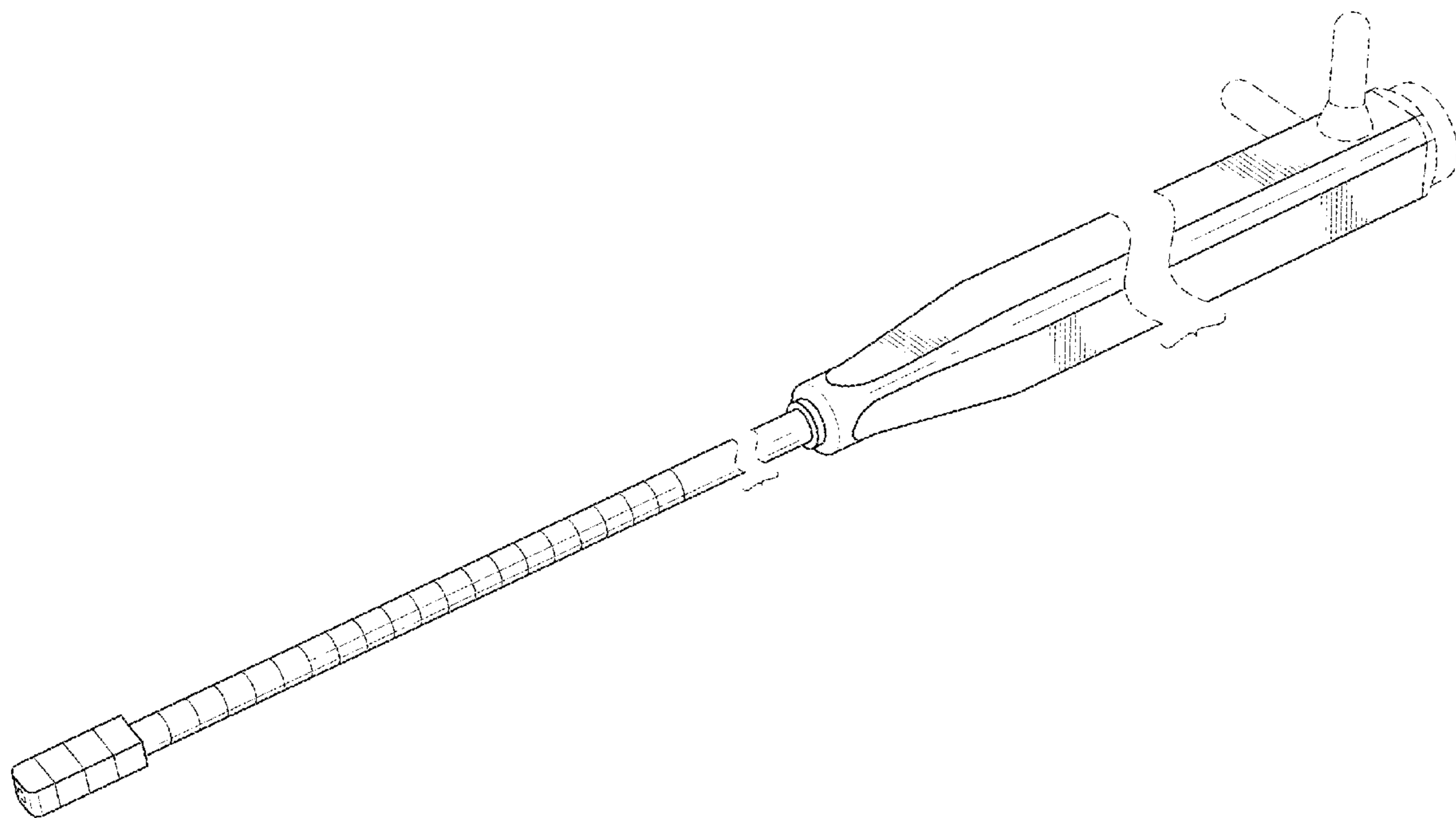
(57) **CLAIM**

The ornamental design for a raspatory, as shown and described.

DESCRIPTION

FIG. 1 is a front perspective view of a raspatory according to the present invention.
 FIG. 2 is a left side view of the raspatory of FIG. 1.
 FIG. 3 is a right side view of the raspatory of FIG. 1.
 FIG. 4 is a top view of the raspatory of FIG. 1.
 FIG. 5 is a bottom view of the raspatory of FIG. 1.
 FIG. 6 is a front view of the raspatory of FIG. 1; and,
 FIG. 7 is a rear view of the raspatory of FIG. 1.
 The broken lines shown in FIGS. 1-7 illustrate portions of the raspatory that form no part of the claimed design. The broken lines shown between the handle in FIGS. 1-5 illustrate a break in length and forms no part of the claimed design.

1 Claim, 6 Drawing Sheets



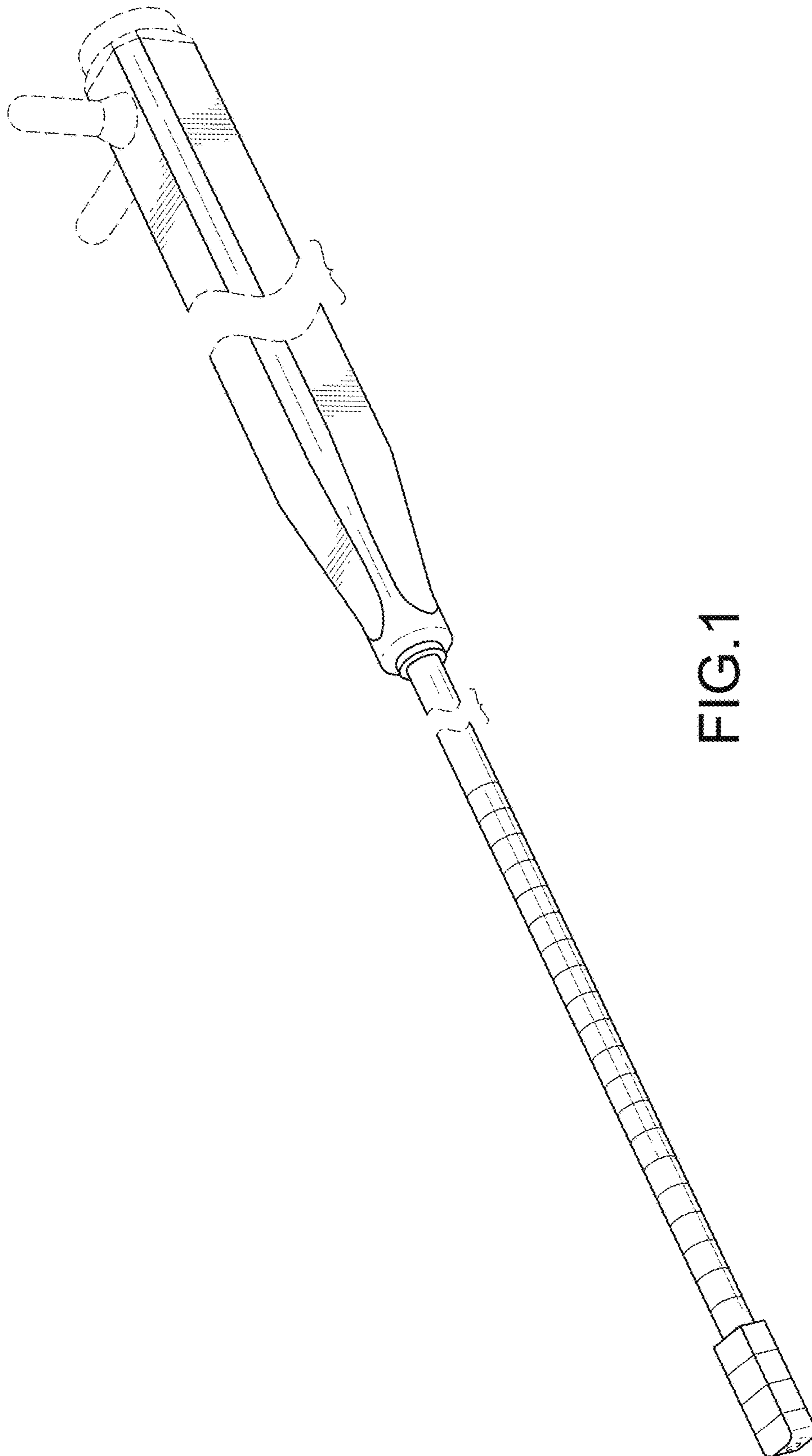


FIG. 1

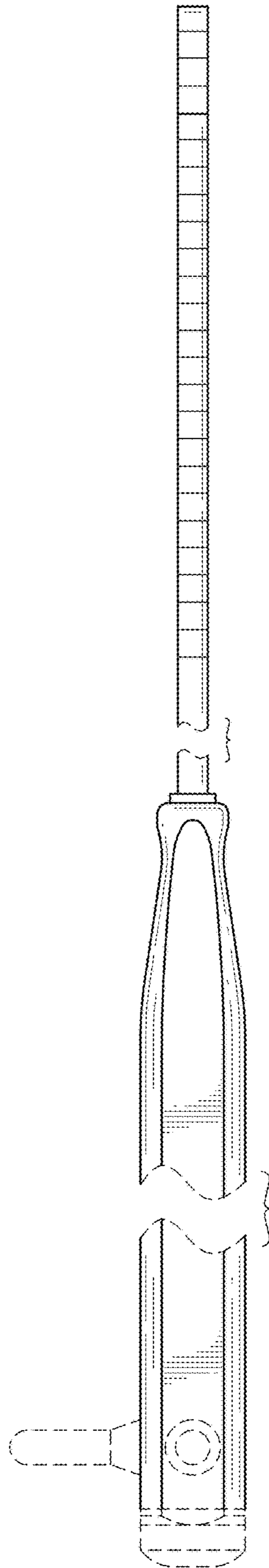


FIG.2

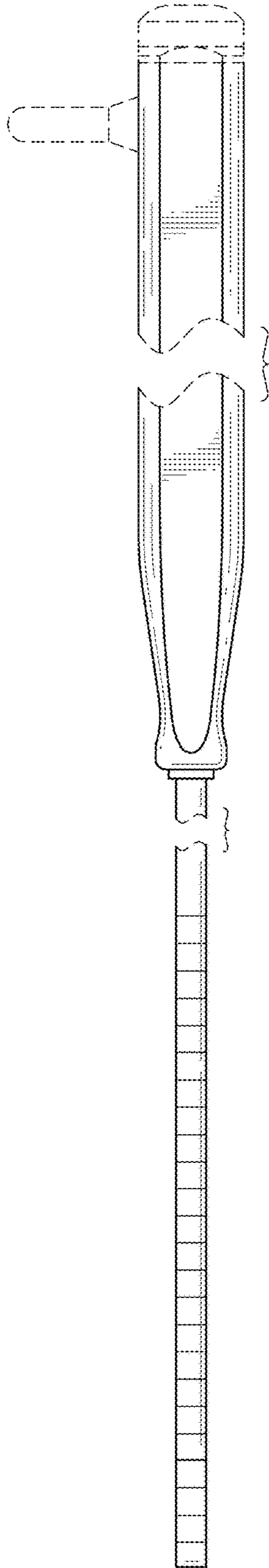


FIG.3

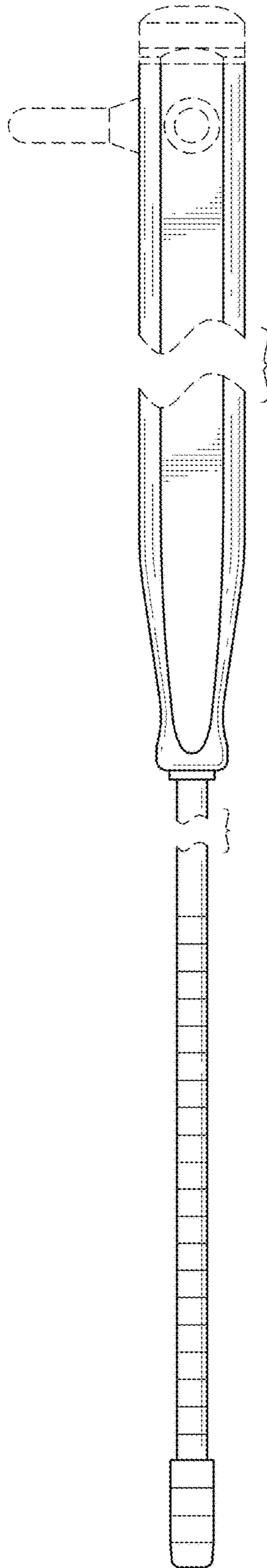


FIG.4

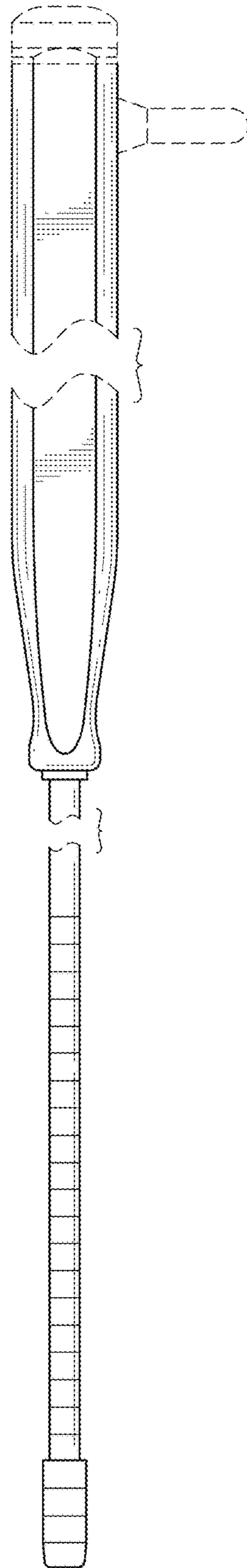


FIG.5

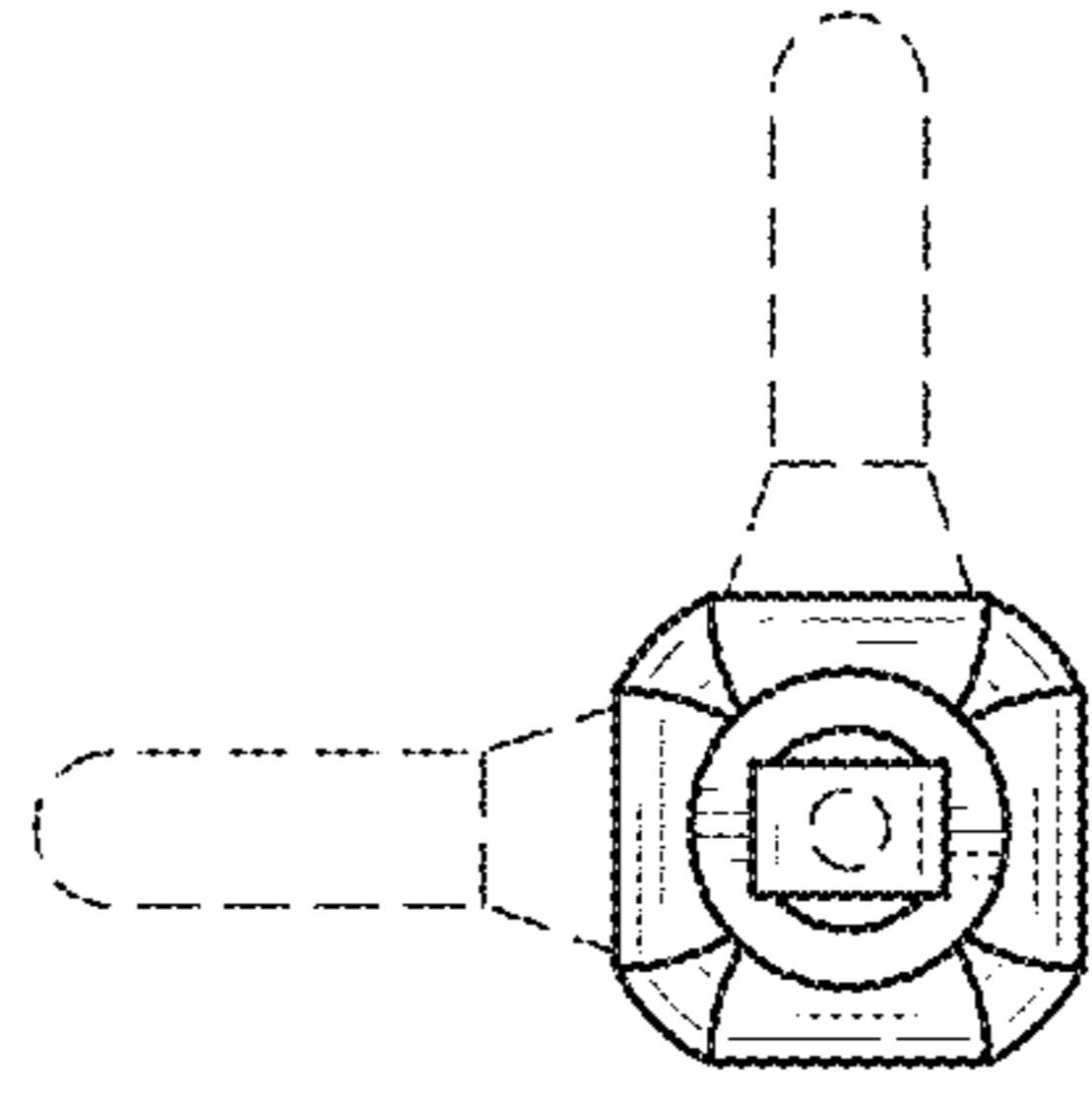


FIG. 6

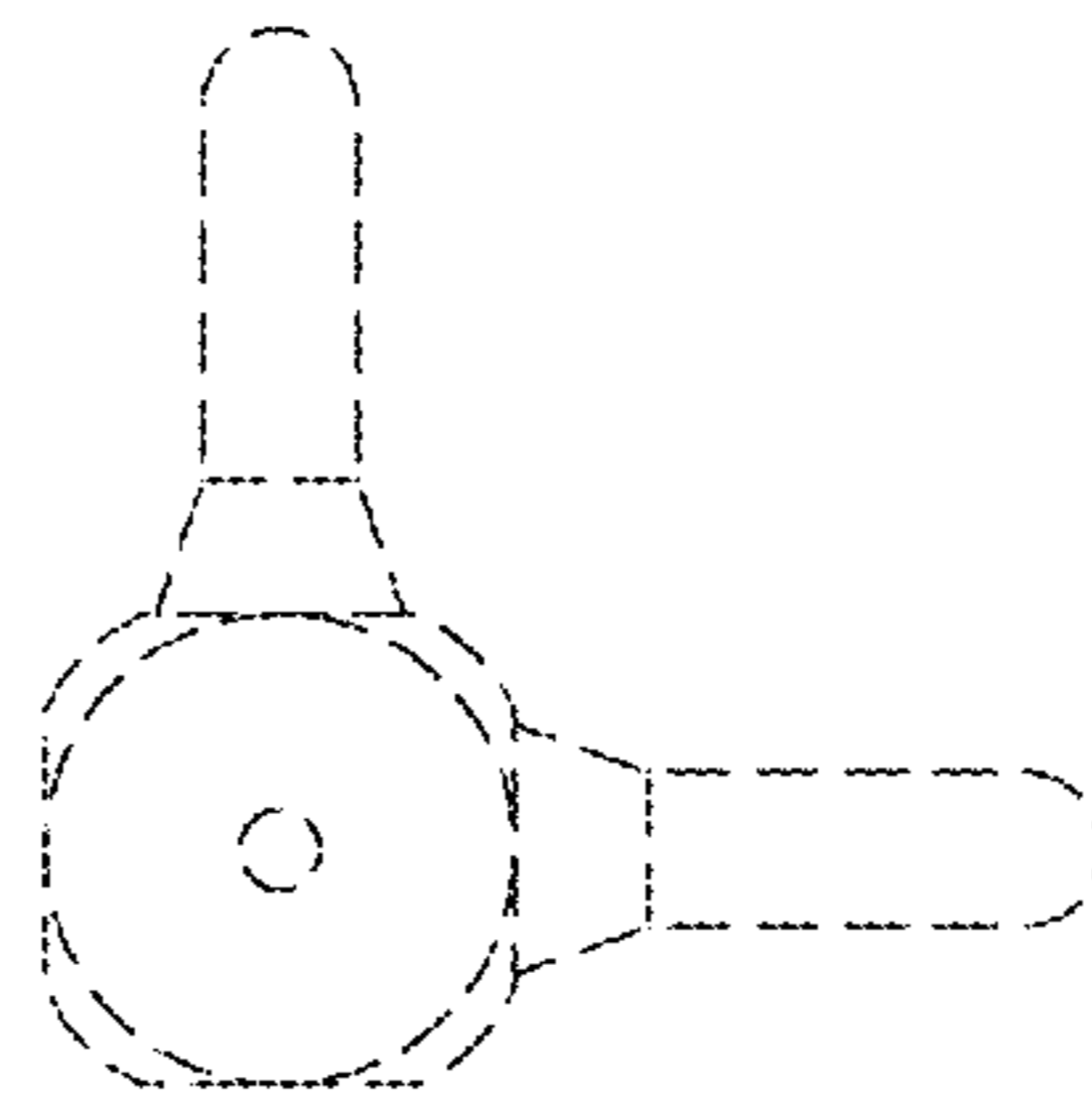


FIG. 7