



US00D782673S

(12) **United States Design Patent**
Meguro

(10) **Patent No.:** **US D782,673 S**
(45) **Date of Patent:** **** Mar. 28, 2017**

(54) **INDUSTRIAL ENDOSCOPE**
(71) Applicant: **OLYMPUS CORPORATION**,
Shibuya-ku, Tokyo (JP)
(72) Inventor: **Chikayoshi Meguro**, Hachioji (JP)
(73) Assignee: **OLYMPUS CORPORATION**, Tokyo
(JP)

8,821,379 B2 * 9/2014 Motoki A61B 1/00039
600/109
D755,379 S * 5/2016 Amano D24/138
D762,853 S * 8/2016 Amano D24/138
D765,832 S * 9/2016 Hochman D24/111
2011/0175990 A1 * 7/2011 Sato H04N 7/183
348/65
2012/0209064 A1 * 8/2012 Numata A61B 1/05
600/109

(Continued)

(**) Term: **15 Years**

Primary Examiner — Manpreet Matharu
Assistant Examiner — Yolanda Robinson

(21) Appl. No.: **29/552,842**

(74) *Attorney, Agent, or Firm* — Holtz, Holtz & Volek PC

(22) Filed: **Jan. 26, 2016**

(57) **CLAIM**

(30) **Foreign Application Priority Data**

The ornamental design for an industrial endoscope, as shown and described.

Dec. 21, 2015 (JP) 2015-028392

(51) **LOC (10) Cl.** **24-02**

DESCRIPTION

(52) **U.S. Cl.**
USPC **D24/138**

(58) **Field of Classification Search**
USPC D24/108, 117, 118, 133, 137-138, 140,
D24/141; D16/221; 600/109, 110, 117,
600/131, 145-147

FIG. 1 is a front, top and right side perspective view of an industrial endoscope showing my new design;
FIG. 2 is a rear, top and left side perspective view thereof;
FIG. 3 is a front elevational view thereof;
FIG. 4 is a rear elevational view thereof;
FIG. 5 is a top plan view thereof;
FIG. 6 is a bottom plan view thereof;
FIG. 7 is a right side elevational view thereof;
FIG. 8 is a left side elevational view thereof;
FIG. 9 is a front, top and right side perspective view thereof illustrating a state where a display thereof is raised; and,
FIG. 10 is a rear, top and left side perspective view thereof illustrating the state where the display thereof is raised.

CPC A61B 1/04; A61B 1/0039; A61B 1/00052;
A61B 1/00; A61B 1/0066; G02B 23/2484
See application file for complete search history.

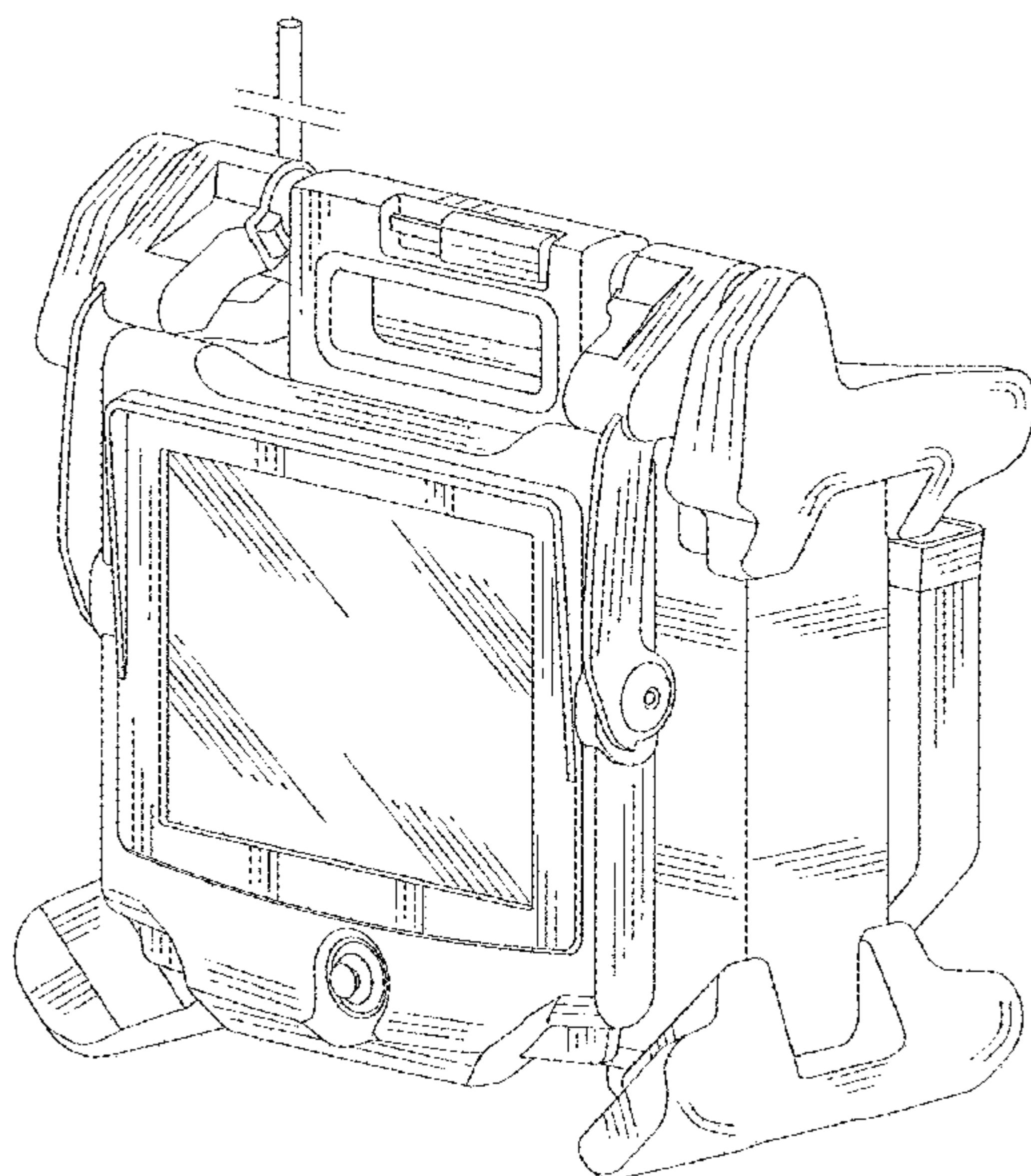
The broken away symbols in the drawings indicate that any portion of the article beyond what is shown forms no part of the claimed design.

(56) **References Cited**

U.S. PATENT DOCUMENTS

D598,097 S * 8/2009 Amano D24/138
D627,883 S * 11/2010 Hayashi D24/138
8,182,416 B1 * 5/2012 Hosaka A61B 1/00052
600/131
D671,213 S * 11/2012 Funakoshi D24/138
D671,214 S * 11/2012 Funakoshi D24/138

1 Claim, 10 Drawing Sheets



(56)

References Cited

U.S. PATENT DOCUMENTS

2012/0226099 A1* 9/2012 Yamamoto A61B 1/00048
600/102
2013/0079594 A1* 3/2013 Motoki A61B 1/00039
600/109
2014/0071265 A1* 3/2014 Kanzaki G02B 23/2492
348/82

* cited by examiner

FIG.1

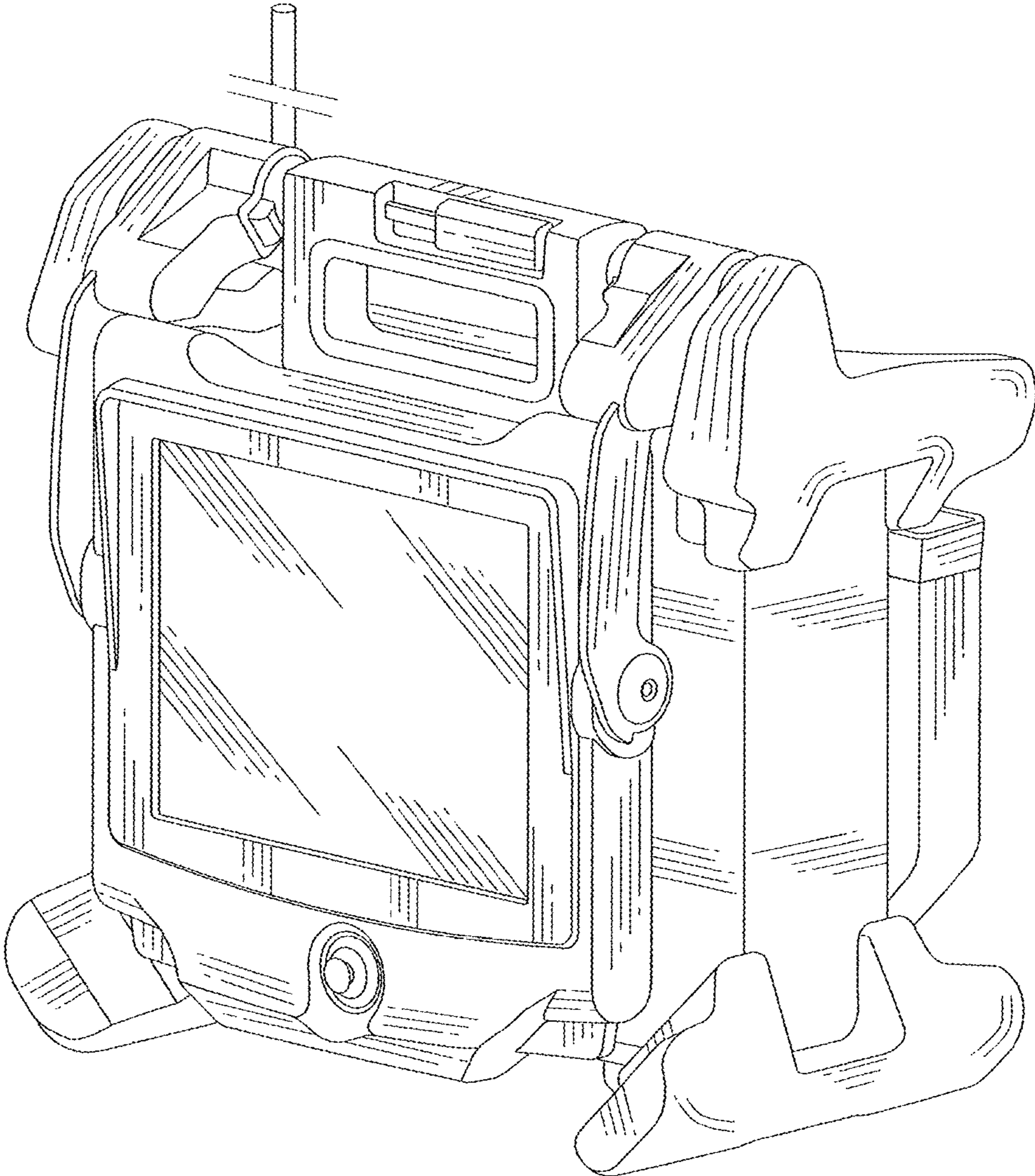


FIG.2

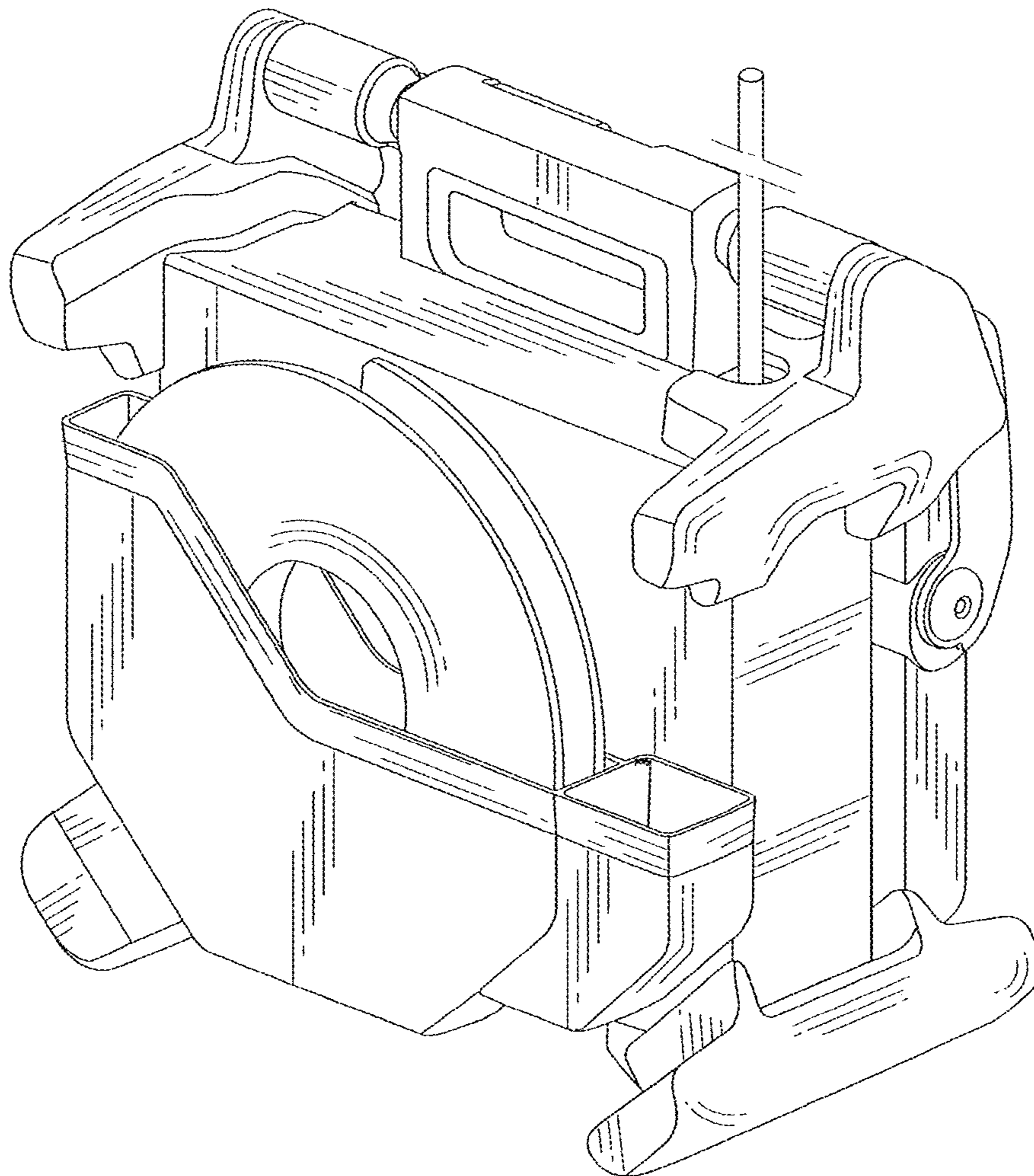


FIG.3

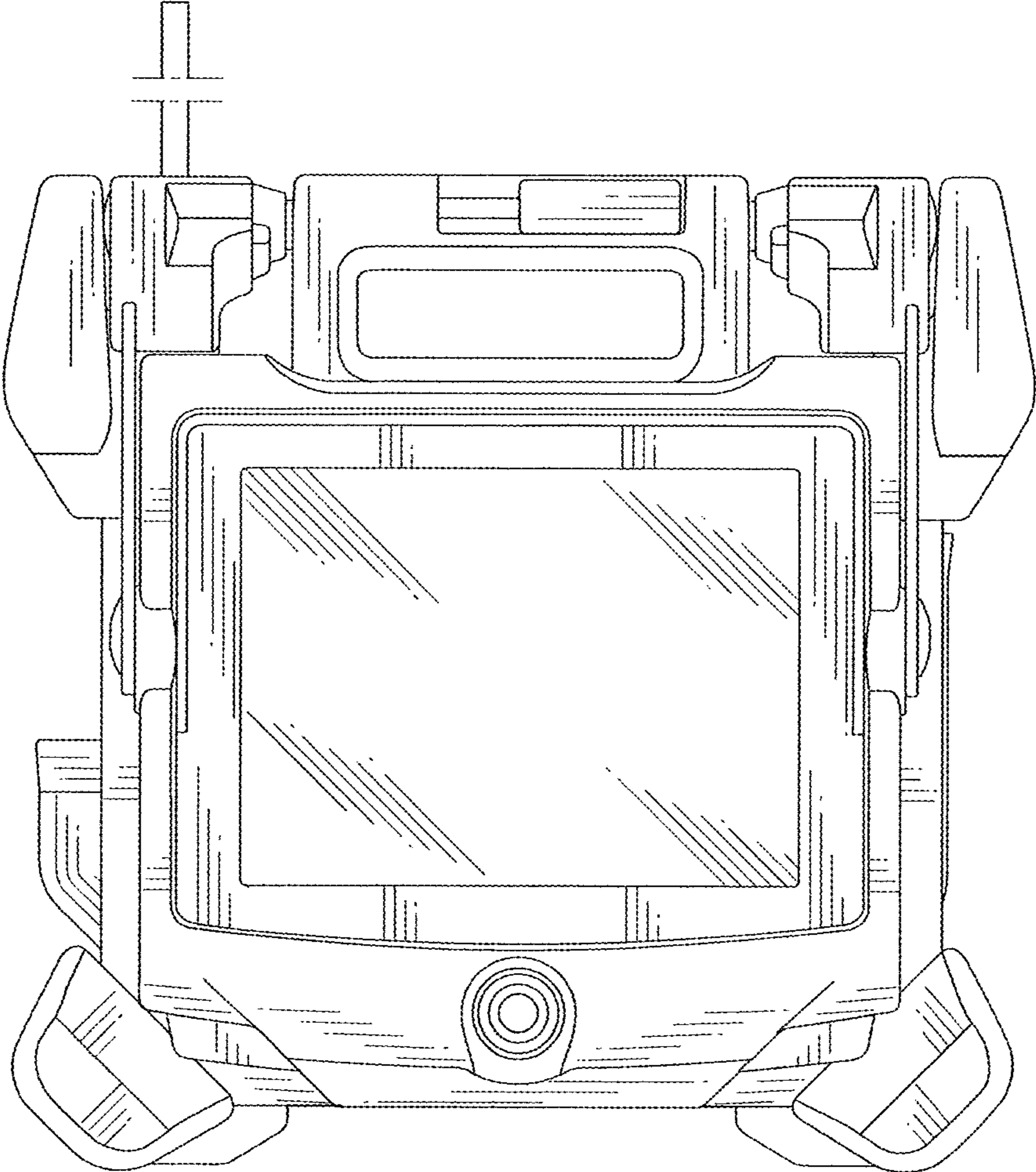


FIG.4

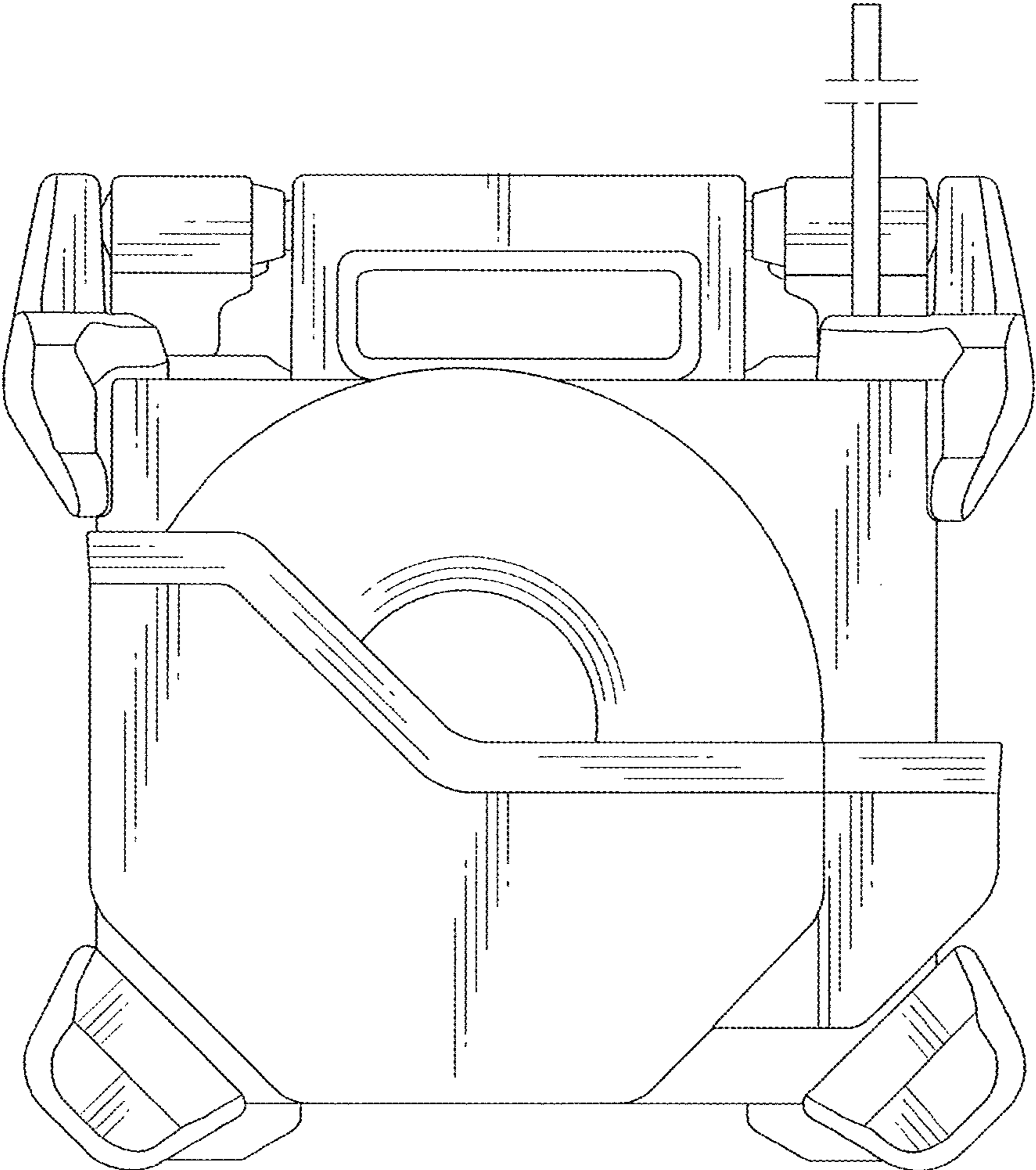


FIG.5

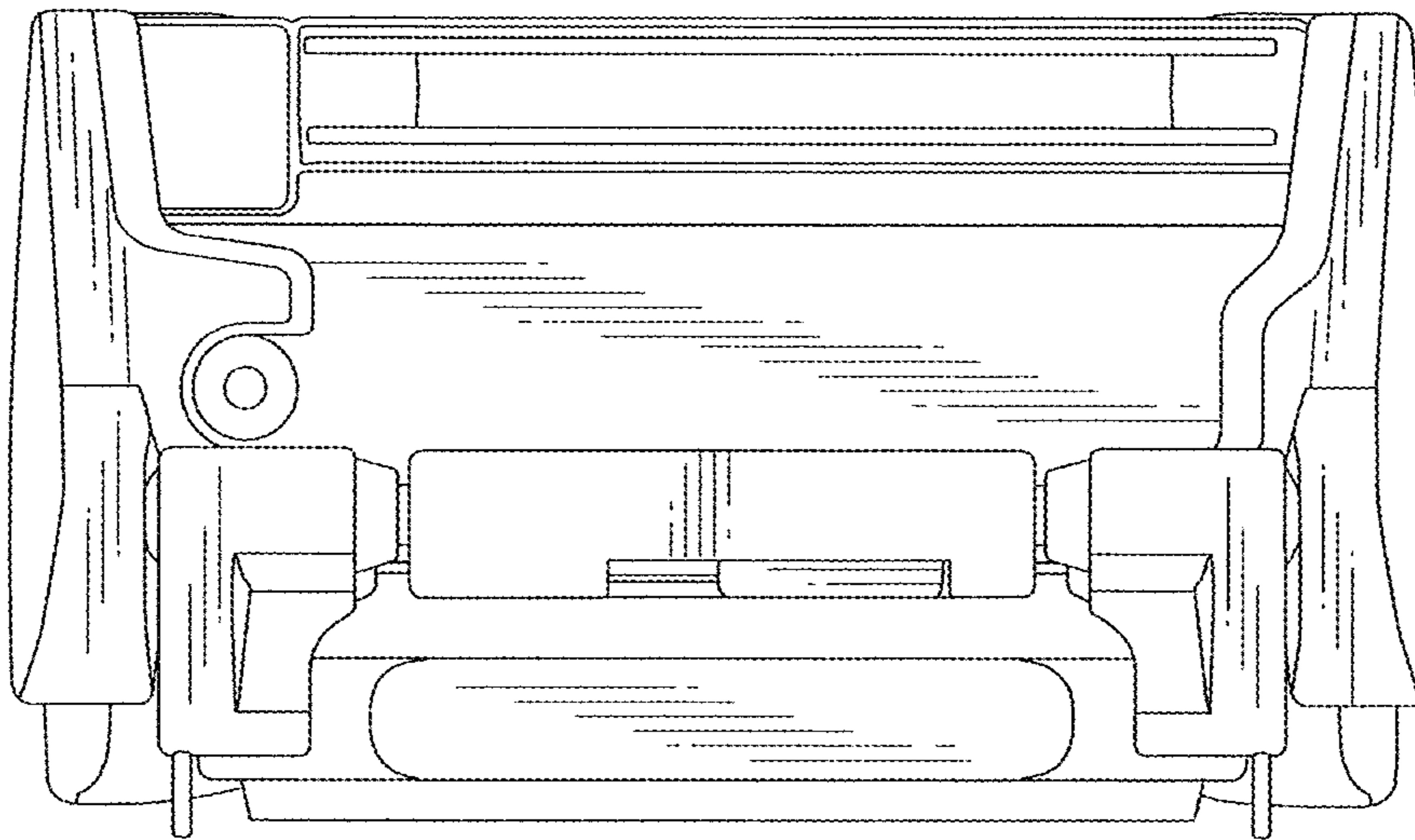


FIG.6

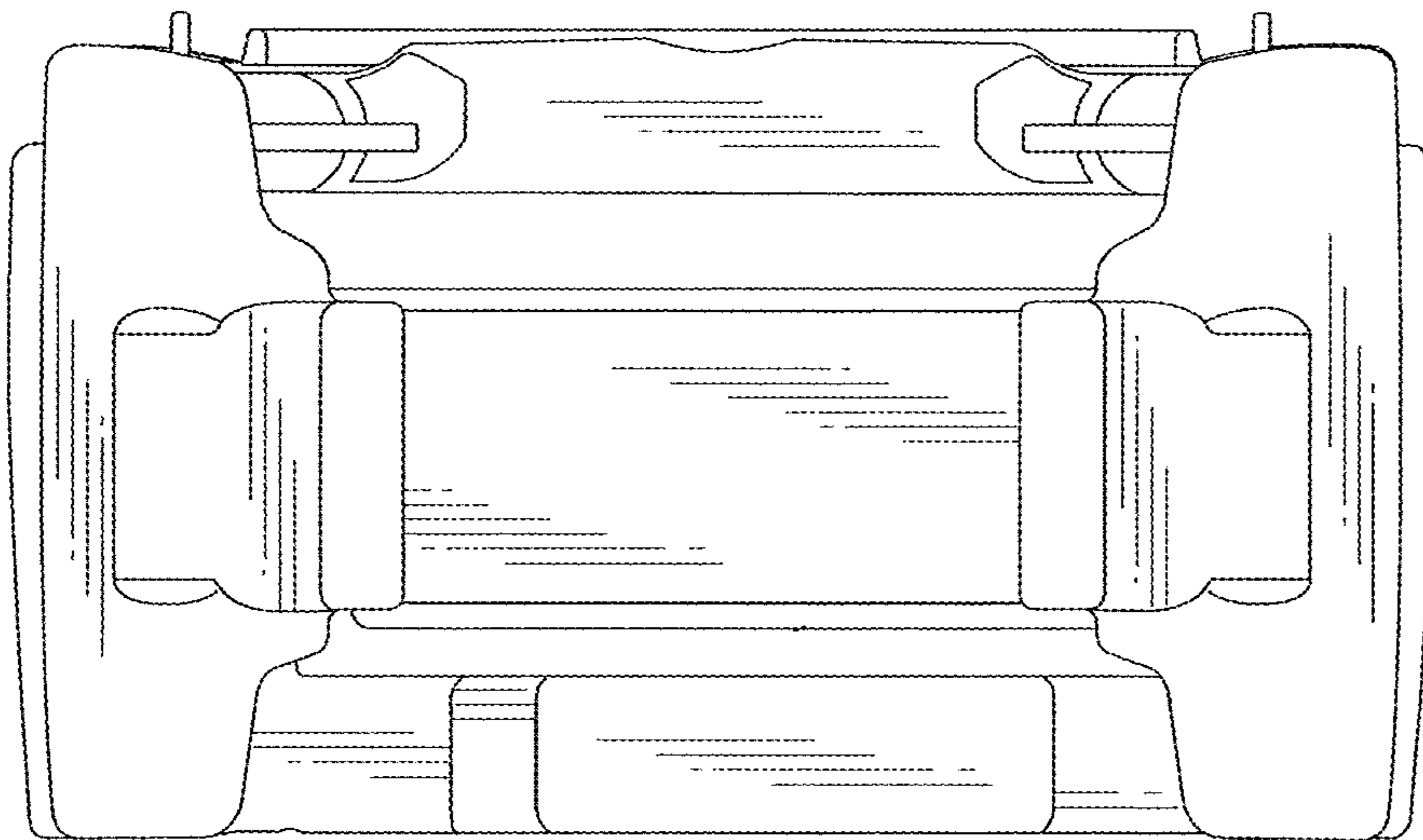


FIG.7

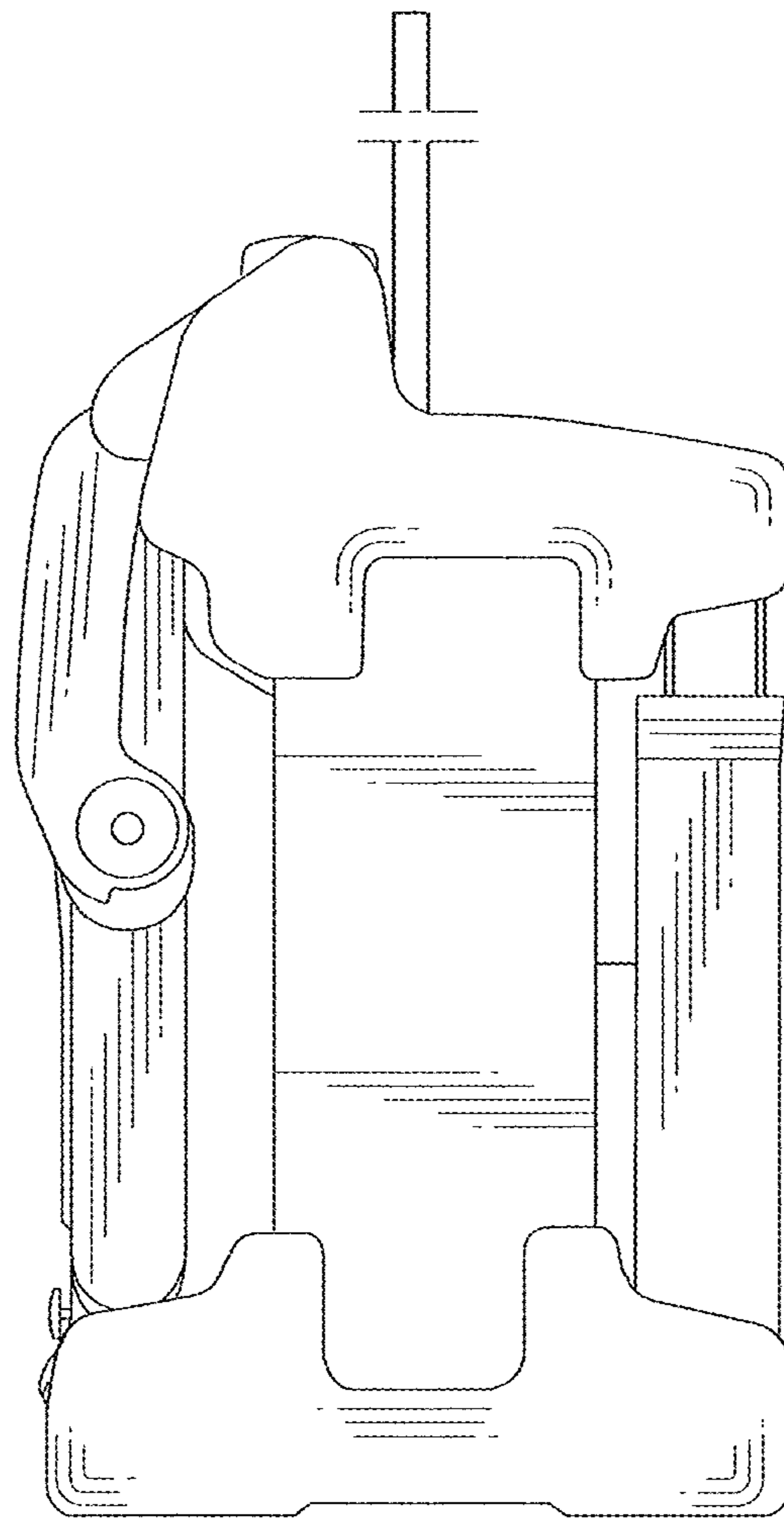


FIG.8

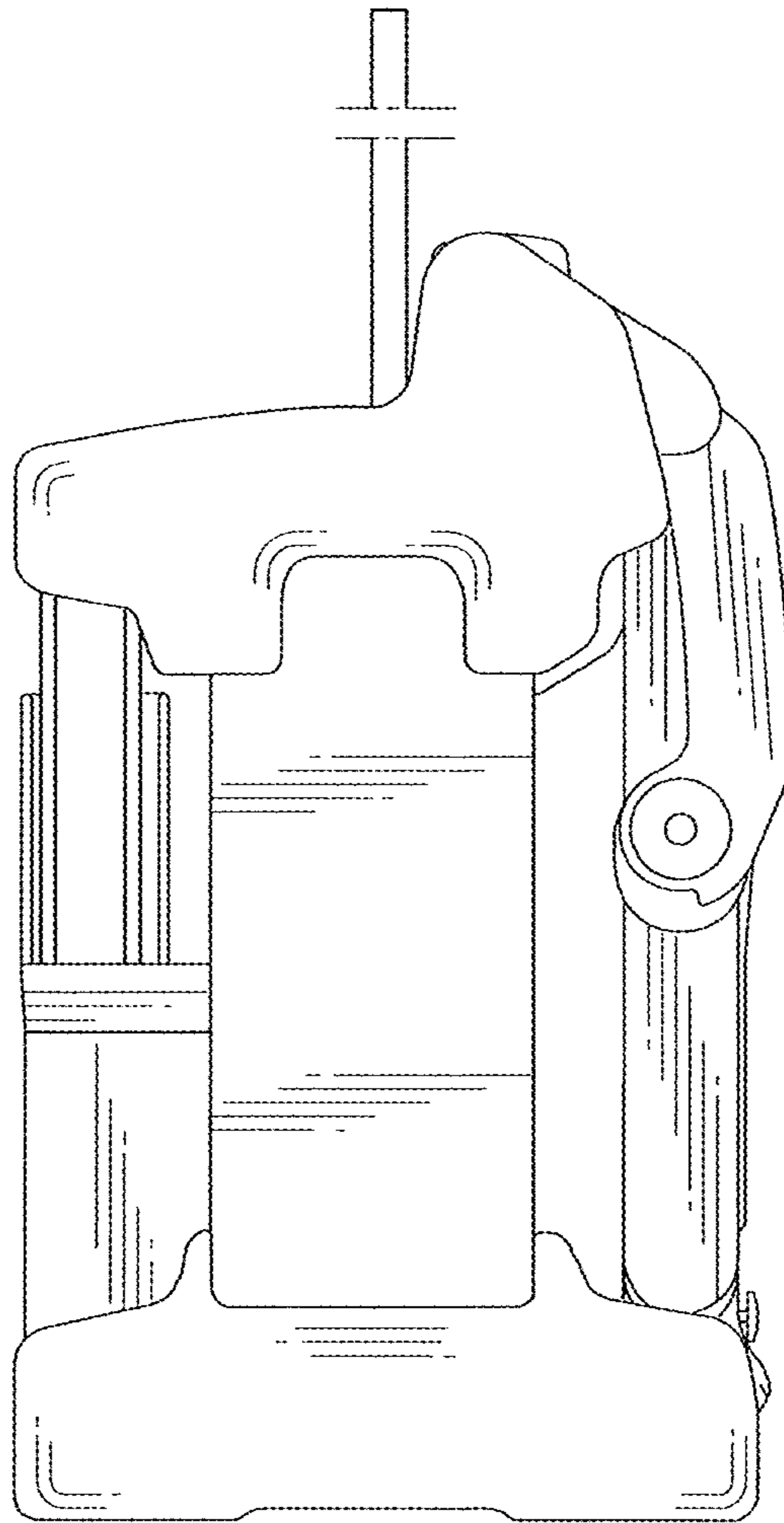


FIG.9

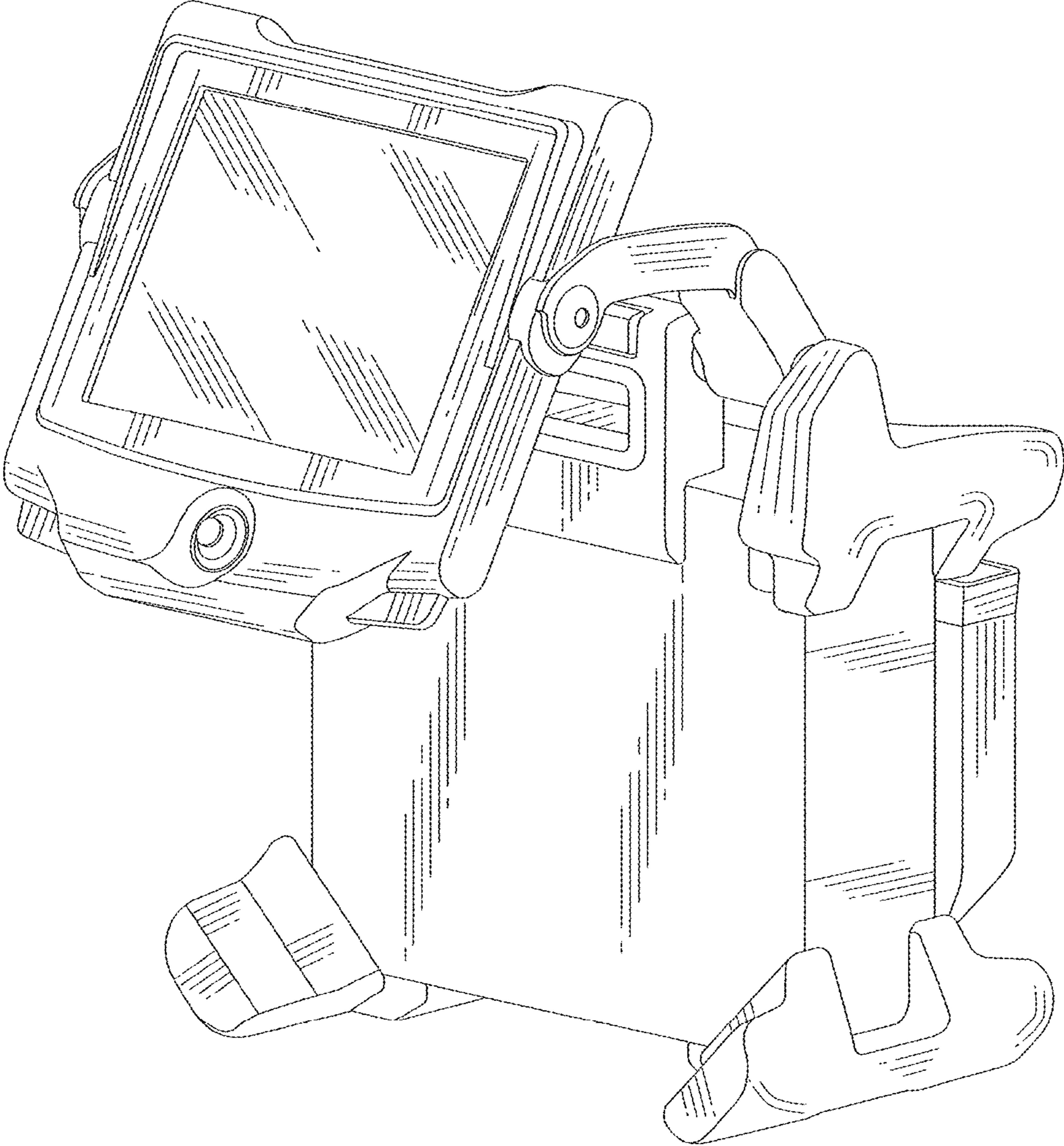


FIG.10

