



US00D782672S

(12) **United States Design Patent**
Tanaka et al.

(10) **Patent No.:** **US D782,672 S**

(45) **Date of Patent:** **** *Mar. 28, 2017**

(54) **OPERATING GRIP FOR ENDOSCOPE**

(71) Applicant: **FUJIFILM Corporation**, Tokyo (JP)

(72) Inventors: **Kunihiko Tanaka**, Kanagawa (JP);
Koji Yoshida, Kanagawa (JP)

(73) Assignee: **FUJIFILM Corporation**, Tokyo (JP)

(*) Notice: This patent is subject to a terminal disclaimer.

(**) Term: **15 Years**

(21) Appl. No.: **29/538,885**

(22) Filed: **Sep. 9, 2015**

(30) **Foreign Application Priority Data**

Mar. 10, 2015 (JP) 2015-005205

(51) **LOC (10) Cl.** **24-02**

(52) **U.S. Cl.**
USPC **D24/138**

(58) **Field of Classification Search**

USPC D24/108, 112, 117, 118, 130, 133, 135,
D24/137, 138, 222, 141, 111, 113, 127,
D24/143, 144, 148, 179, 216, 152, 153,
D24/154, 176, 170

CPC A61B 1/00; A61B 1/00137; A61B 1/005;
A61B 1/0014; A61B 1/0676; A61B
1/0669; A61B 1/00121; A61B 1/00133;
A61B 1/00071; A61B 1/00064; A61B
1/00068; A61B 1/00112; A61B 1/0125;
A61B 17/3478

See application file for complete search history.

(56) **References Cited**

U.S. PATENT DOCUMENTS

D481,124 S * 10/2003 Hayamizu D24/138
D493,529 S * 7/2004 Hayamizu D24/138

D618,790 S * 6/2010 Bukoski D24/113
D638,937 S * 5/2011 Tanaka D24/138
D648,023 S * 11/2011 Nohara D24/138
D669,175 S * 10/2012 Makowski D24/138
D718,442 S * 11/2014 Yoshida D24/138
D718,443 S * 11/2014 Yoshida D24/138
D718,445 S * 11/2014 Yoshida D24/138
D718,447 S * 11/2014 Yoshida D24/138
D753,298 S * 4/2016 Hayamizu D24/138
D753,823 S * 4/2016 Hayamizu D24/138

(Continued)

Primary Examiner — Robert M Spear

Assistant Examiner — Eliza Bennett-Hattan

(74) *Attorney, Agent, or Firm* — Young & Thompson

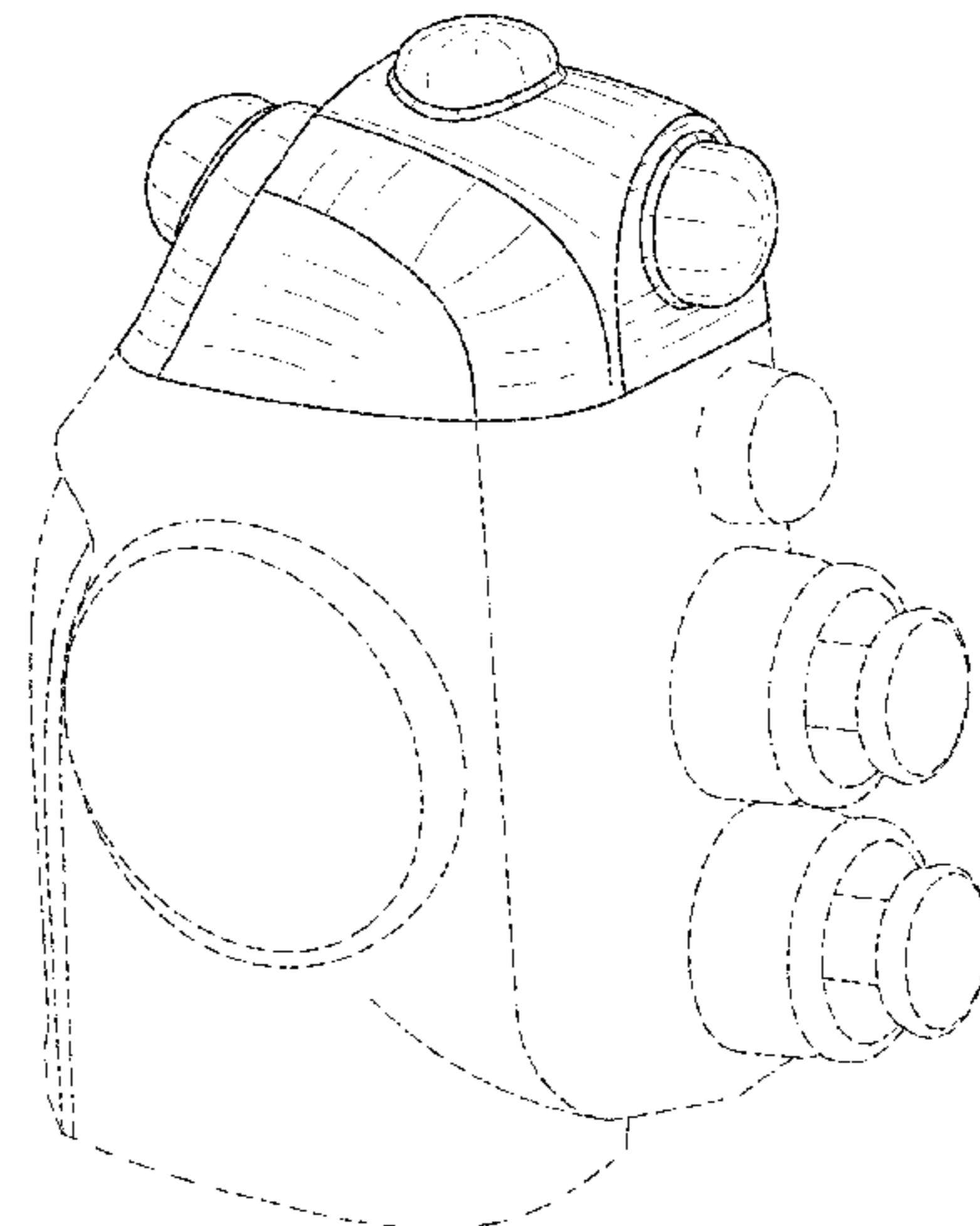
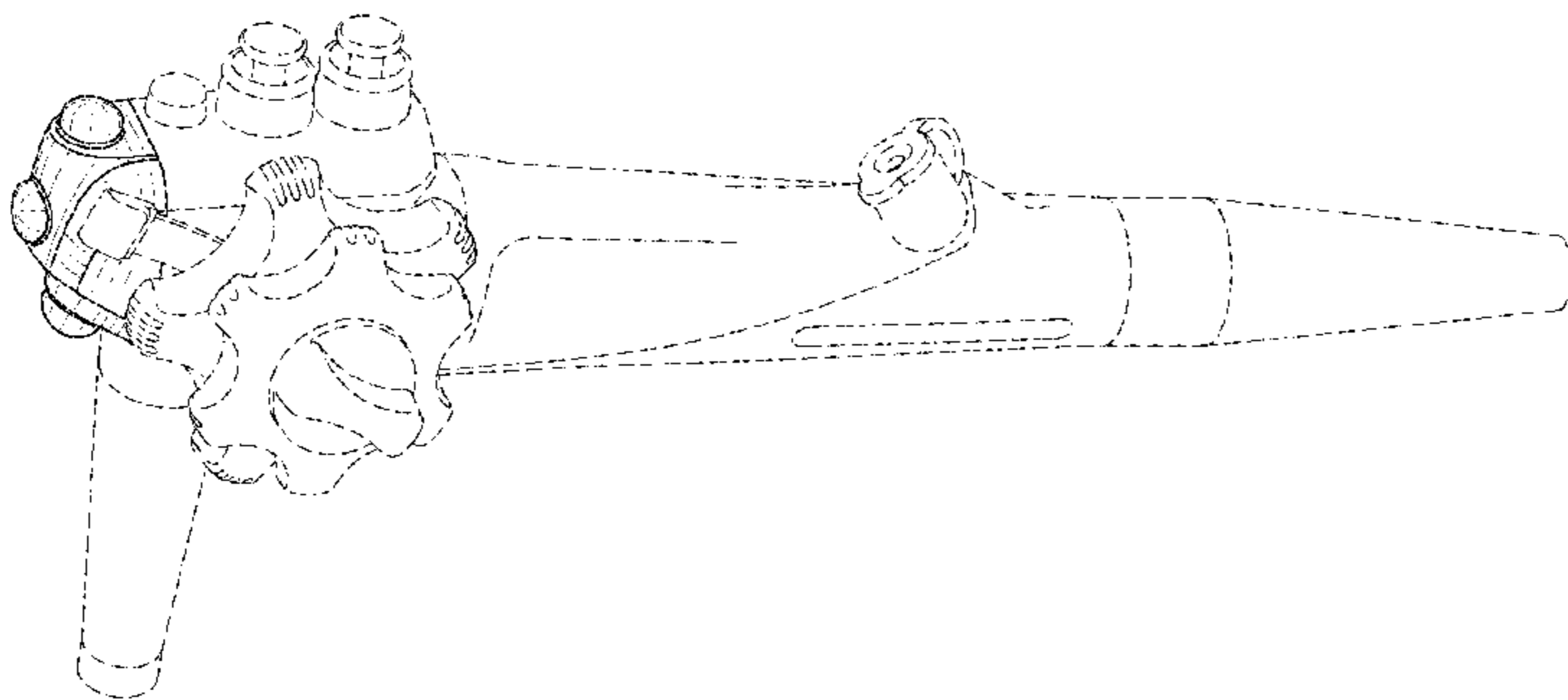
(57) **CLAIM**

The ornamental design for an operating grip for endoscope, as shown and described.

DESCRIPTION

FIG. 1 is a top, front and left side perspective view of an operating grip for endoscope showing my new design; FIG. 2 is a bottom, front and left side perspective view thereof; FIG. 3 is a front elevational view thereof; FIG. 4 is a rear elevational view thereof; FIG. 5 is a top plan view thereof; FIG. 6 is a bottom plan view thereof; FIG. 7 is a left side elevational view thereof; FIG. 8 is a right side elevational view thereof; and, FIG. 9 is an enlarged fragmentary top, front left side perspective view thereof, shown with the angle knob removed for clarity of disclosure. The broken line portions of the operating grip for endoscope throughout the drawings are shown to illustrate environment only and form no part of the claimed design.

1 Claim, 9 Drawing Sheets



(56)

References Cited

U.S. PATENT DOCUMENTS

2012/0051693 A1* 3/2012 Yoshida G02B 5/02
385/31

* cited by examiner

FIG. 1

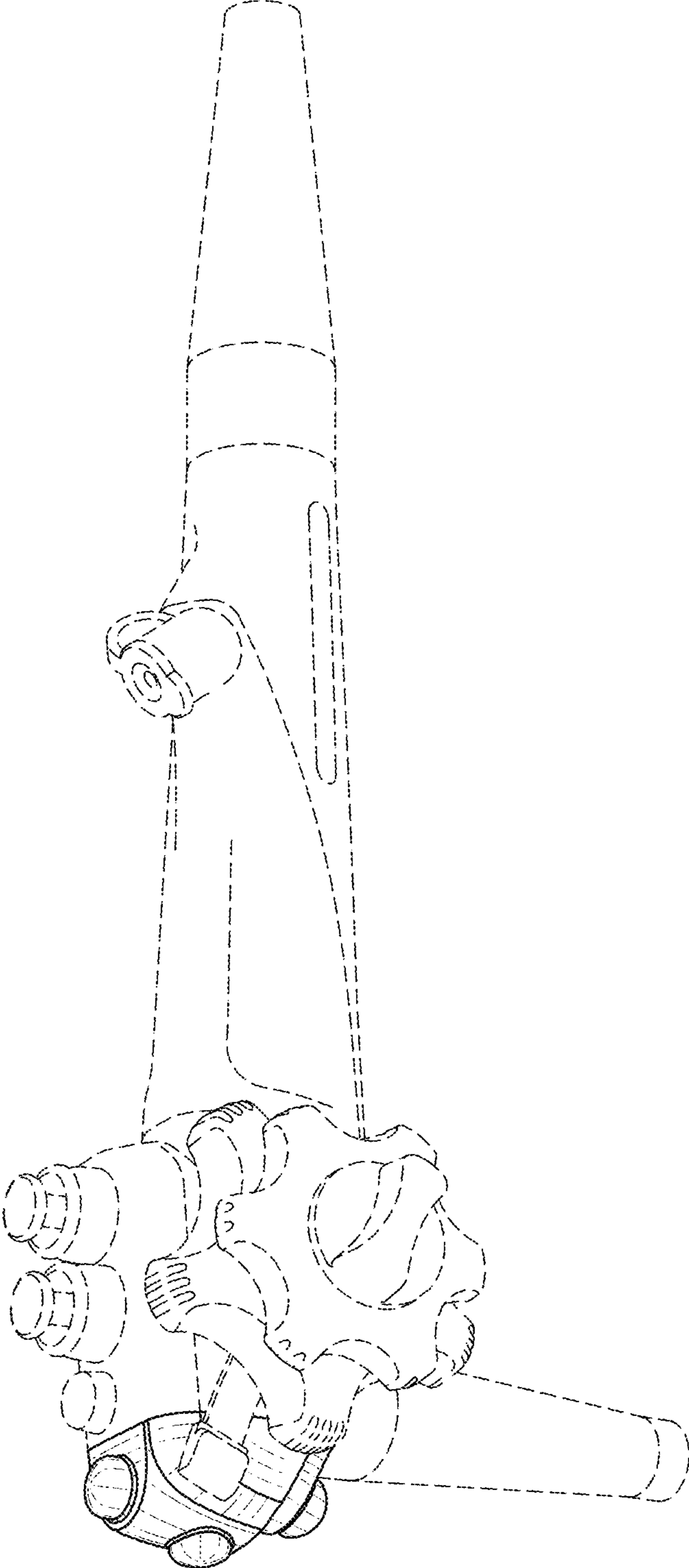


FIG.2

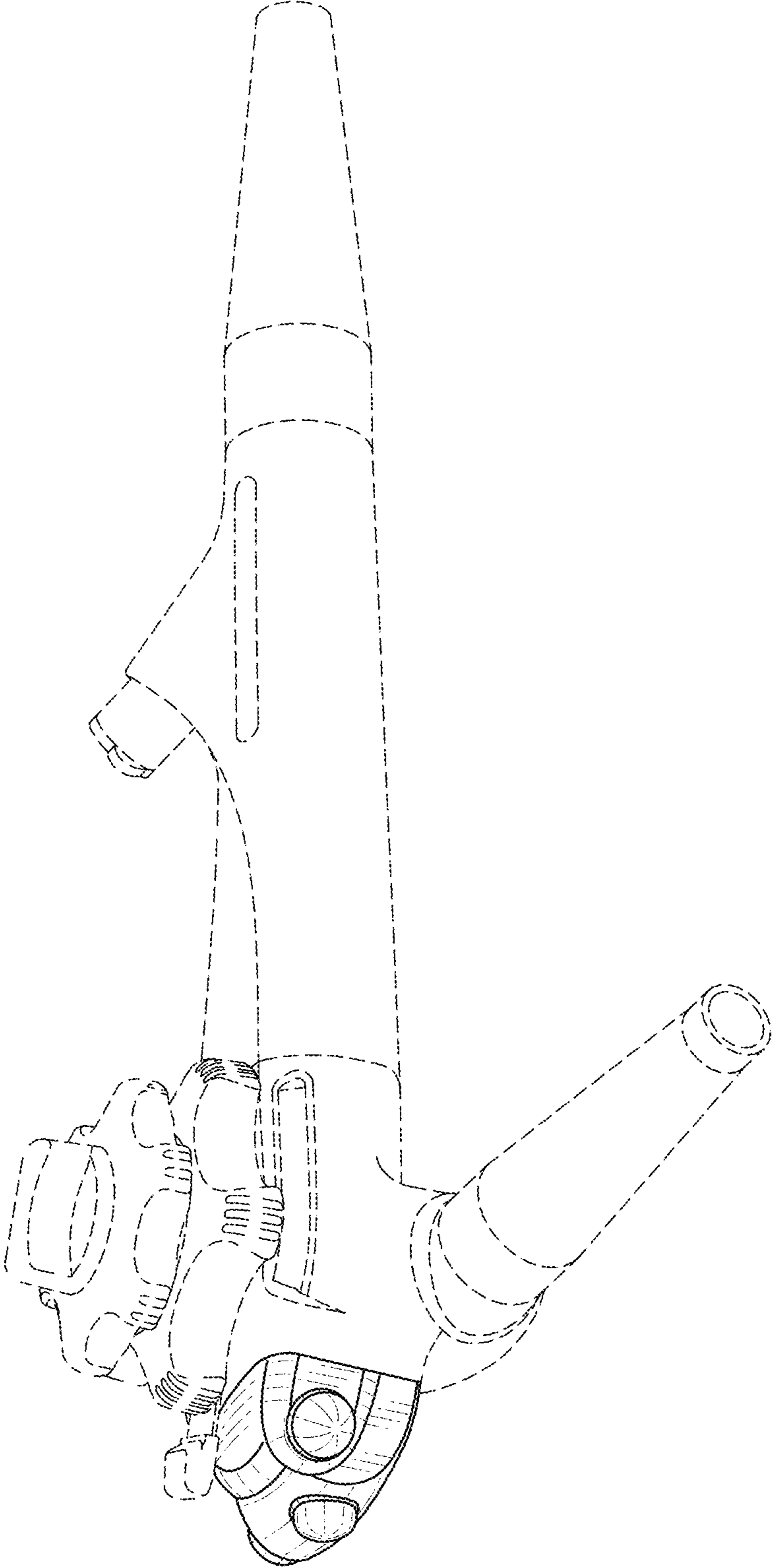


FIG. 3

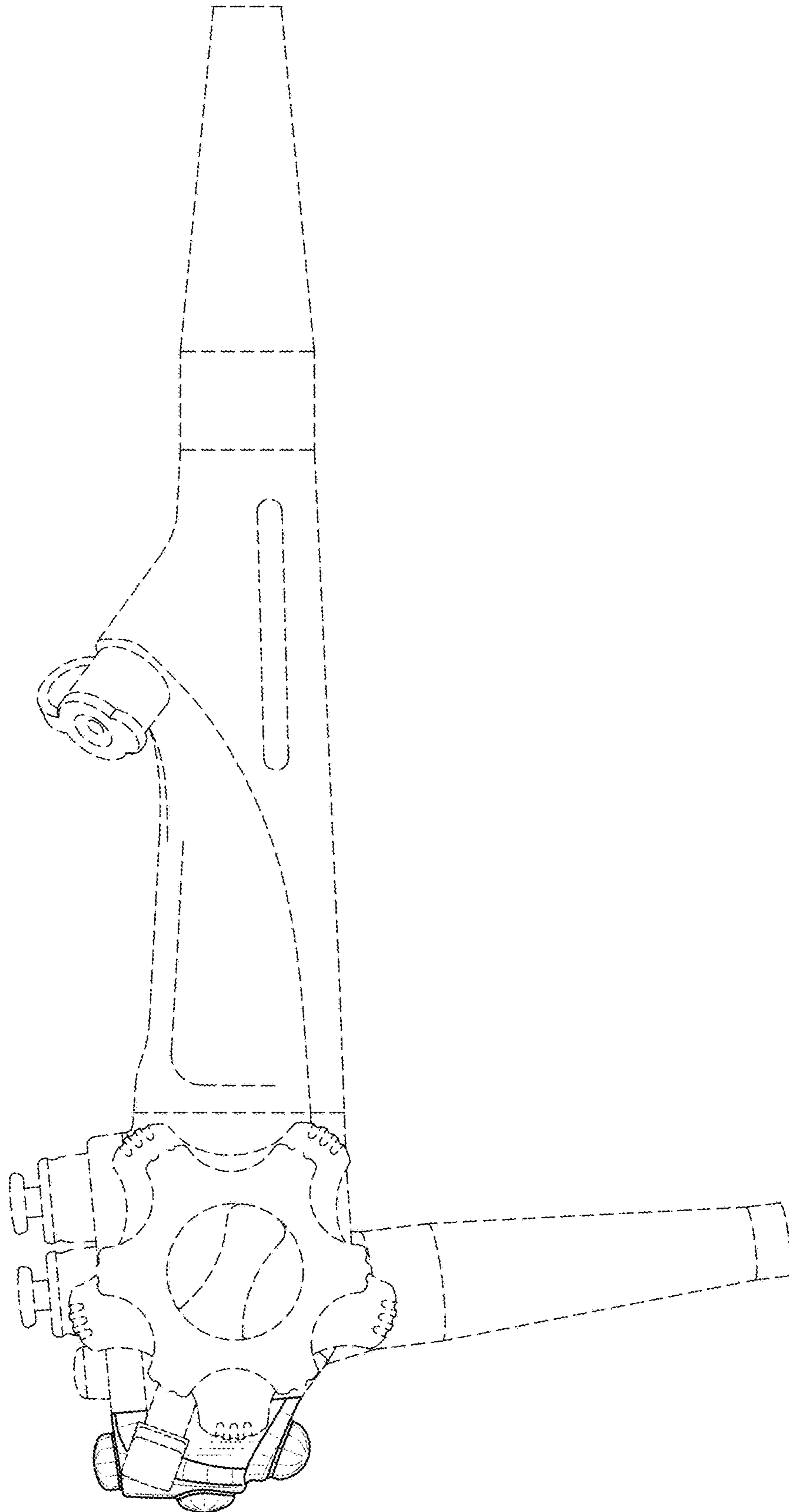


FIG.4

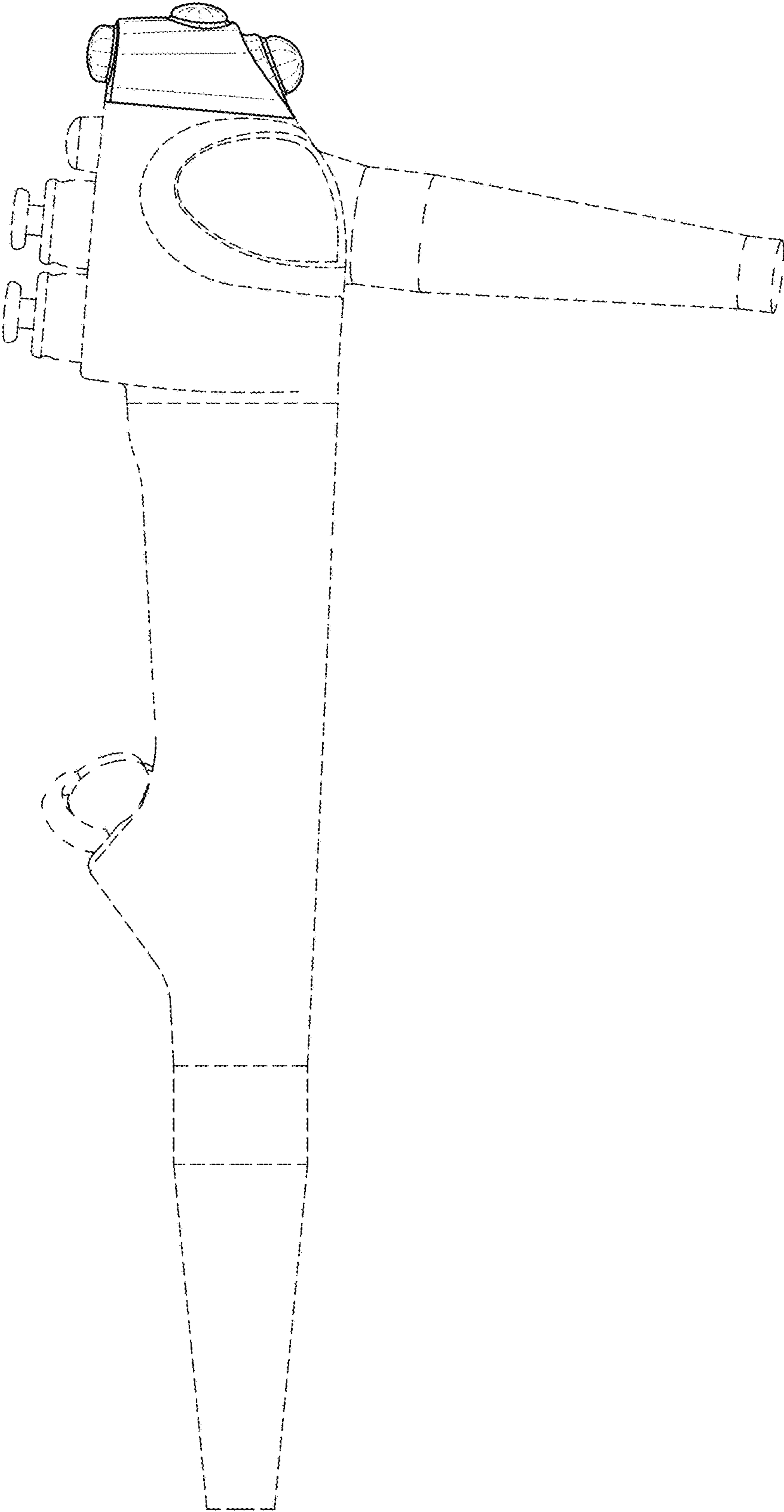


FIG. 5

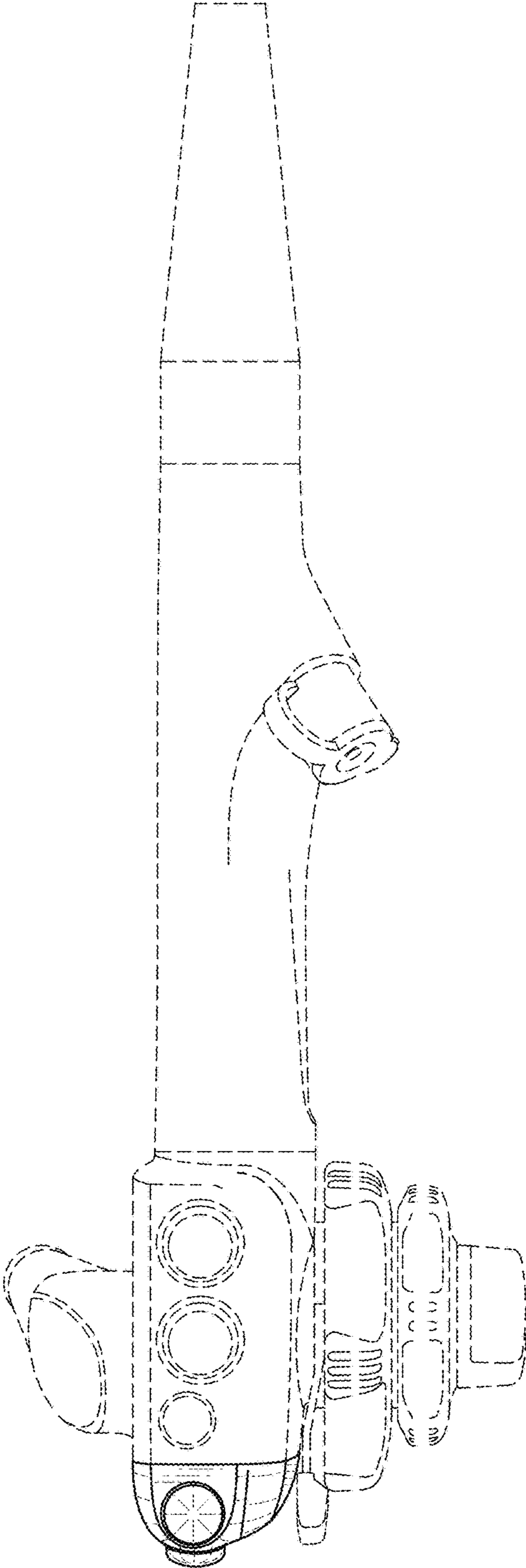


FIG. 6

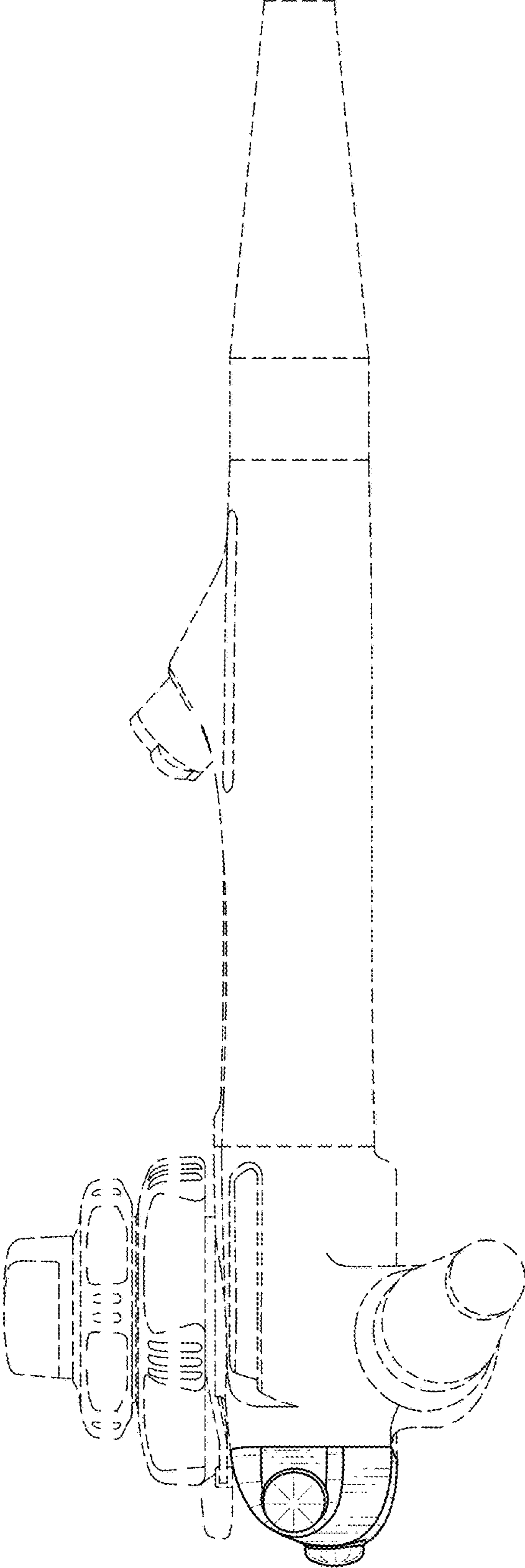


FIG. 7

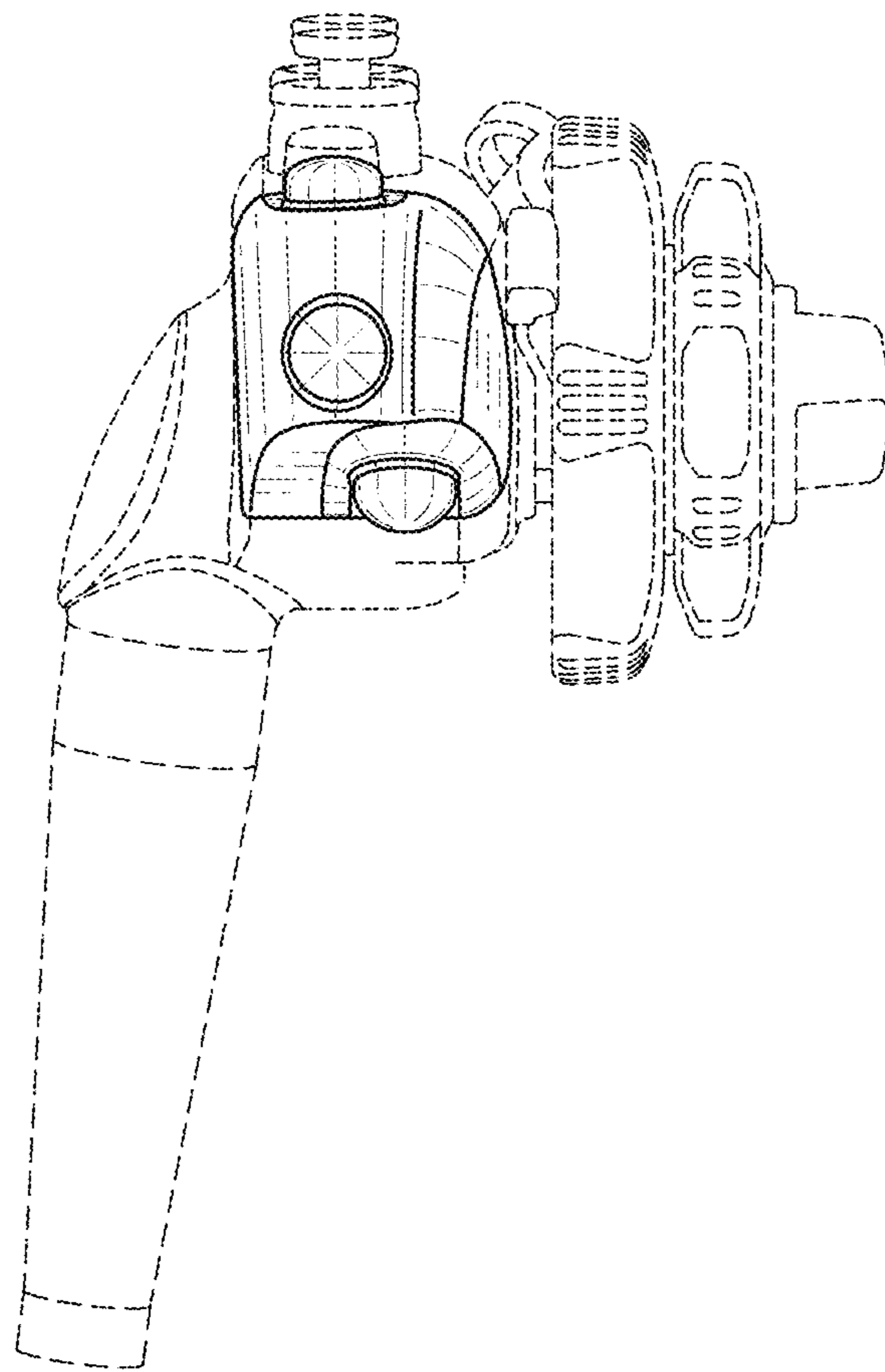


FIG. 8

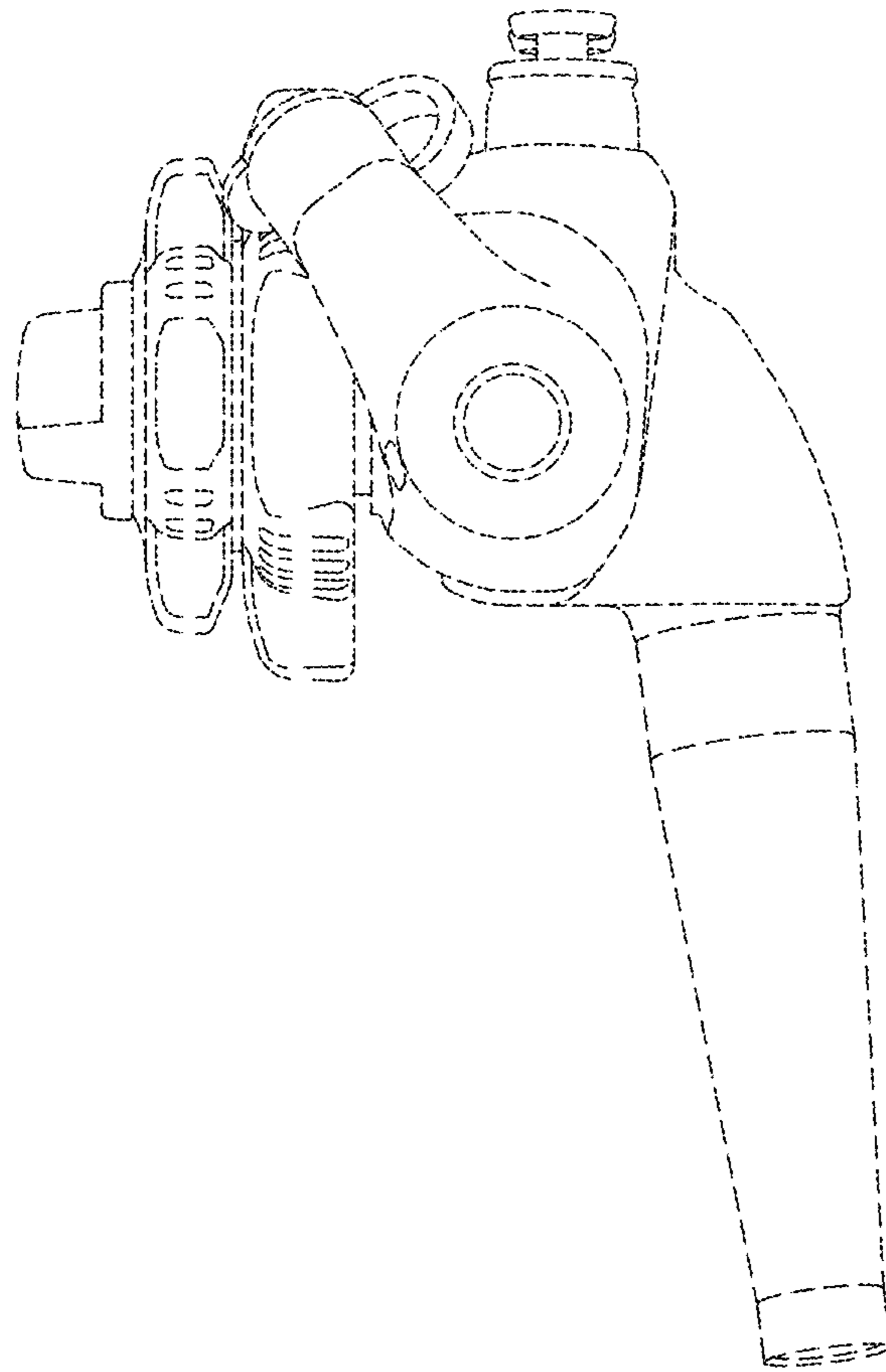


FIG. 9

