



US00D782669S

(12) **United States Design Patent**  
**Fuhr et al.**

(10) **Patent No.:** **US D782,669 S**  
(45) **Date of Patent:** **\*\* Mar. 28, 2017**

(54) **GRIP OF LARYNGOSCOPES**

(71) Applicant: **KARL STORZ GmbH & Co. KG,**  
Tuttlingen (DE)

(72) Inventors: **Eugenia Fuhr,** Tuttlingen (DE);  
**Martin Renner,** Liptingen (DE);  
**Ulrich Merz,** Villingen-Schwenningen  
(DE)

(73) Assignee: **KARL STORZ GmbH & Co. KG,**  
Tuttlingen (DE)

(\*\*) Term: **15 Years**

(21) Appl. No.: **29/549,265**

(22) Filed: **Dec. 21, 2015**

(30) **Foreign Application Priority Data**

Jun. 19, 2015 (EM) ..... 002722231-0003

(51) **LOC (10) Cl.** ..... **24-02**

(52) **U.S. Cl.**  
USPC ..... **D24/137**

(58) **Field of Classification Search**  
USPC ..... D24/108, 117, 118, 133, 135, 137-138,  
D24/141, 222; D8/70, 82-87; 600/131,  
600/132, 145-147, 226  
CPC ..... A61B 1/00; A61B 1/267; A61B 18/1402;  
A61B 18/1445; G06F 3/147  
See application file for complete search history.

(56) **References Cited**

**U.S. PATENT DOCUMENTS**

D533,428 S \* 12/2006 Tsai ..... D8/107  
D598,099 S \* 8/2009 Halbig ..... D24/138  
D631,158 S \* 1/2011 Doerges ..... D24/137  
D631,963 S \* 2/2011 Efinger ..... D24/137  
D634,842 S \* 3/2011 Fuerst ..... D24/138

D645,963 S \* 9/2011 Buerk ..... D24/138  
D655,815 S \* 3/2012 Miller ..... D24/133  
D667,545 S \* 9/2012 Czupalla ..... D24/137  
(Continued)

**OTHER PUBLICATIONS**

Karl Storz, "Brite Blade Laryngoscopes," Endoworld AN 12-1  
01-2013-E, pp. 1-20 (Jan. 2013).  
(Continued)

*Primary Examiner* — Manpreet Matharu  
*Assistant Examiner* — Yolanda Robinson  
(74) *Attorney, Agent, or Firm* — Muncy, Geissler, Olds &  
Lowe, P.C.

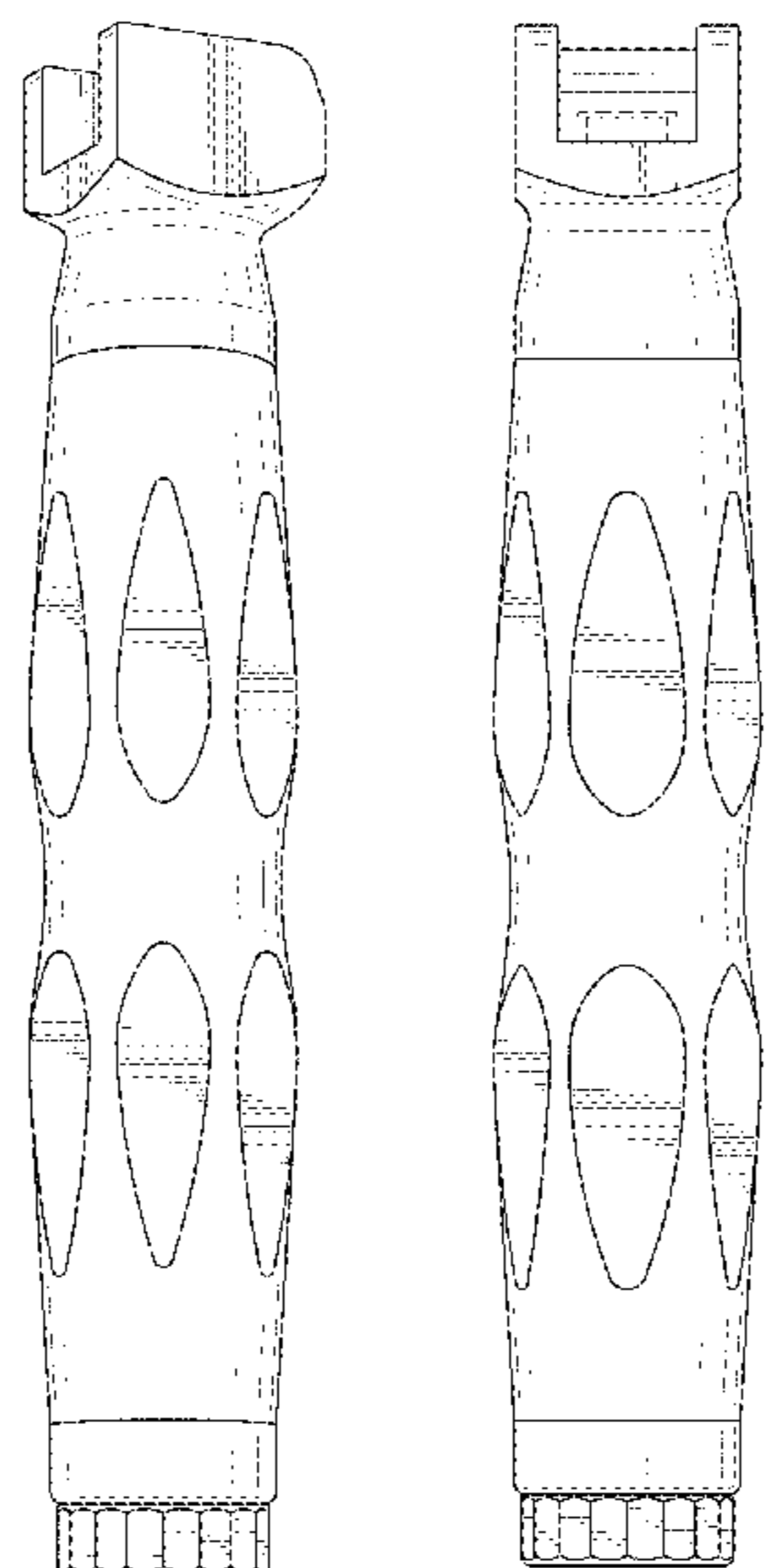
(57) **CLAIM**

The ornamental design for a grip of laryngoscopes, as shown  
and described.

**DESCRIPTION**

FIG. 1 is a front perspective view of a grip of laryngoscopes  
according to the present invention.  
FIG. 2 is a front view of the grip of laryngoscopes of FIG.  
1.  
FIG. 3 is a rear view of the grip of laryngoscopes of FIG. 1.  
FIG. 4 is a left side view of the grip of laryngoscopes of FIG.  
1.  
FIG. 5 is a right side view of the grip of laryngoscopes of  
FIG. 1.  
FIG. 6 is a top view of the grip of laryngoscopes of FIG. 1;  
and,  
FIG. 7 is a bottom view of the grip of laryngoscopes of FIG.  
1.  
The dashed lines illustrate environment that does not form a  
part of the present invention, and no claim is made to the  
material illustrated with dashed lines.

**1 Claim, 6 Drawing Sheets**



(56)

**References Cited**

U.S. PATENT DOCUMENTS

8,702,599 B2 \* 4/2014 De Domenico ..... A61B 1/267  
600/194  
8,715,172 B1 \* 5/2014 Girgis ..... A61B 1/267  
600/188  
D716,942 S \* 11/2014 Eisenkolb ..... D24/138  
D717,142 S \* 11/2014 Jannitto, Jr. .... D8/21  
9,173,545 B2 \* 11/2015 Schoonbaert ..... A61B 1/00052  
D755,032 S \* 5/2016 Martinez ..... D8/61  
2006/0100483 A1 \* 5/2006 Sundet ..... A61B 1/00195  
600/131

OTHER PUBLICATIONS

Karl Storz, "Brite Blade Laryngoscopes," Endoworld AN 12-1  
02-2013-US, pp. 1-20 (Feb. 2013).

Truphatek, "TruLED Long Life Power Handle", pp. 1-2 (Jan. 1,  
2008).

Seidel Medizin, "Larygoscopsystem 'Greenlight II'", p. 1.

\* cited by examiner

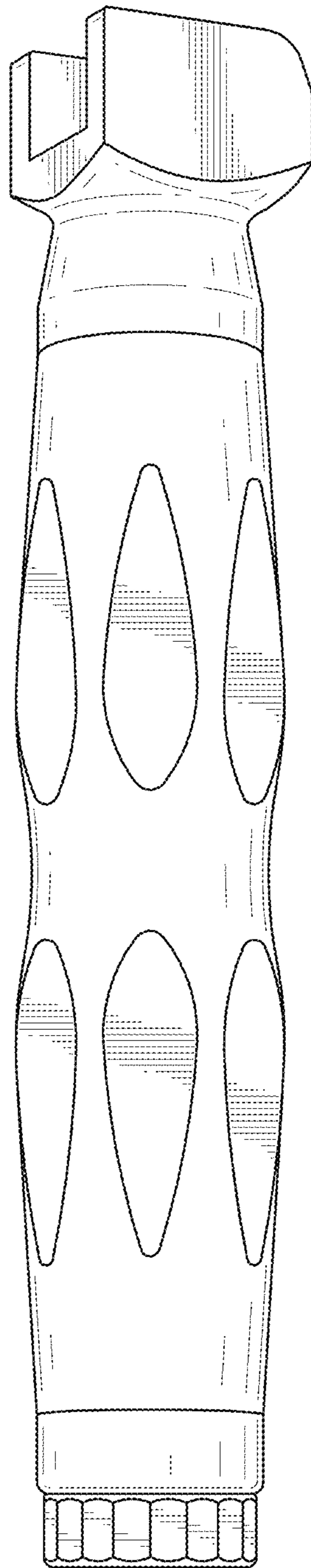


FIG.1

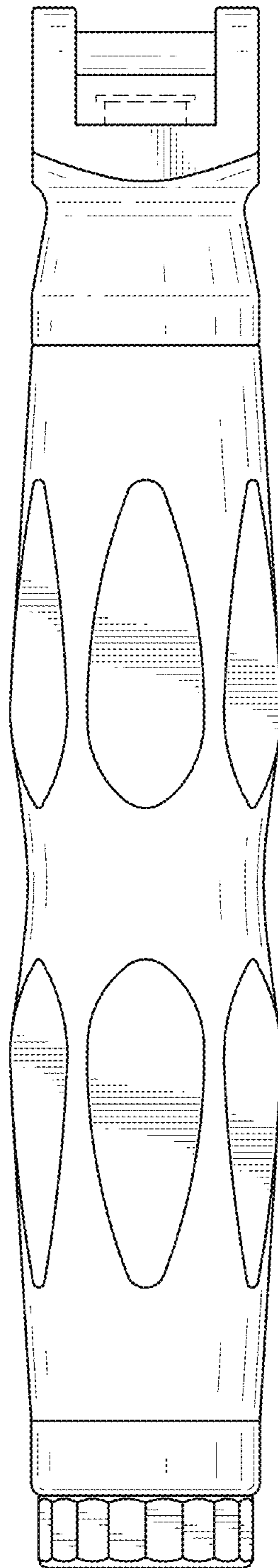


FIG.2

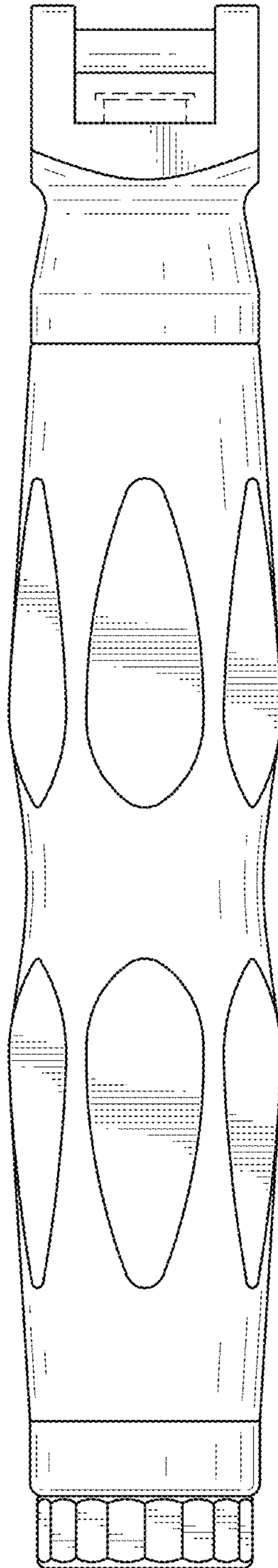


FIG.3

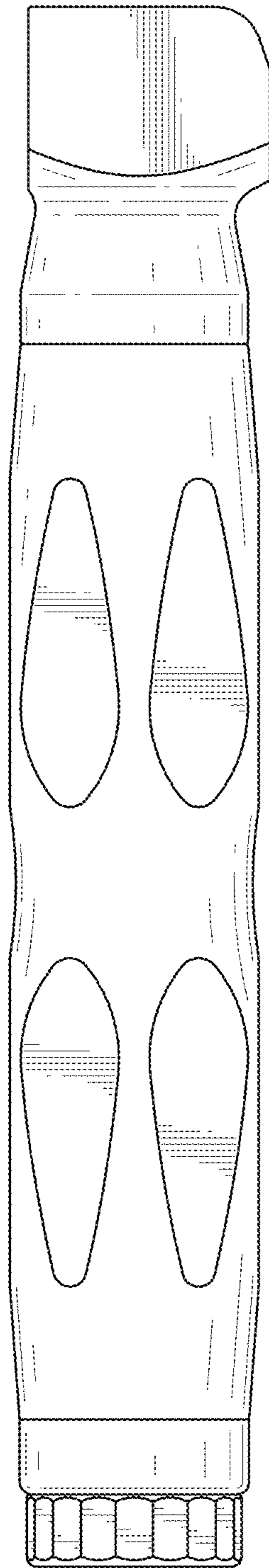


FIG.4

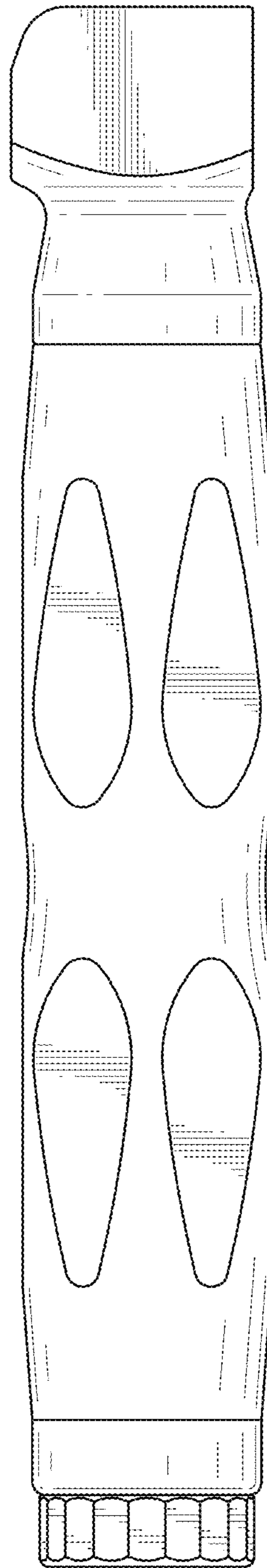


FIG.5



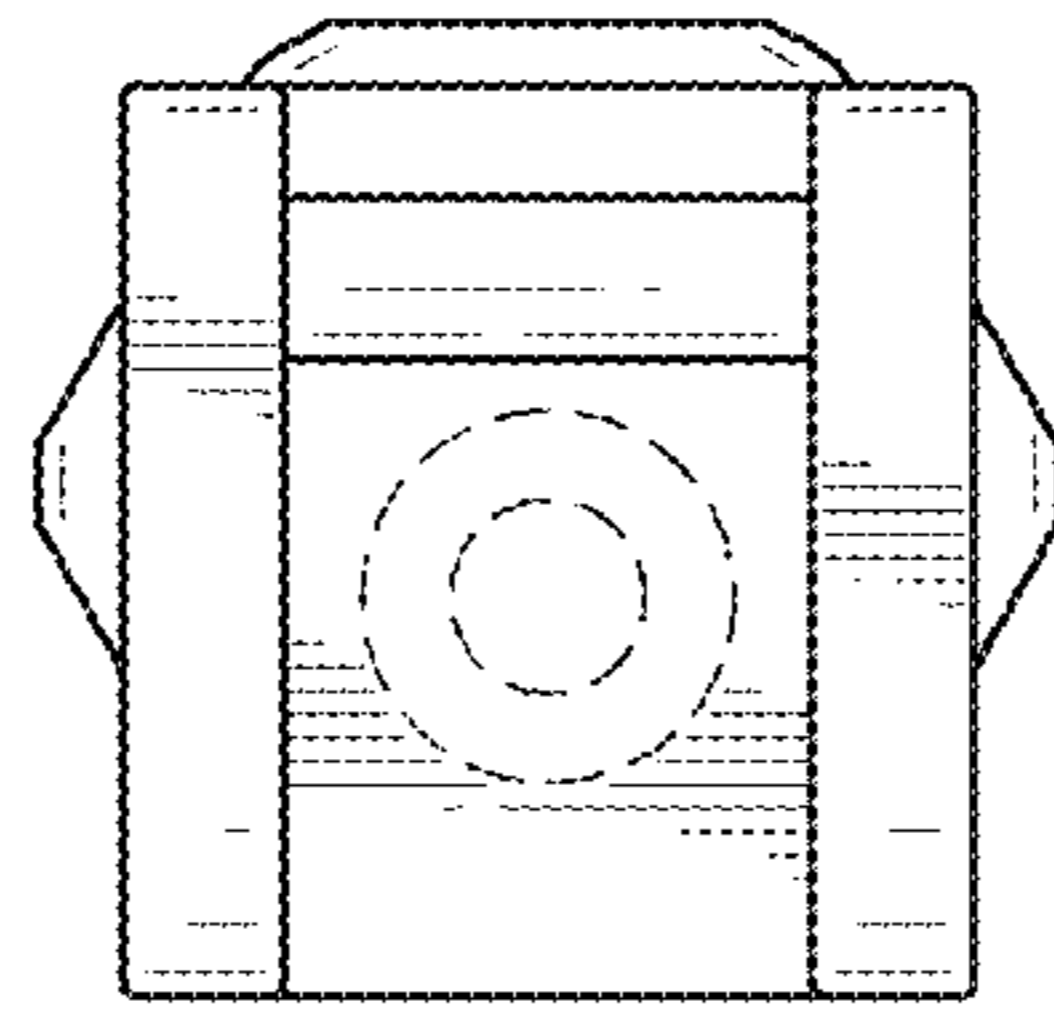


FIG. 6

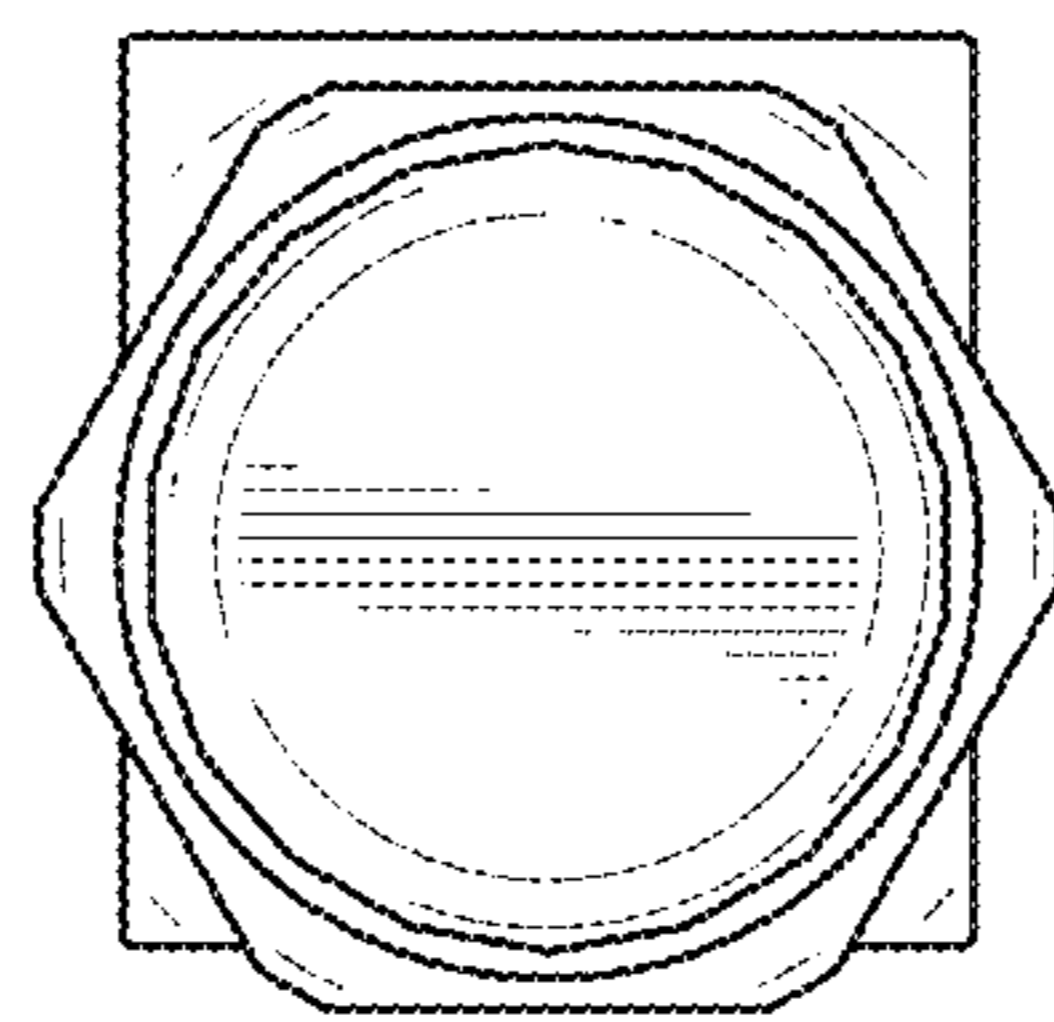


FIG. 7