



US00D782665S

(12) **United States Design Patent**
Mintz

(10) **Patent No.:** **US D782,665 S**
(45) **Date of Patent:** **** Mar. 28, 2017**

(54) **CONNECTOR**

(71) Applicant: **Medline Industries, Inc.**, Northfield, IL (US)
(72) Inventor: **Stuart Mintz**, Glenview, IL (US)
(73) Assignee: **Medline Industries, Inc.**, Northfield, IL (US)

(**) Term: **14 Years**

(21) Appl. No.: **29/480,647**

(22) Filed: **Jan. 28, 2014**

(51) **LOC (10) Cl.** **24-02**

(52) **U.S. Cl.**
USPC **D24/129**

(58) **Field of Classification Search**
USPC D24/127-131, 112-114, 133, 186;
606/181, 185; 604/264, 523-528, 272,
604/187, 158, 164.01-164.11, 181, 184,
604/227; 600/101, 139, 143; 128/200.24,
128/207.14, 207.15
CPC .. A61M 25/065; A61M 5/42; A61M 25/0612;
A61M 25/00; A61M 39/00; A61M 27/00;
A61M 25/0043; A61M 25/0067; A61M
25/0097; A61F 2/958

See application file for complete search history.

(56) **References Cited**

U.S. PATENT DOCUMENTS

D369,408 S *	4/1996	Laun	D24/133
5,569,286 A *	10/1996	Peckham	A61B 5/1411
				604/192
D395,502 S *	6/1998	Deily	D24/112
D531,310 S *	10/2006	Wolter	D24/133
D595,847 S *	7/2009	Miller	D24/130
D631,542 S *	1/2011	DeGross	D24/129

(Continued)

OTHER PUBLICATIONS

“Tubing and Suction Handles” product brochure by Cardinal Health showing Maxi-Grip Connector, connectors presently believed to have been publicly available before Jan. 28, 2014, photo available at <<http://www.cardinalhealth.com/content/dam/corp/web/documents/catalog/CARDINAL-HEALTH.Fluid-Management-Medi-Vac-Suction-Tubing-and-Handles-Brochure.2PERI15-247867.pdf>>, 2 pages.

(Continued)

Primary Examiner — David Muller

(74) *Attorney, Agent, or Firm* — Fitch, Even, Tabin & Flannery LLP

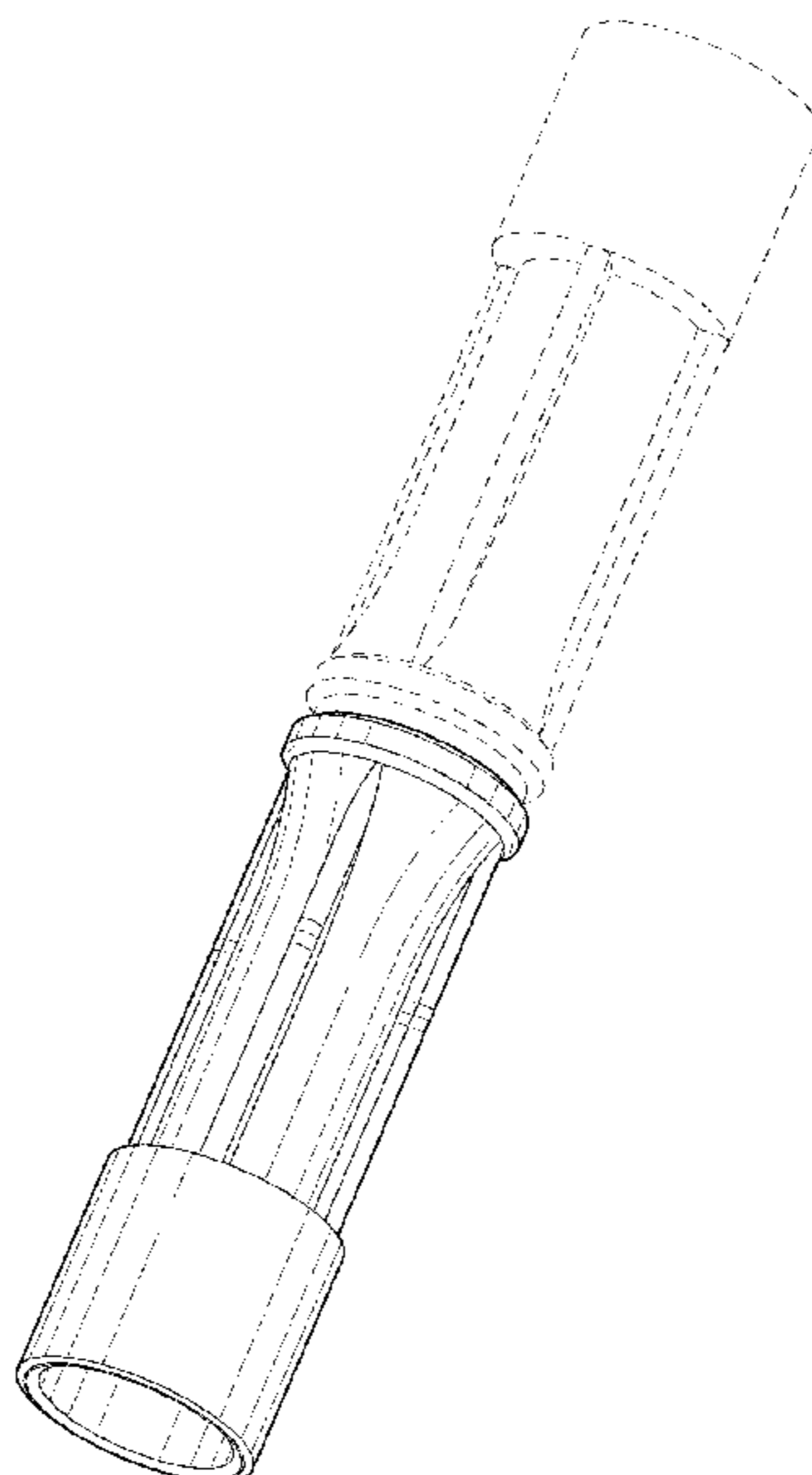
(57) **CLAIM**

I claim the ornamental design for a connector, as shown and described.

DESCRIPTION

FIG. 1 is a perspective view showing a first embodiment of a connector in accordance with my new design;
FIG. 2 is a front elevational view of the connector of FIG. 1, the rear elevational view, as well as left and right side elevational views as rotated 90 degrees relative to the front elevational view, being identical thereto;
FIG. 3 is a side elevational view rotated 45 degrees relative to the front elevational view of FIG. 2, the opposing side elevational view rotated 45 degrees relative to the rear elevational view being identical thereto;
FIG. 4 is a bottom plan view of the connector of FIG. 1; and, FIG. 5 is a top plan view of the connector of FIG. 1.
The broken lines depict unclaimed environmental subject matter and form no part of the claimed design.

1 Claim, 2 Drawing Sheets



(56)

References Cited

U.S. PATENT DOCUMENTS

8,317,812 B2 * 11/2012 Lum A61B 5/1411
600/583
D678,522 S * 3/2013 Gustavsson D24/130
D714,935 S * 10/2014 Nishioka D24/130
D719,650 S * 12/2014 Arinobe D24/130
D726,122 S * 4/2015 Su D13/154
D726,123 S * 4/2015 Su D13/154
D732,664 S * 6/2015 Woehr D24/130

OTHER PUBLICATIONS

“Medi-Vac® Clear Nonconductive Tubing” from Cardinal Health with Maxi-Grip Connectors, connectors presently believed to have been publicly available before Jan. 28, 2014, photo available at <<http://www.medline.com/search/product?Ntt=N5100&product=%2Fsearch%2Fproduct%3FNtt%3DN5100&xref=%2Fsearch%2Fxref%3Fquestion%3DN5100&contentsearch=%2Fsearch%2Fcontent%3FNtt%3DN5100>>, 1 page.

* cited by examiner

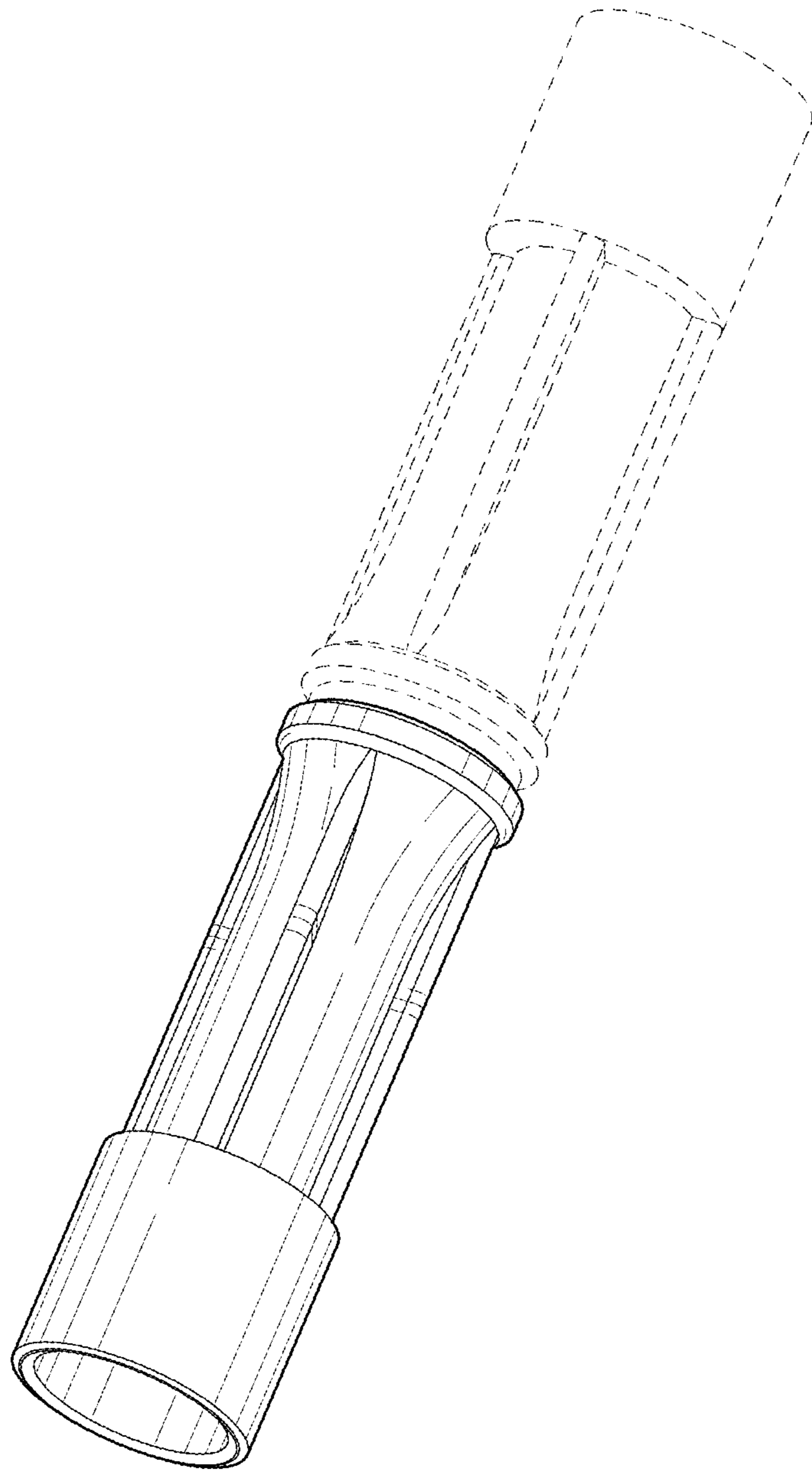


FIG. 1

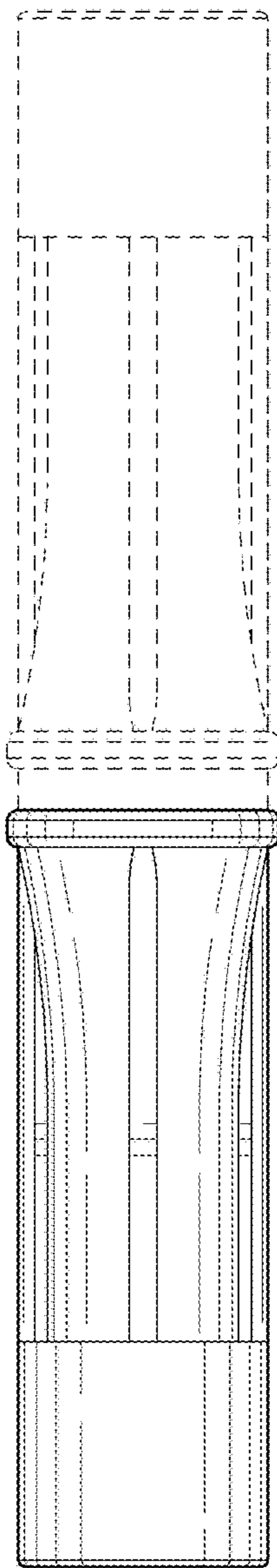


FIG. 2

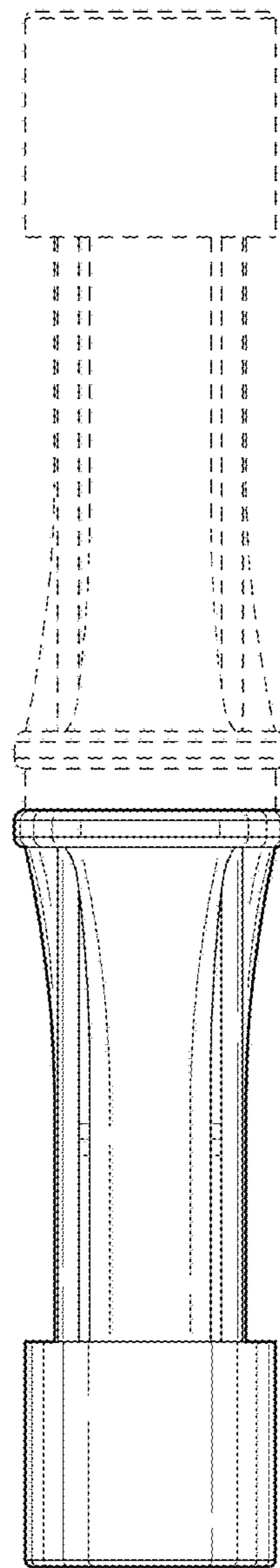


FIG. 3

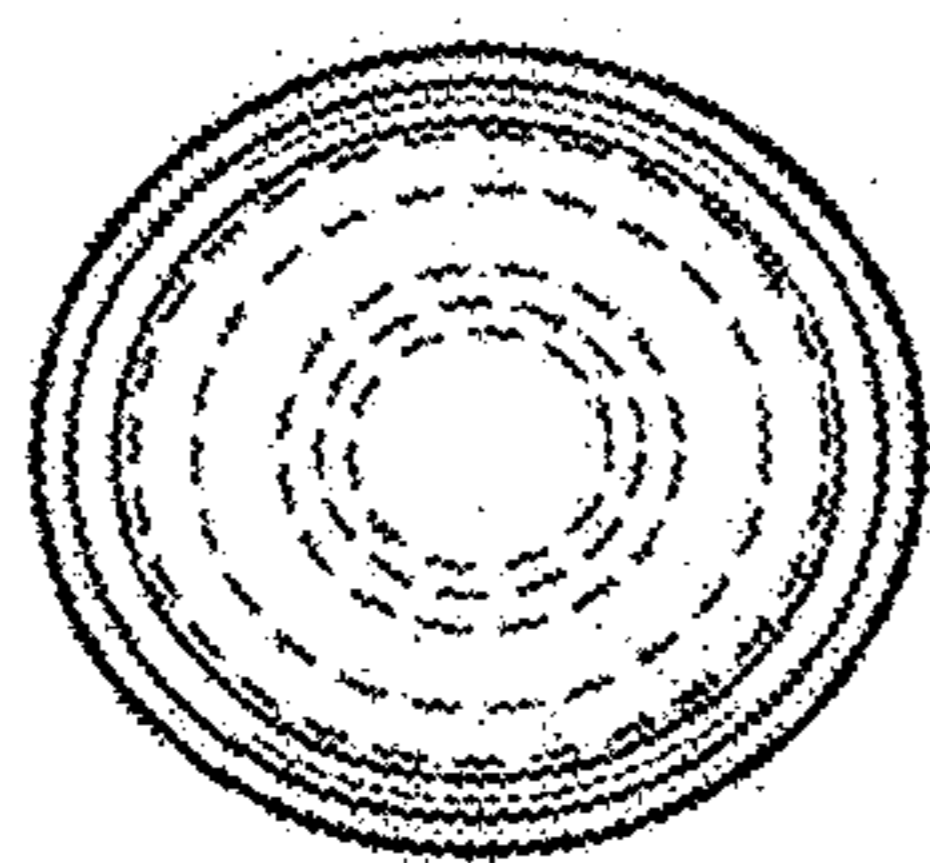


FIG. 4

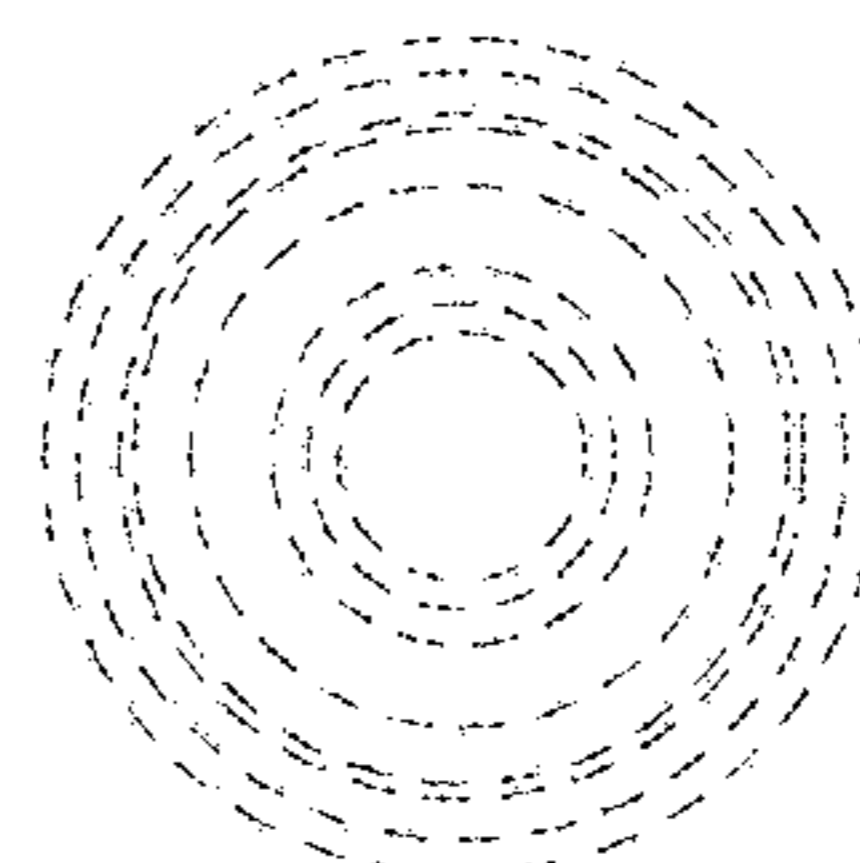


FIG. 5