



US00D782664S

(12) **United States Design Patent**
Siegel

(10) **Patent No.:** **US D782,664 S**

(45) **Date of Patent:** **** Mar. 28, 2017**

- (54) **REUSABLE CARRYING HANDLE**
- (71) Applicant: **Fresenius Medical Care Holdings, Inc.**, Waltham, MA (US)
- (72) Inventor: **Judith G. Siegel**, Arlington, MA (US)
- (73) Assignee: **Fresenius Medical Care Holdings, Inc.**, Waltham, MA (US)

- 3,482,867 A * 12/1969 Curtis A47J 45/10
220/758
- 3,709,545 A * 1/1973 Oltmanns B65D 71/50
206/150
- D229,364 S * 11/1973 Juhlin D34/6
- 3,949,663 A * 4/1976 Eckerle B30B 9/3032
100/229 A
- 3,997,072 A * 12/1976 Guth B65F 1/06
100/229 A
- 4,244,498 A * 1/1981 Copp A43B 5/0425
294/162

(**) Term: **15 Years**

(Continued)

(21) Appl. No.: **29/539,398**

Primary Examiner — Cynthia Ramirez

(22) Filed: **Sep. 14, 2015**

(74) *Attorney, Agent, or Firm* — Kilyk & Bowersox, P.L.L.C.

(51) **LOC (10) Cl.** **24-02**

(57) **CLAIM**

(52) **U.S. Cl.**
USPC **D24/128; D8/300**

The ornamental design for a reusable carrying handle, as shown and described.

(58) **Field of Classification Search**
USPC D34/28, 11, 10, 5, 6; D32/53, 54;
D8/300, 306, 310; D9/434, 443, 435,
D9/454, 529; D3/26; D17/22; 38/102.1,
38/103.2, 102.91; 220/755, 760, 764,
220/773, 902; D24/128, 227, 231, 224
CPC A47G 19/2205; A47J 45/061; A47J 45/08;
A47J 45/065; B65D 25/32; B65D
2525/289; A61B 10/007

DESCRIPTION

See application file for complete search history.

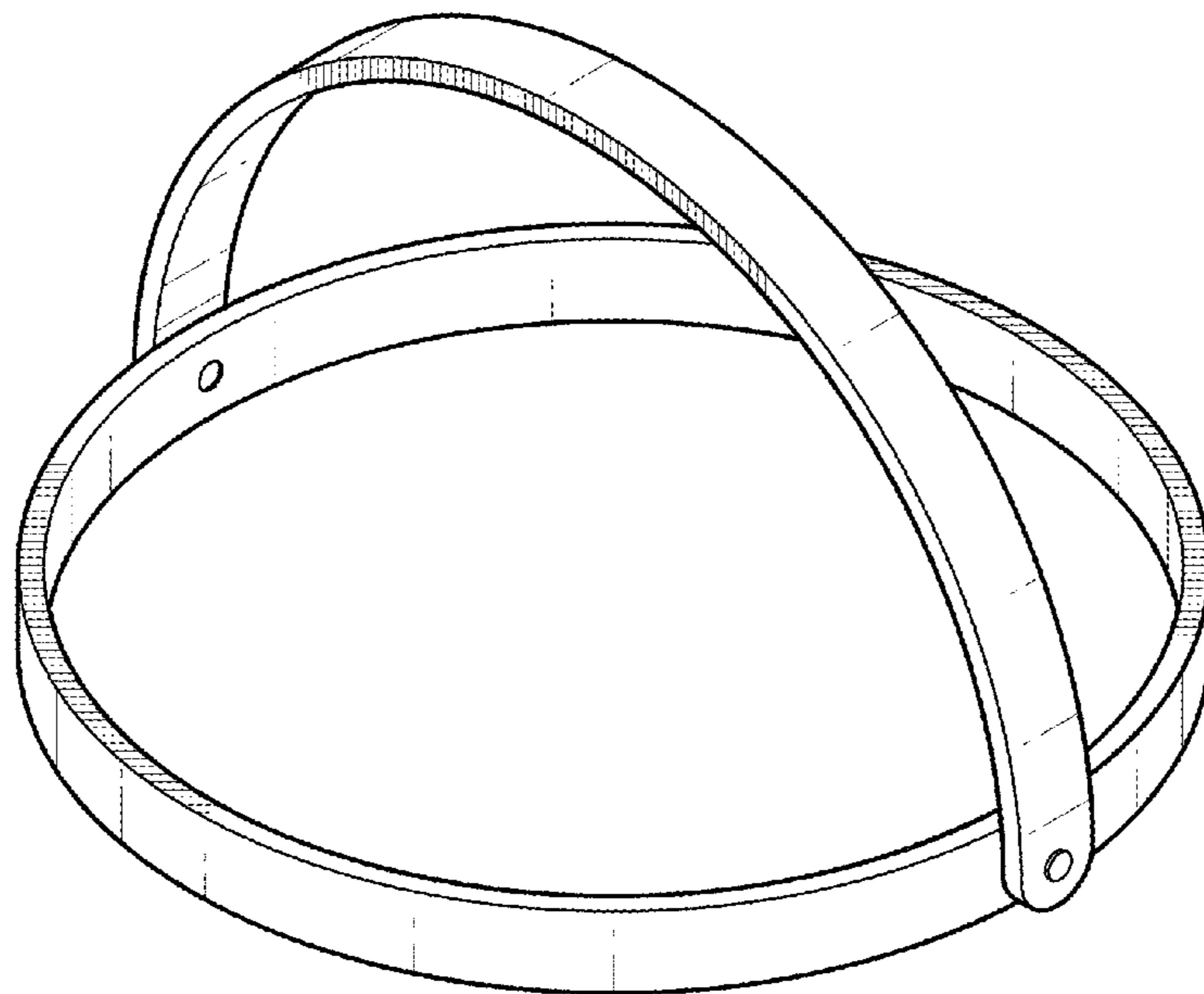
FIG. 1 is a right, top perspective view of a reusable carrying handle in a raised configuration showing my new design; FIG. 2 is a right, top perspective view showing the handle in a lowered configuration; FIG. 3 is a front view of my design shown in FIG. 1, a back view being a mirror image thereof; FIG. 4 is a right side view of my design shown in FIG. 1, a left side view being a mirror image thereof; FIG. 5 is a top, plan view of my design shown in FIG. 1; FIG. 6 is a bottom view of my design shown in FIG. 1; and, FIG. 7 is a right, bottom perspective view showing the handle in a raised configuration in an environment of use. The broken line showing of a sorbent cartridge in FIG. 7 is included for the purpose of illustrating environment and forms no part of the claimed design.

(56) **References Cited**

U.S. PATENT DOCUMENTS

- 334,922 A * 1/1886 Alston B65D 25/32
220/757
- 1,539,201 A * 5/1925 Ottow B65D 23/108
294/31.2
- 2,527,746 A * 10/1950 Lawrence A01D 46/082
248/100

1 Claim, 5 Drawing Sheets



(56)

References Cited

U.S. PATENT DOCUMENTS

5,082,219 A * 1/1992 Blair B65F 1/1415
 141/390
 5,102,076 A * 4/1992 North A47L 19/00
 211/DIG. 1
 D357,780 S * 4/1995 Breen D34/10
 D364,256 S * 11/1995 Breen D34/10
 5,558,840 A * 9/1996 Jones A61B 10/007
 215/395
 D386,867 S * 11/1997 Clark D2/627
 D408,913 S * 4/1999 Jones D24/227
 6,086,022 A * 7/2000 Dalton B65F 1/1415
 248/101
 6,257,440 B1 * 7/2001 Perkins B65D 25/32
 220/755
 D449,685 S * 10/2001 Morrison D24/128
 D484,660 S * 12/2003 Robbins D34/6
 D654,646 S * 2/2012 Williams D34/6
 8,465,440 B1 * 6/2013 Grayson A61B 10/007
 600/573
 D697,282 S * 1/2014 James D34/5
 9,204,745 B2 * 12/2015 Bateman A47G 23/0216
 D759,927 S * 6/2016 Del Rosario Roy D32/53
 2008/0173655 A1 * 7/2008 Navarro B65D 21/0224
 220/754
 2012/0160859 A1 * 6/2012 Bateman A47G 23/0216
 220/737
 2014/0248082 A1 * 9/2014 Findley E01C 11/005
 404/79

* cited by examiner

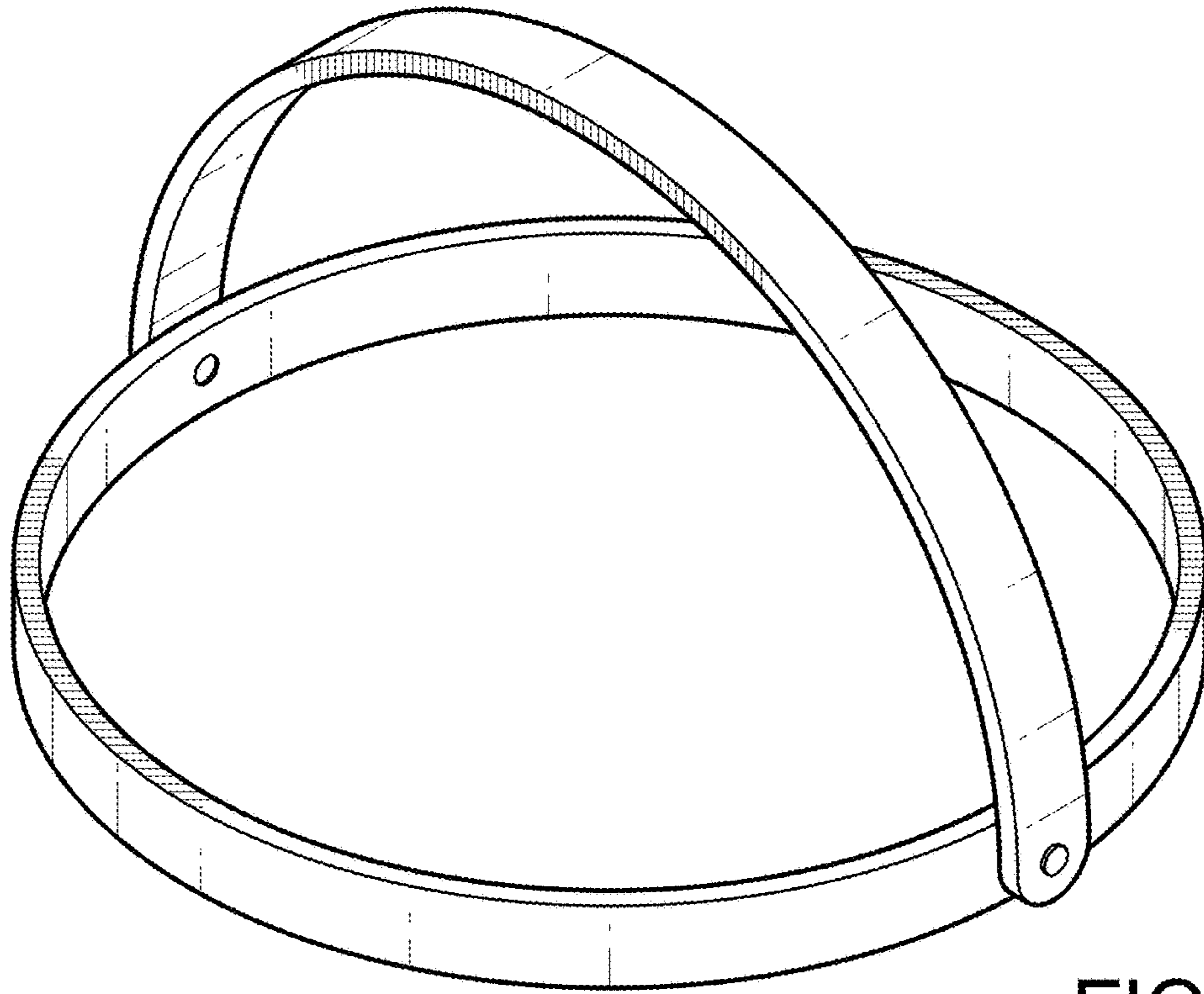


FIG. 1

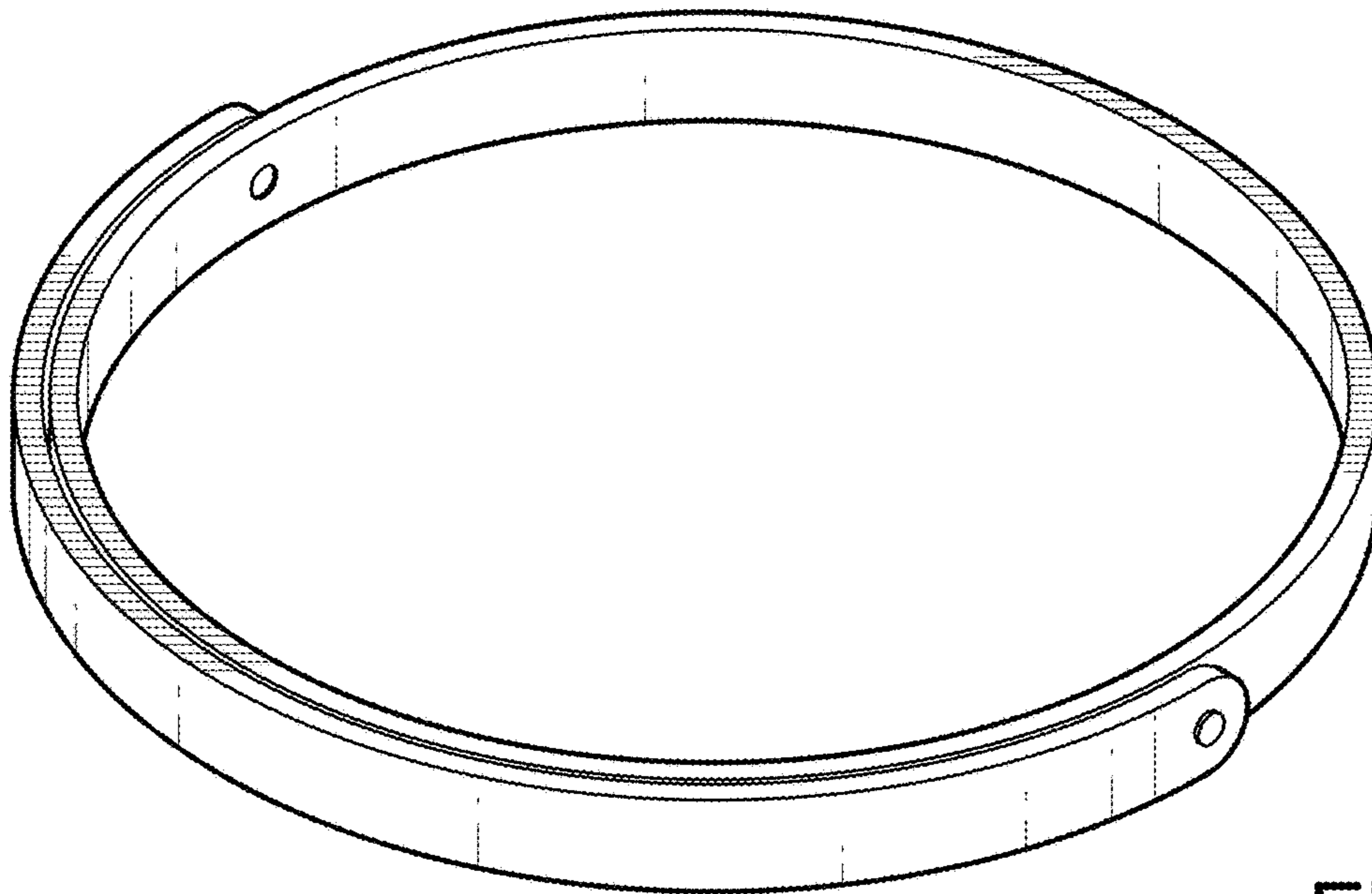


FIG. 2

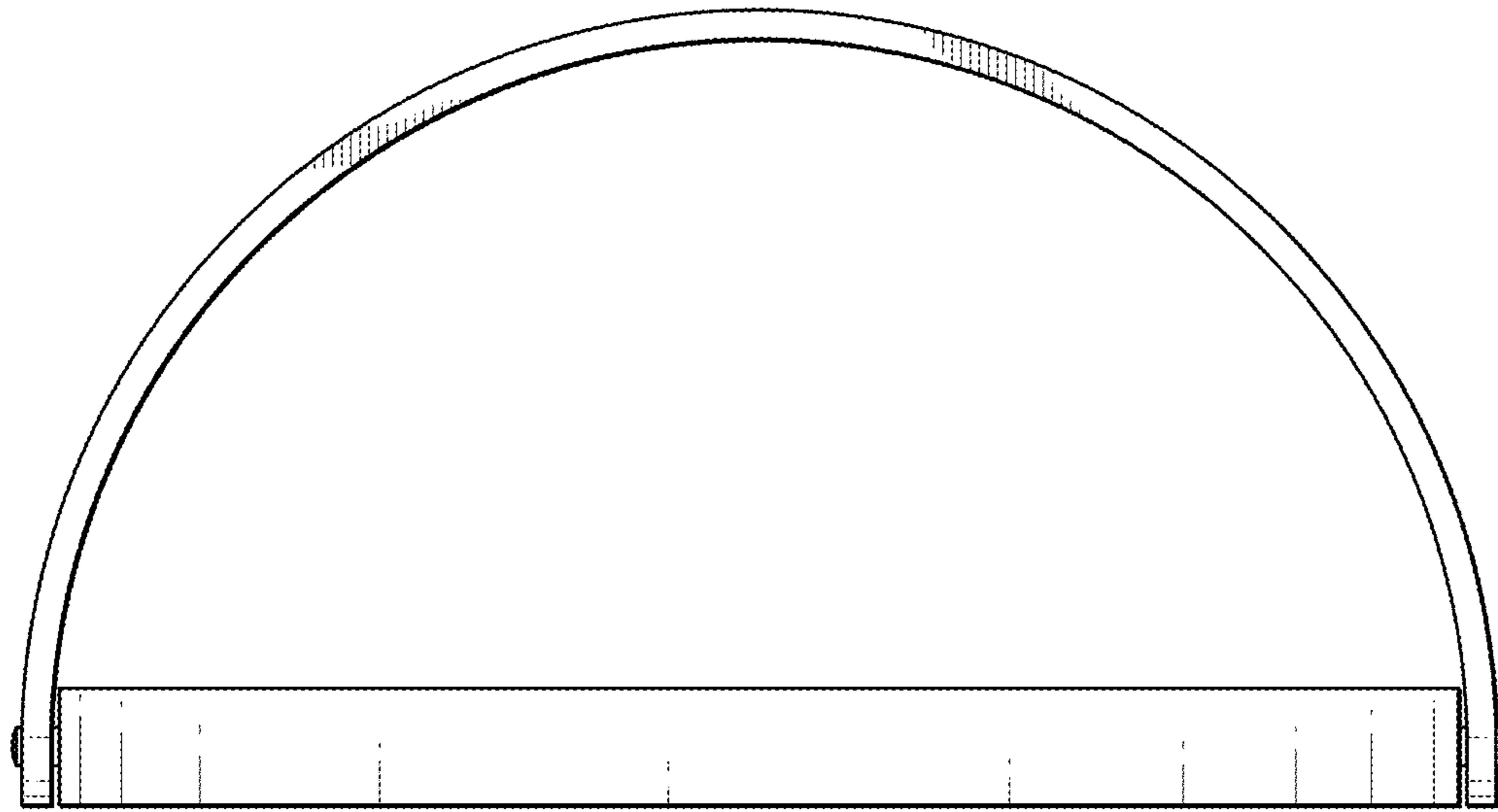


FIG. 3

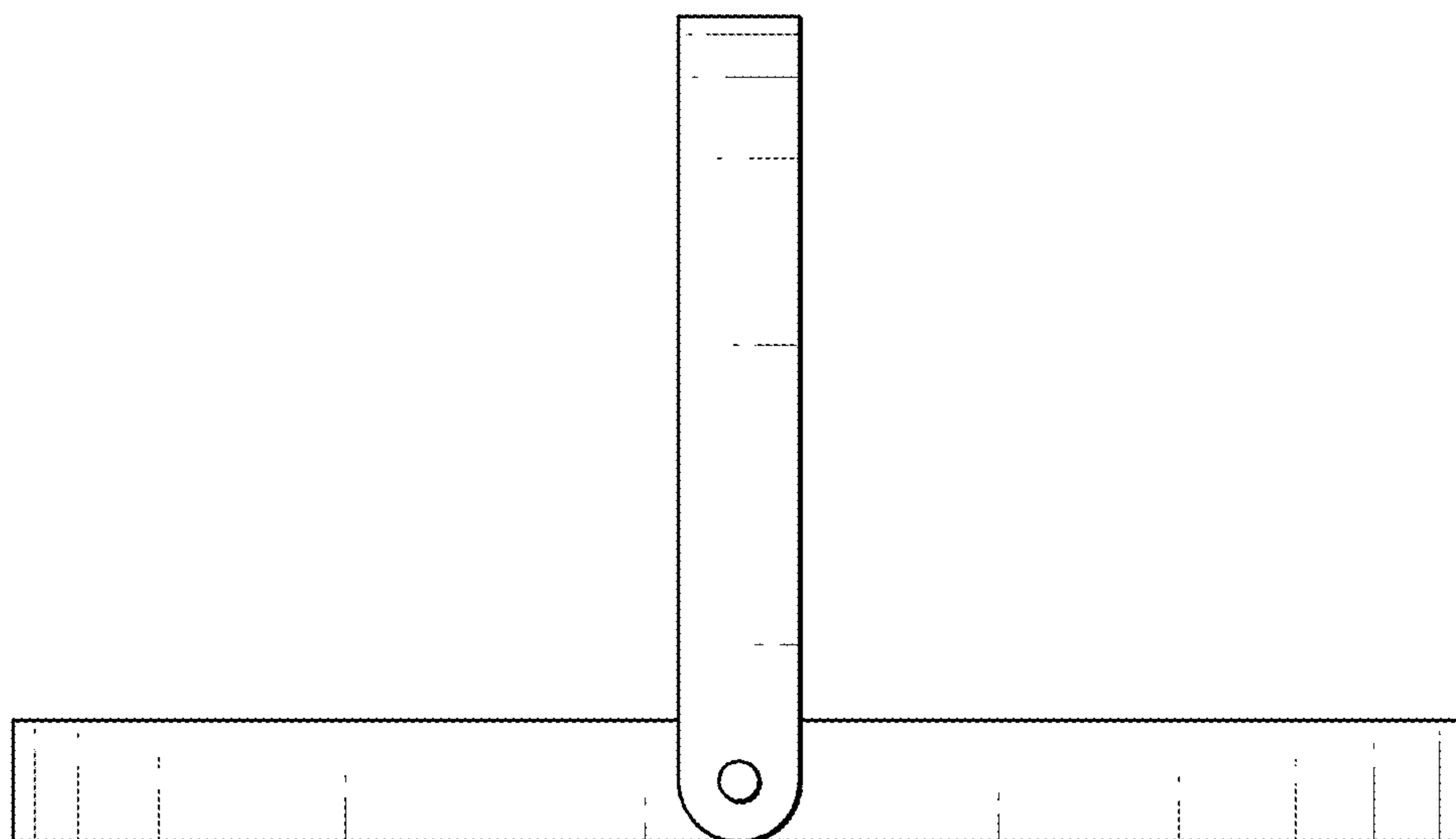


FIG. 4

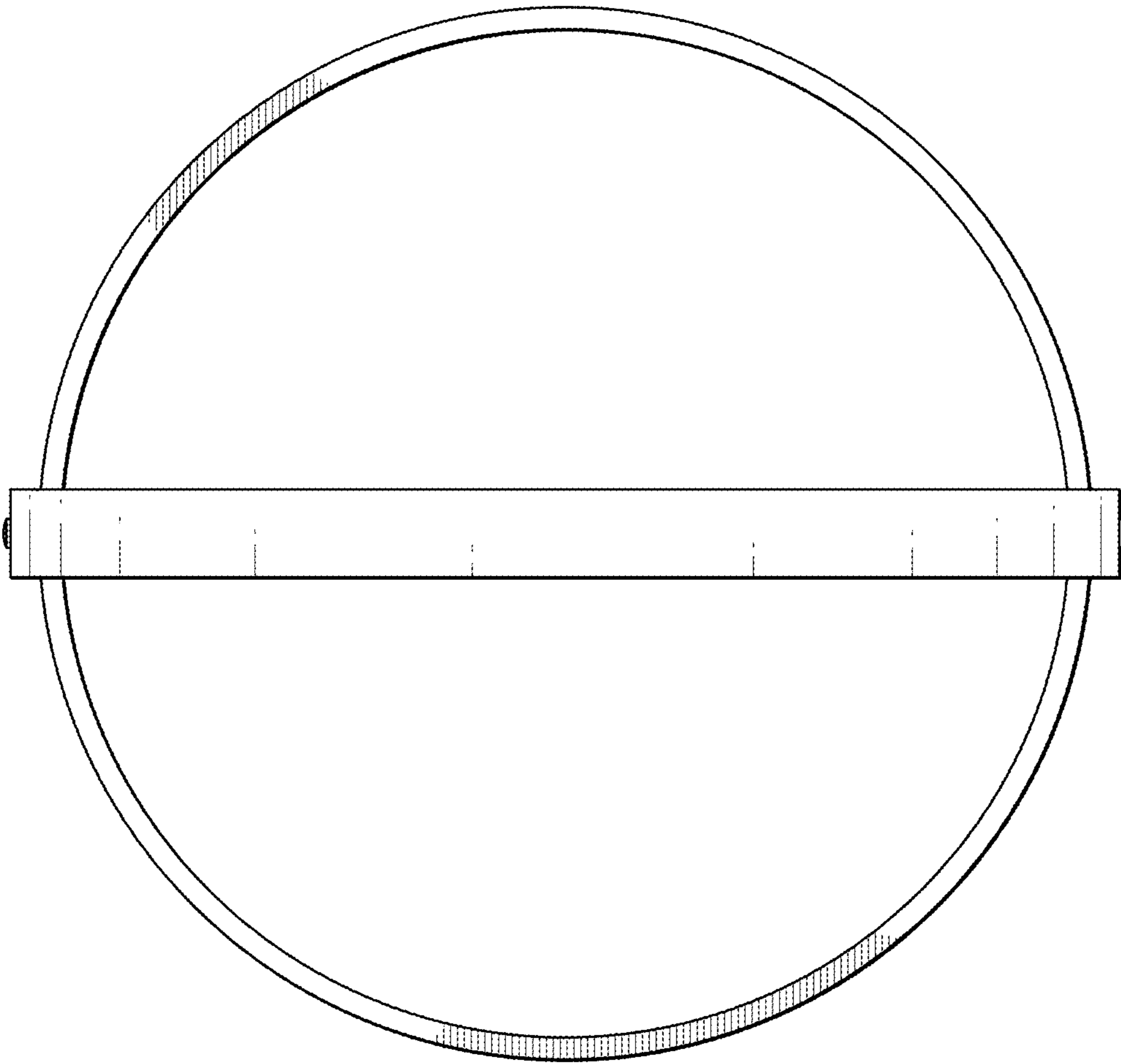


FIG. 5

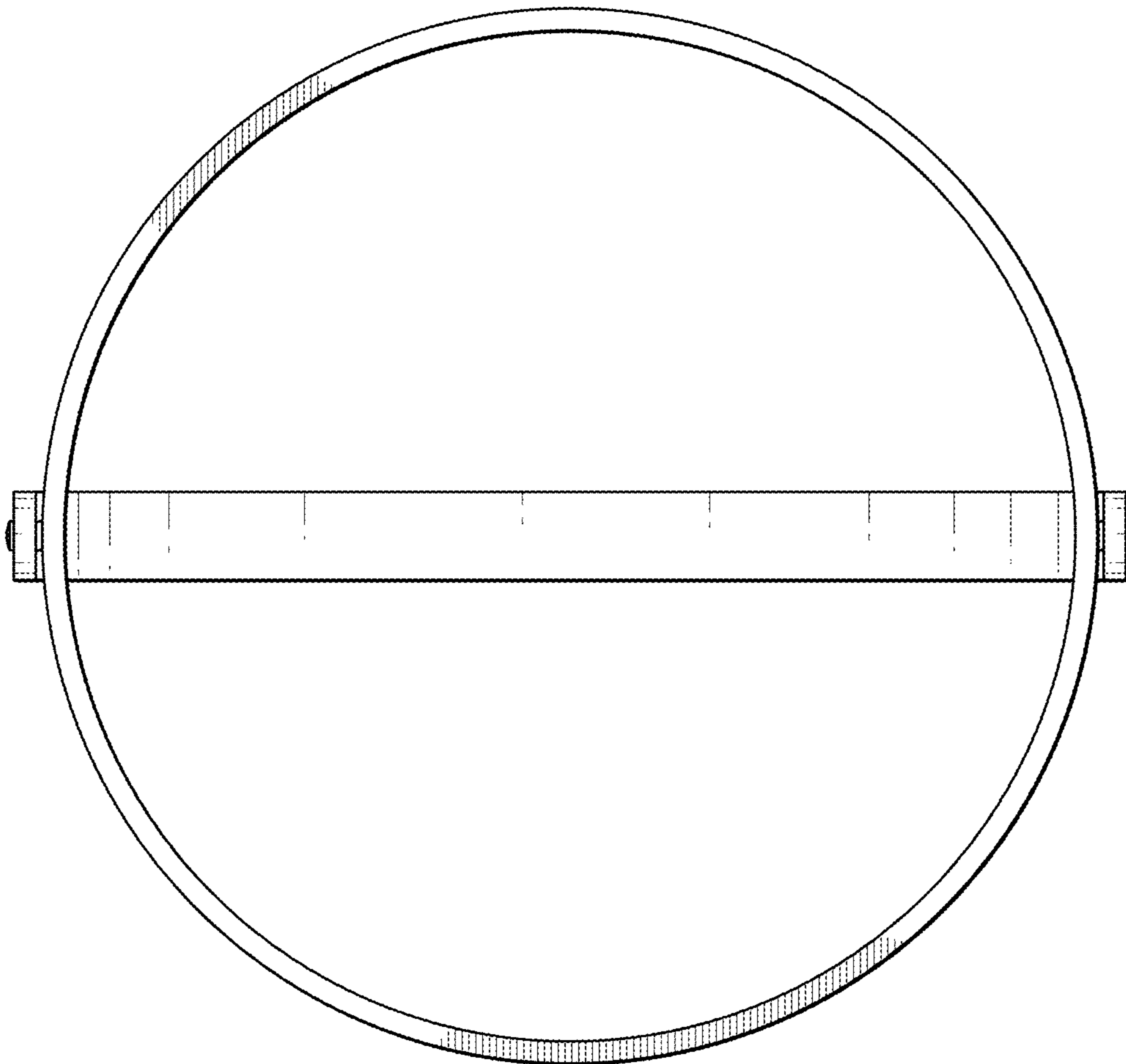


FIG. 6

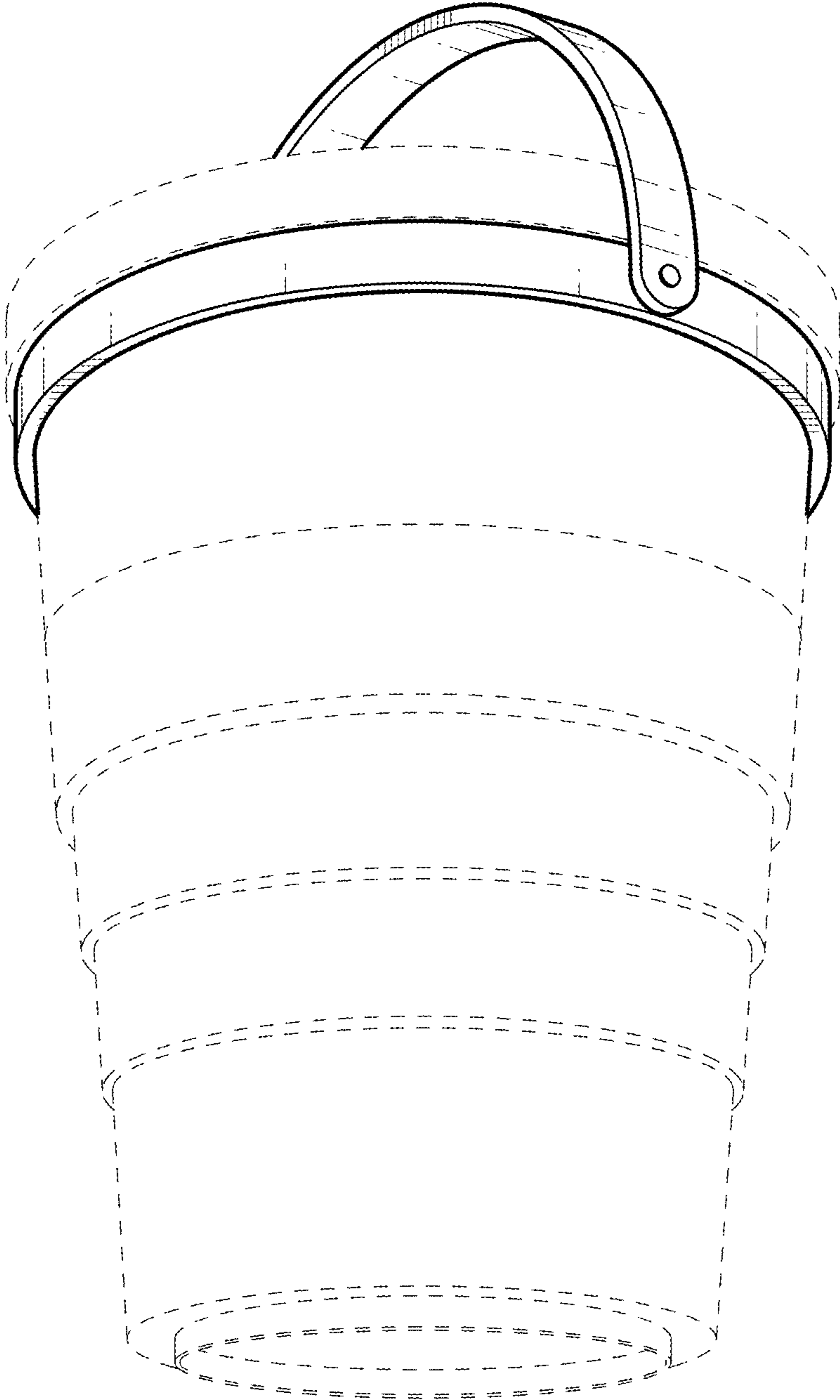


FIG. 7