

US00D782660S

(12) **United States Design Patent**
Tsujimoto

(10) **Patent No.:** **US D782,660 S**
(45) **Date of Patent:** **** Mar. 28, 2017**

(54) **URINAL**

DESCRIPTION

- (71) Applicant: **TOKAI ENDLESS CO., LTD.**, Aichi (JP)
- (72) Inventor: **Masato Tsujimoto**, Aichi (JP)
- (73) Assignee: **TOKAI ENDLESS CO., LTD.**, Aichi (JP)
- (**) Term: **15 Years**
- (21) Appl. No.: **29/531,092**
- (22) Filed: **Jun. 23, 2015**
- (51) **LOC (10) Cl.** **24-02**
- (52) **U.S. Cl.**
USPC **D24/122**
- (58) **Field of Classification Search**
USPC D24/121-123, 117, 224; D23/276, 295,
D23/302, 274, 309, 200; 600/573, 574;
(Continued)

FIG. 1 is a perspective view from above of a urinal, showing my new design;
 FIG. 2 is another perspective view from above thereof;
 FIG. 3 is a perspective view from below thereof;
 FIG. 4 is another perspective view from below thereof;
 FIG. 5 is a front view thereof;
 FIG. 6 is a rear view thereof;
 FIG. 7 is a left side view thereof,
 FIG. 8 is a right side view thereof;
 FIG. 9 is a top view thereof;
 FIG. 10 is a bottom view thereof;
 FIG. 11 is another perspective view thereof;
 FIG. 12 is a cross-sectional view of a connection between a tube and a bottle in FIG. 7;
 FIG. 13 is a cross-sectional view of a connection between the tube and the bottle in FIG. 5;
 FIG. 14 is a perspective view of the bottle in FIG. 1;
 FIG. 15 is a perspective view of a cup in FIG. 1;
 FIG. 16 is a perspective view of the bottle in FIG. 4; and,
 FIG. 17 is a perspective view of the cup in FIG. 4.

The urinal comprises a cup for receiving urine, a bottle for collecting the urine, and a tube for connecting the cup and the bottle. The cup shown in broken lines depicts environmental structure only and form no part of the claimed design. The bottle, except a connector to connect the bottle to the tube is made of a transparent material. The tube include an outer tube and an inner tube inside the outer tube, both tubes are also made of a transparent material. The outer tube is provided to connect the cup and bottle, while the inner tube is a tube in which the urine flows from the cup to the bottle.

(56) **References Cited**

U.S. PATENT DOCUMENTS

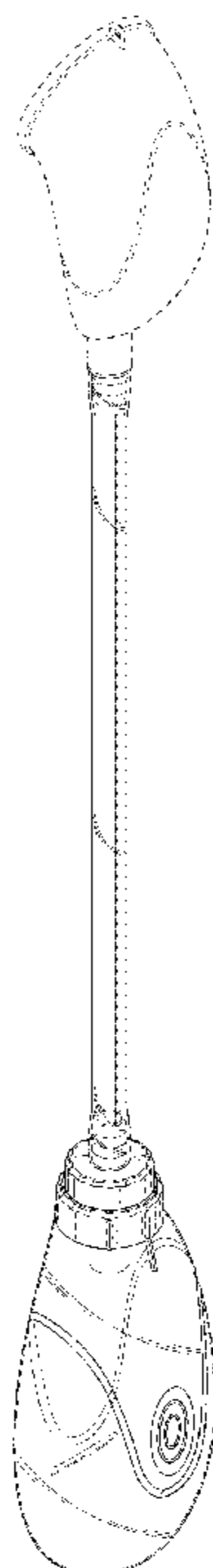
- D319,698 S * 9/1991 Arioka D24/117
 - D343,447 S * 1/1994 Thaler D23/295
- (Continued)

Primary Examiner — David Muller
 (74) *Attorney, Agent, or Firm* — McDermott Will & Emery LLP

(57) **CLAIM**

The ornamental design for a urinal, as shown and described.

1 Claim, 17 Drawing Sheets



(58) **Field of Classification Search**

USPC 604/329, 317, 318, 334; 4/450-460,
4/144.1-144.4, DIG. 5
CPC A61G 9/00; A61G 9/006; A61G 9/003
See application file for complete search history.

(56) **References Cited**

U.S. PATENT DOCUMENTS

D381,965 S *	8/1997	Atkinson	D24/108
6,340,038 B1 *	1/2002	Ingram	B67C 11/02 141/333
D499,481 S *	12/2004	Laviavant	D24/122
6,908,441 B1 *	6/2005	Bernard	A61B 10/007 600/574
7,166,090 B2 *	1/2007	Marsden	A61M 35/003 604/290
D594,119 S *	6/2009	Berberich	D24/108
D604,173 S *	11/2009	Gallo	D24/108
8,069,500 B2 *	12/2011	Seskin	A61G 9/006 4/144.1
D667,554 S *	9/2012	Casabonne	D24/117
D692,998 S *	11/2013	Broberg	D24/108
D708,318 S *	7/2014	Hsu	D24/117

* cited by examiner

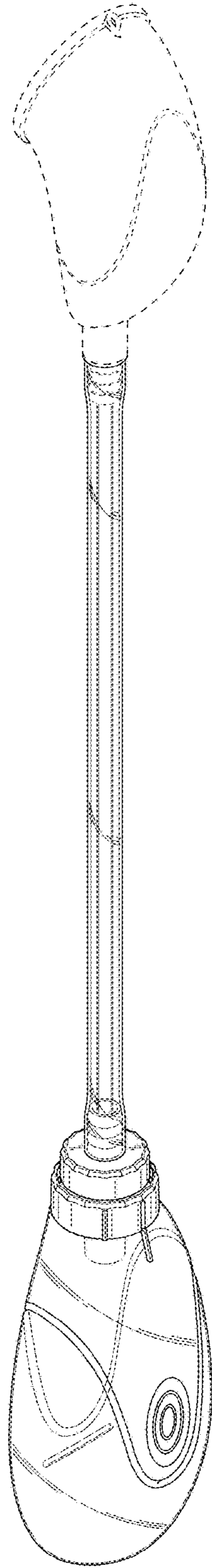


FIG. 1

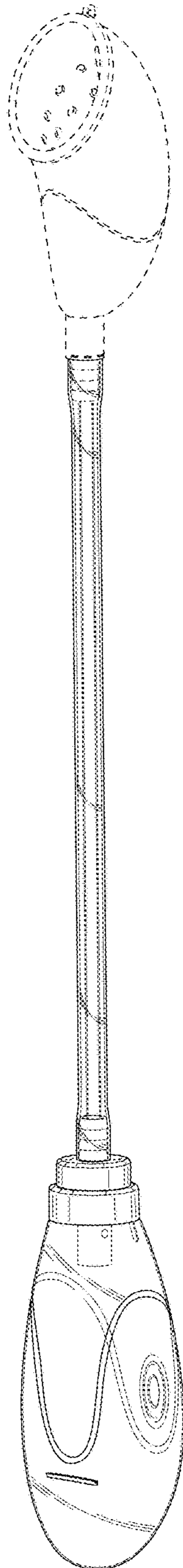


FIG. 2

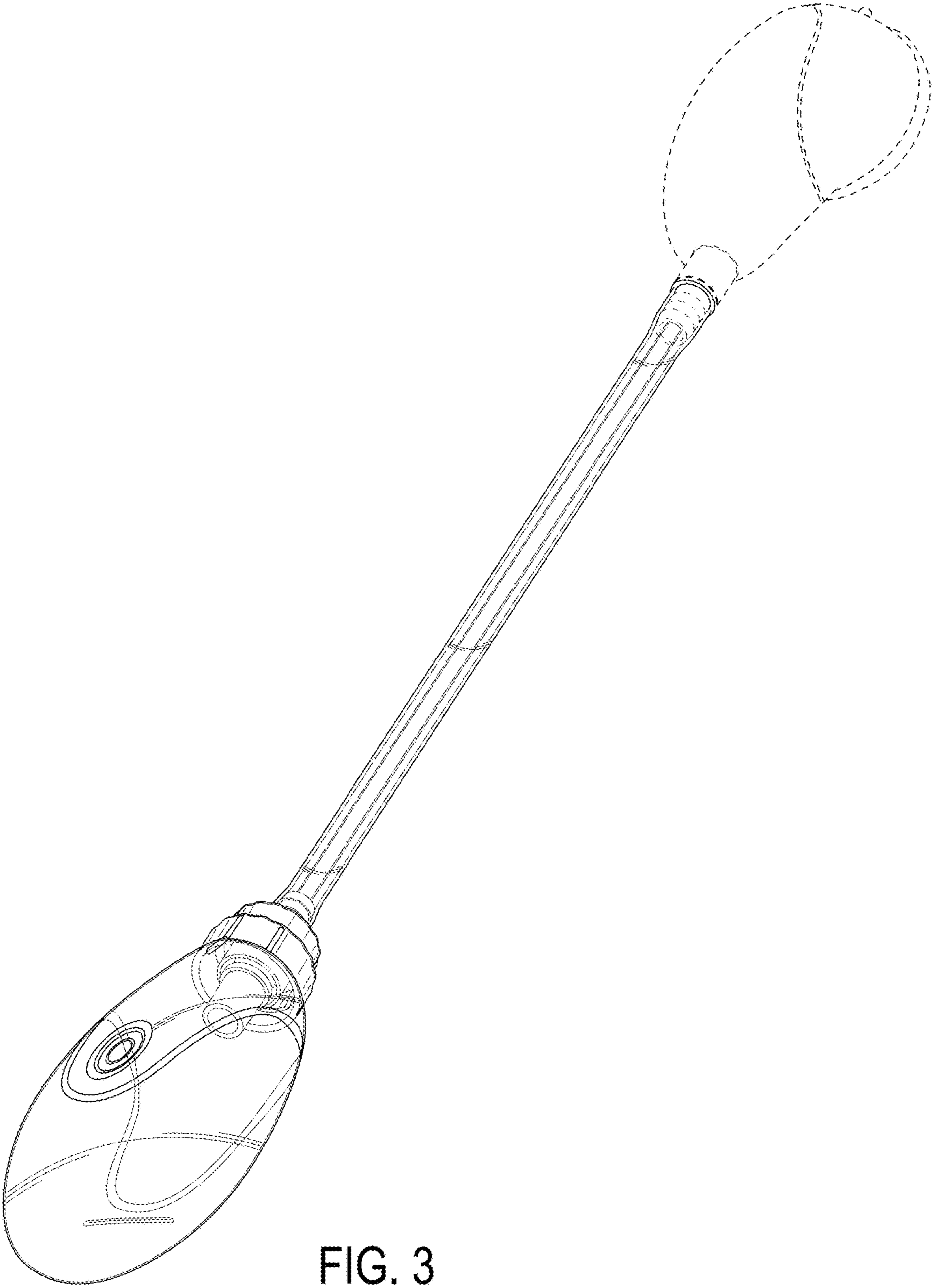


FIG. 3

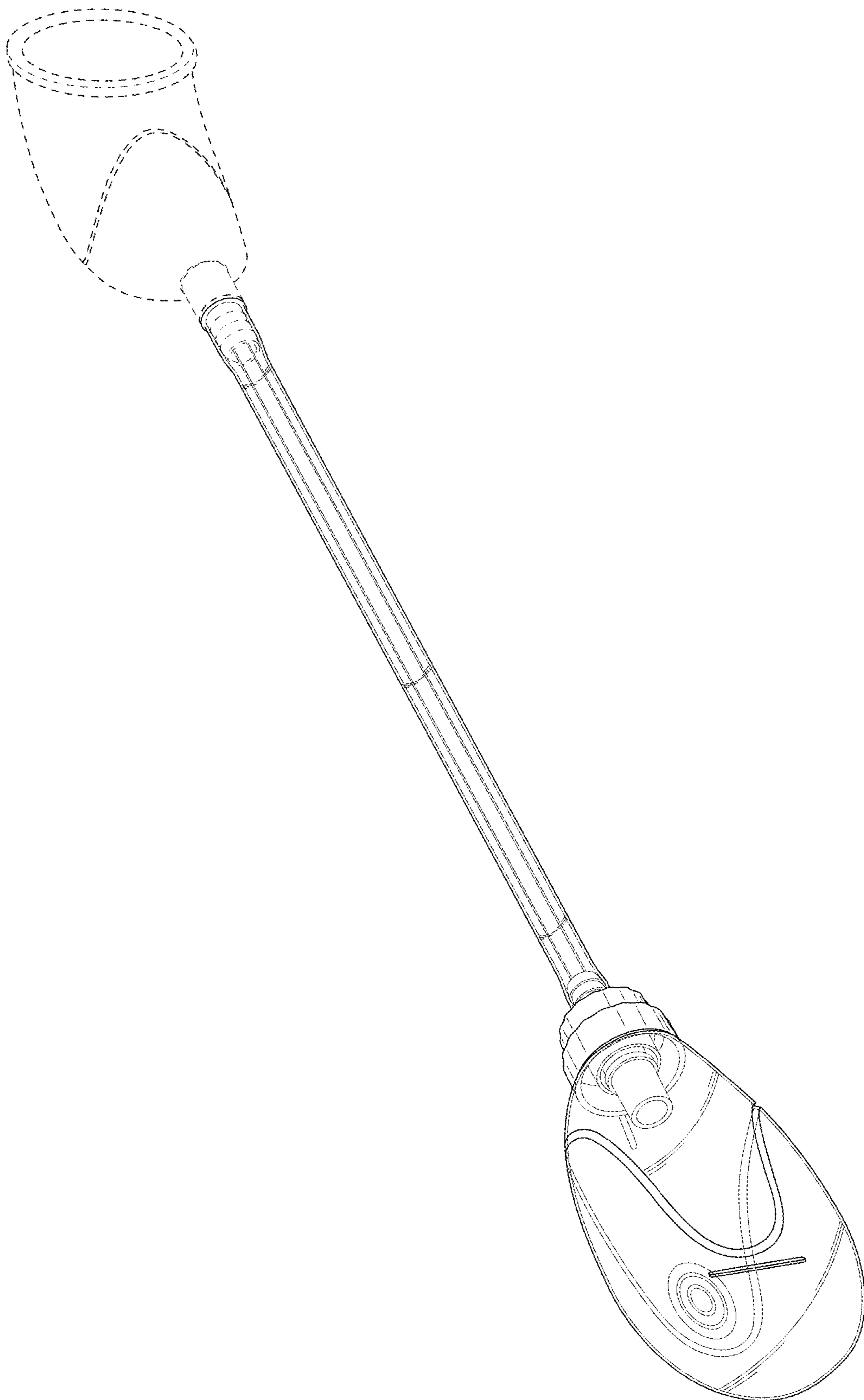


FIG. 4

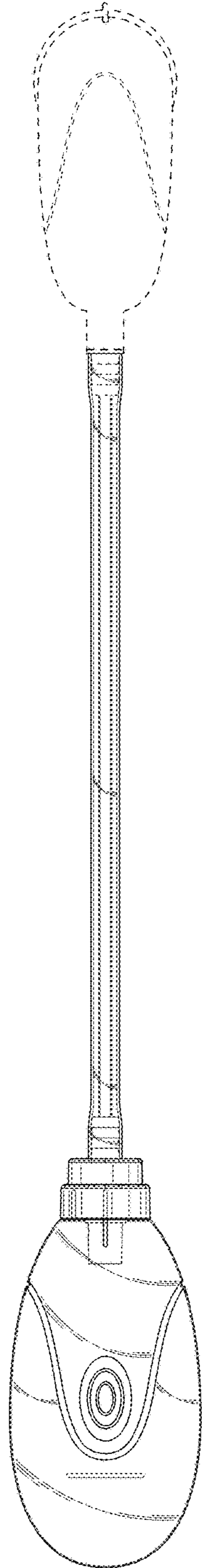


FIG. 5

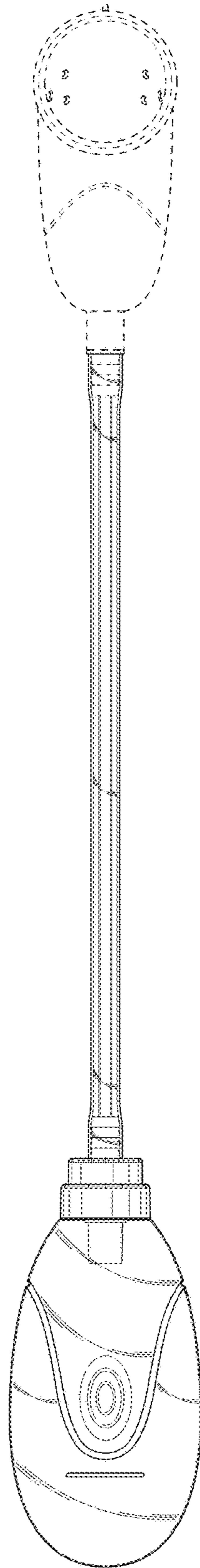


FIG. 6

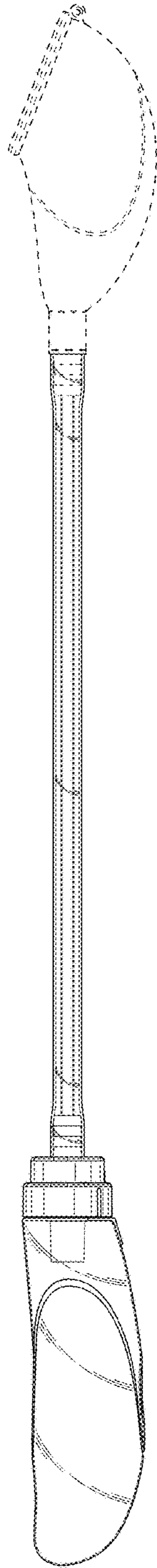


FIG. 7

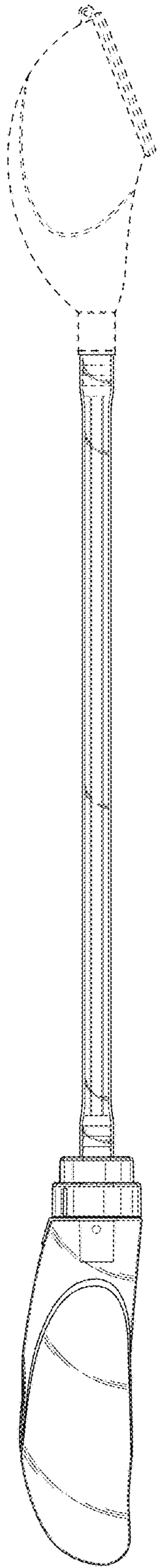


FIG. 8

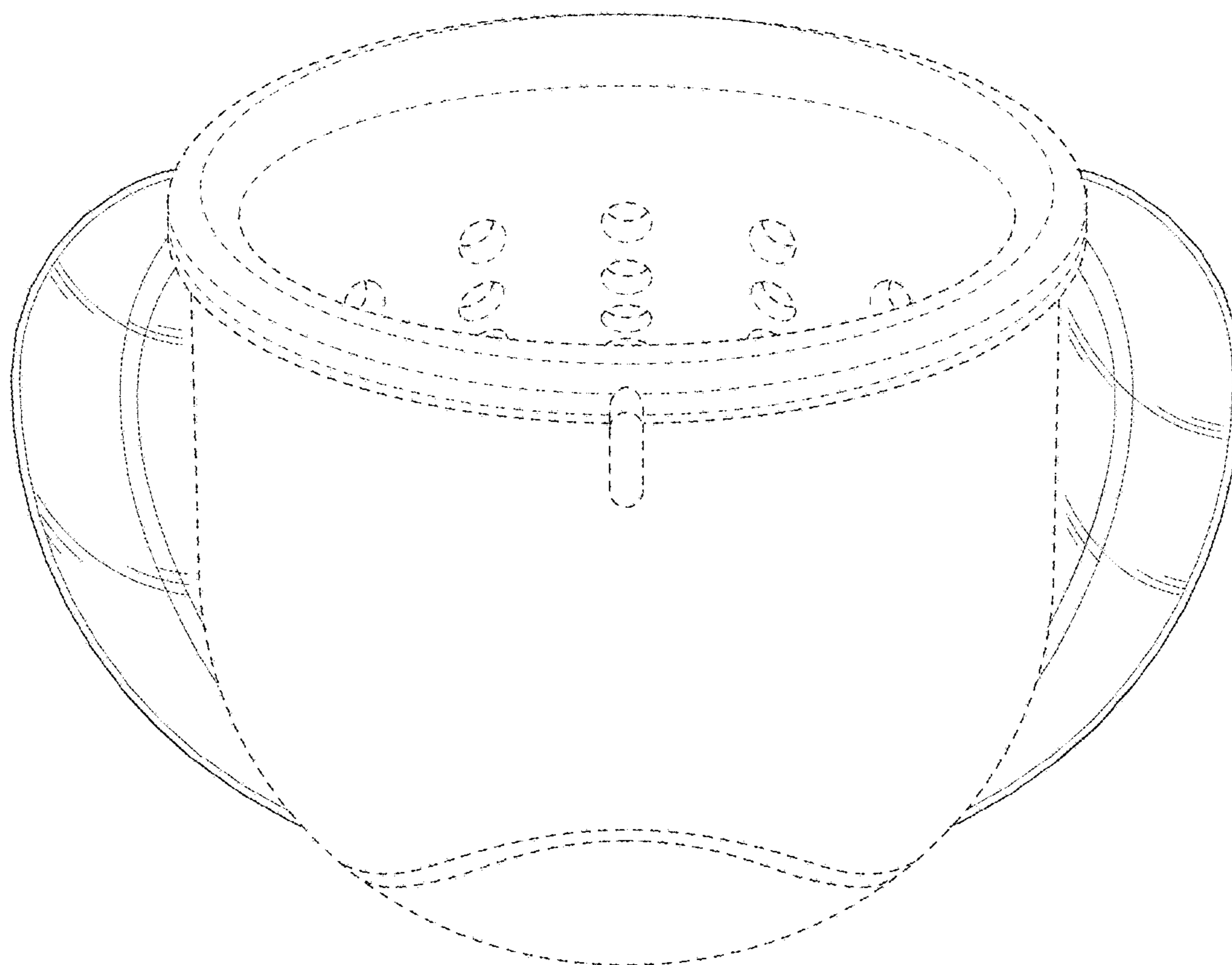


FIG. 9

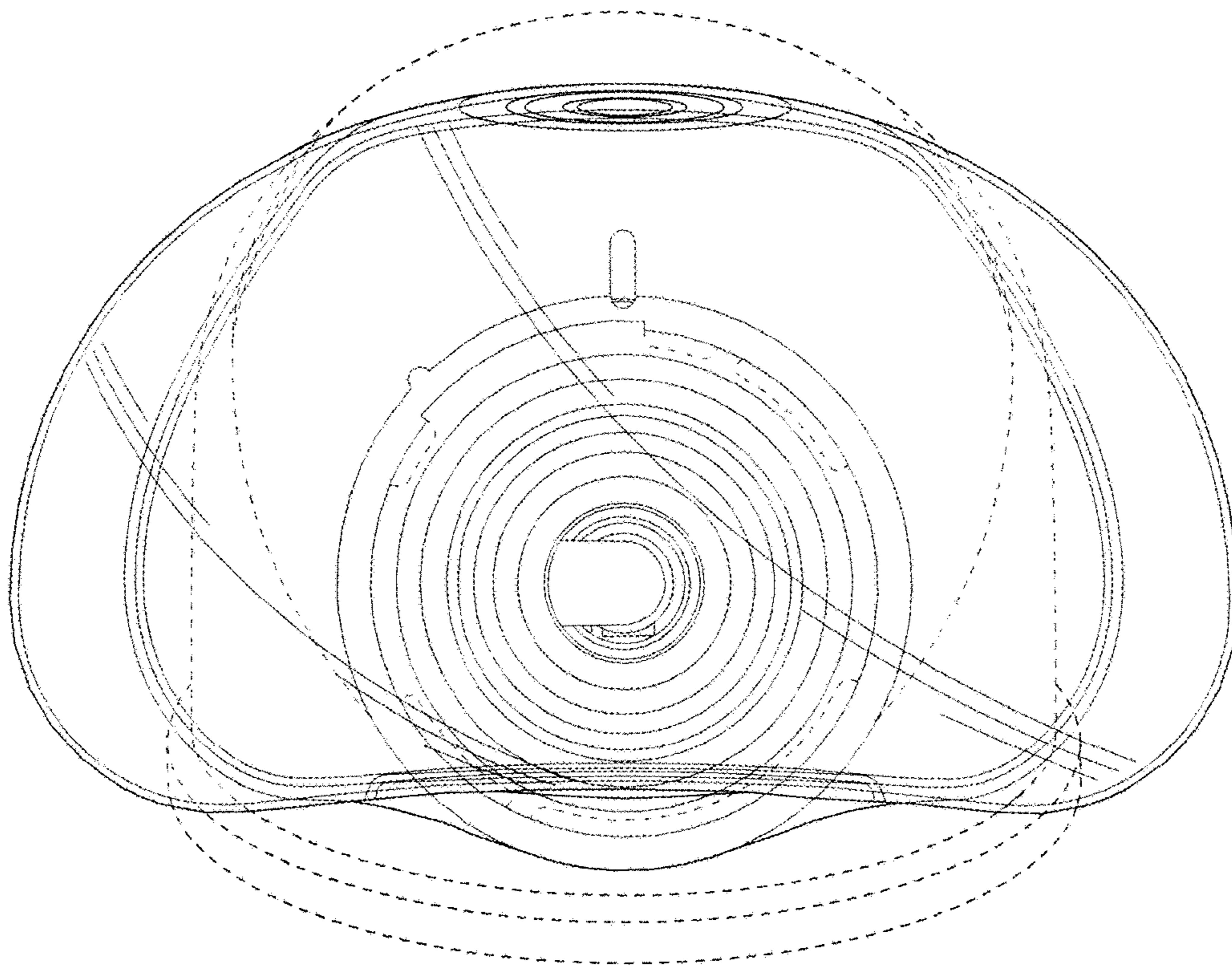


FIG. 10

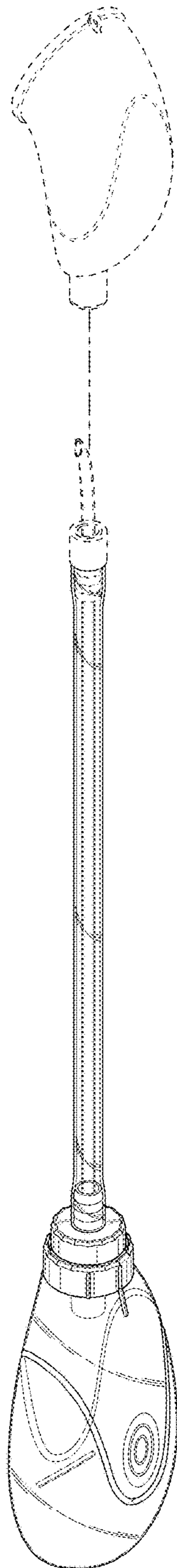


FIG. 11

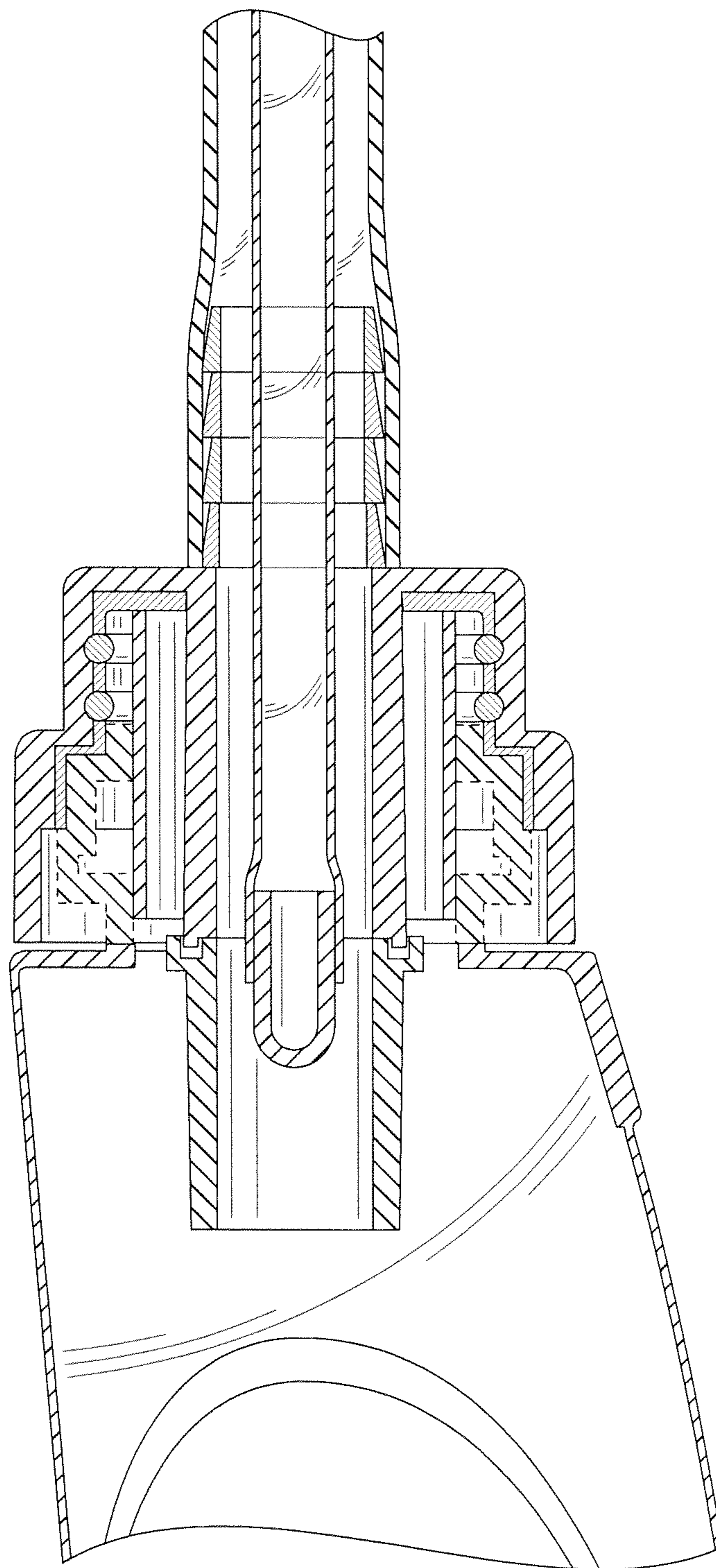


FIG. 12

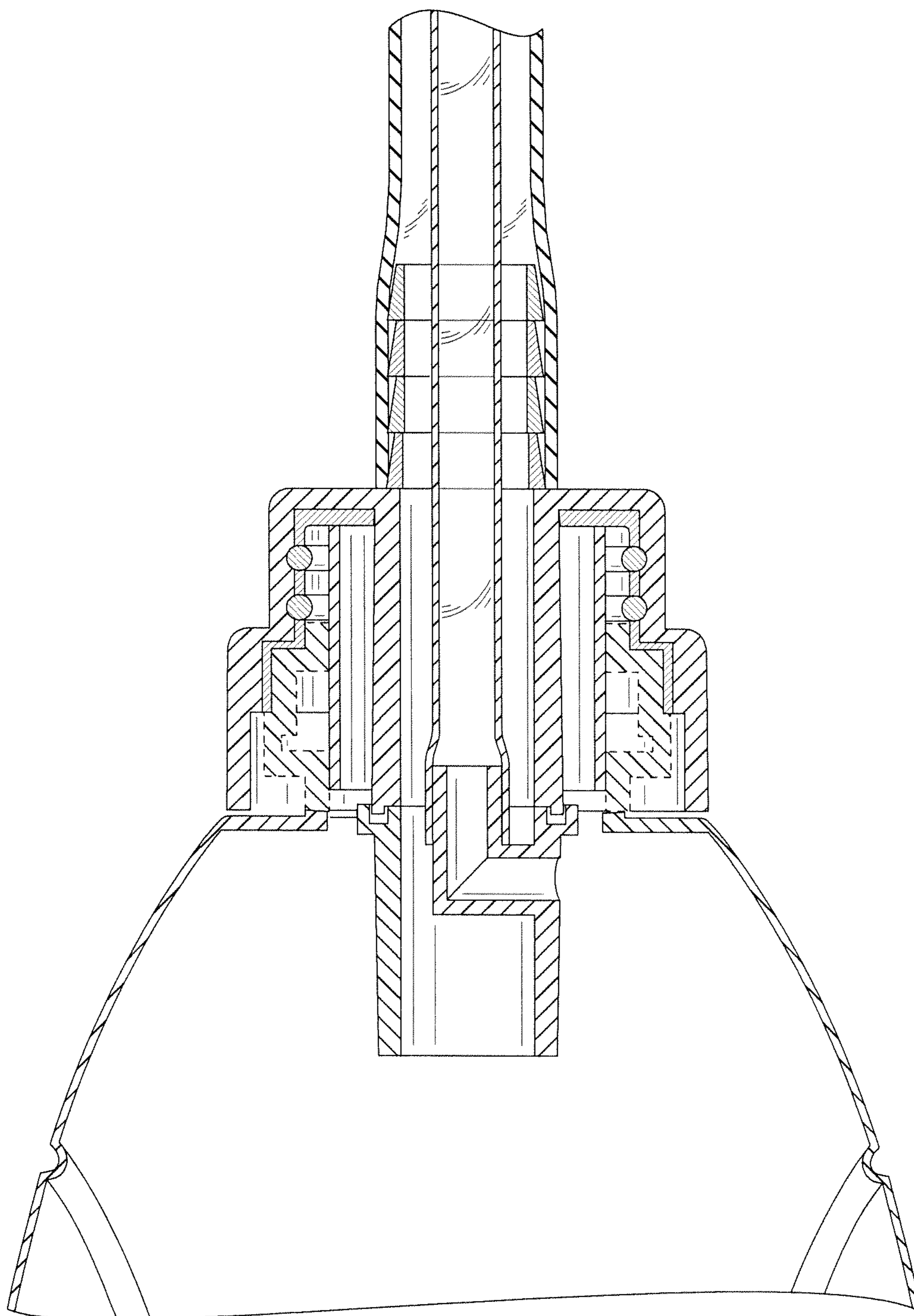


FIG. 13

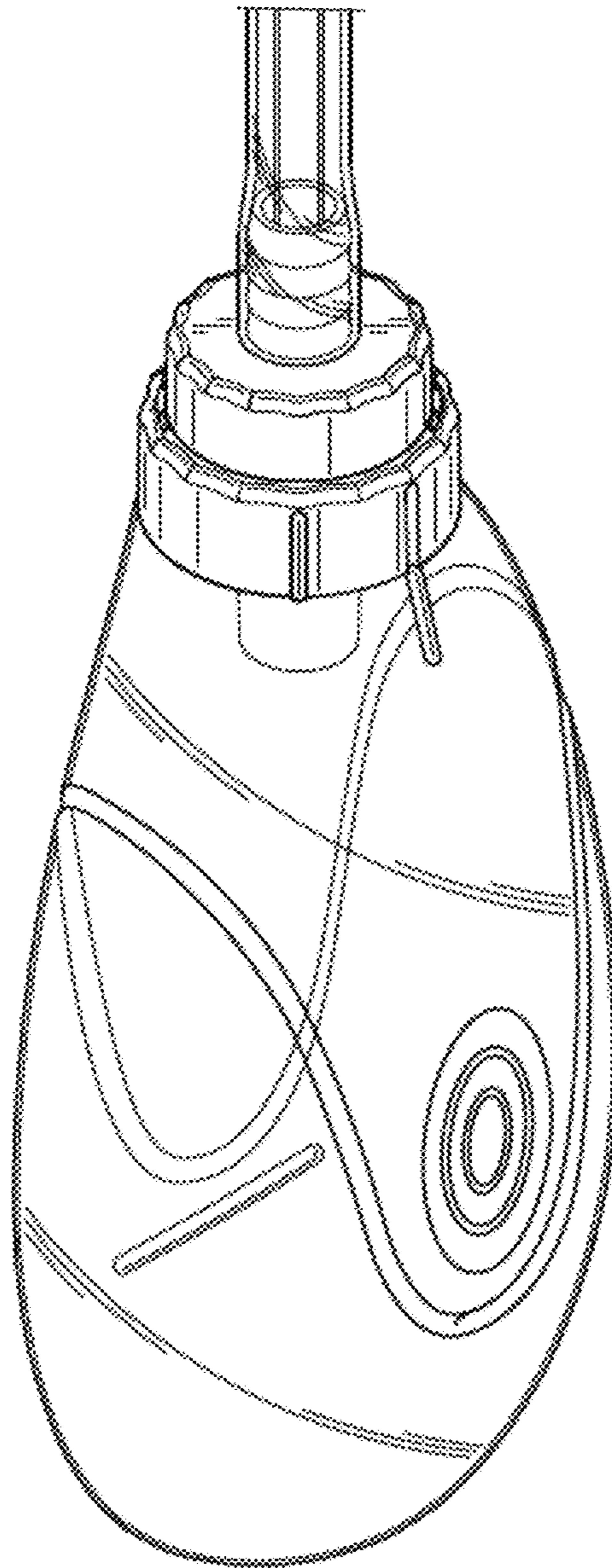


FIG. 14

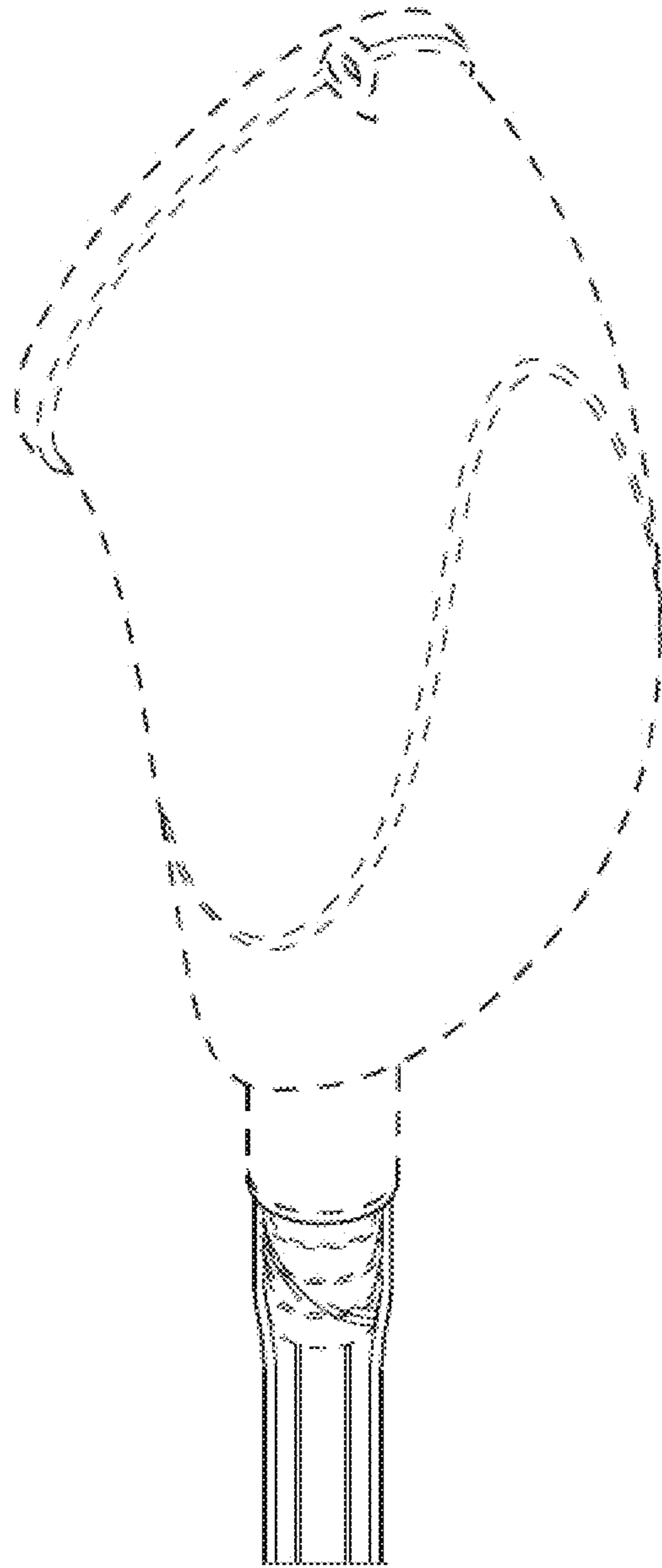


FIG. 15

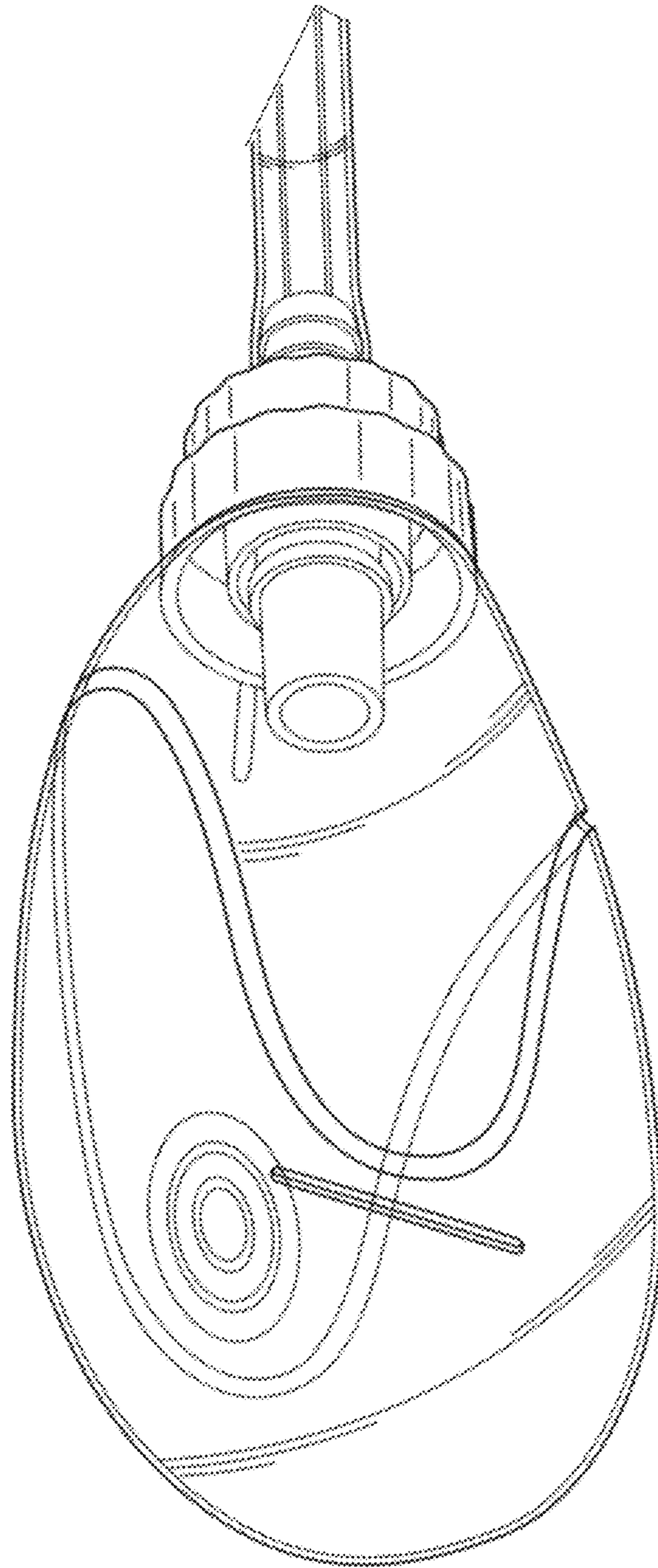


FIG. 16

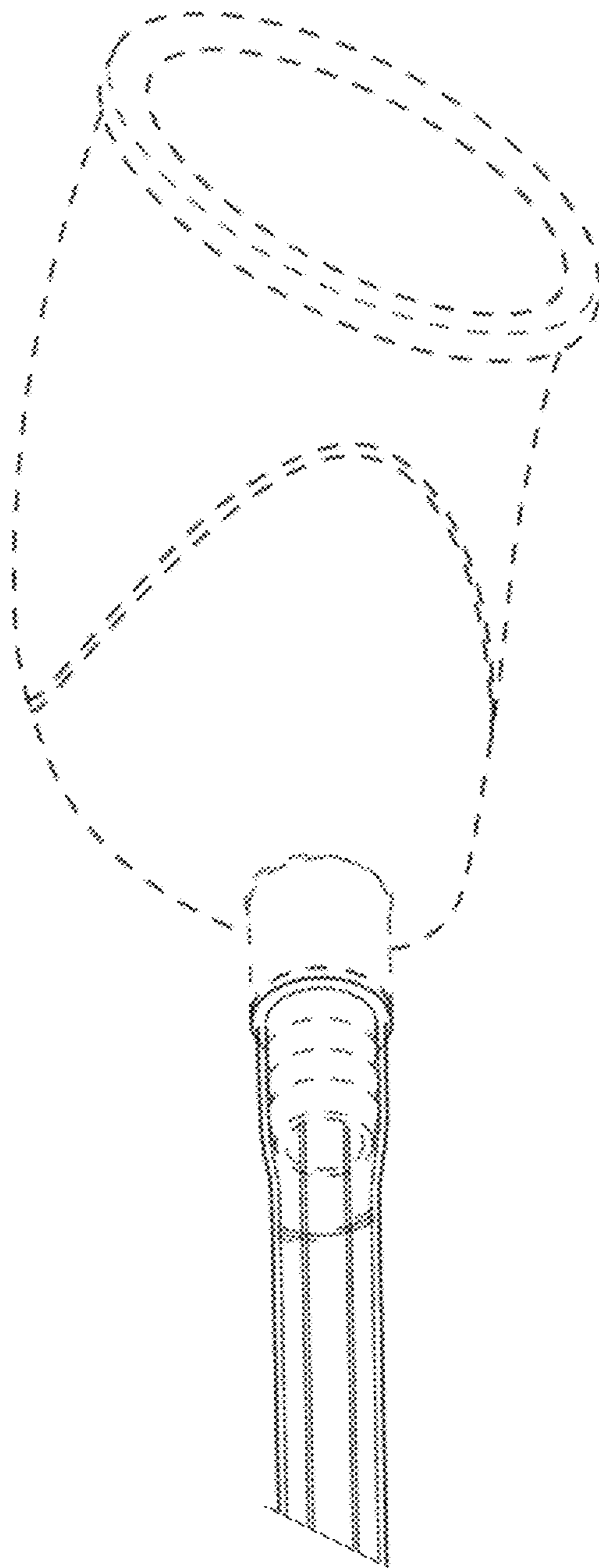


FIG. 17