



US00D782659S

(12) **United States Design Patent**
Mehta

(10) **Patent No.:** **US D782,659 S**
(45) **Date of Patent:** **** Mar. 28, 2017**

- (54) **APPLICATOR UNIT FOR A SKIN CARE COMPOSITION**
- (71) Applicant: **JE MATADI, INC.**, Stafford, TX (US)
- (72) Inventor: **Pershant Mehta**, Stafford, TX (US)
- (73) Assignee: **Je Matadi, Inc.**, Stafford, TX (US)
- (**) Term: **15 Years**
- (21) Appl. No.: **29/575,667**
- (22) Filed: **Aug. 26, 2016**

Related U.S. Application Data

- (63) Continuation-in-part of application No. 29/502,280, filed on Sep. 12, 2014.
- (51) **LOC (10) Cl.** **24-02**
- (52) **U.S. Cl.**
USPC **D24/119**
- (58) **Field of Classification Search**
USPC D24/119, 210, 209, 200, 158, 176, 185, D24/186; D26/29, 37, 39, 41, 104; 606/2-4, 16, 131; 607/88-95; 433/29; 601/15, DIG. 5, DIG. 21
CPC A61M 35/003; A61H 7/005; A61H 9/0057
See application file for complete search history.

(56) **References Cited**

U.S. PATENT DOCUMENTS

- D233,908 S * 12/1974 Brindley D26/37
- 5,003,966 A 4/1991 Saka et al.
- D331,467 S * 12/1992 Wollman D24/200
- 5,176,130 A * 1/1993 Kim A61H 23/02
601/15
- D341,445 S * 11/1993 Morrison D24/119

- D362,735 S * 9/1995 Hiromori D26/37
- D366,703 S * 1/1996 Huen D13/108
- D417,033 S * 11/1999 Sachs D28/63
- 6,023,639 A 2/2000 Hakky et al.
- D445,925 S * 7/2001 Parker D26/37
- 6,319,211 B1 11/2001 Ito et al.
- D479,324 S * 9/2003 Greaney D24/111
- D510,138 S * 9/2005 Kim D24/133
- D511,021 S * 10/2005 Angeletta D28/7
- D523,173 S * 6/2006 Angeletta D28/7
- 7,258,675 B2 8/2007 Nichols
- 7,399,297 B2 7/2008 Ikadai et al.
- D609,361 S * 2/2010 McGarry D24/133
- D636,087 S * 4/2011 Loew D24/200

(Continued)

Primary Examiner — David Muller

Assistant Examiner — Nathan Johnston

(74) *Attorney, Agent, or Firm* — Andrew W. Chu; Craft Chu PLLC

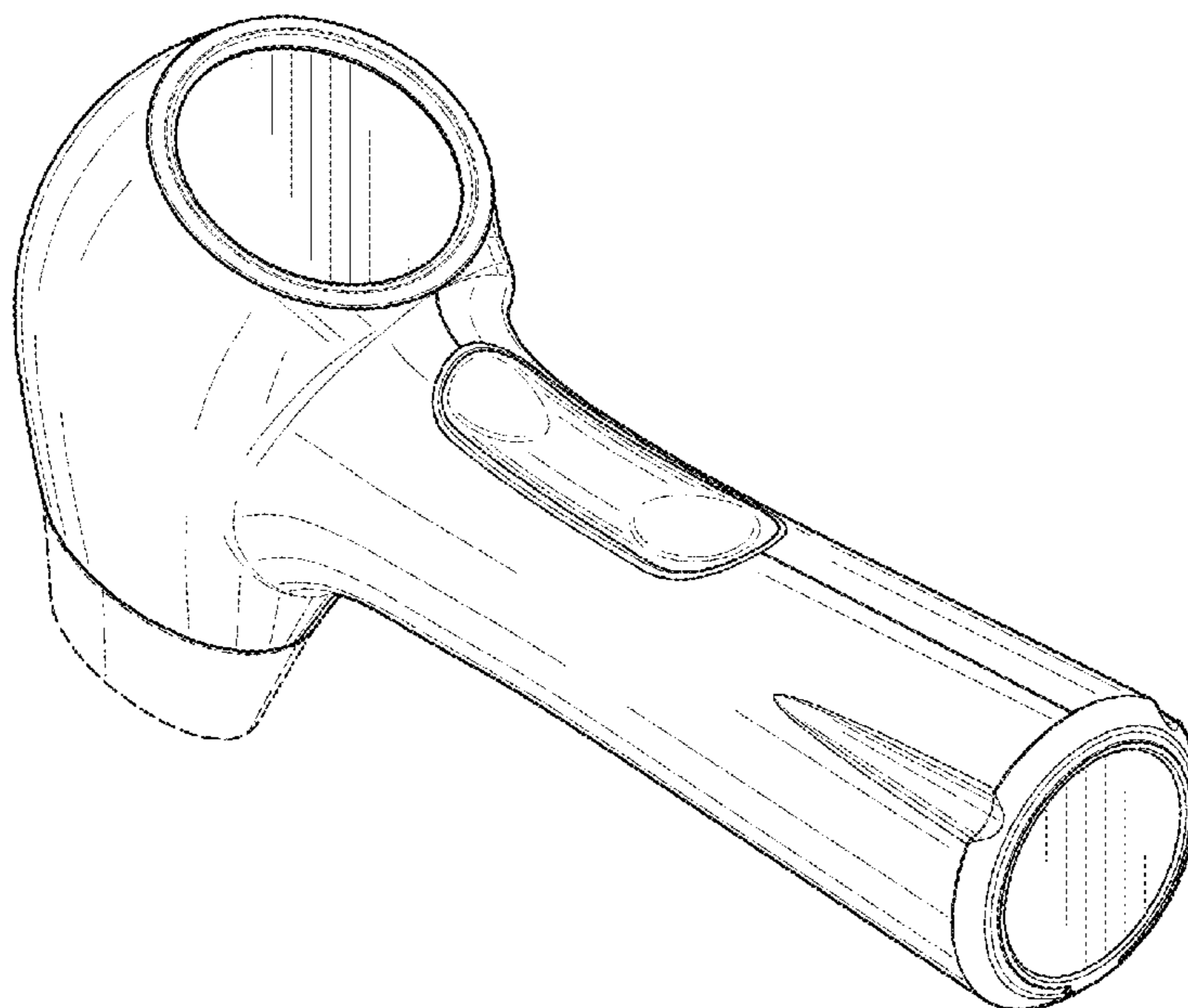
(57) **CLAIM**

The ornamental design for an applicator unit for a skin care composition, as shown and described.

DESCRIPTION

FIG. 1 is an upper perspective view of the applicator unit for a skin care composition showing my design;
 FIG. 2 is a side elevation view thereof, an opposite side elevation view being a mirror image thereof;
 FIG. 3 is a rear elevation view thereof;
 FIG. 4 is a front elevation view thereof;
 FIG. 5 is a top plan view thereof; and,
 FIG. 6 is a bottom plan view thereof.
 The broken line showing of parts of the drawings is included for the purpose of illustrating use and environment and forms no part of the claimed design.

1 Claim, 3 Drawing Sheets



(56)

References Cited

U.S. PATENT DOCUMENTS

D652,523 S * 1/2012 Bradley D24/209
D659,843 S * 5/2012 Wang D24/200
D693,921 S * 11/2013 Burton D24/112
D712,080 S * 8/2014 Trude D26/37
D713,077 S * 9/2014 Hao D26/37
2004/0073144 A1 4/2004 Carava
2007/0142845 A1* 6/2007 Akridge A61B 17/50
606/131
2008/0065176 A1 3/2008 Zhang et al.
2008/0091179 A1 4/2008 Durkin et al.
2008/0172045 A1* 7/2008 Shanks A61N 5/0616
606/3
2010/0274162 A1* 10/2010 Evans A61F 7/007
601/15
2010/0280537 A1* 11/2010 Trissel A61B 5/15186
606/181
2011/0106067 A1 5/2011 Geva et al.
2013/0012976 A1* 1/2013 Imori A61B 5/15142
606/181
2013/0158547 A1* 6/2013 David A61B 18/14
606/41
2014/0135798 A1* 5/2014 David A61B 17/54
606/131

* cited by examiner

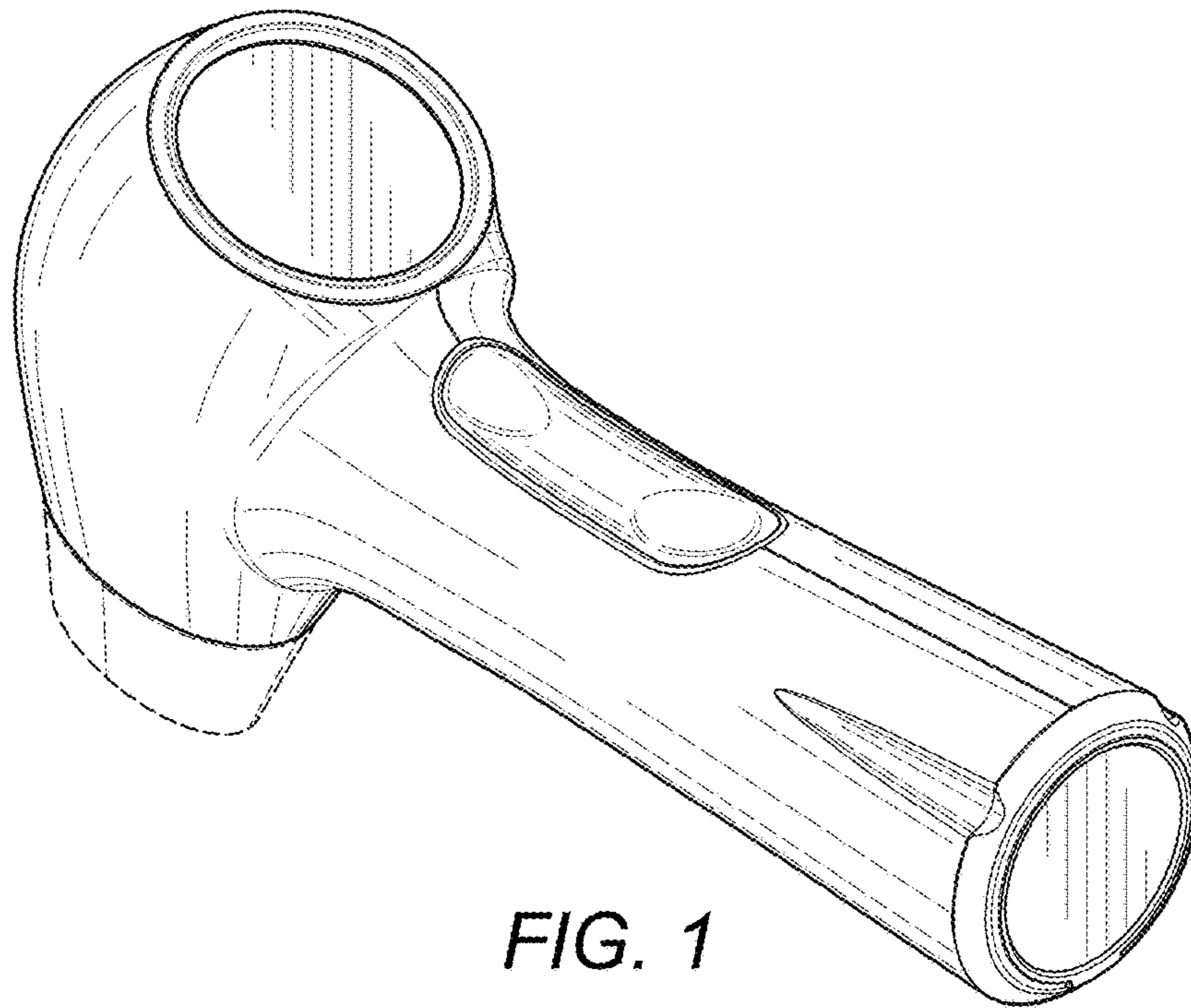


FIG. 1

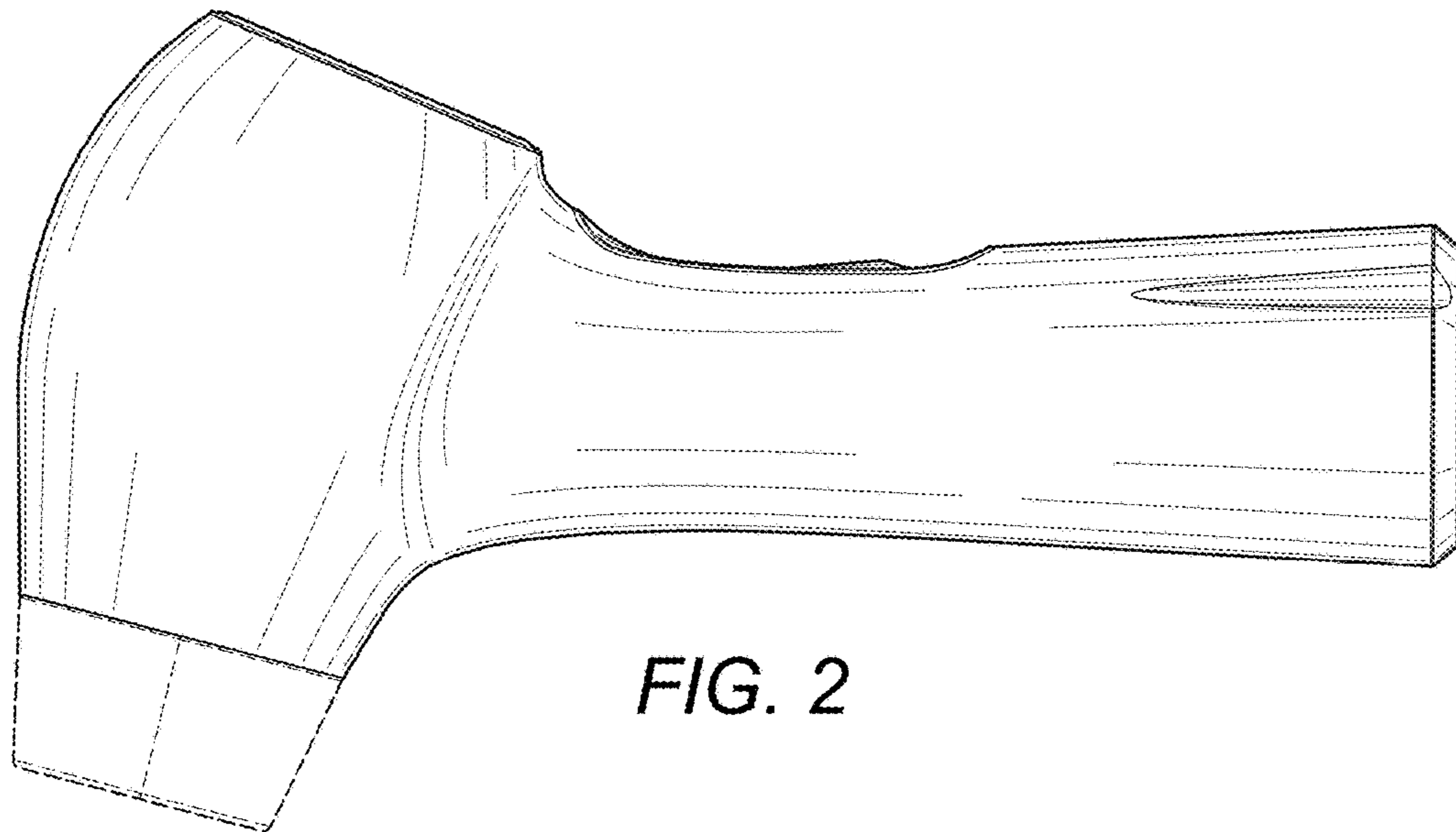


FIG. 2

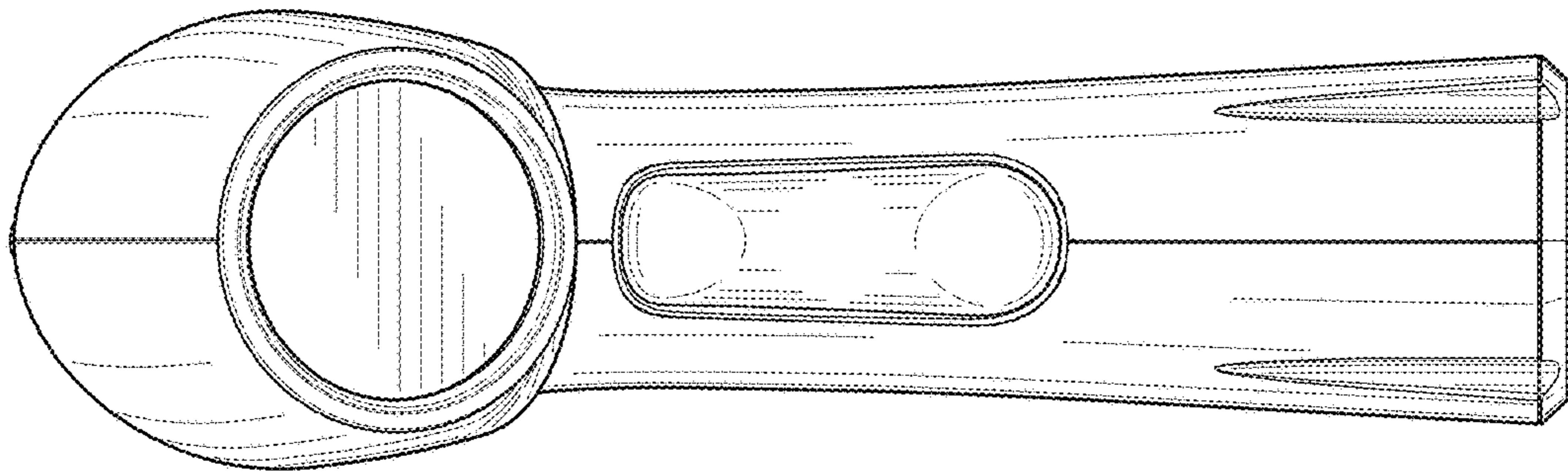


FIG. 3

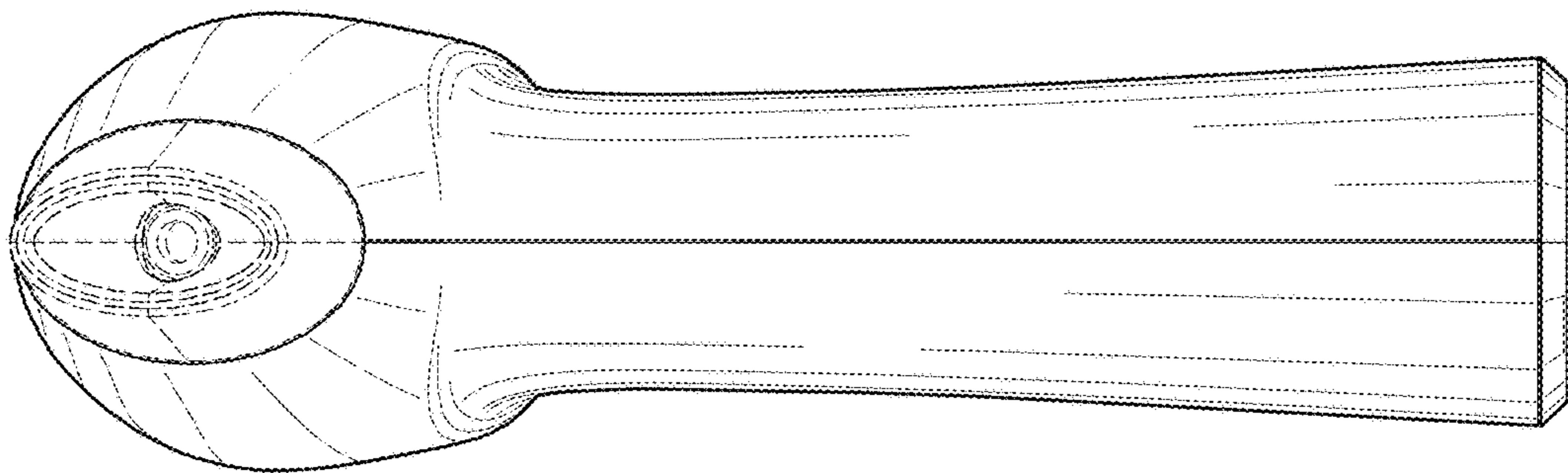


FIG. 4

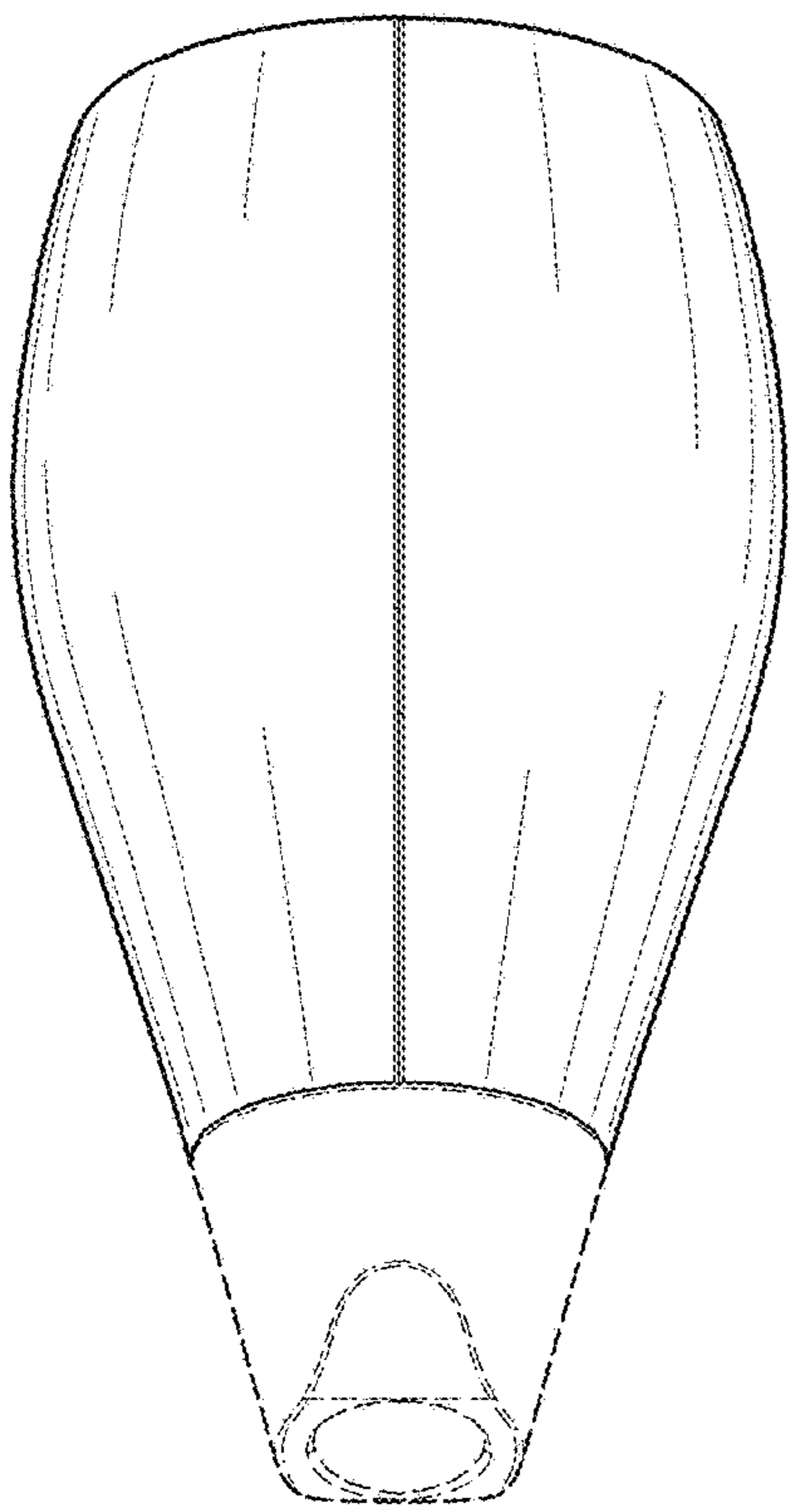


FIG. 5

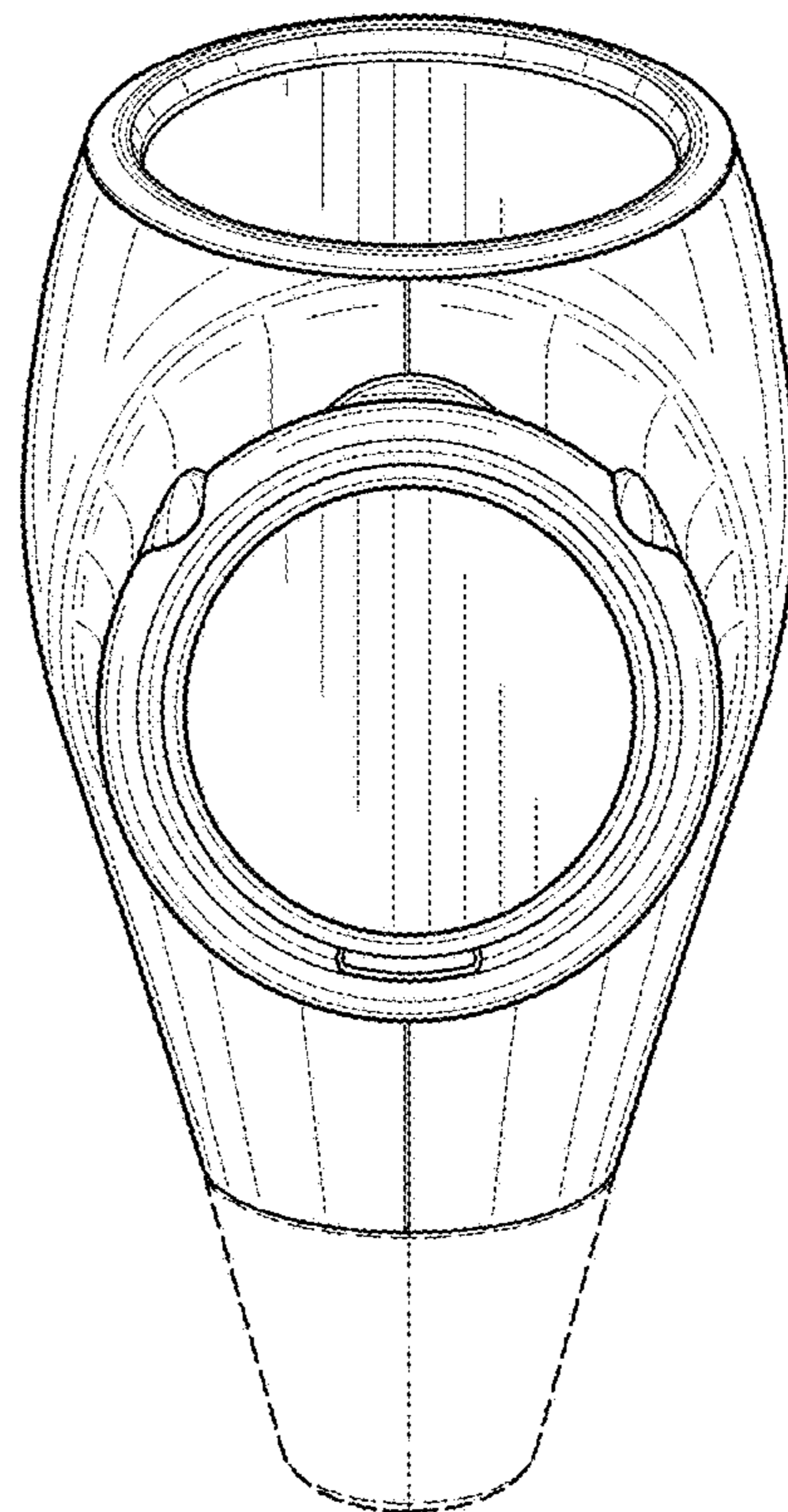


FIG. 6