



US00D782658S

(12) **United States Design Patent** (10) **Patent No.:** **US D782,658 S**
Young (45) **Date of Patent:** **** Mar. 28, 2017**

(54) **AIRWAY DEVICE**

FOREIGN PATENT DOCUMENTS

(71) Applicant: **INDIAN OCEAN MEDICAL INC.**,
Mahe (SC)

DE 19734821 A1 2/1999
GB 1399093 6/1975

(Continued)

(72) Inventor: **Peter J. Young**, Roydon King's Lynn
(GB)

OTHER PUBLICATIONS

(73) Assignee: **Indian Ocean Medical Inc.**, Mahe
(SC)

Evans, L. et al., "Comparison of the LoTrach and the Portex Soft Seal Cuff: Tracheal Wall Pressure and Fluid Leakage in a Benchtop Study and a Clinical Study", 27th International Symposium on Intensive Care and Emergency Medicine, Mar. 27-30, 2007, published Mar. 22, 2007 in Critical Care, 11 (Suppl 2): p215doi:10.1186/cc5375, Brussels, Belgium, BioMed Central Ltd.

(Continued)

(**) Term: **15 Years**

(21) Appl. No.: **29/534,593**

(22) Filed: **Jul. 30, 2015**

Primary Examiner — David Muller

(30) **Foreign Application Priority Data**

(74) *Attorney, Agent, or Firm* — Ostrager Chong Flaherty & Broitman P.C.

Feb. 2, 2015 (EP) 001429815

(51) **LOC (10) Cl.** **24-02**

(52) **U.S. Cl.**
USPC **D24/112**

(58) **Field of Classification Search**
USPC D24/112-114, 108, 133, 130, 127, 186;
606/181, 185; 604/264, 272, 187, 181,
604/184, 227; 600/101, 139, 143;
128/200.24, 207.14, 207.15
CPC A61M 25/00; A61M 39/00; A61M 27/00;
A61M 25/0043; A61M 25/0067; A61M
25/0097

See application file for complete search history.

(57) **CLAIM**

I claim the ornamental design for an airway device, as shown and described.

(56) **References Cited**

U.S. PATENT DOCUMENTS

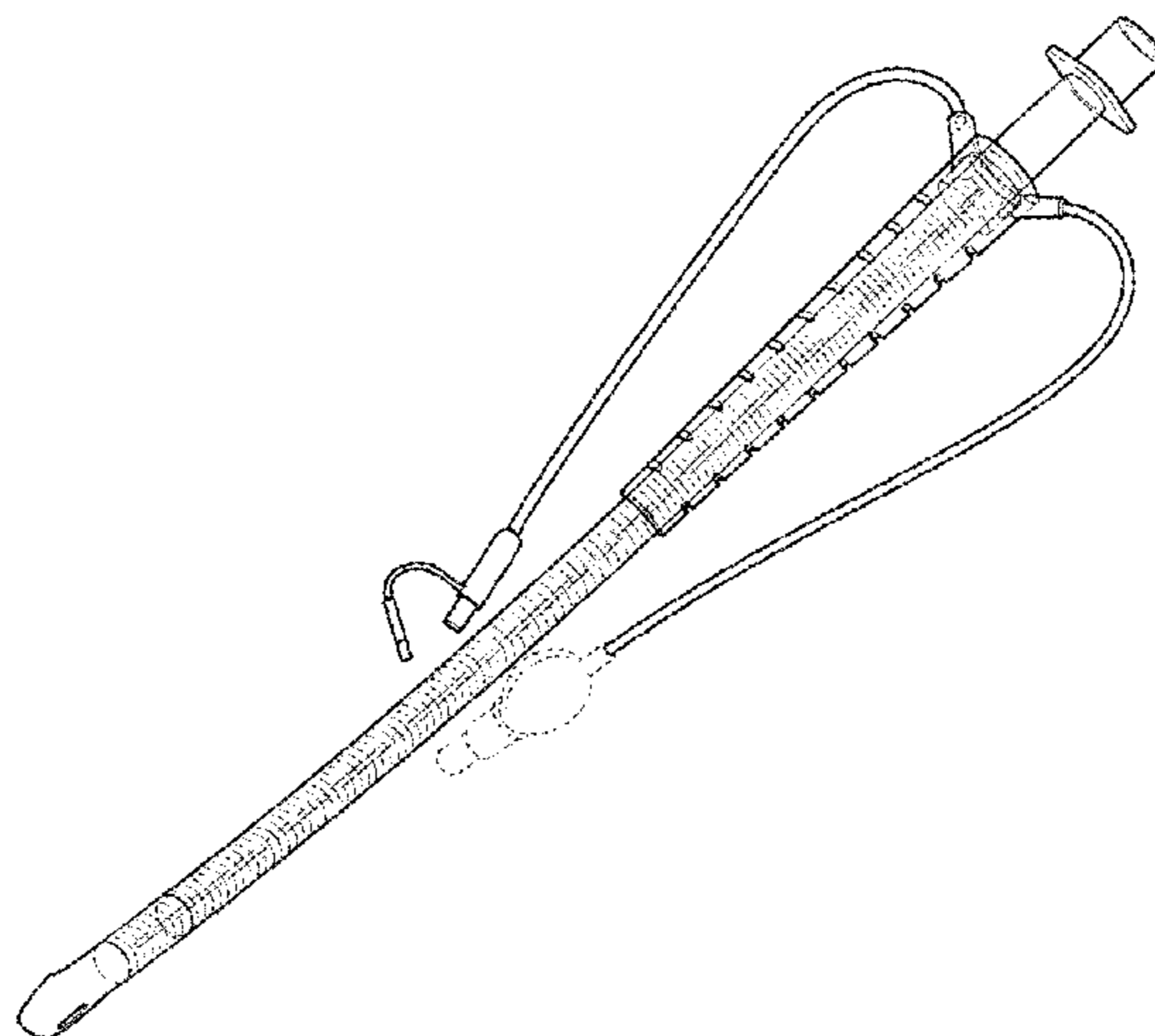
3,407,817 A 10/1968 Galleher, Jr.
3,734,100 A 5/1973 Walker et al.
3,880,168 A 4/1975 Berman
3,884,242 A 5/1975 Bazell et al.
4,056,104 A 11/1977 Jaffe
4,305,392 A 12/1981 Chester

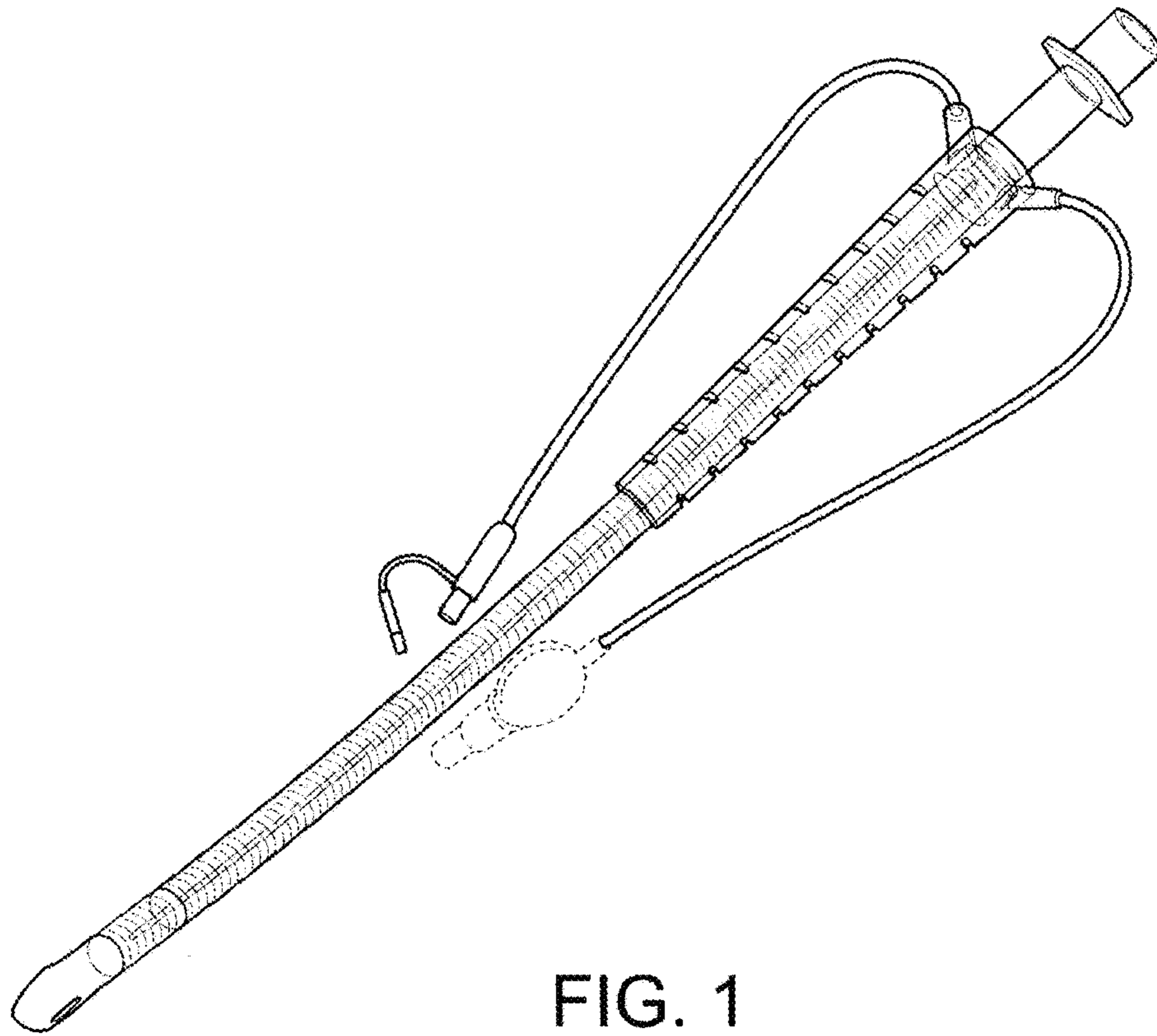
(Continued)

DESCRIPTION

FIG. 1 is a top, front and left side perspective view of the new design;
FIG. 2 is a bottom, rear and right side perspective view thereof in a different configuration;
FIG. 3 is a front side view thereof in a different configuration;
FIG. 4 is a right side elevation view thereof;
FIG. 5 is a left side elevation view thereof;
FIG. 6 is a top plan view thereof; and,
FIG. 7 is a bottom plan view thereof.
The broken lines in the Figures form no part of the claimed design.

1 Claim, 6 Drawing Sheets





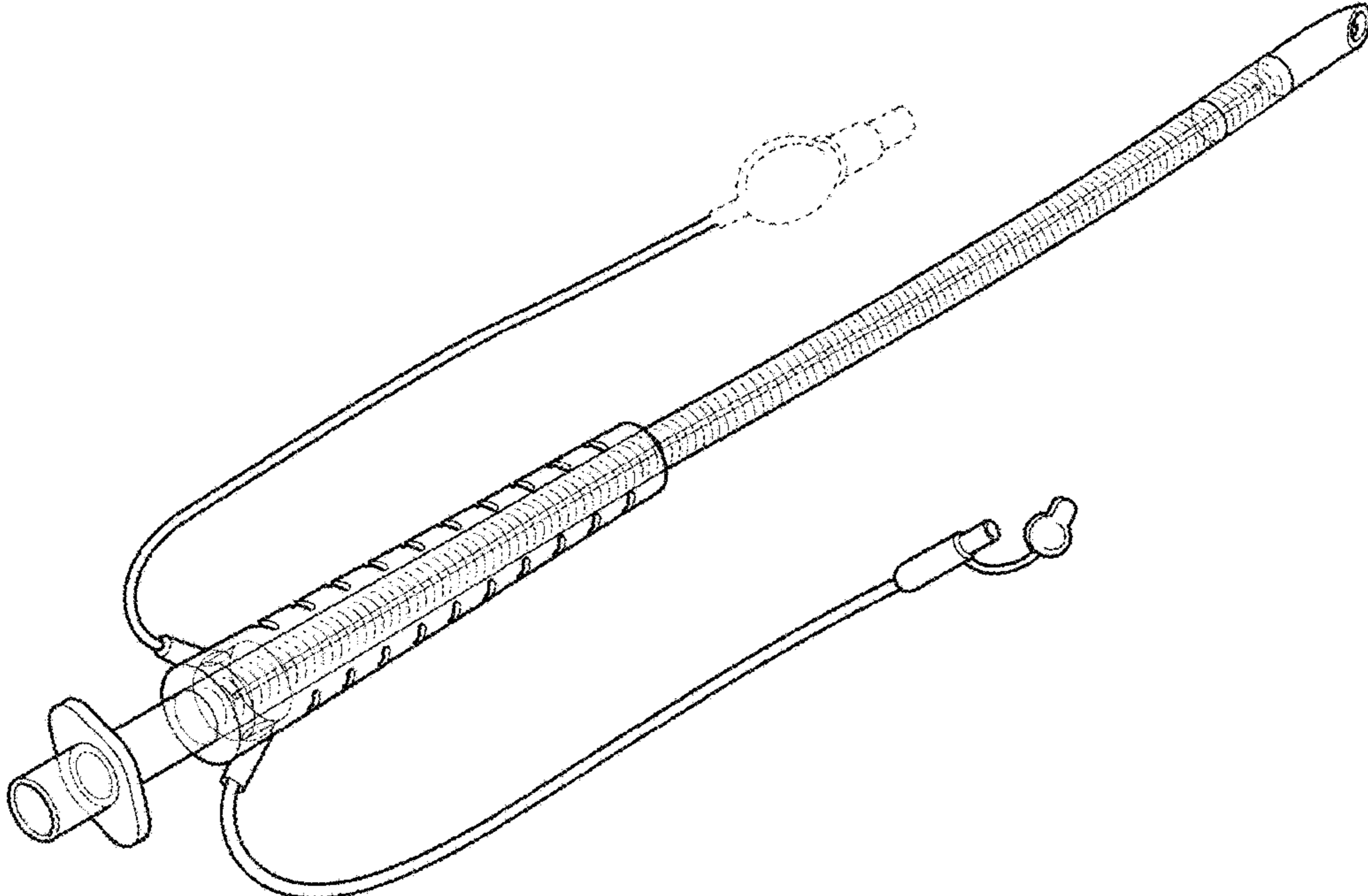


FIG. 2

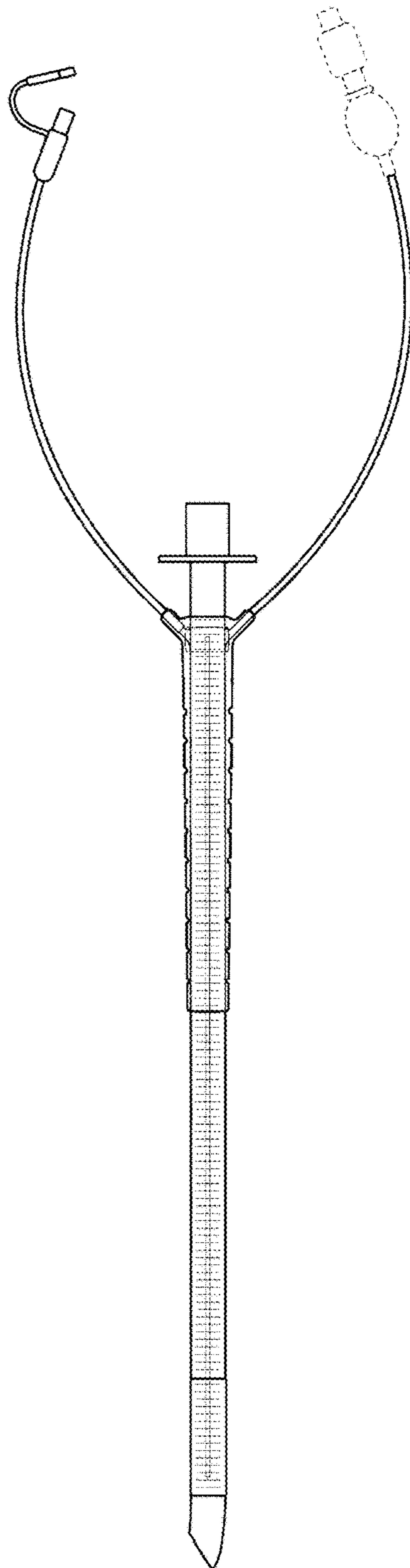


FIG. 3

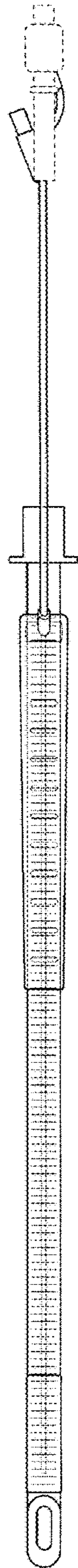


FIG. 4

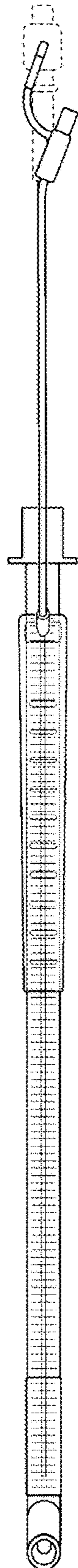


FIG. 5

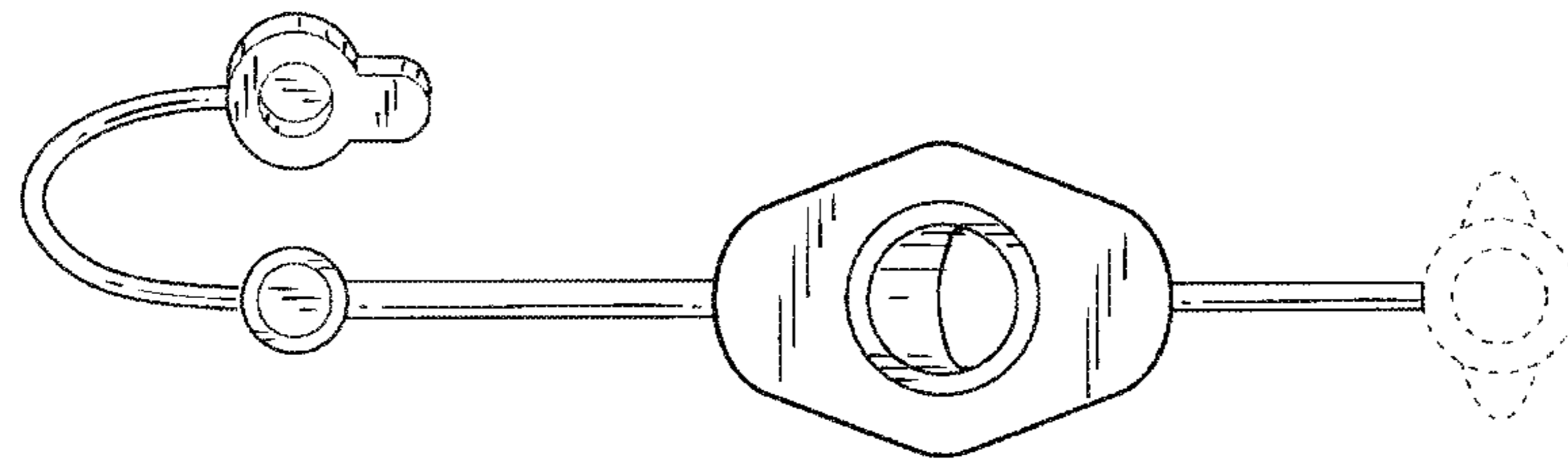


FIG. 6

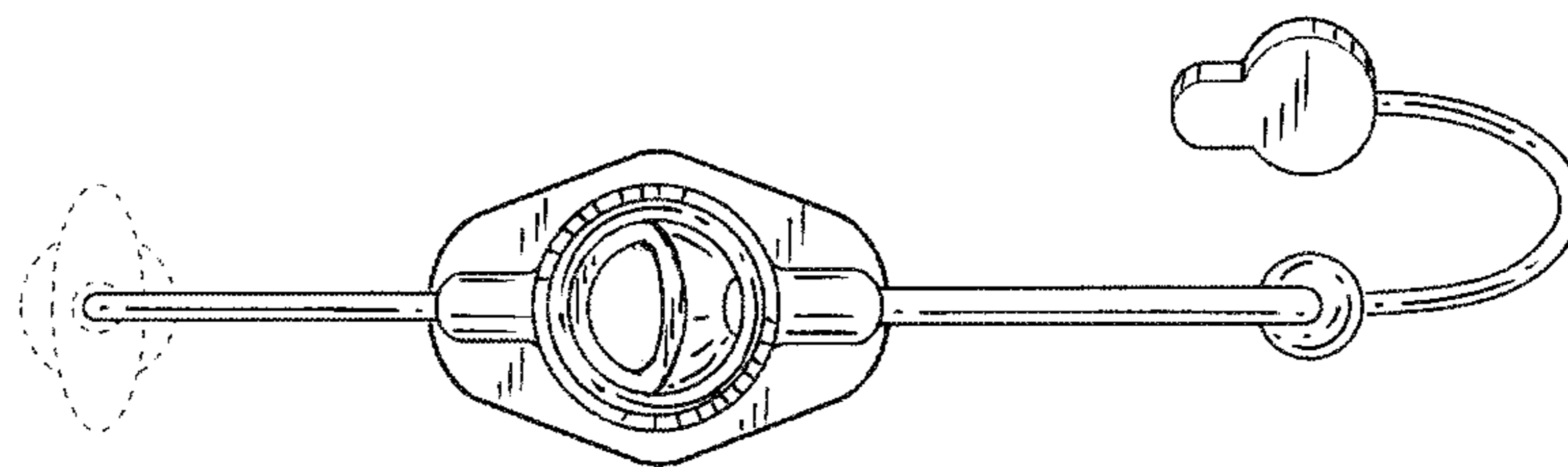


FIG. 7