



US00D782655S

(12) **United States Design Patent** (10) **Patent No.:** **US D782,655 S**
Blanch et al. (45) **Date of Patent:** **** Mar. 28, 2017**

- (54) **PATIENT INTERFACE**
- (71) Applicant: **ResMed Limited**, Bella Vista (AU)
- (72) Inventors: **Emily Elizabeth Blanch**, Sydney (AU);
Christopher James Smith, Sydney (AU); **Thomas Kirby**, Sydney (AU)
- (73) Assignee: **ResMed Limited**, Bella Vista (AU)
- (**) Term: **15 Years**
- (21) Appl. No.: **29/565,104**
- (22) Filed: **May 18, 2016**

- 7,802,573 B2 9/2010 Amarasinghe
- D679,799 S 4/2013 D'Souza
- 8,517,023 B2 8/2013 Henry
- D693,459 S 11/2013 Prentice
- D694,875 S 12/2013 D'Souza
- D695,887 S 12/2013 Ozolins

(Continued)

Primary Examiner — Barbara Fox
Assistant Examiner — Lilyana Bekic
 (74) *Attorney, Agent, or Firm* — Nixon & Vanderhye P.C.

(57) **CLAIM**

The ornamental design for a patient interface, as shown and described.

Related U.S. Application Data

- (62) Division of application No. 29/480,985, filed on Jan. 31, 2014, now Pat. No. Des. 760,379.
- (51) **LOC (10) Cl.** **29-02**
- (52) **U.S. Cl.**
USPC **D24/110.4**
- (58) **Field of Classification Search**
USPC D24/110–110.6, 127
CPC A61M 16/0622; A61M 16/0616; A61M 16/0816; A61M 16/08; A61M 16/0633; A61M 16/06; A61M 16/0666; A61M 2210/0618; A61M 16/0683
See application file for complete search history.

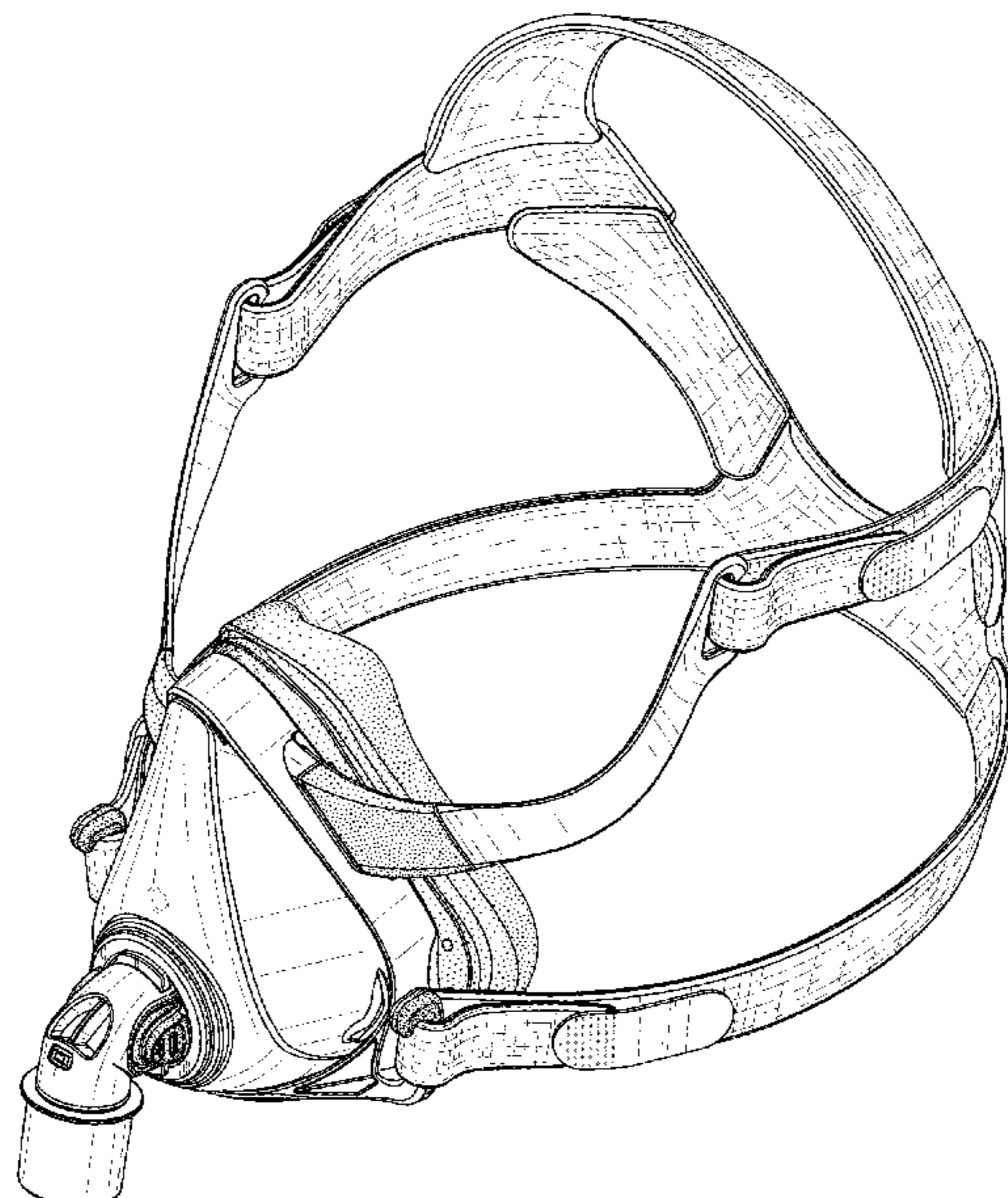
DESCRIPTION

FIG. 1 is a front perspective view of a patient interface showing a first embodiment according to our new design; FIG. 2 is a front view thereof; FIG. 3 is a rear view thereof; FIG. 4 is a top view thereof; FIG. 5 is a bottom view thereof; FIG. 6 is a left side view thereof; FIG. 7 is a right side view thereof; FIG. 8 is a front perspective view of a patient interface showing a second embodiment according to our new design; FIG. 9 is a front view thereof; FIG. 10 is a rear view thereof; FIG. 11 is a top view thereof; FIG. 12 is a bottom view thereof; FIG. 13 is a left side view thereof; and, FIG. 14 is a right side view thereof. The broken lines in the drawing illustrate portions of the patient interface that do not form part of the claimed design. Line shading and stippling have been used in the drawings to indicate a contrast in appearance.

(56) **References Cited**
 U.S. PATENT DOCUMENTS

- 5,394,568 A 3/1995 Brostrom
- D383,204 S 9/1997 Lomas
- D496,726 S 9/2004 Amarasinghe
- D532,511 S 11/2006 Amarasinghe
- D532,512 S 11/2006 Amarasinghe
- D540,940 S 4/2007 Amarasinghe
- D561,332 S 2/2008 Amarasinghe

1 Claim, 14 Drawing Sheets



(56)

References Cited

U.S. PATENT DOCUMENTS

D707,349	S	6/2014	D'Souza	
D740,934	S	10/2015	Formica	
D751,188	S *	3/2016	Skipper	D24/110.4
D760,379	S	6/2016	Smith et al.	
2004/0065328	A1	4/2004	Amarasinghe	
2007/0235033	A1	10/2007	Reier	
2009/0178680	A1	7/2009	Chang	
2009/0250065	A1	10/2009	Omura	
2010/0319700	A1	12/2010	Ng	
2012/0138063	A1	6/2012	Eves	
2015/0000671	A1 *	1/2015	Frerichs	A61M 16/0683 128/206.21
2016/0144144	A1 *	5/2016	Smith	A61M 16/0683 128/202.27
2016/0175552	A1 *	6/2016	Harrington	A61M 16/06 128/201.13
2016/0250434	A1 *	9/2016	Asvadi	A61M 16/0622
2016/0256660	A1 *	9/2016	Austin	A61M 16/202

* cited by examiner

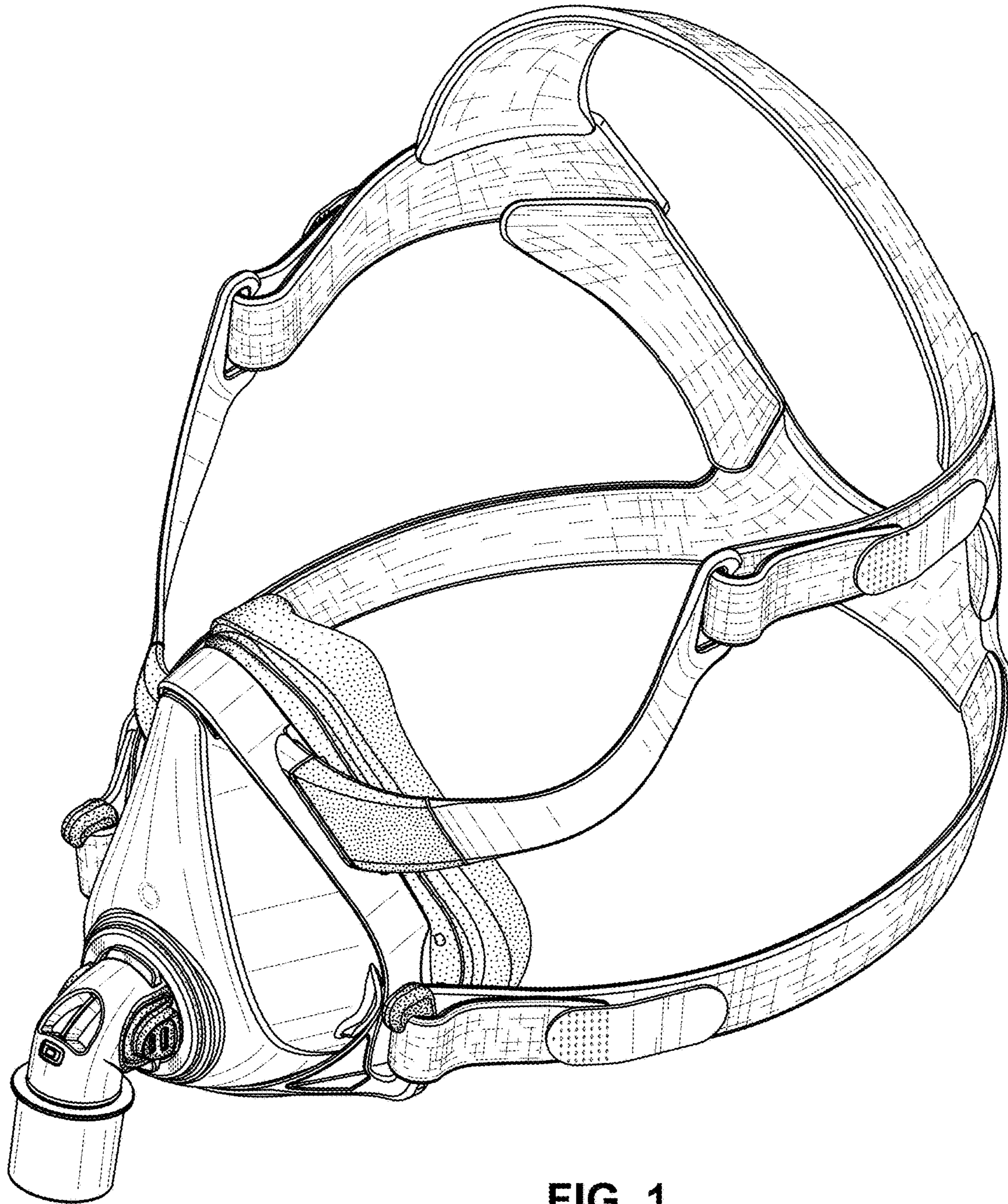


FIG. 1

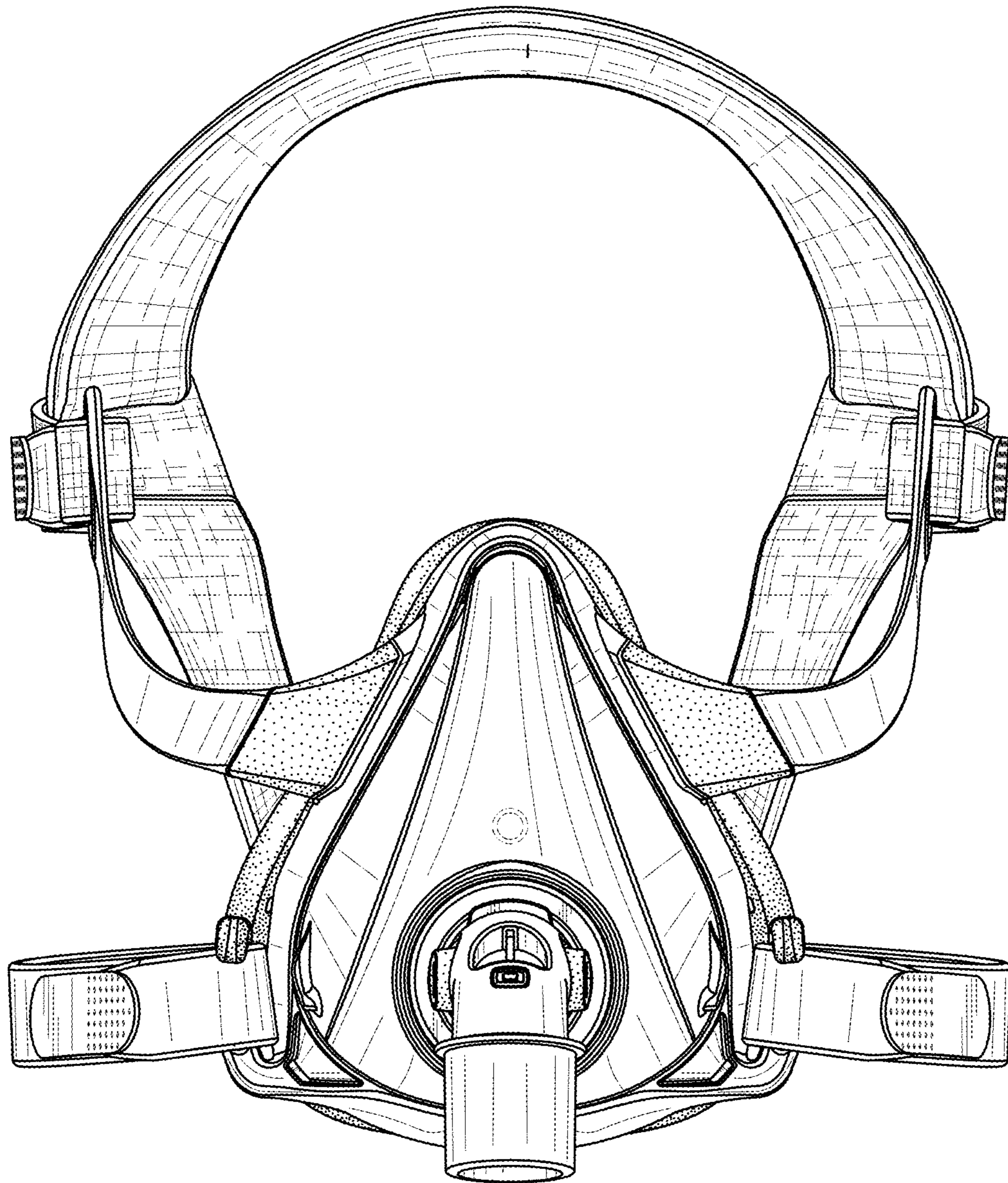


FIG. 2

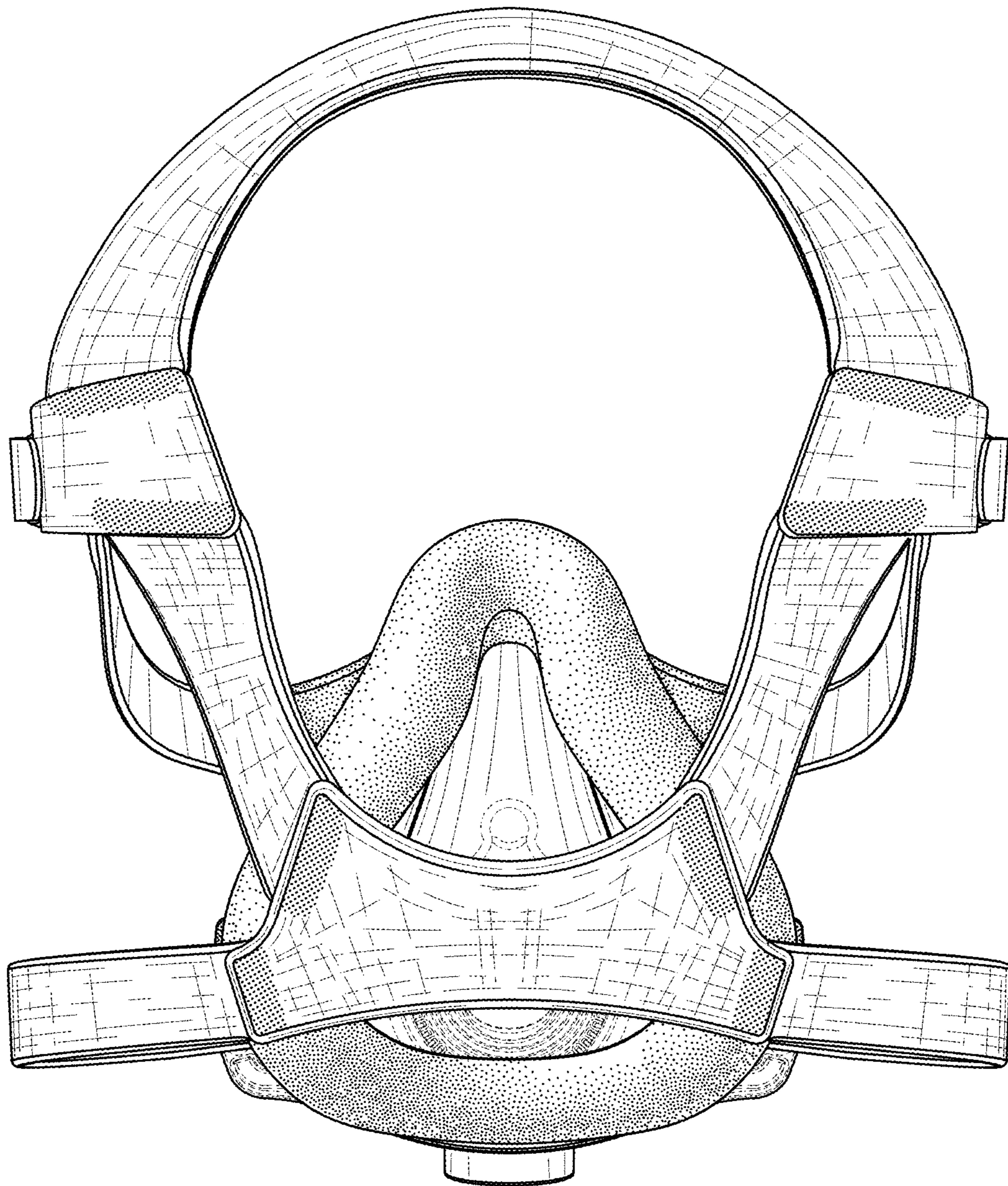


FIG. 3

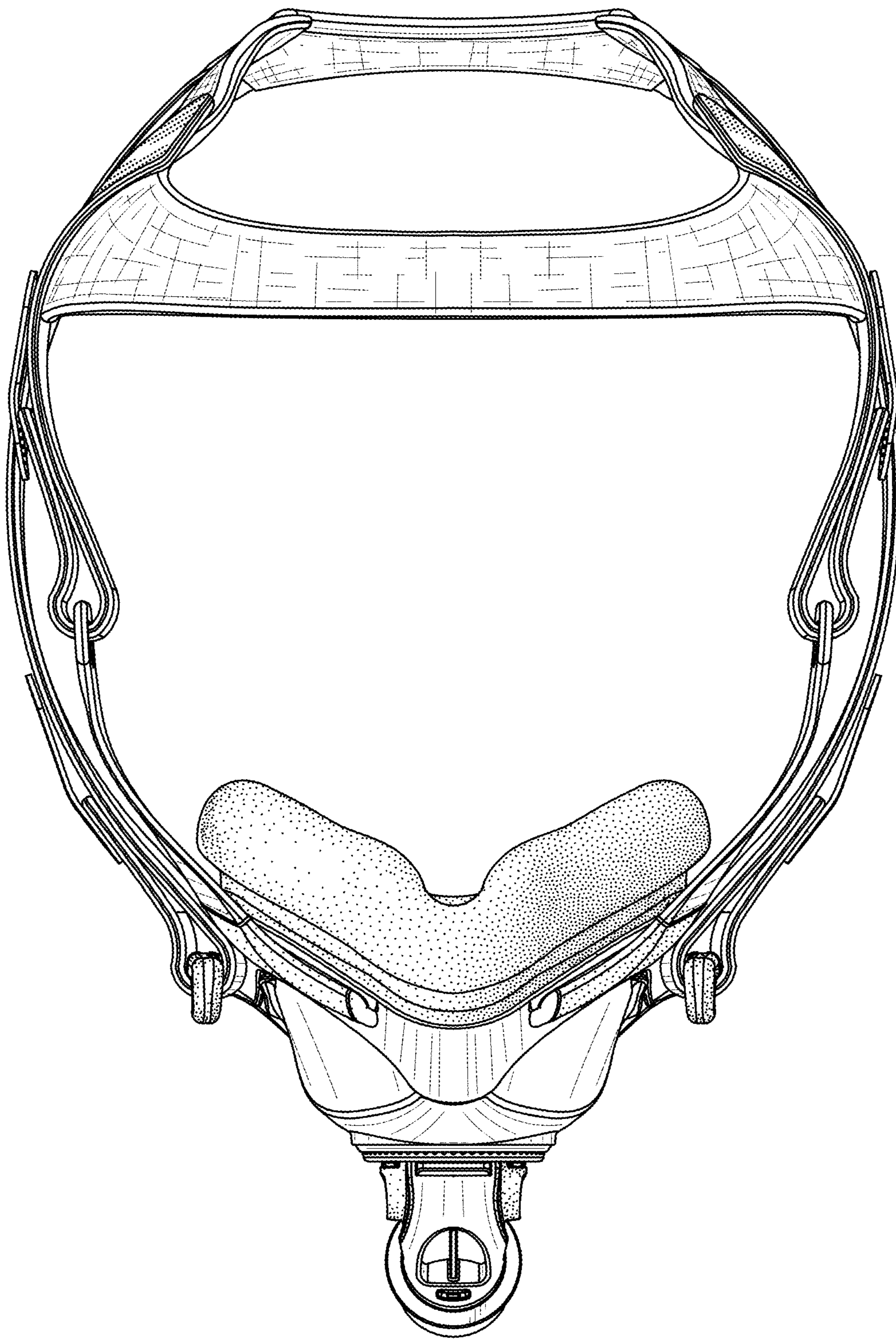


FIG. 4

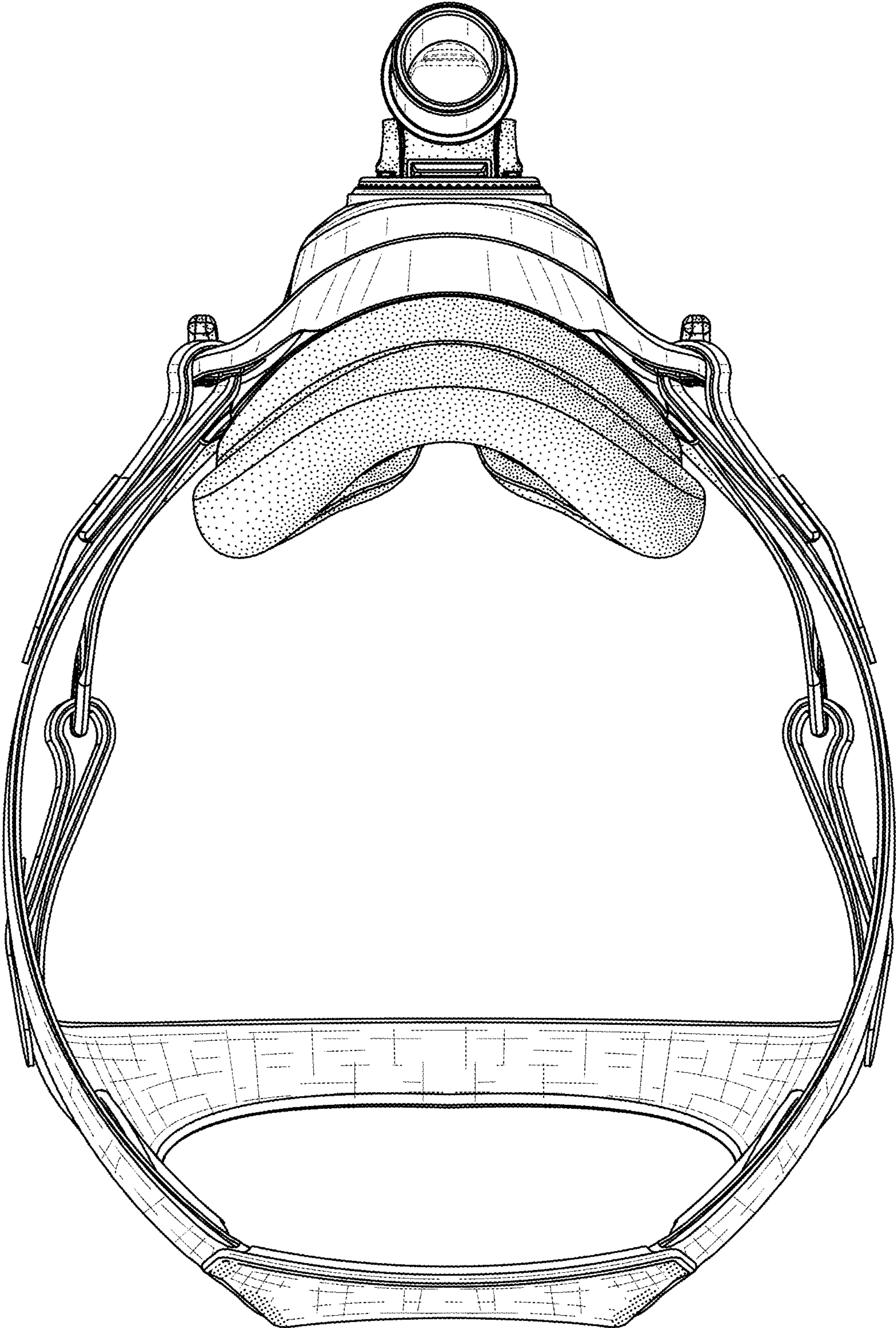
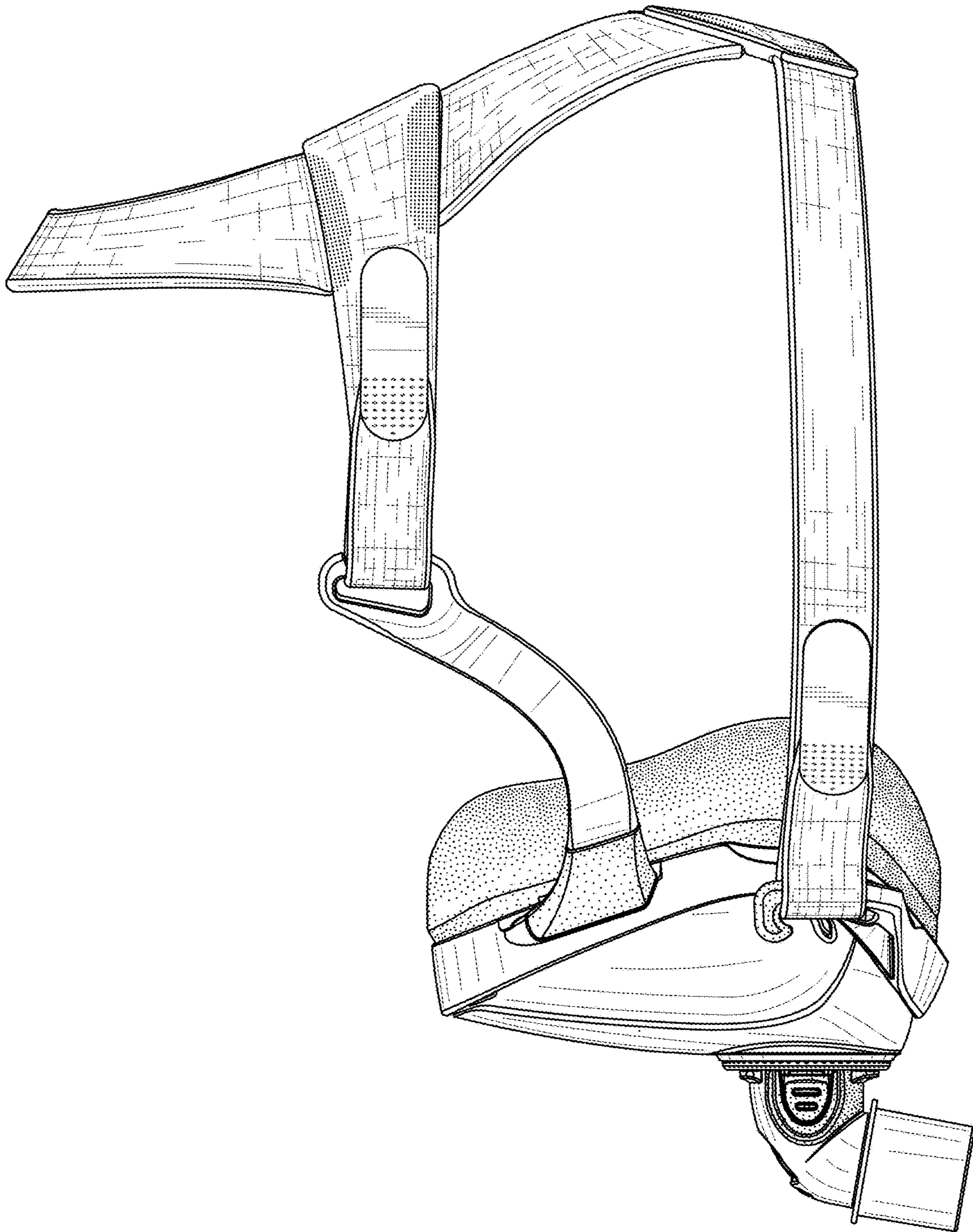


FIG. 5

FIG. 6



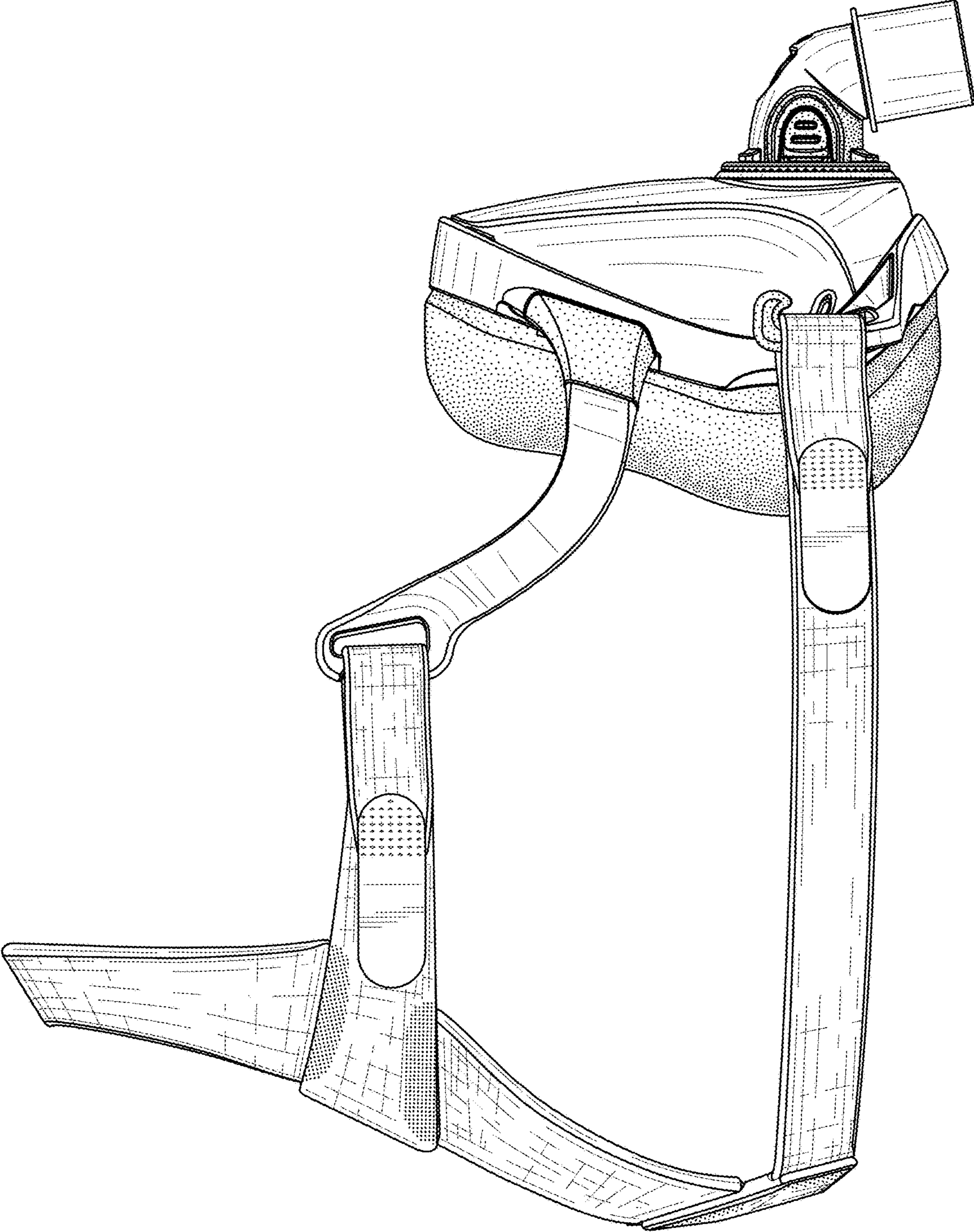


FIG. 7

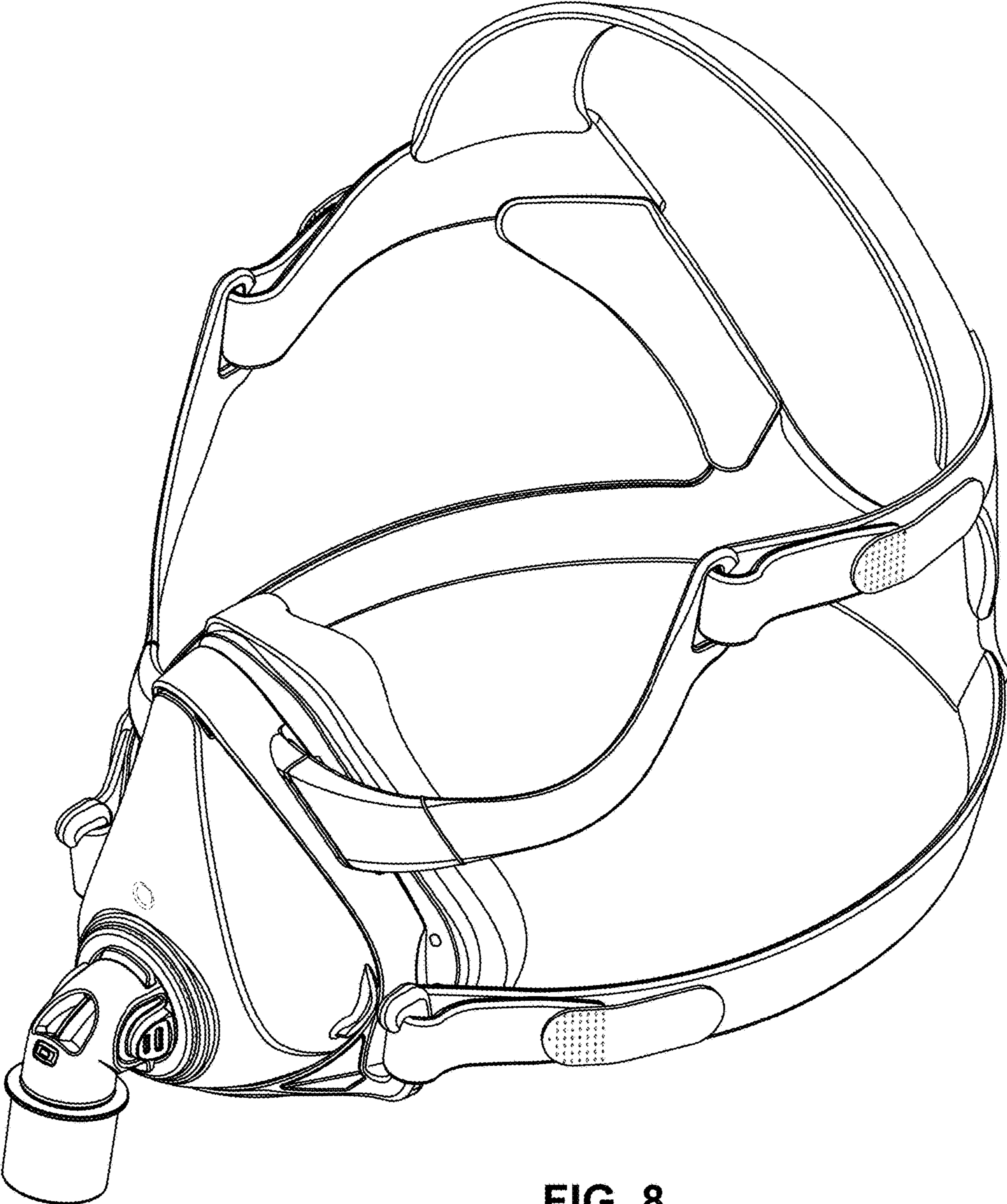


FIG. 8

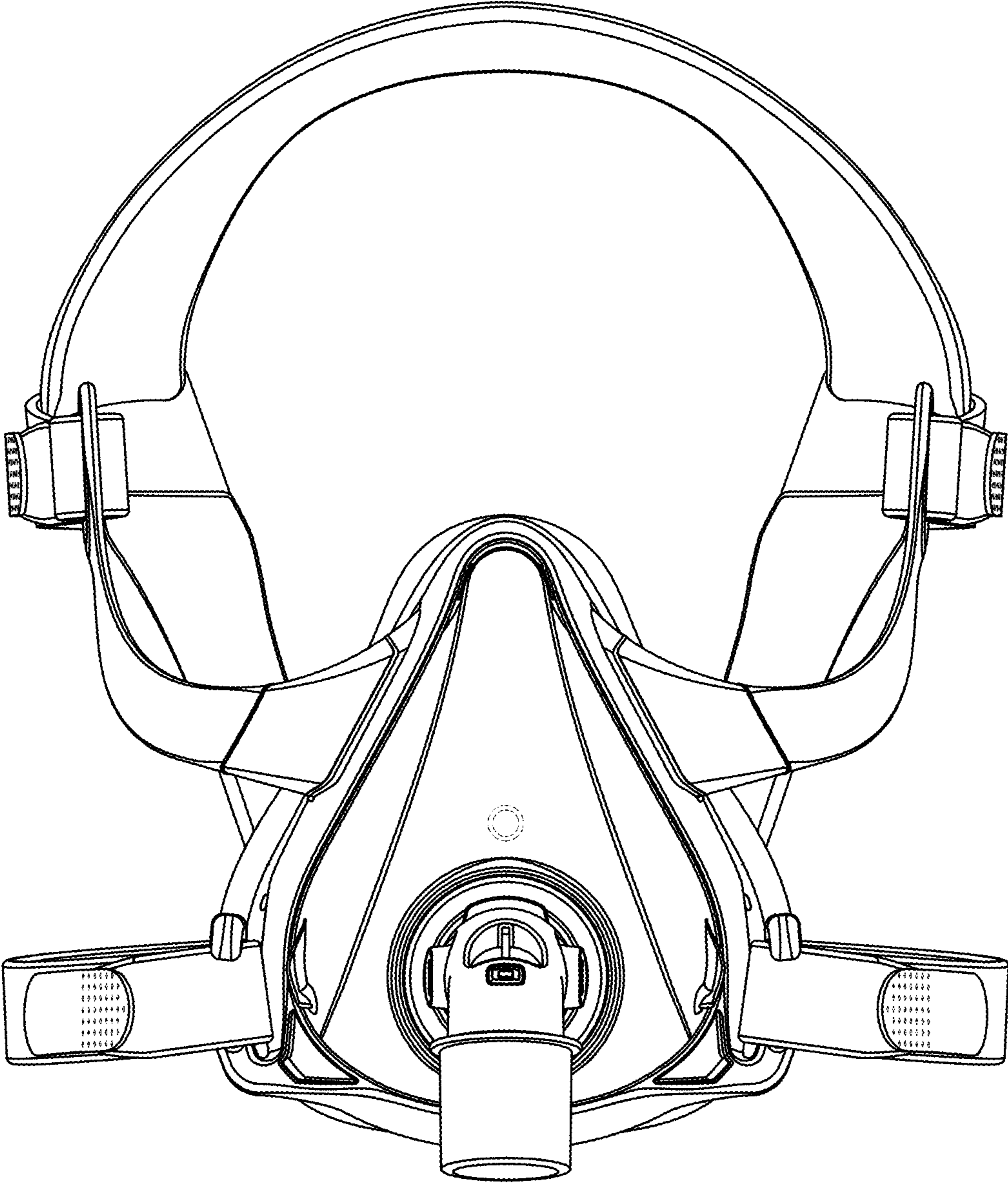


FIG. 9

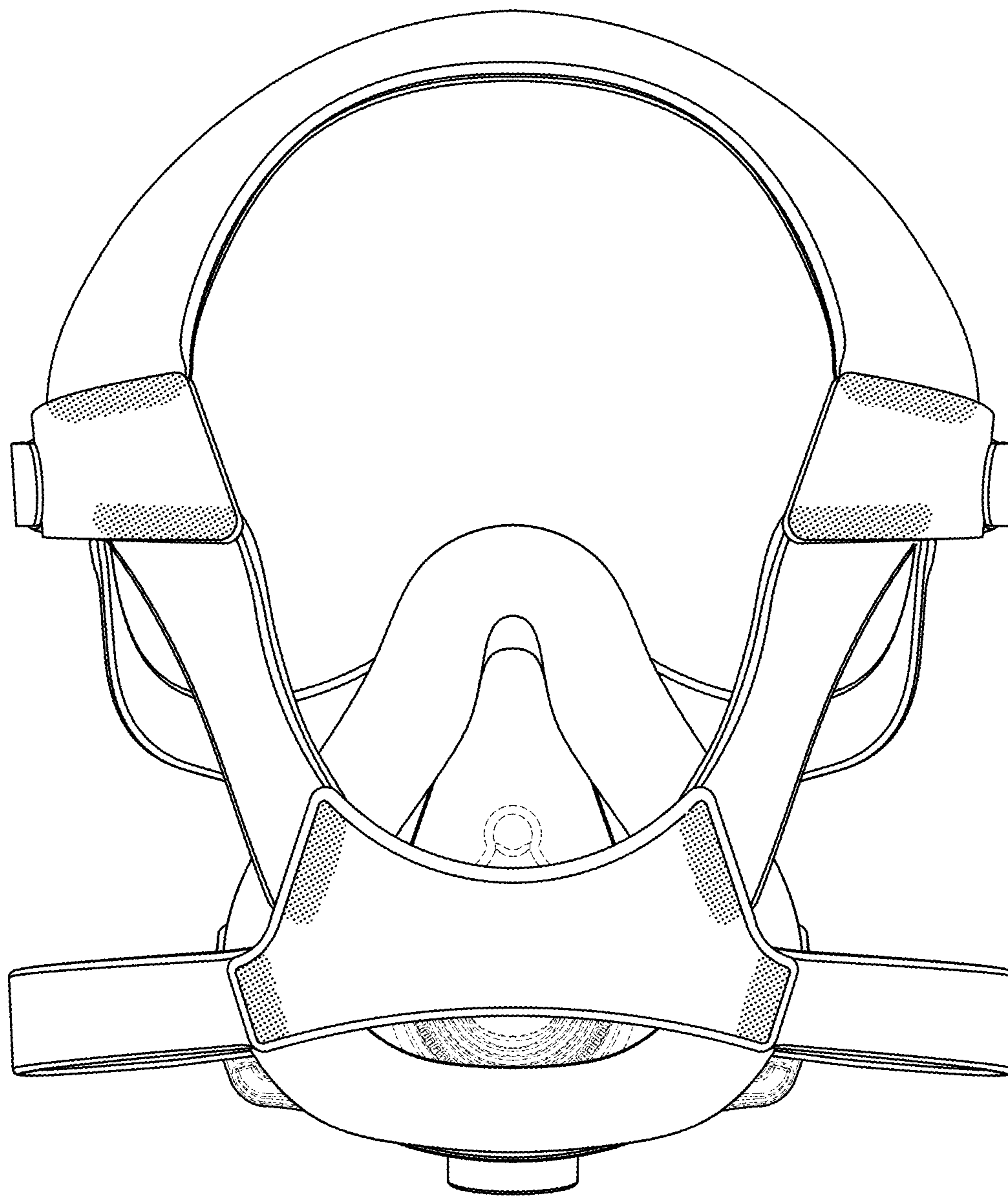


FIG. 10

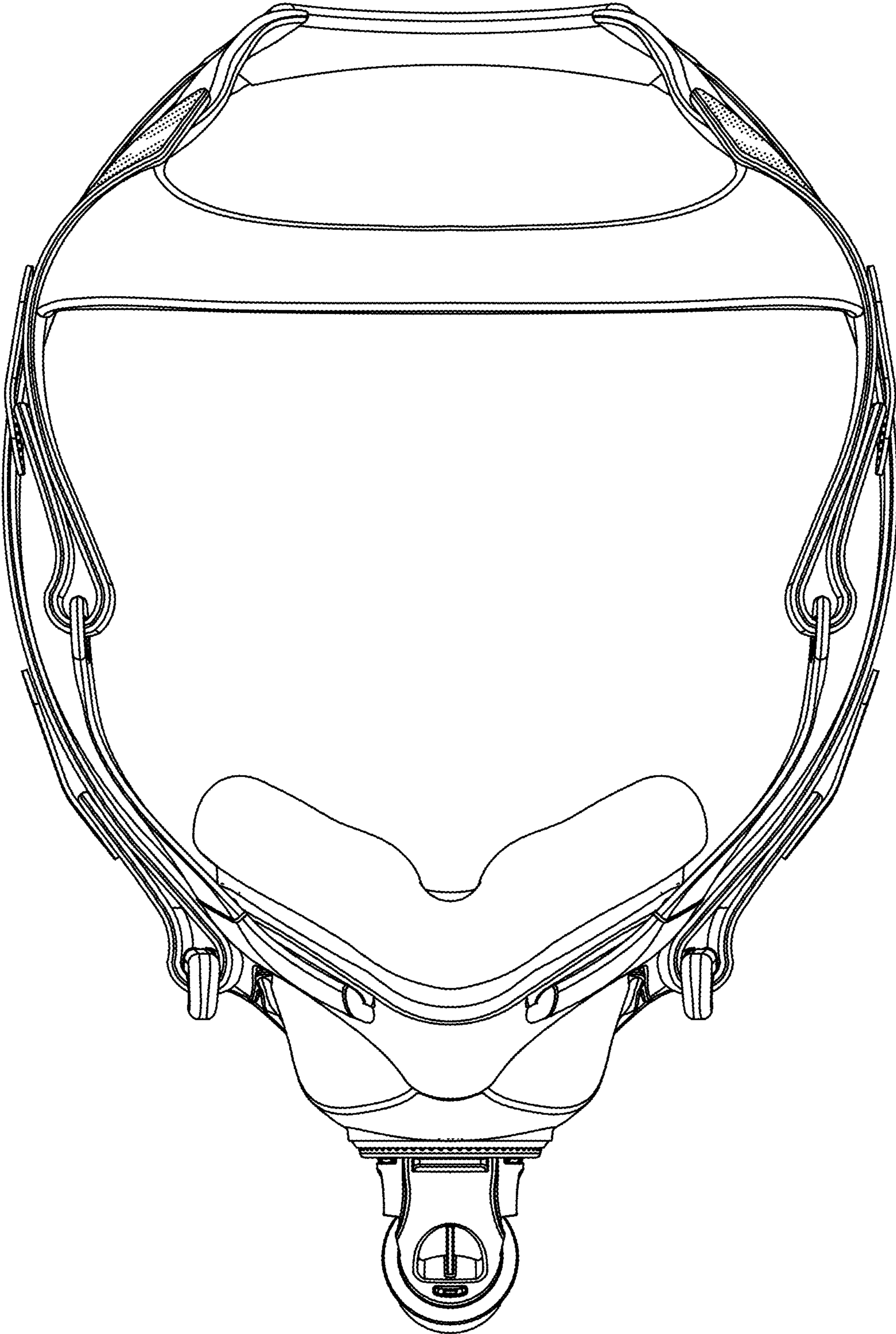


FIG. 11

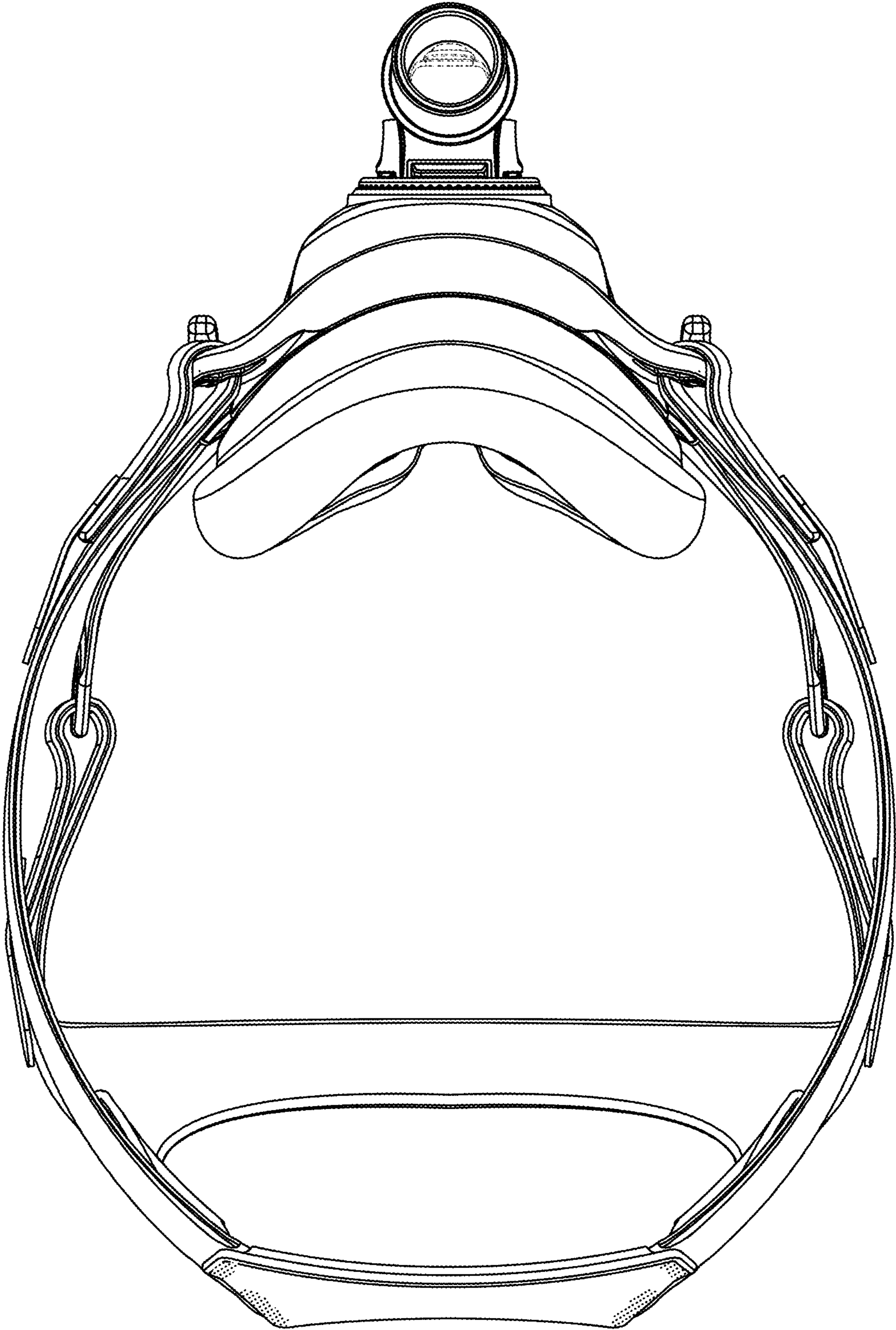
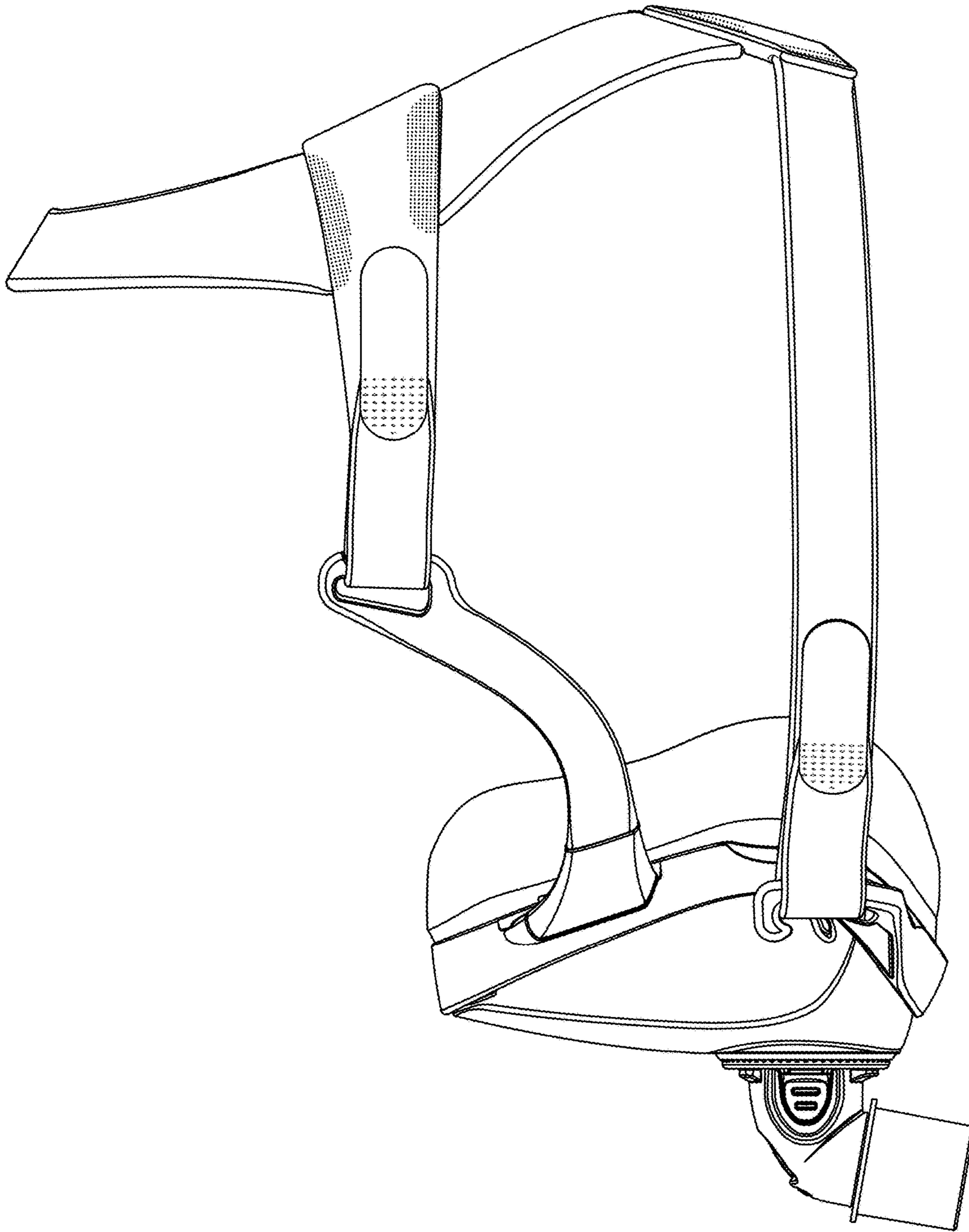


FIG. 12

FIG. 13



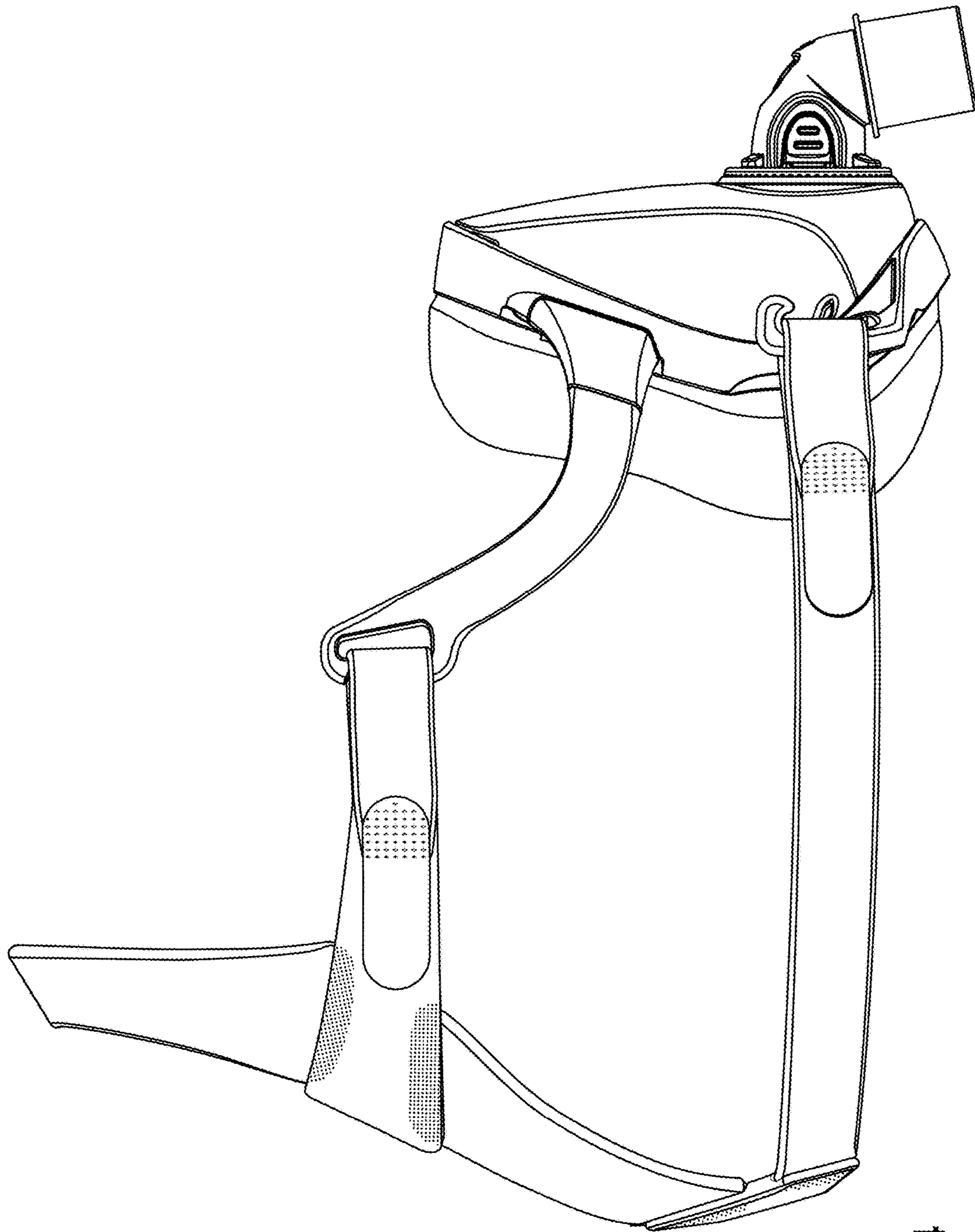


FIG. 14