



US00D782654S

(12) **United States Design Patent** (10) **Patent No.:** **US D782,654 S**
Booth (45) **Date of Patent:** **** Mar. 28, 2017**

(54) **RESPIRATORY EQUIPMENT**

(71) Applicant: **Intersurgical AG**, Vaduz (LI)

(72) Inventor: **Christopher Edgerley Booth**,
Wokingham (GB)

(73) Assignee: **Intersurgical AG**, Vaduz (LI)

(**) Term: **15 Years**

(21) Appl. No.: **29/534,041**

(22) Filed: **Jul. 24, 2015**

Related U.S. Application Data

(62) Division of application No. 29/480,998, filed on Jan. 31, 2013, now Pat. No. Des. 739,523.

(30) **Foreign Application Priority Data**

Jul. 31, 2013 (EP) 002284414

(51) **LOC (10) Cl.** **29-02**

(52) **U.S. Cl.**
USPC **D24/110**

(58) **Field of Classification Search**

USPC D24/110; 128/209, 210, 203.15, 203.12,
128/203.18, 203.19, 203.21-203.24;
(Continued)

(56) **References Cited**

U.S. PATENT DOCUMENTS

3,913,607 A 10/1975 Price
4,612,926 A 9/1986 Boiarski et al.
(Continued)

FOREIGN PATENT DOCUMENTS

GB 2 344 055 A 5/2000
GB 2 407 043 A 4/2005

OTHER PUBLICATIONS

Photograph, MKI Hudson Adjustable Breathing Apparatus, Manufacturer Hudson USA, first marketed pre 1990.

(Continued)

Primary Examiner — Wan Laymon

Assistant Examiner — Mark Booker

(74) *Attorney, Agent, or Firm* — LeClairRyan, a
Professional Corporation

(57) **CLAIM**

The ornamental design for a respiratory equipment, as shown and described.

DESCRIPTION

FIG. 1 is a front view of respiratory equipment.
FIG. 2 is a rear view of the respiratory equipment shown in FIG. 1.

FIG. 3 is a left side view of the respiratory equipment shown in FIG. 1.

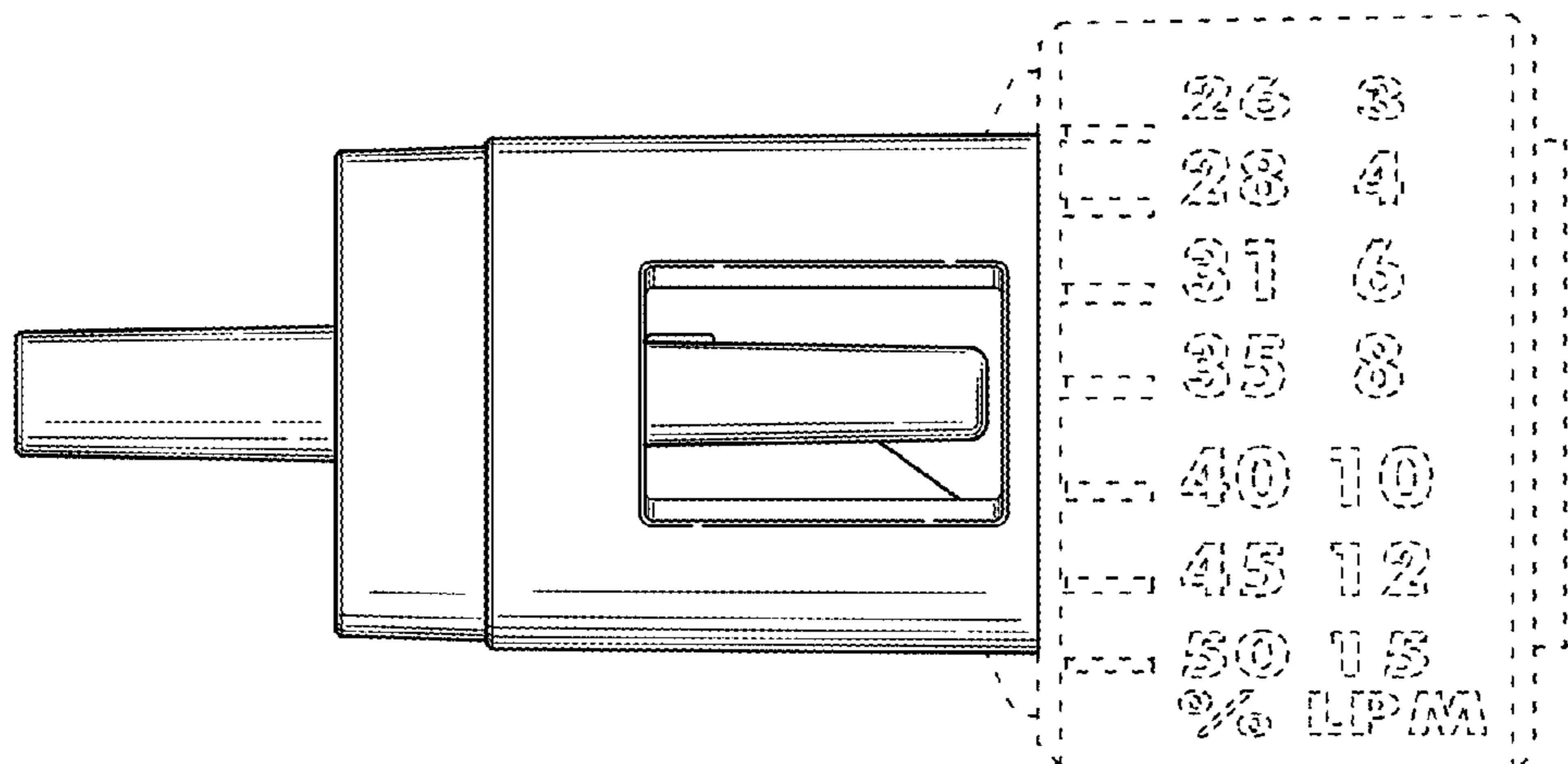
FIG. 4 is a left front perspective view of the respiratory equipment shown in FIG. 1; and,

FIG. 5 is a left rear perspective view of the respiratory equipment shown in FIG. 1.

The designations of the views below as top, bottom, right side, left side, front, and rear are for ease of discussion only and are not intended to limit the respiratory equipment to one particular orientation. The respiratory equipment can be oriented in other directions which would alter these designations. The views are not necessarily shown in the same scale, and any change in scale between different views is not intended to limit the respiratory equipment to a particular size.

The portions of the respiratory equipment shown in broken lines appearing in FIGS. 1-5 are directed to environment and form no part of the claimed design.

1 Claim, 3 Drawing Sheets



(58) **Field of Classification Search**

USPC 137/271, 556.6, 604, 556.3; 222/390,
222/368, 321; 417/178, 196, 198;
431/13, 17, 114, 156, 354, 355
CPC A61M 16/12; A61M 2205/42; A61M
16/127; A61M 16/10; A61M 16/125;
A61M 11/06; A61M 16/16; A61M 11/02;
A61M 15/0065; A61M 15/0068; A61M
15/0025; A61M 2202/064; A61M 11/002;
A61M 15/00; A61M 11/00; A61M
2207/00; B65B 7/14; B65B 3/04; G06M
1/163

See application file for complete search history.

(56) **References Cited**

U.S. PATENT DOCUMENTS

4,848,333 A 7/1989 Waite
RE33,642 E 7/1991 Lester
5,203,323 A * 4/1993 Tritle A61M 15/0086
128/200.23
5,413,256 A * 5/1995 Mitchell B23P 15/001
222/368
5,415,162 A * 5/1995 Casper A61M 15/0045
128/203.12
D360,029 S * 7/1995 Yoshikawa D23/365
5,505,195 A * 4/1996 Wolf A61M 15/0045
128/200.23
5,584,285 A 12/1996 Salter et al.
5,687,710 A 11/1997 Ambrosio et al.

5,740,792 A 4/1998 Ashley et al.
5,829,434 A 11/1998 Ambrosio et al.
D447,561 S 9/2001 Rudzena et al.
D481,946 S 11/2003 Nicholson et al.
7,900,625 B2 3/2011 Kleinstreuer et al.
7,954,487 B2 6/2011 Grychowski et al.
D653,749 S * 2/2012 Winter D24/110.6
D657,047 S * 4/2012 Minskoff D24/110
8,479,725 B2 7/2013 Hausmann et al.
D707,555 S 6/2014 Vogel et al.
D739,523 S * 9/2015 Booth D24/110
2003/0015195 A1 1/2003 Haaije de Boer et al.
2004/0099628 A1 5/2004 Casterlin
2005/0252509 A1 11/2005 Rustad et al.
2007/0151562 A1 7/2007 Jones et al.
2008/0083407 A1 4/2008 Grychowski et al.
2010/0108058 A1 5/2010 Glusker et al.
2012/0000461 A1 1/2012 Grychowski et al.
2014/0373831 A1 12/2014 Culbertson et al.
2015/0068519 A1 * 3/2015 Bambrilla A61M 16/0096
128/202.27

OTHER PUBLICATIONS

Photograph, Percent-O2-Lock Breathing Apparatus, Manufacturer Salter Labs, first marketed approximately 1992.
Photograph, Breathing Apparatus, Manufacturer Carbueros Metalicos Spain, first marketed approximately 1993.
Photograph, Breathing Apparatus, Manufacturer Unknown Spanish origin, first marketed approximately 1997.

* cited by examiner

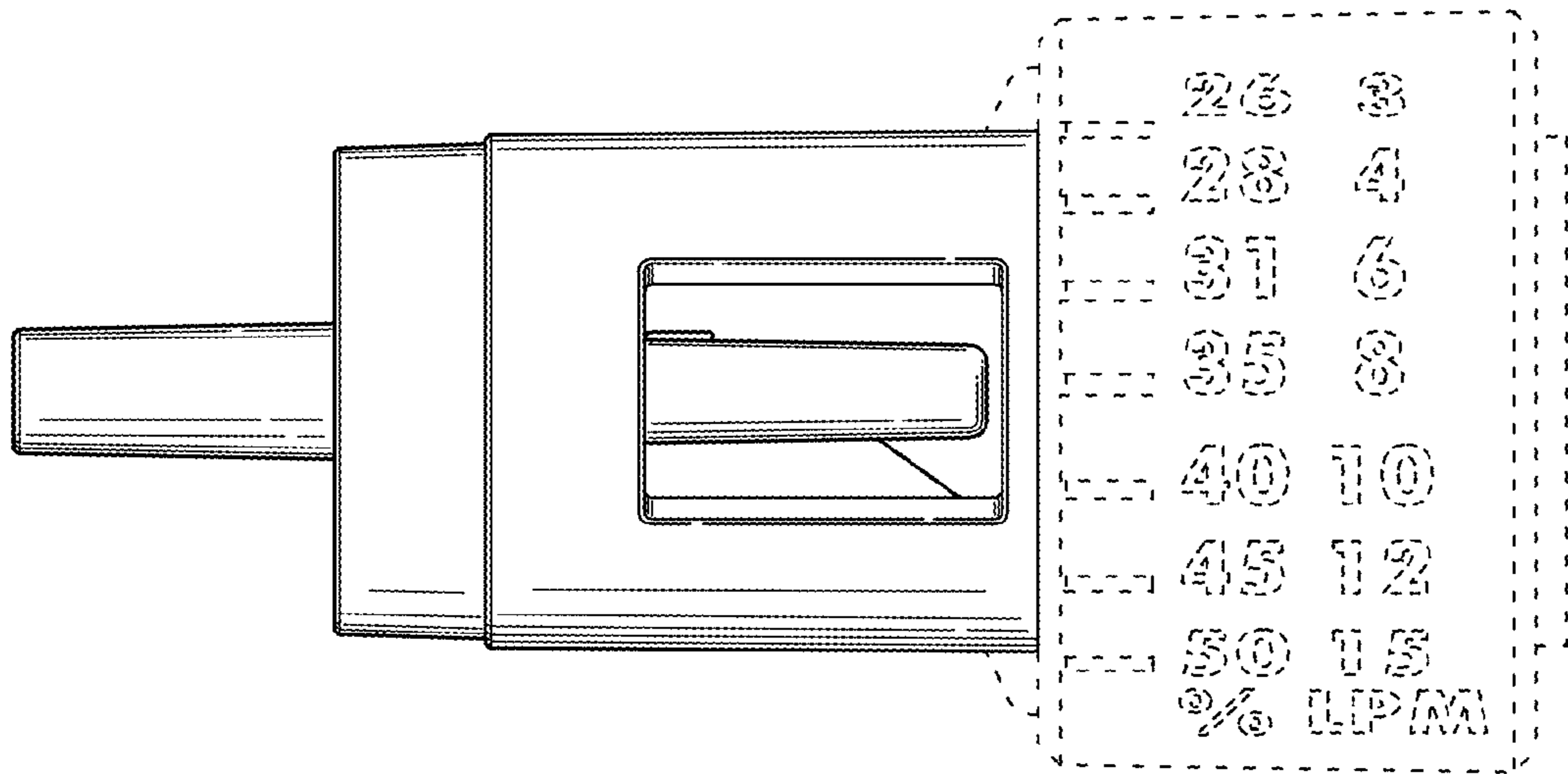


Fig. 1

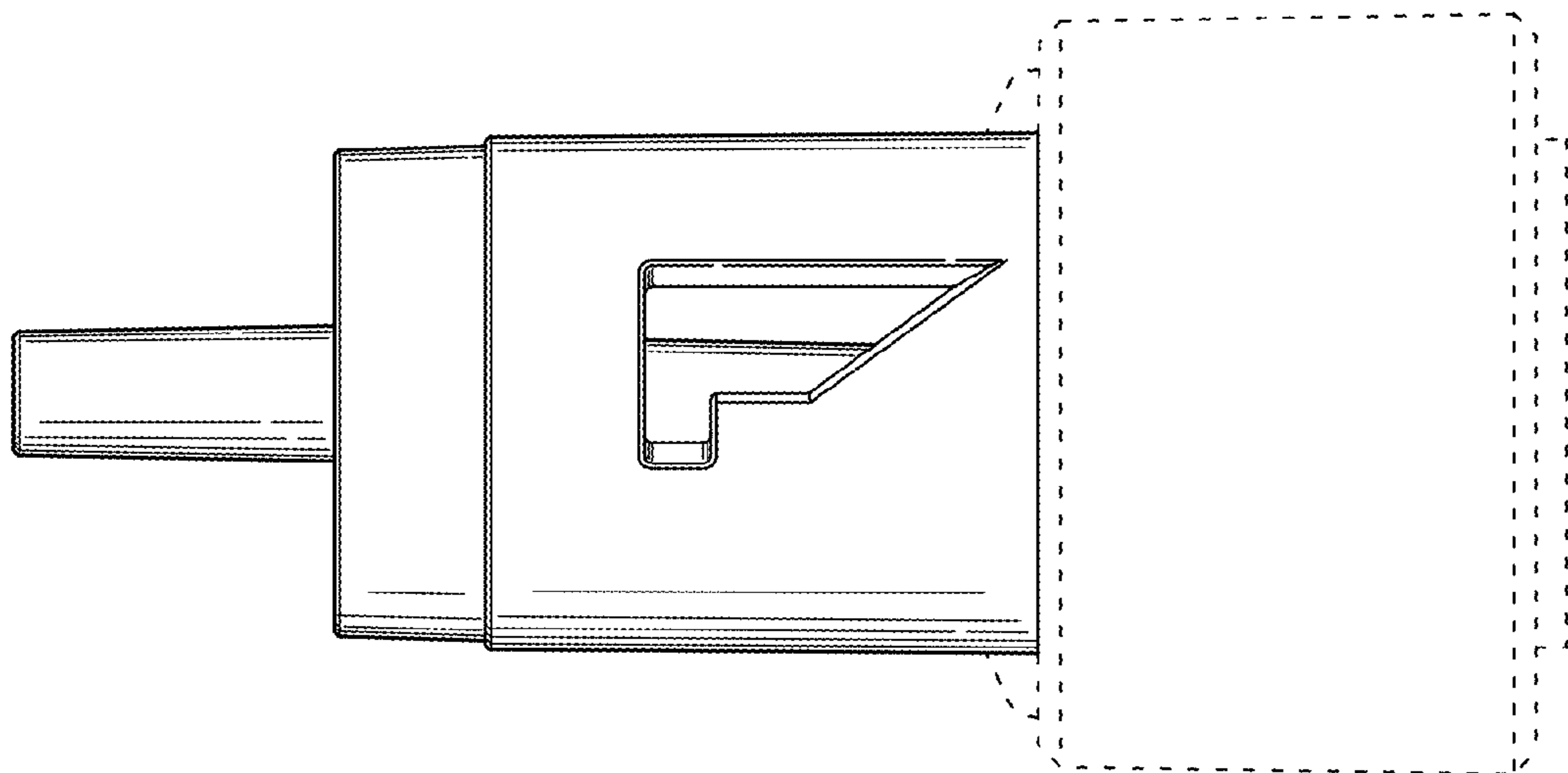


Fig. 2

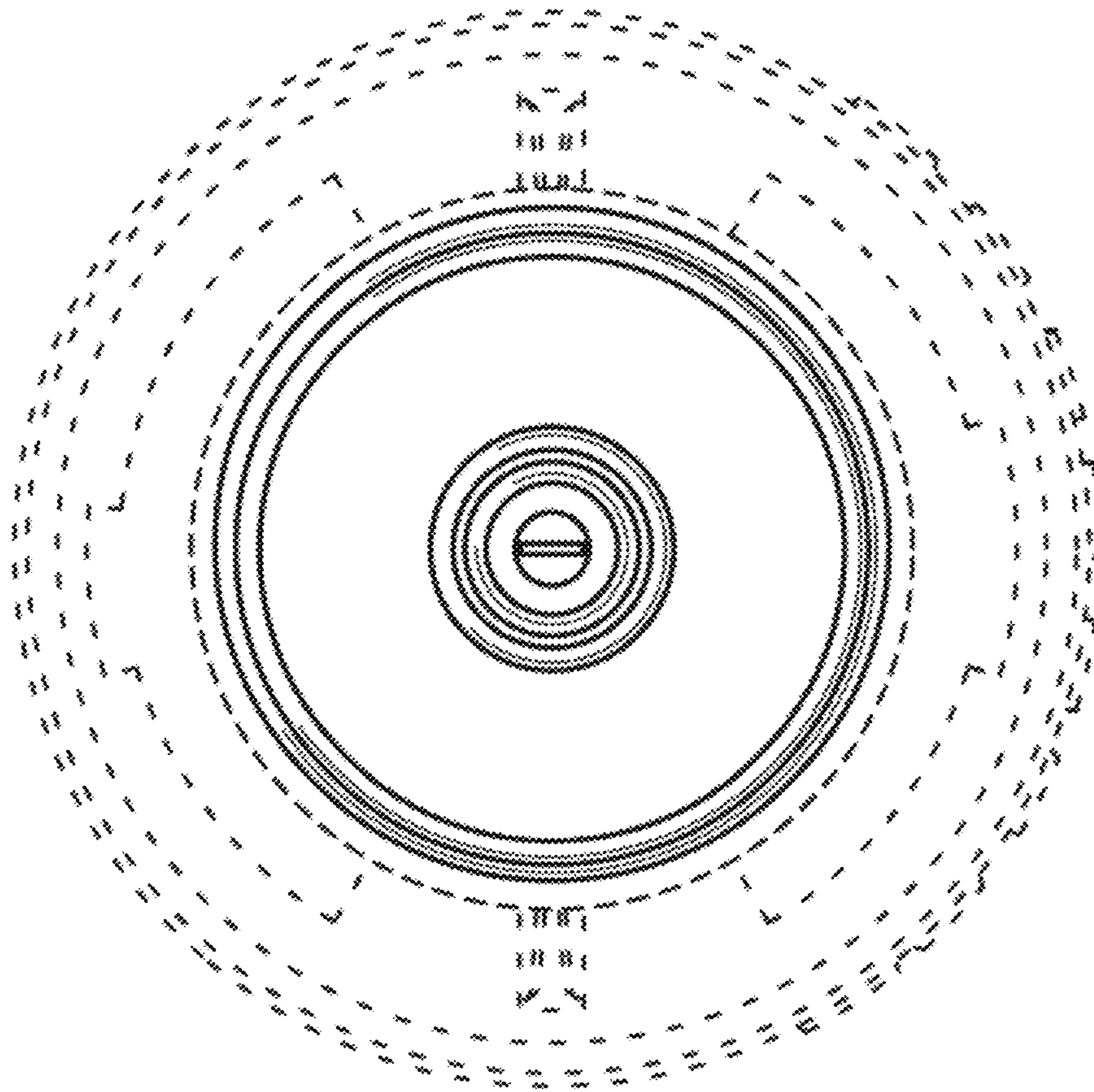


Fig. 3

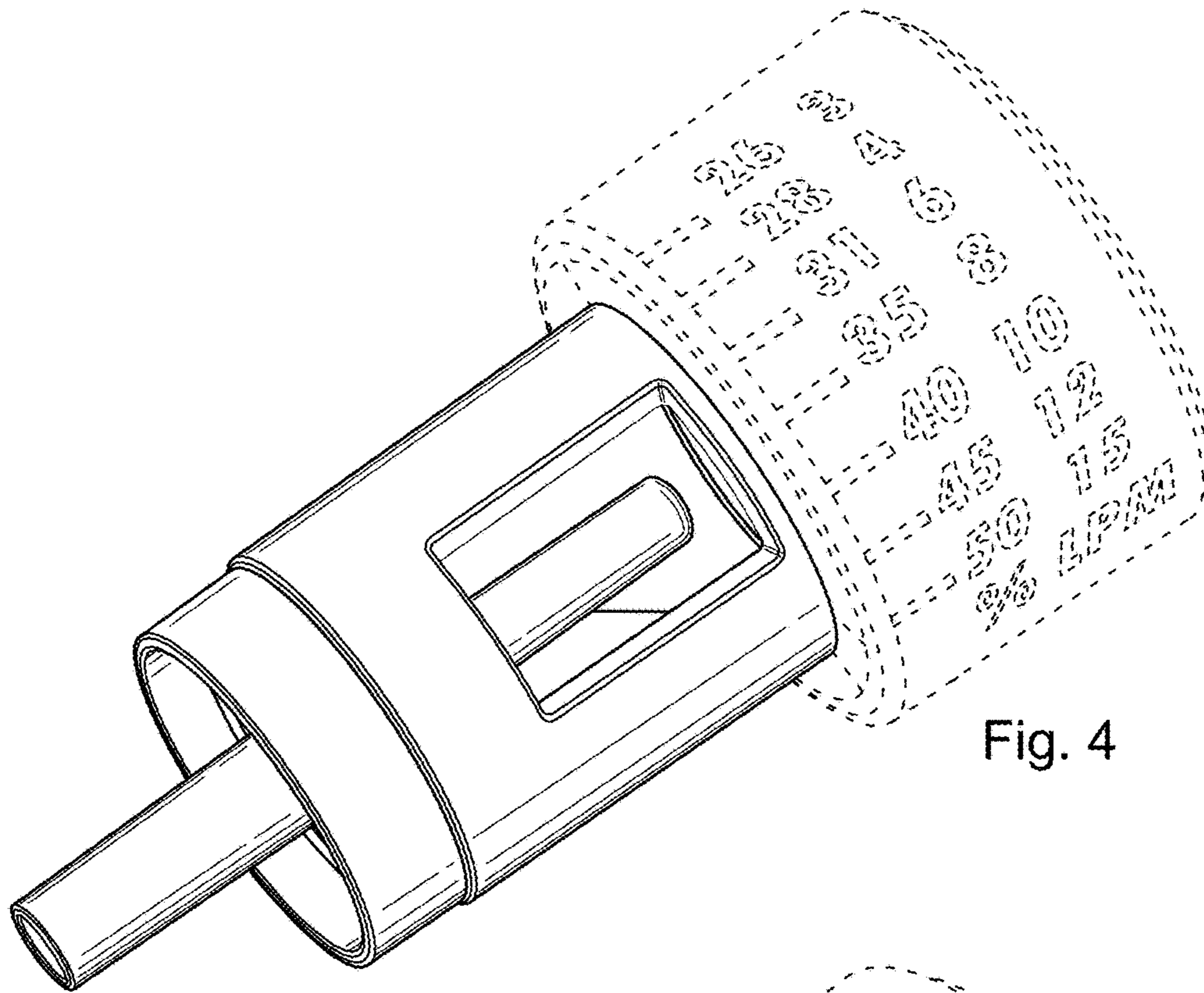


Fig. 4

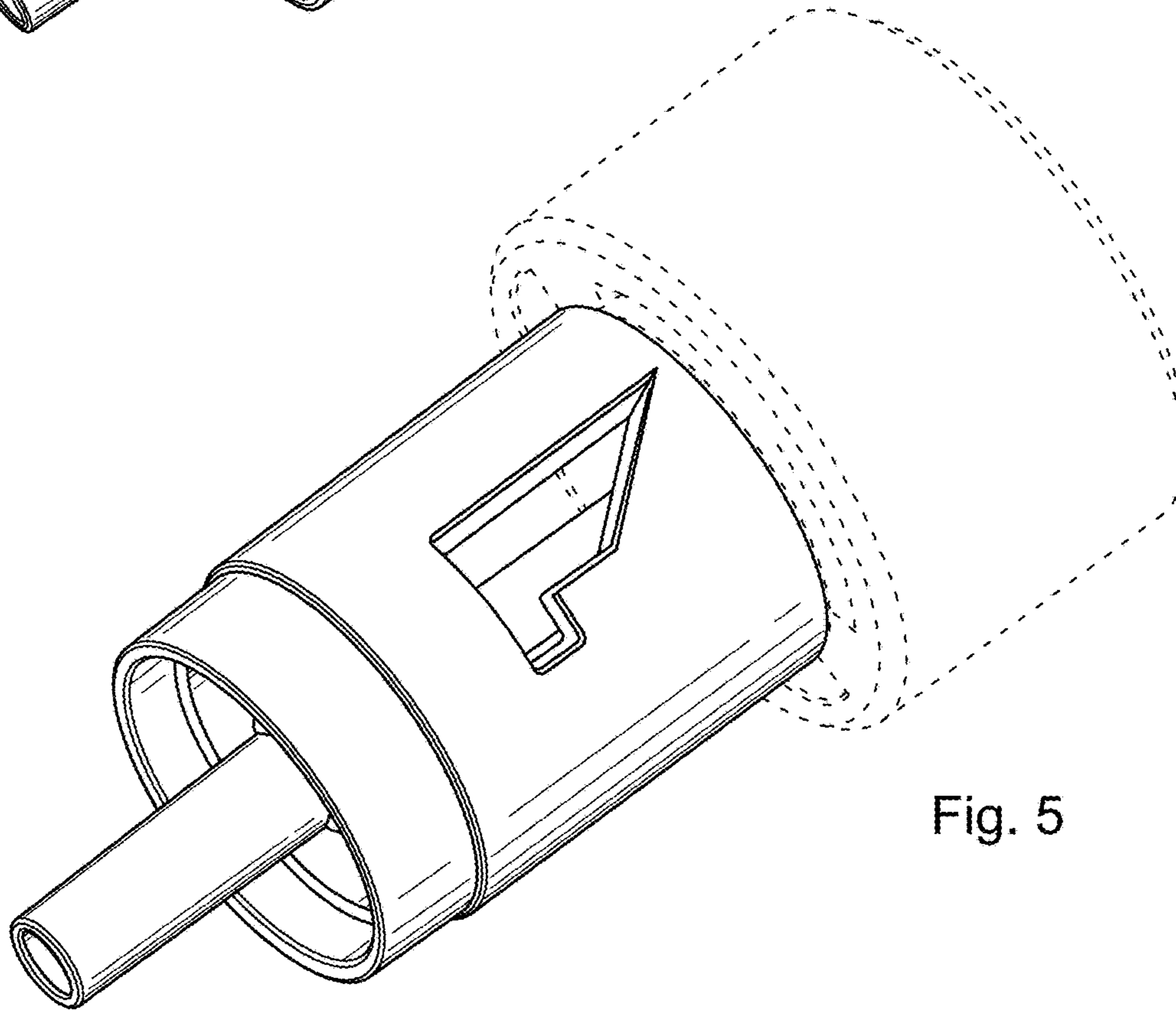


Fig. 5