



US00D782644S

(12) **United States Design Patent** (10) **Patent No.:** **US D782,644 S**  
**Wang** (45) **Date of Patent:** **\*\* Mar. 28, 2017**

(54) **CEILING FAN**  
(71) Applicant: **YOUNGO LIMITED**, Hong Kong (CN)  
(72) Inventor: **Cliff Wang**, Taichung (TW)  
(73) Assignee: **YOUNGO LIMITED**, Hong Kong (CN)  
(\*\*) Term: **15 Years**  
(21) Appl. No.: **29/554,020**  
(22) Filed: **Feb. 6, 2016**  
(51) **LOC (10) Cl.** ..... **23-04**  
(52) **U.S. Cl.**  
USPC ..... **D23/377**  
(58) **Field of Classification Search**  
USPC ..... D23/355, 370-387, 411-414; D26/59; D12/214  
CPC ..... F04D 25/088; F21V 33/0096  
See application file for complete search history.

D726,299 S \* 4/2015 Schulzman ..... D23/413  
D744,634 S \* 12/2015 Wang ..... D23/411  
D758,562 S \* 6/2016 Gajewski ..... D23/411  
D771,794 S \* 11/2016 Wang ..... D23/411  
2010/0135810 A1\* 6/2010 Gorali ..... F04D 29/34  
416/204 R  
2013/0189109 A1\* 7/2013 Noble ..... F01D 5/02  
416/219 R

\* cited by examiner

*Primary Examiner* — Cathron Brooks  
*Assistant Examiner* — Sharon S Oum

(74) *Attorney, Agent, or Firm* — Pai Patent & Trademark Law Firm; Chao-Chang David Pai

(57) **CLAIM**

The ornamental design for a ceiling fan, as shown and described.

**DESCRIPTION**

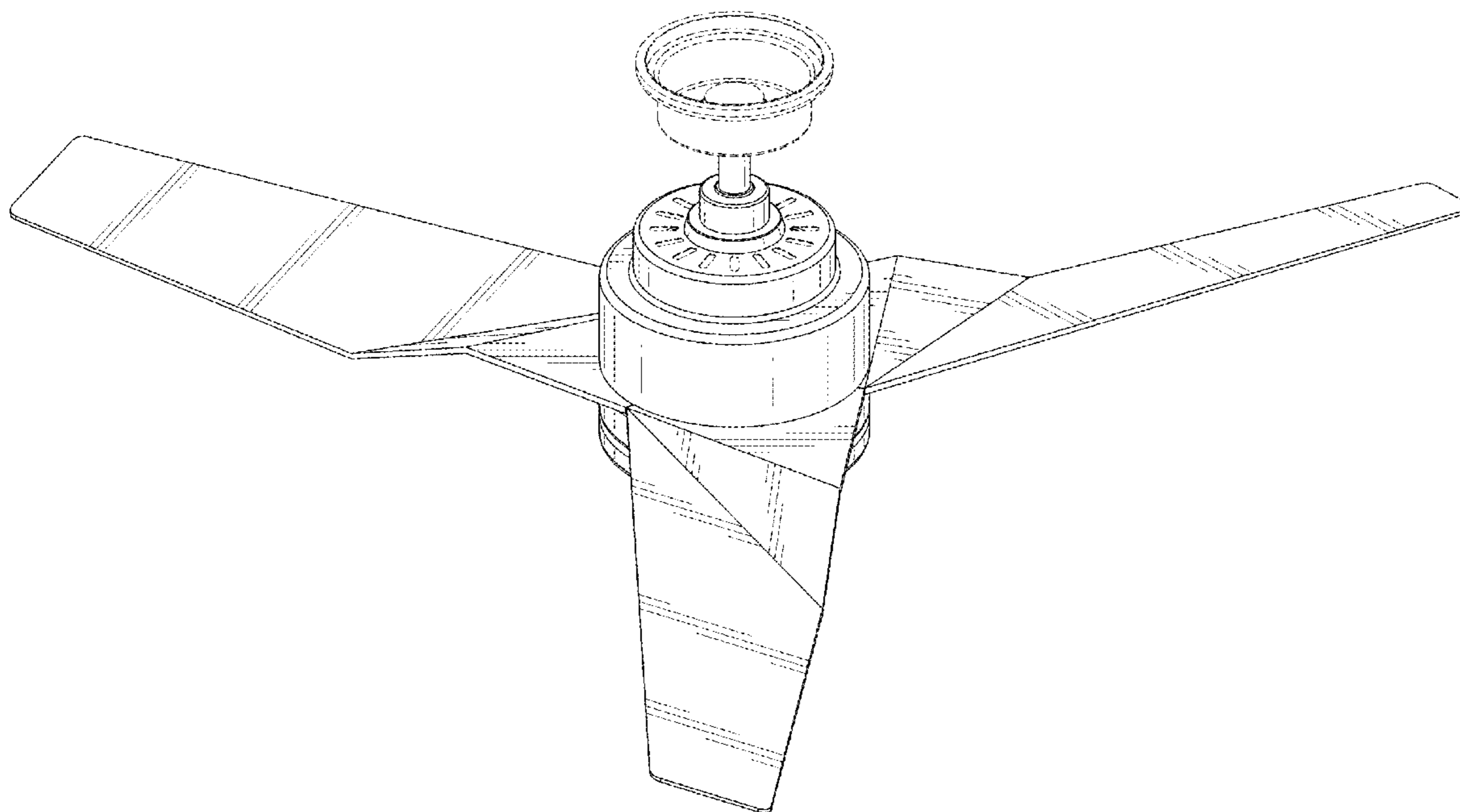
FIG. 1 is a front top perspective view of a ceiling fan showing my new design;  
FIG. 2 is a front elevational view thereof;  
FIG. 3 is a rear elevational view thereof;  
FIG. 4 is a left side elevational view thereof;  
FIG. 5 is a right side elevational view thereof;  
FIG. 6 is a top plan view thereof;  
FIG. 7 is a bottom plan view thereof; and,  
FIG. 8 is a front bottom perspective view thereof.  
The broken lines are for the purpose of illustrating environmental structure and form no part of the claimed design.

**1 Claim, 6 Drawing Sheets**

(56) **References Cited**

**U.S. PATENT DOCUMENTS**

D393,902 S \* 4/1998 Pickett ..... D23/377  
D408,518 S \* 4/1999 Liu ..... D23/377  
D409,742 S \* 5/1999 Yang ..... D23/377  
D463,020 S \* 9/2002 Liu ..... D23/377  
D478,161 S \* 8/2003 Collmar ..... D23/377  
D598,997 S \* 8/2009 Klausung ..... D23/377  
D692,120 S \* 10/2013 Noble ..... D23/385



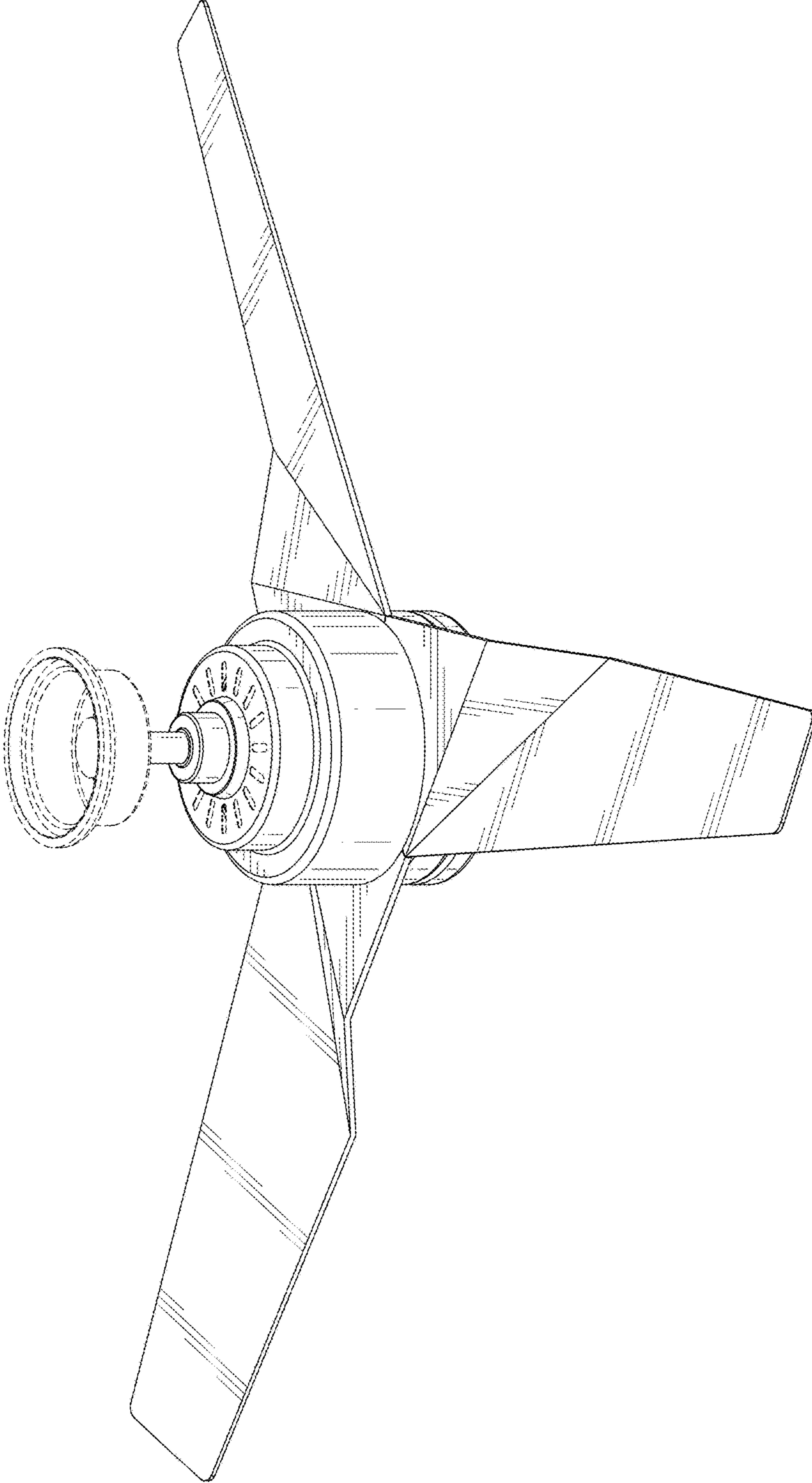


FIG. 1

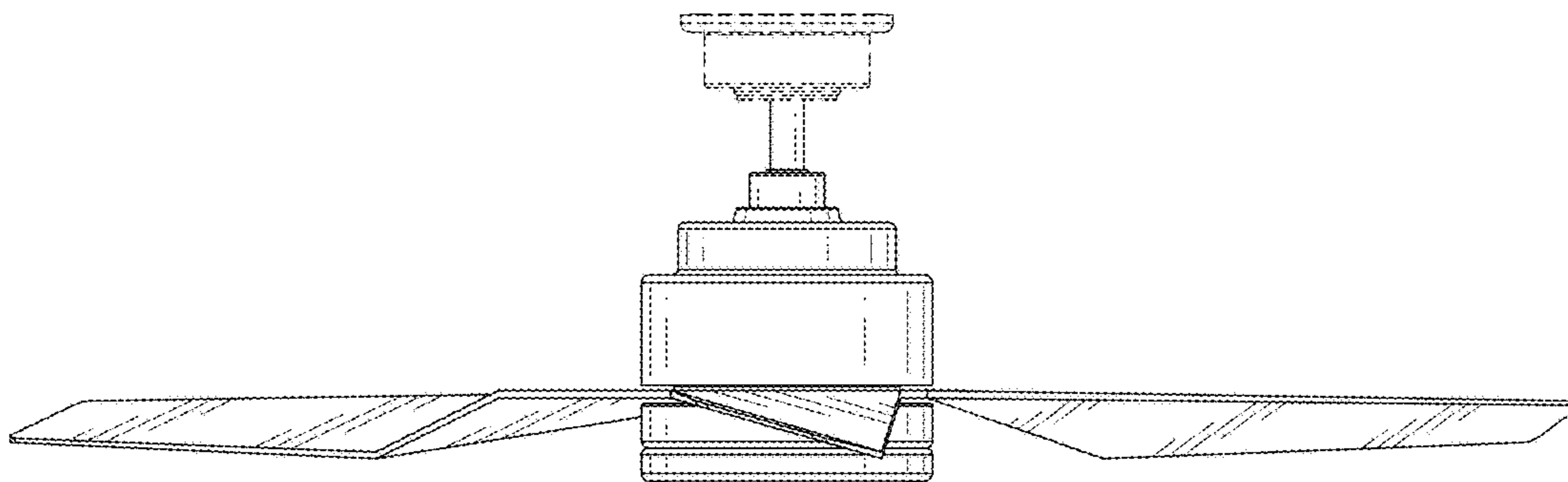


FIG. 2

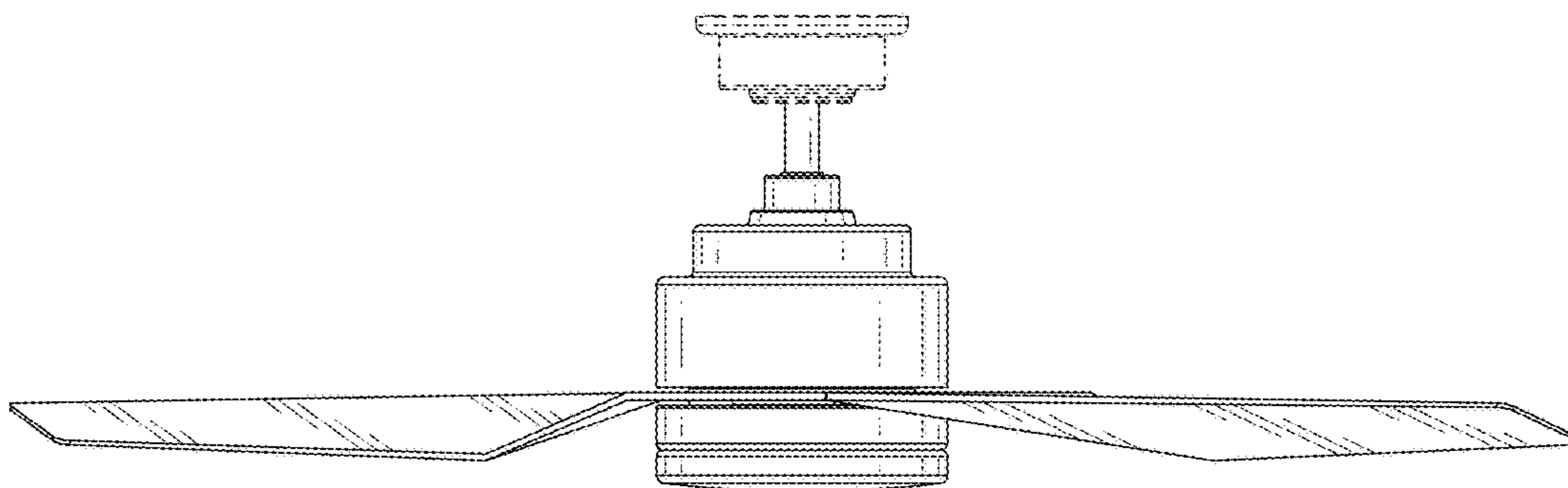


FIG. 3

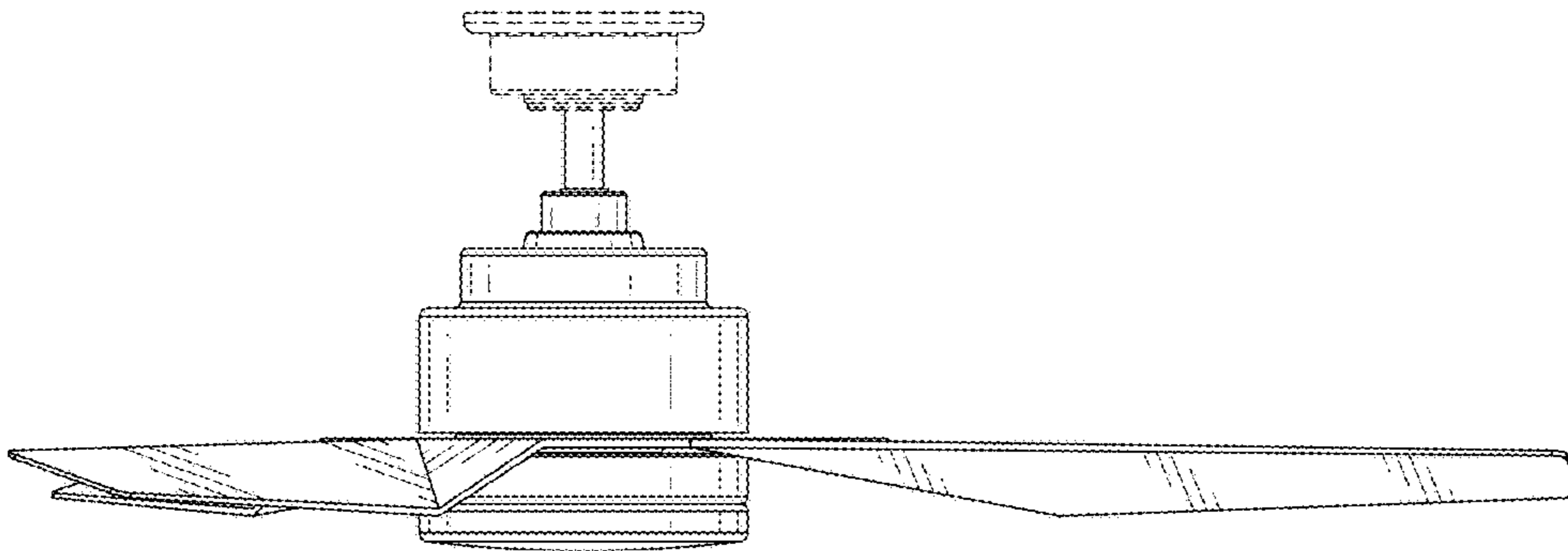


FIG. 4

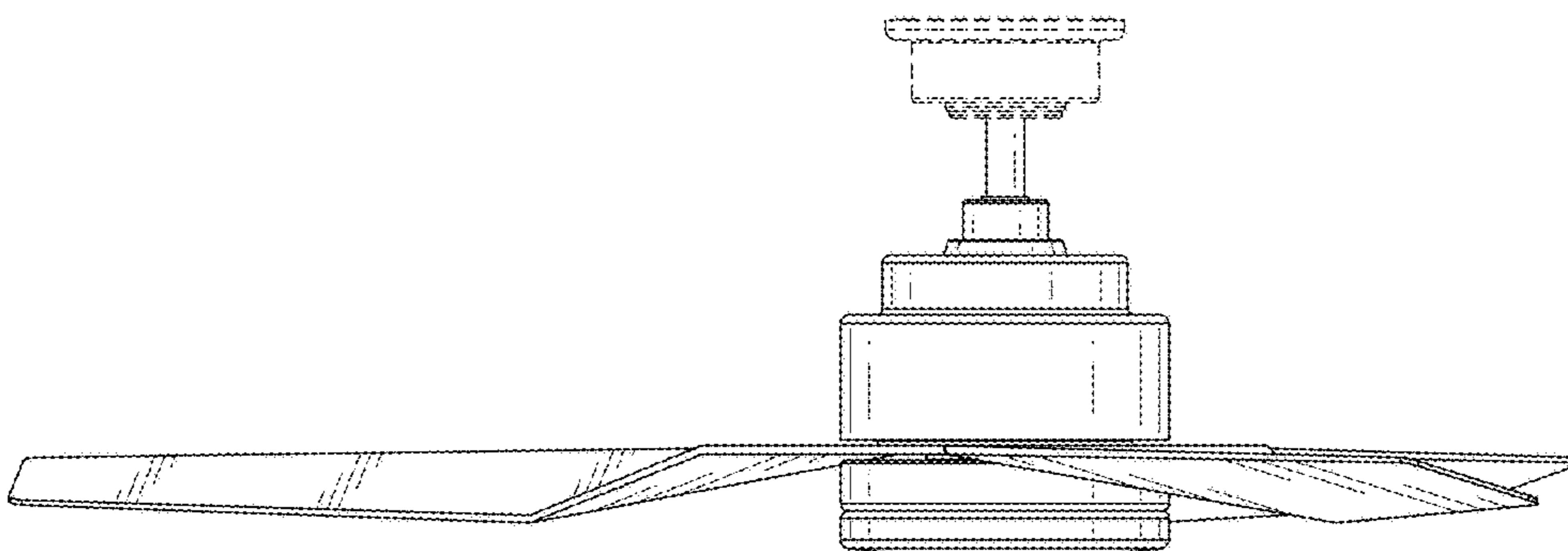


FIG. 5

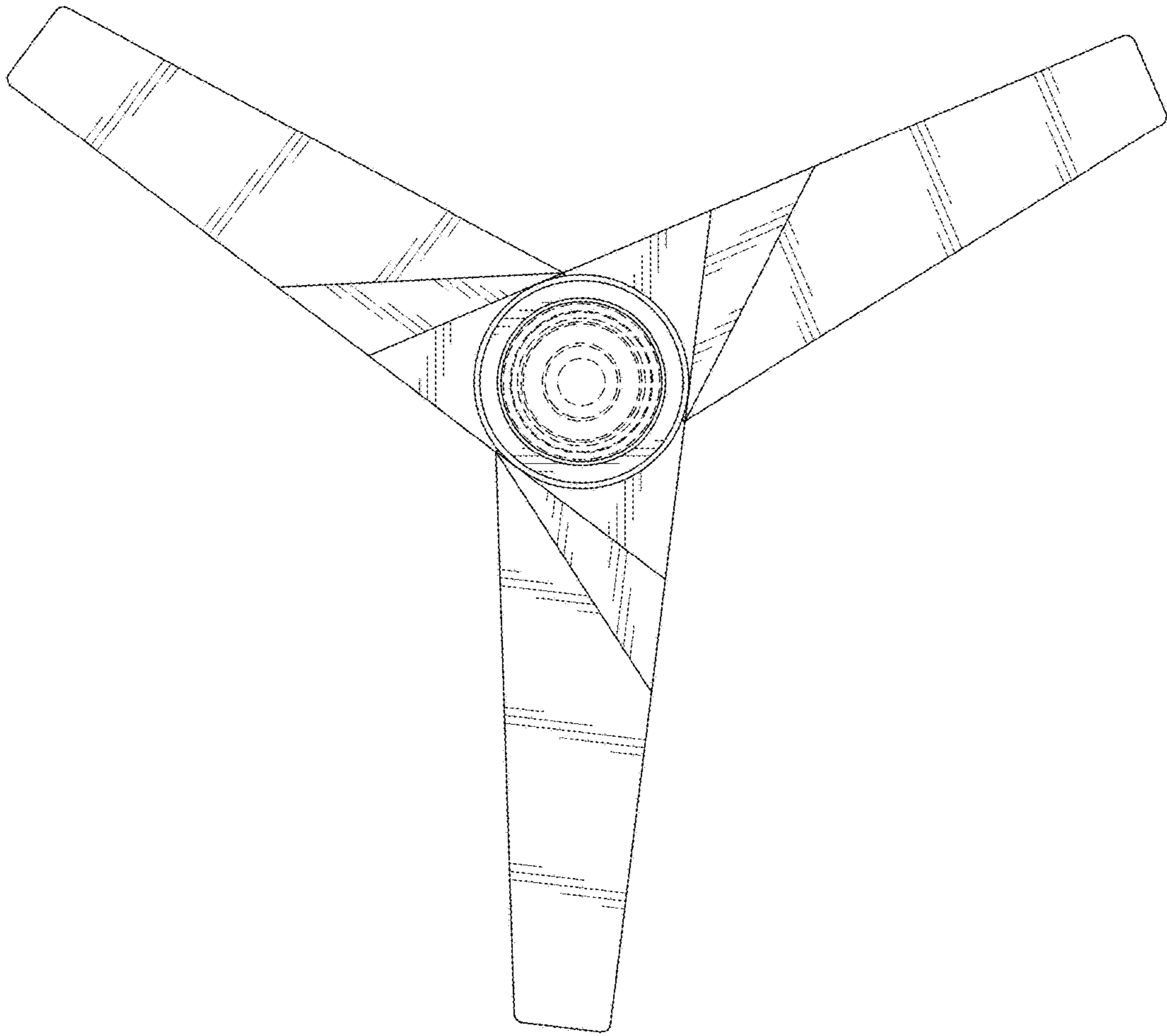


FIG. 6

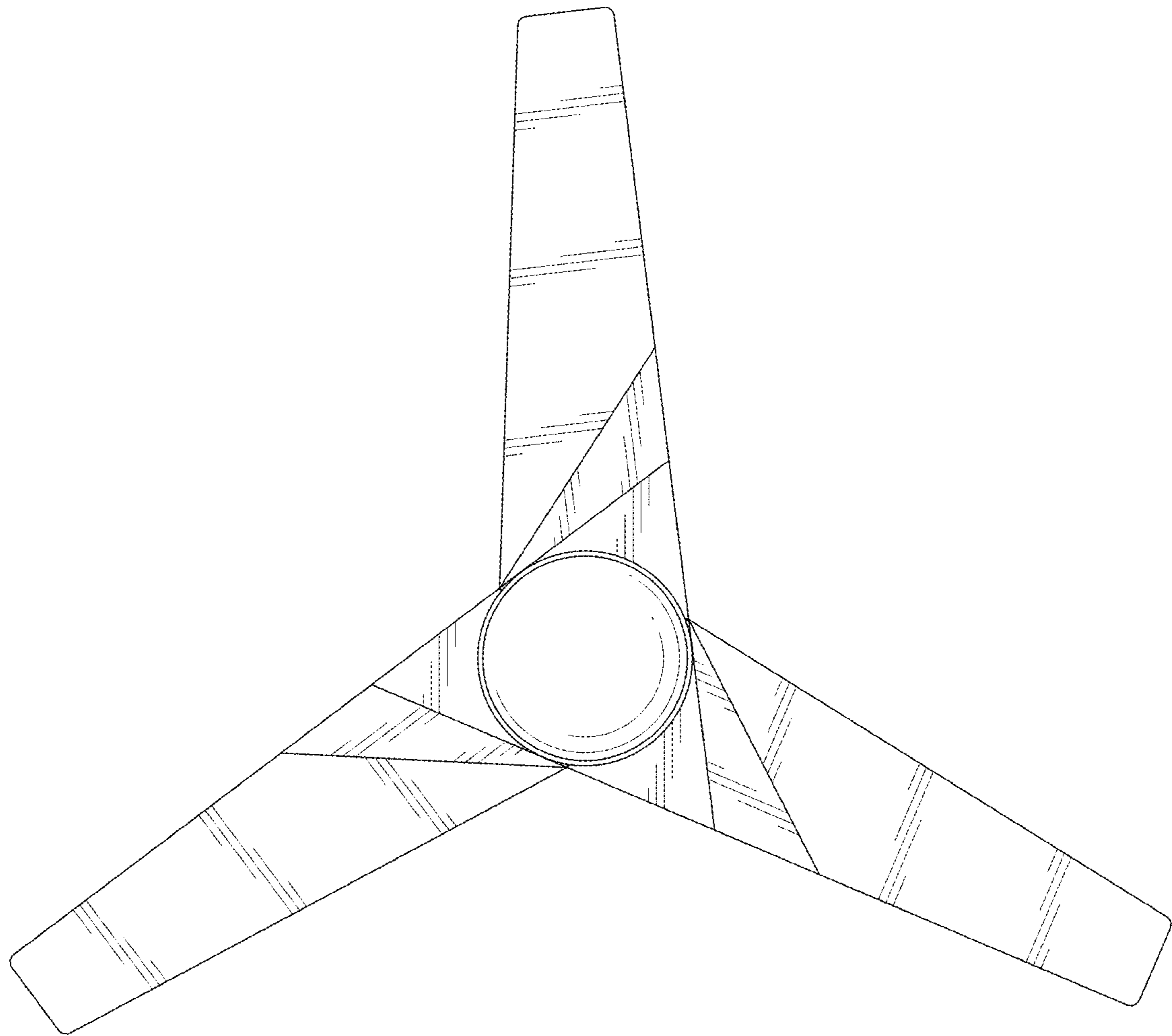


FIG. 7

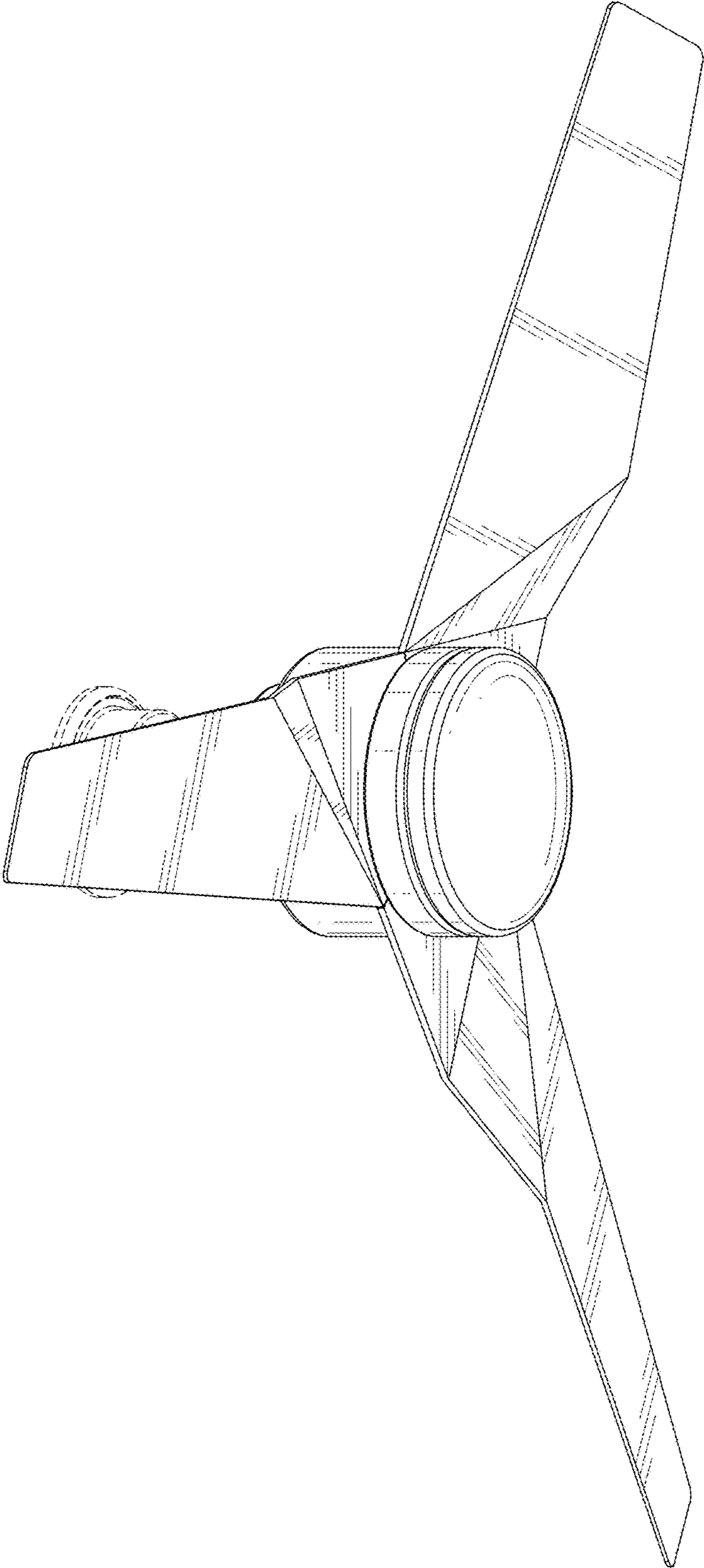


FIG. 8