



US00D782641S

(12) **United States Design Patent** (10) **Patent No.:** **US D782,641 S**
Poulton et al. (45) **Date of Patent:** **** Mar. 28, 2017**

(54) **FAN**
(71) Applicant: **Dyson Technology Limited**, Wiltshire (GB)
(72) Inventors: **Roy Edward Poulton**, Swindon (GB); **Ben Thomas Edmonds**, Swindon (GB); **George Oram**, Gloucester (GB); **Thomas Douglas Ridley**, Bristol (GB); **Leanne Joyce Garner**, Bristol (GB); **Adam James Bates**, Oxford (GB); **Peter David Gammack**, Swindon (GB); **William Richard Hunt**, Bristol (GB); **Richard John Fox**, Bristol (GB)

(73) Assignee: **Dyson Technology Limited**, Malmesbury, Wiltshire (GB)

(**) Term: **15 Years**

(21) Appl. No.: **29/548,338**

(22) Filed: **Dec. 11, 2015**

(30) **Foreign Application Priority Data**

Jun. 11, 2015 (EM) 001435770-0002

(51) **LOC (10) Cl.** **23-04**

(52) **U.S. Cl.**
USPC **D23/370**

(58) **Field of Classification Search**
USPC D23/370, 355, 385, 386, 342, 336, 337, D23/376, 378
CPC F04D 29/703; F04D 29/403; F04D 3/00; F04D 17/00
See application file for complete search history.

(56) **References Cited**

U.S. PATENT DOCUMENTS

D602,143 S * 10/2009 Gammack D23/370
D605,748 S * 12/2009 Gammack D23/370

D614,280 S * 4/2010 Dyson D23/370
D672,024 S * 12/2012 Fitton D23/370
D678,993 S * 3/2013 Kung-Hua D23/370
D681,793 S * 5/2013 Li D23/370
D729,373 S * 5/2015 Dos Reis D23/370
D729,374 S * 5/2015 Dos Reis D23/370
D729,375 S * 5/2015 Dos Reis D23/370
D746,425 S * 12/2015 Dyson D23/356
D746,966 S * 1/2016 Dyson D23/356
D747,450 S * 1/2016 Dyson D23/356
2010/0226754 A1 * 9/2010 Hutton F24F 7/065
415/90
2010/0254800 A1 * 10/2010 Fitton F04D 25/08
415/90
2012/0093629 A1 * 4/2012 Fitton F04D 25/08
415/90

(Continued)

Primary Examiner — Susan Bennett Hattan

Assistant Examiner — Janice Hallmark

(74) *Attorney, Agent, or Firm* — Morrison & Foerster LLP

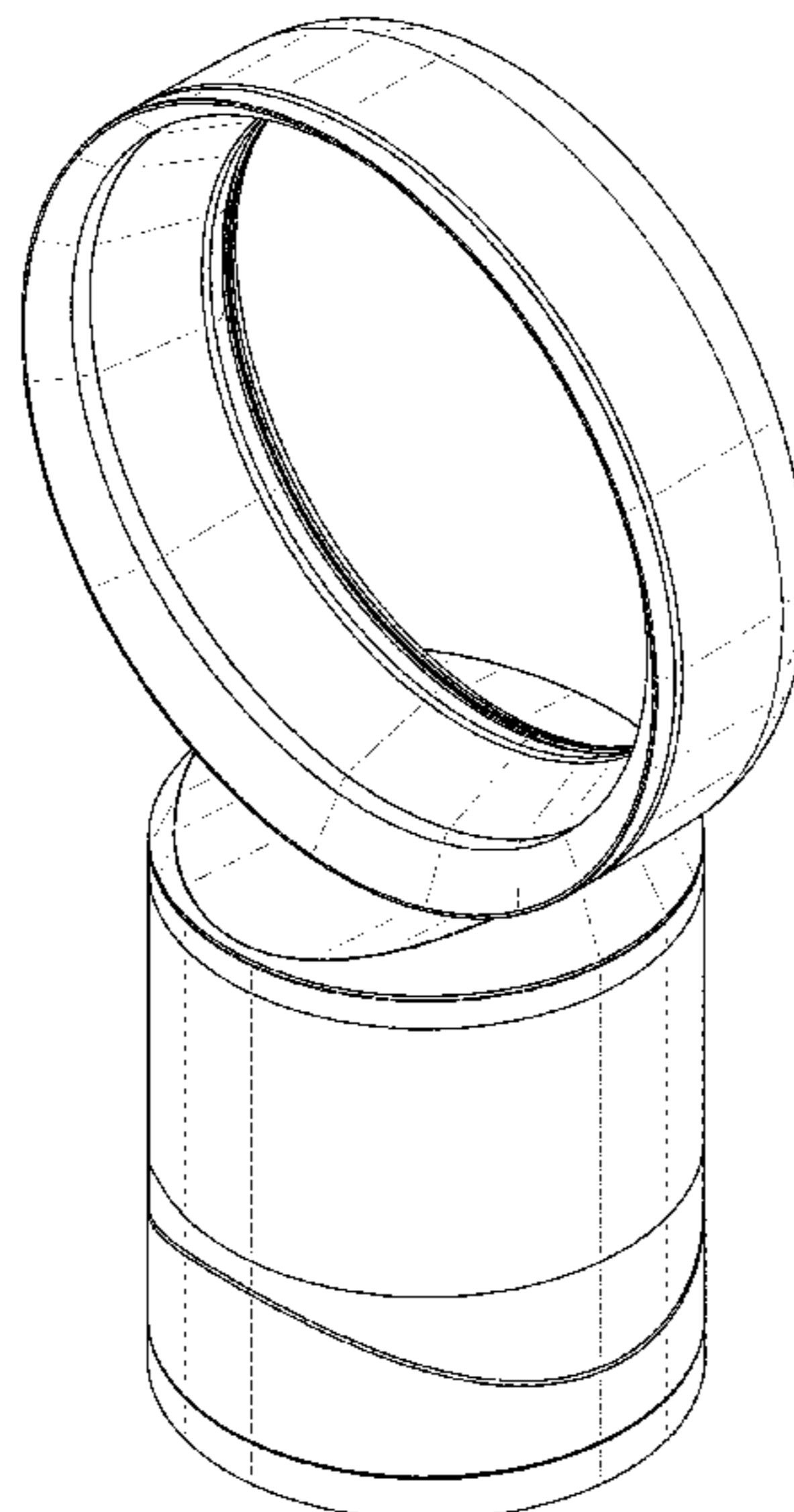
(57) **CLAIM**

We claim the ornamental design for a fan, as shown and described.

DESCRIPTION

FIG. 1 is a perspective view of a fan showing our new design;
FIG. 2 is a front view thereof;
FIG. 3 is a rear view thereof;
FIG. 4 is a side view thereof;
FIG. 5 is a side view of the opposite side of FIG. 4;
FIG. 6 is a top view thereof; and,
FIG. 7 is a bottom view thereof.
The broken lines in the drawings depict parts of the fan that form no part of the claimed design.

1 Claim, 6 Drawing Sheets



(56)

References Cited

U.S. PATENT DOCUMENTS

2012/0318392 A1* 12/2012 Li F04D 25/08
137/803
2012/0318393 A1* 12/2012 Tsen F15D 1/02
137/803
2013/0142676 A1* 6/2013 Zou F04F 5/16
417/313
2013/0280051 A1* 10/2013 Nicolas F04D 25/08
415/182.1
2013/0280061 A1* 10/2013 Stickney F04D 25/08
415/211.2
2013/0309080 A1* 11/2013 Johnson F04D 29/665
415/208.1
2014/0178209 A1* 6/2014 Smith F04F 5/16
417/44.1
2016/0215782 A1* 7/2016 Xie F04D 25/08
2016/0238026 A1* 8/2016 Barclay F04D 25/08
2016/0238037 A1* 8/2016 Peet F04D 25/08
2016/0238039 A1* 8/2016 Stewart F04D 29/403
2016/0281742 A1* 9/2016 Rivera F04D 29/601

* cited by examiner

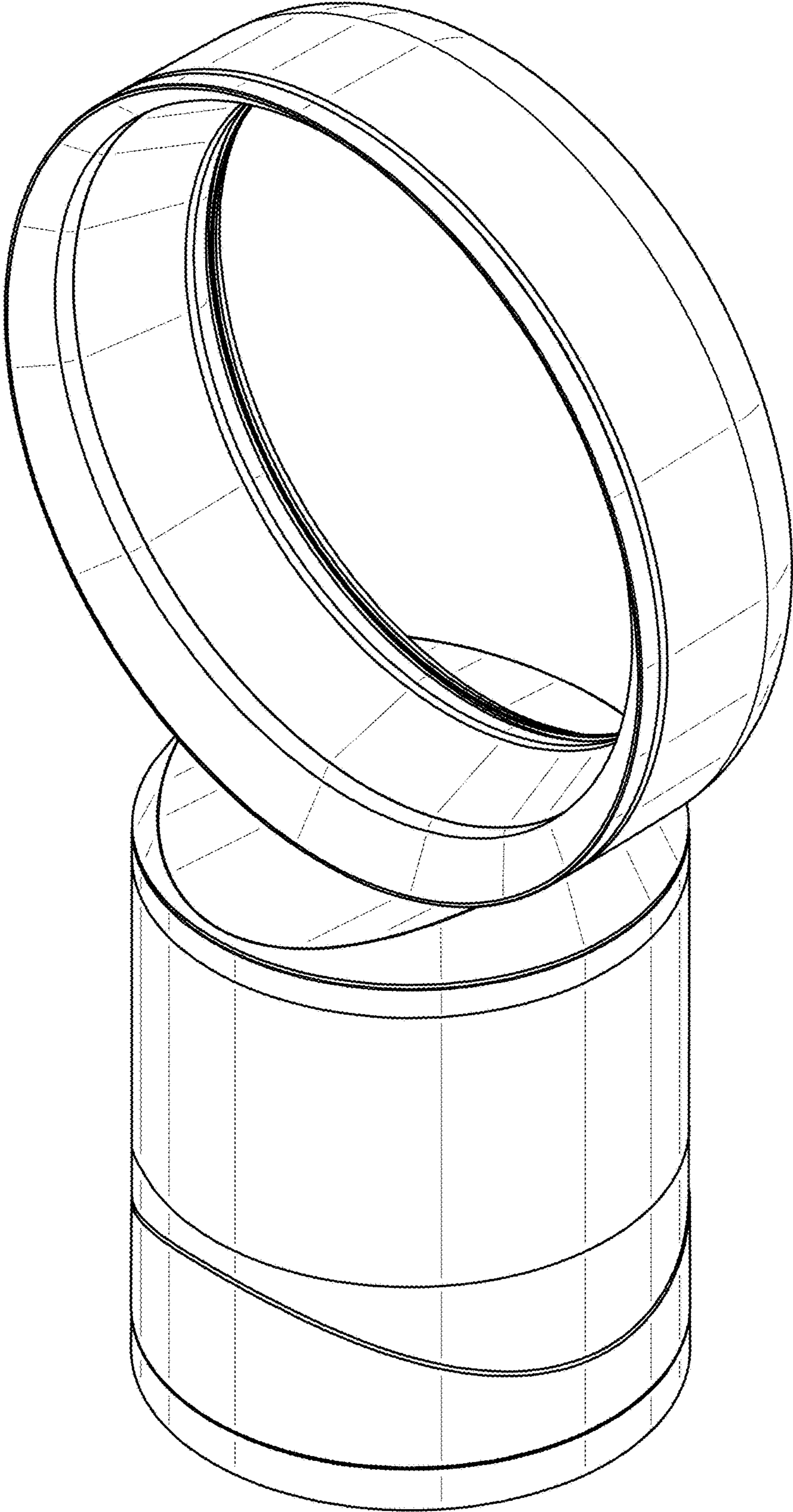


FIG. 1

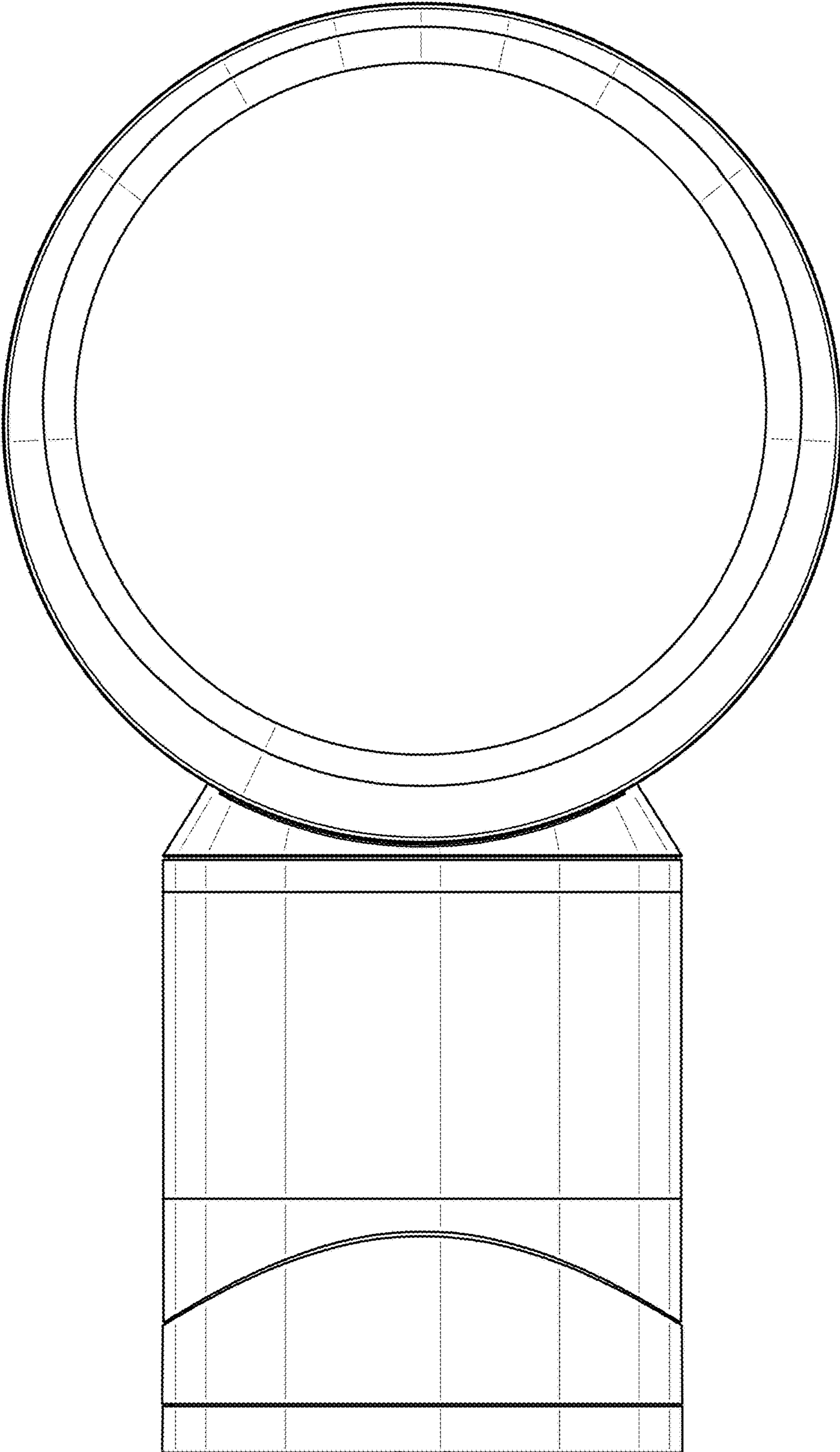


FIG. 2

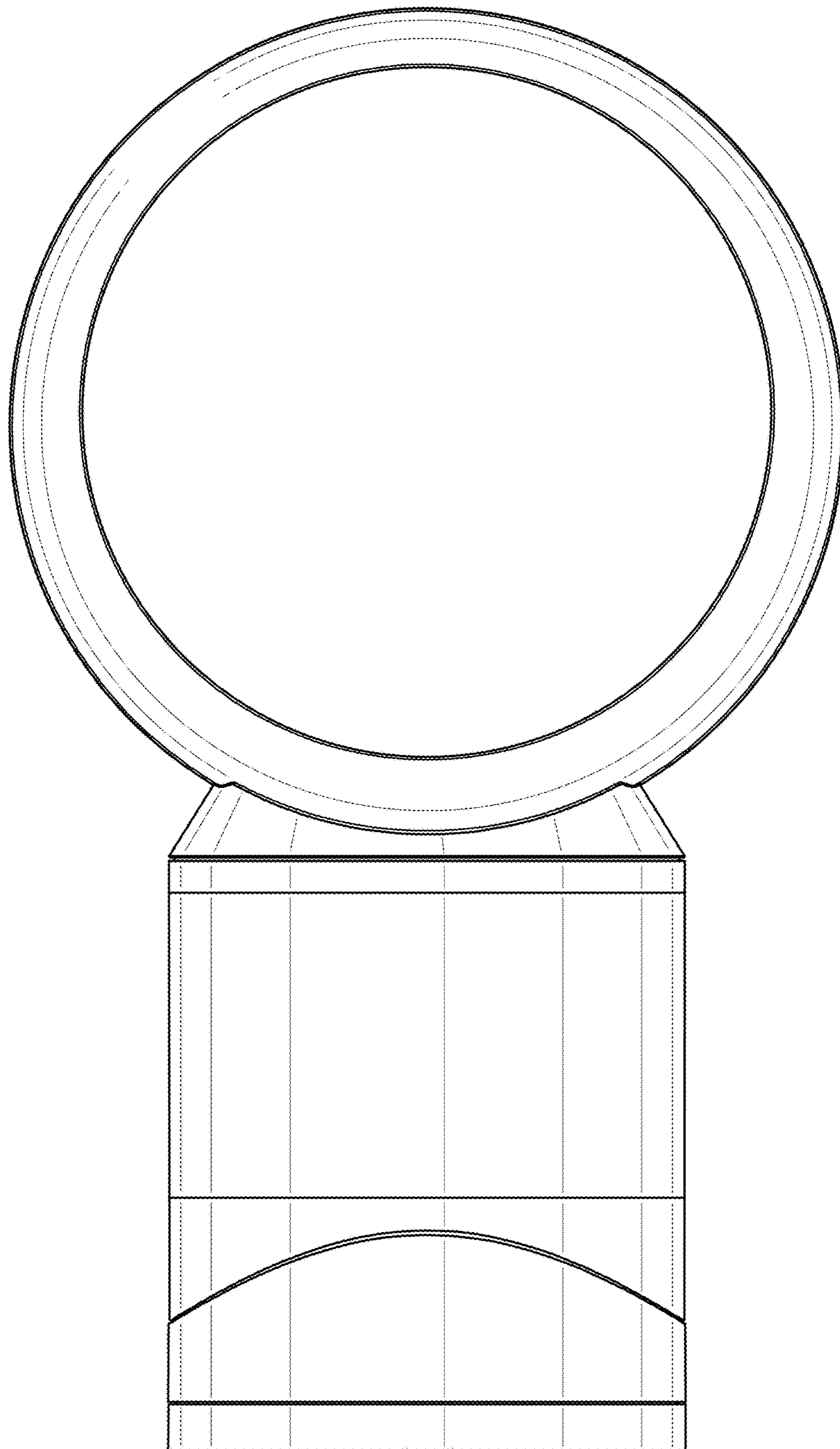


FIG. 3

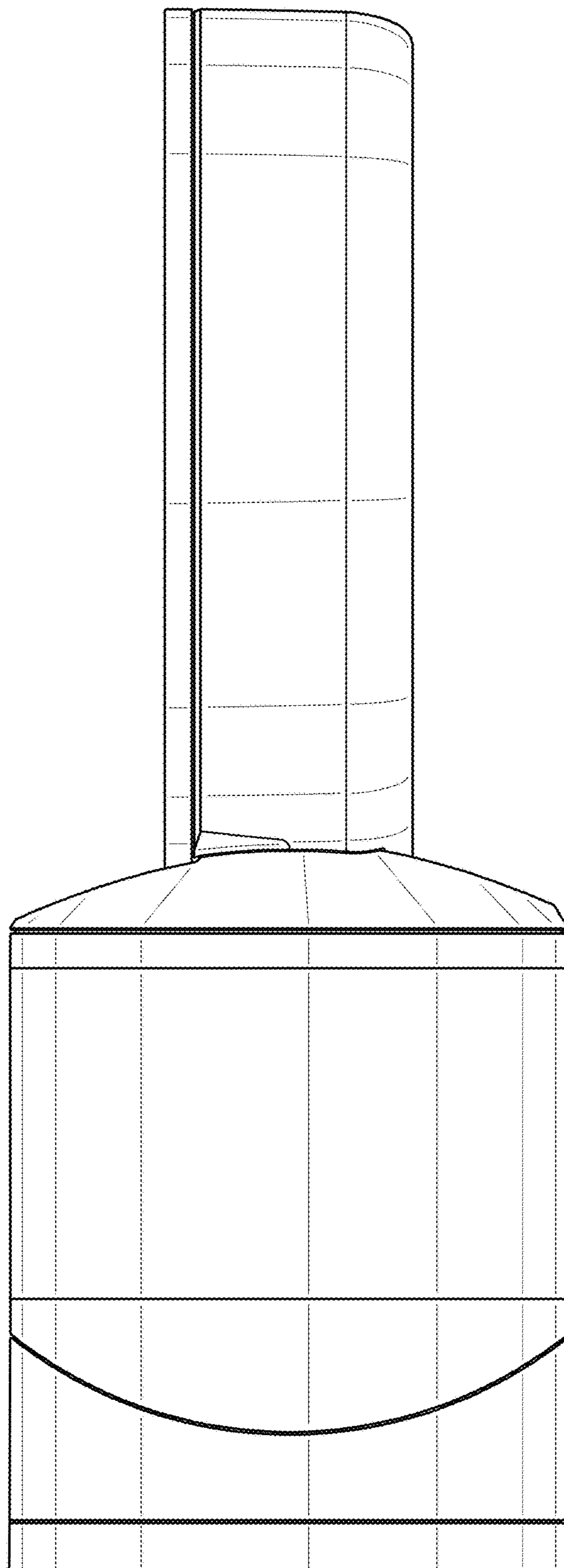


FIG. 4

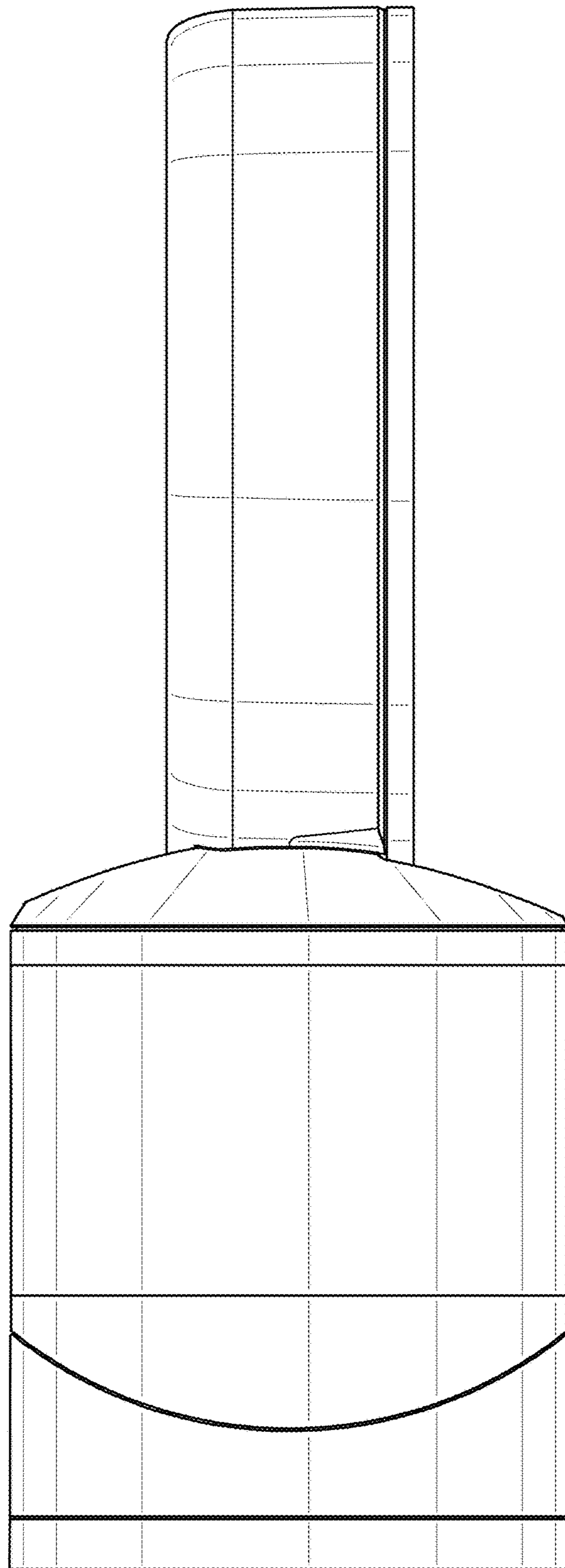


FIG. 5

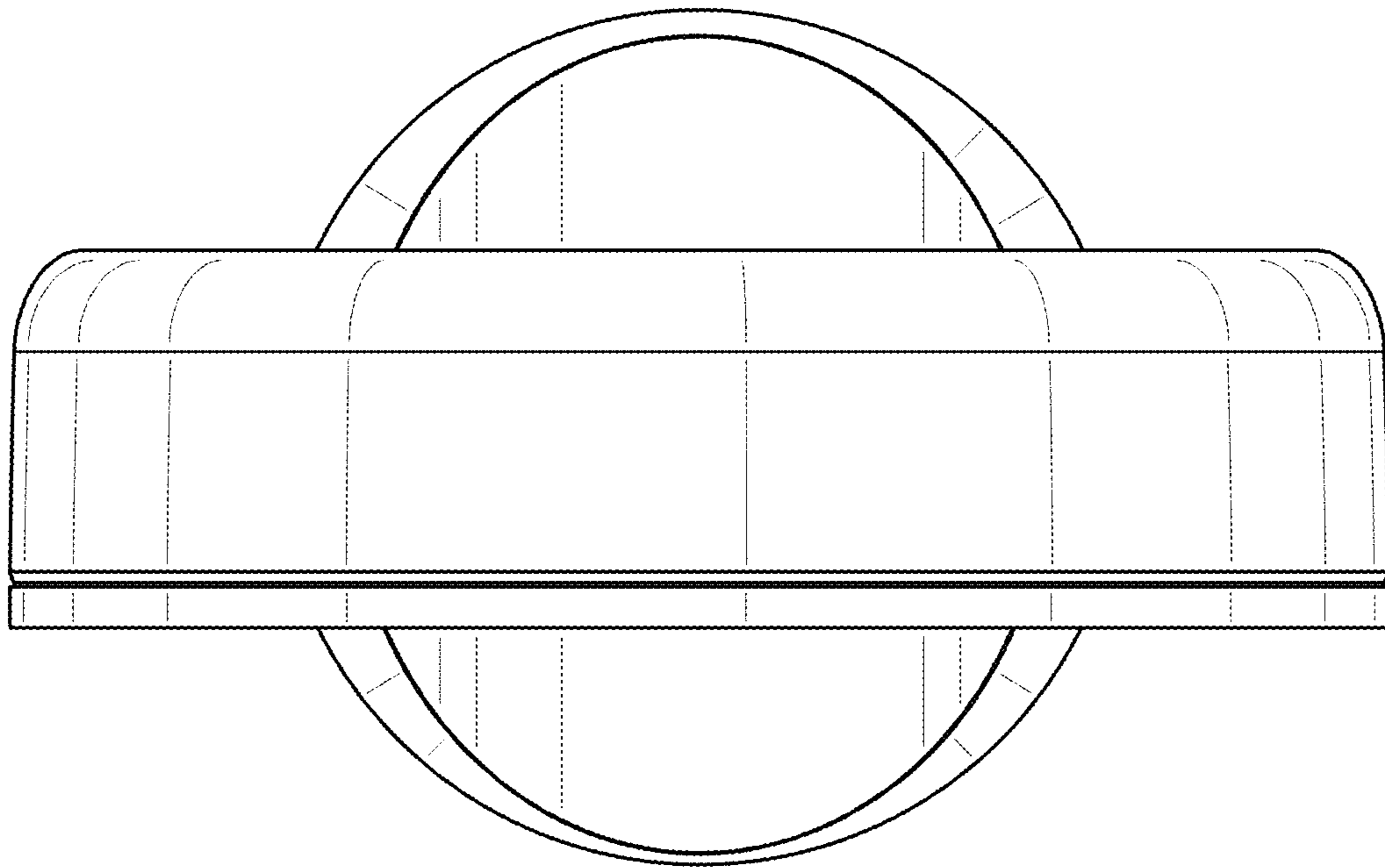


FIG. 6

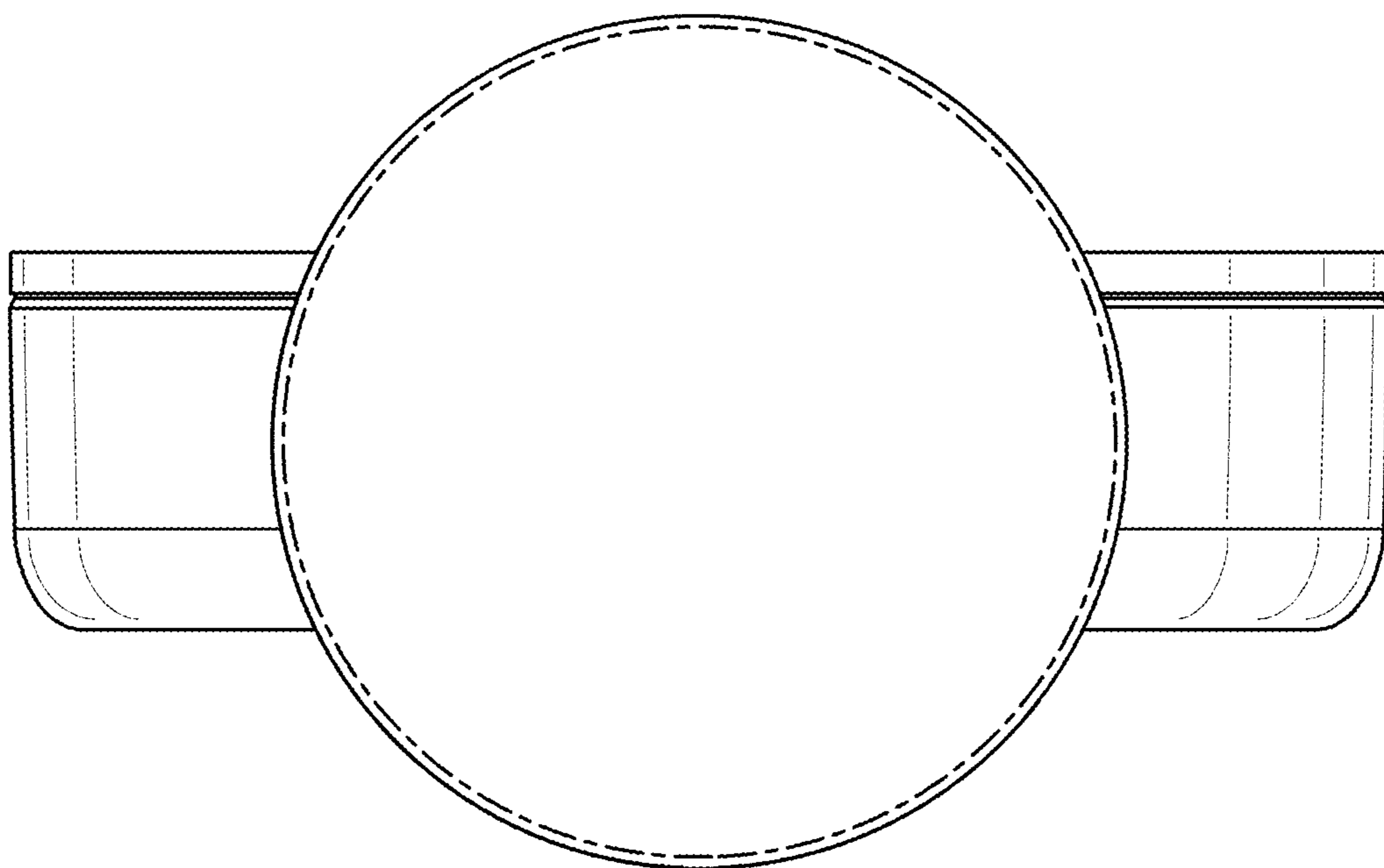


FIG. 7