



US00D782639S

(12) **United States Design Patent**
Hamada et al.

(10) **Patent No.:** **US D782,639 S**
(45) **Date of Patent:** **** Mar. 28, 2017**

(54) **PROPELLER FAN**

(71) Applicant: **MITSUBISHI ELECTRIC CORPORATION**, Tokyo (JP)

(72) Inventors: **Shingo Hamada**, Tokyo (JP); **Koji Sachimoto**, Tokyo (JP); **Yosuke Kikuchi**, Tokyo (JP); **Hajime Ikeda**, Tokyo (JP); **Takashi Kobayashi**, Tokyo (JP); **Seiji Hirakawa**, Tokyo (JP); **Hiroshi Yoshikawa**, Tokyo (JP); **Hidetomo Nakagawa**, Tokyo (JP); **Hiroaki Makino**, Tokyo (JP)

(73) Assignee: **Mitsubishi Electric Corporation**, Tokyo (JP)

(**) Term: **15 Years**

(21) Appl. No.: **29/543,720**

(22) Filed: **Oct. 27, 2015**

(30) **Foreign Application Priority Data**

Jun. 24, 2015 (JP) 2015-013870
Jun. 24, 2015 (JP) 2015-013871

(Continued)

(51) **LOC (10) Cl.** **23-04**

(52) **U.S. Cl.**
USPC **D23/370**

(58) **Field of Classification Search**
USPC D23/370, 355, 314, 414, 371, 377, 385, D23/411, 383, 373, 378, 412; 126/299 D,
(Continued)

(56) **References Cited**

U.S. PATENT DOCUMENTS

D701,300 S * 3/2014 Tanabe D23/379
D743,018 S * 11/2015 Rasmussen D23/379
(Continued)

Primary Examiner — Cynthia Underwood

(74) *Attorney, Agent, or Firm* — Studebaker & Brackett PC

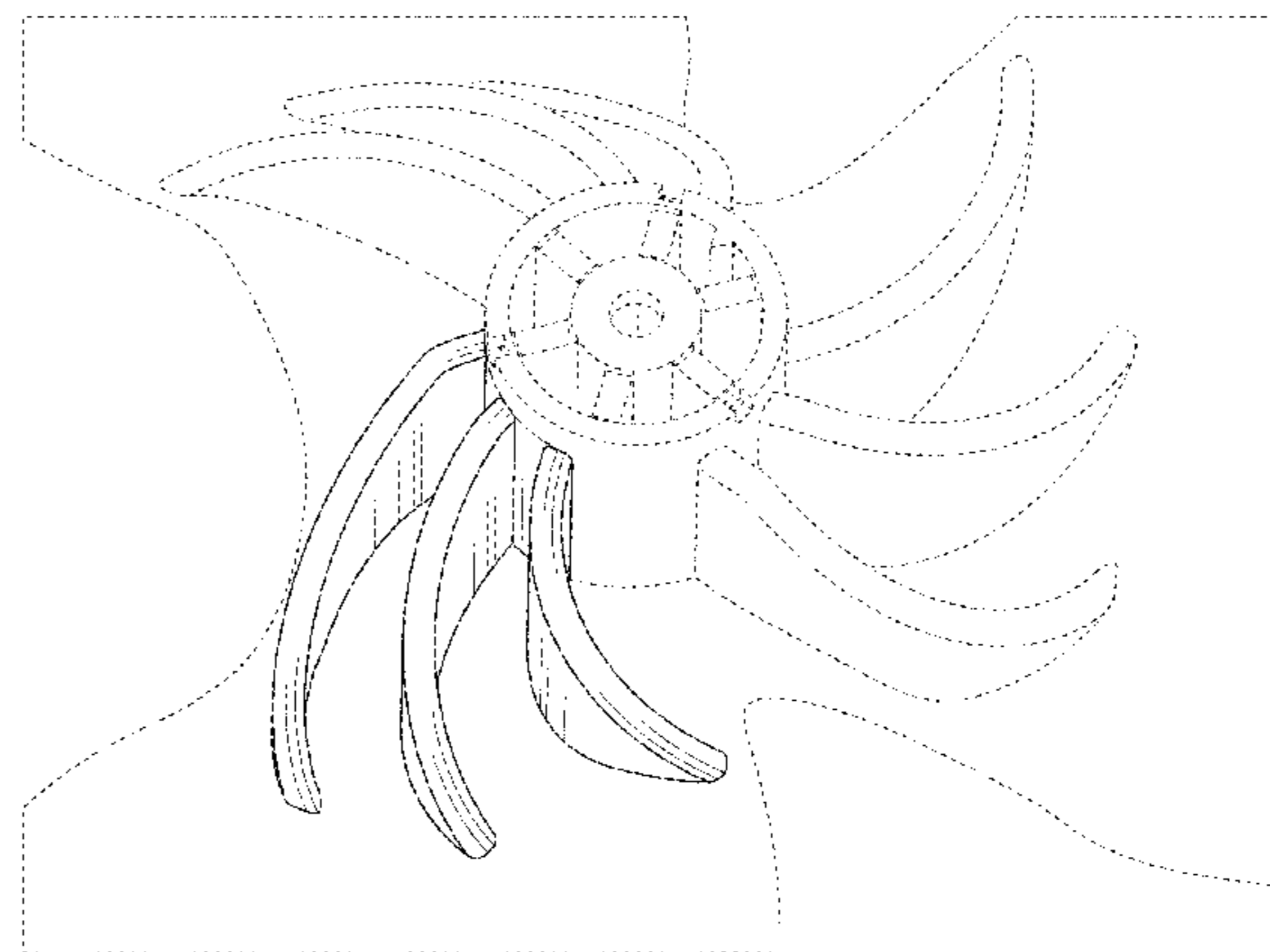
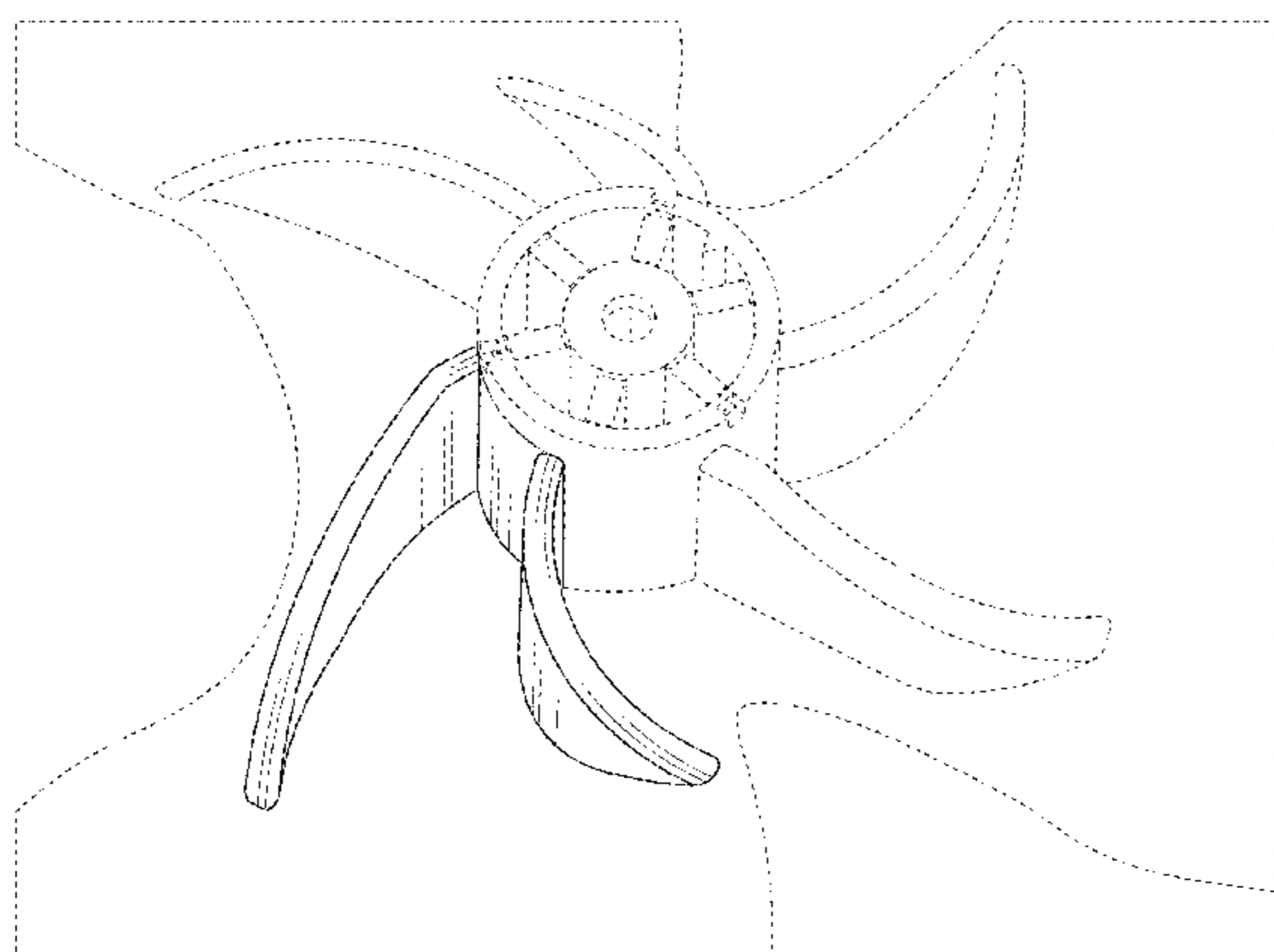
(57) **CLAIM**

The ornamental design for a propeller fan, as shown and described.

DESCRIPTION

FIG. 1. is a front perspective view of the front, right, and bottom sides of a propeller fan showing a first embodiment of our new design;
FIG. 2. is a front view thereof;
FIG. 3. is a rear view thereof;
FIG. 4. is a left side view thereof;
FIG. 5. is a right side view thereof;
FIG. 6. is a top plan view thereof;
FIG. 7. is a bottom view thereof;
FIG. 8. is an enlarged view at a part 8 of FIG. 1;
FIG. 9 is a front perspective view of the front, right, and bottom sides of a propeller fan showing a second embodiment of our new design;
FIG. 10 is a front view thereof;
FIG. 11 is a rear view thereof;
FIG. 12 is a left side view thereof;
FIG. 13 is a right side view thereof;
FIG. 14 is a top plan view thereof;
FIG. 15 is a bottom view thereof; and,
FIG. 16 is an enlarged view at a part 16 of FIG. 9.
The broken lines shown represent unclaimed subject matter of the propeller fan and form no part of the claimed design. The dash-dot lines represent the boundary between the claimed design and unclaimed design.

1 Claim, 12 Drawing Sheets



(30) **Foreign Application Priority Data**

Jun. 24, 2015 (JP) 2015-013873
 Jun. 24, 2015 (JP) 2015-013874

(58) **Field of Classification Search**

USPC 126/299 R; 415/121.1, 60, 66, 68, 208.1,
 415/213.1, 214.1; D14/432; D10/2;
 310/257; 361/695
 CPC F04D 29/329; F04D 29/526; F04D 25/082;
 F04D 29/325; F04D 29/703; F04D
 29/547; B65D 90/36; F23L 17/02; F24F
 13/1406; F24F 1/02

See application file for complete search history.

(56) **References Cited**

U.S. PATENT DOCUMENTS

D745,955 S * 12/2015 Chen D13/179
 D755,134 S * 5/2016 Andre D13/179
 2005/0074336 A1* 4/2005 Li F04D 29/626
 416/244 R

2011/0141693 A1* 6/2011 Walsh F04D 29/4226
 361/702
 2012/0244008 A1* 9/2012 Chang F04D 29/666
 416/244 R
 2013/0120935 A1* 5/2013 Huang G06F 1/20
 361/695
 2013/0183140 A1* 7/2013 Kappelman B60K 11/04
 415/116
 2013/0259692 A1* 10/2013 Chen F04D 29/26
 416/195
 2013/0287581 A1* 10/2013 Aschermann F04D 29/384
 416/223 R
 2014/0030104 A1* 1/2014 Lee F04D 29/327
 416/223 R
 2014/0093405 A1* 4/2014 Chang F04D 25/064
 417/354
 2014/0133082 A1* 5/2014 Xu F04D 17/025
 361/679.32
 2014/0147282 A1* 5/2014 Hu F04D 25/0613
 416/189
 2015/0159672 A1* 6/2015 Lin F04D 29/646
 417/354

* cited by examiner

Fig. 1

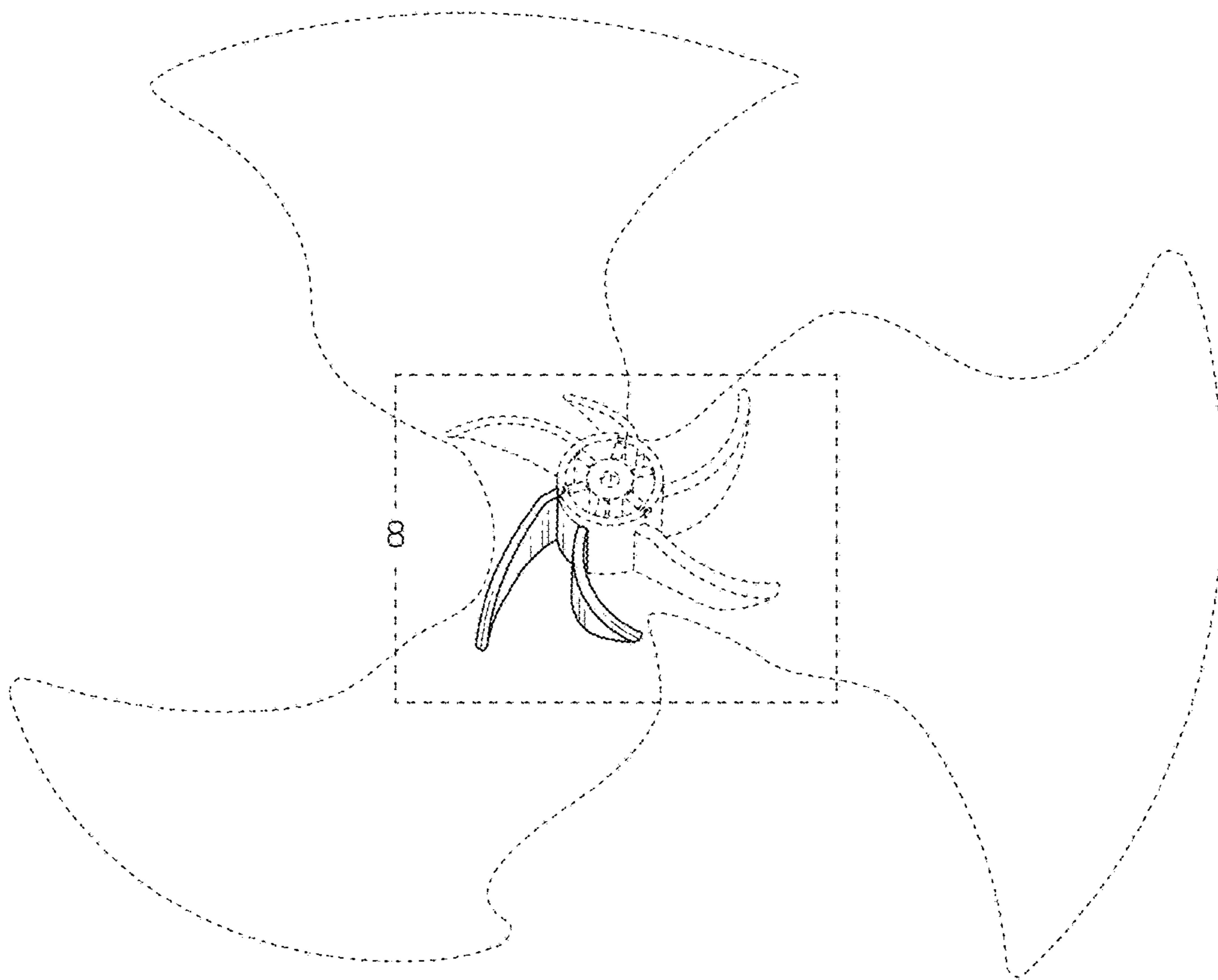


Fig. 2

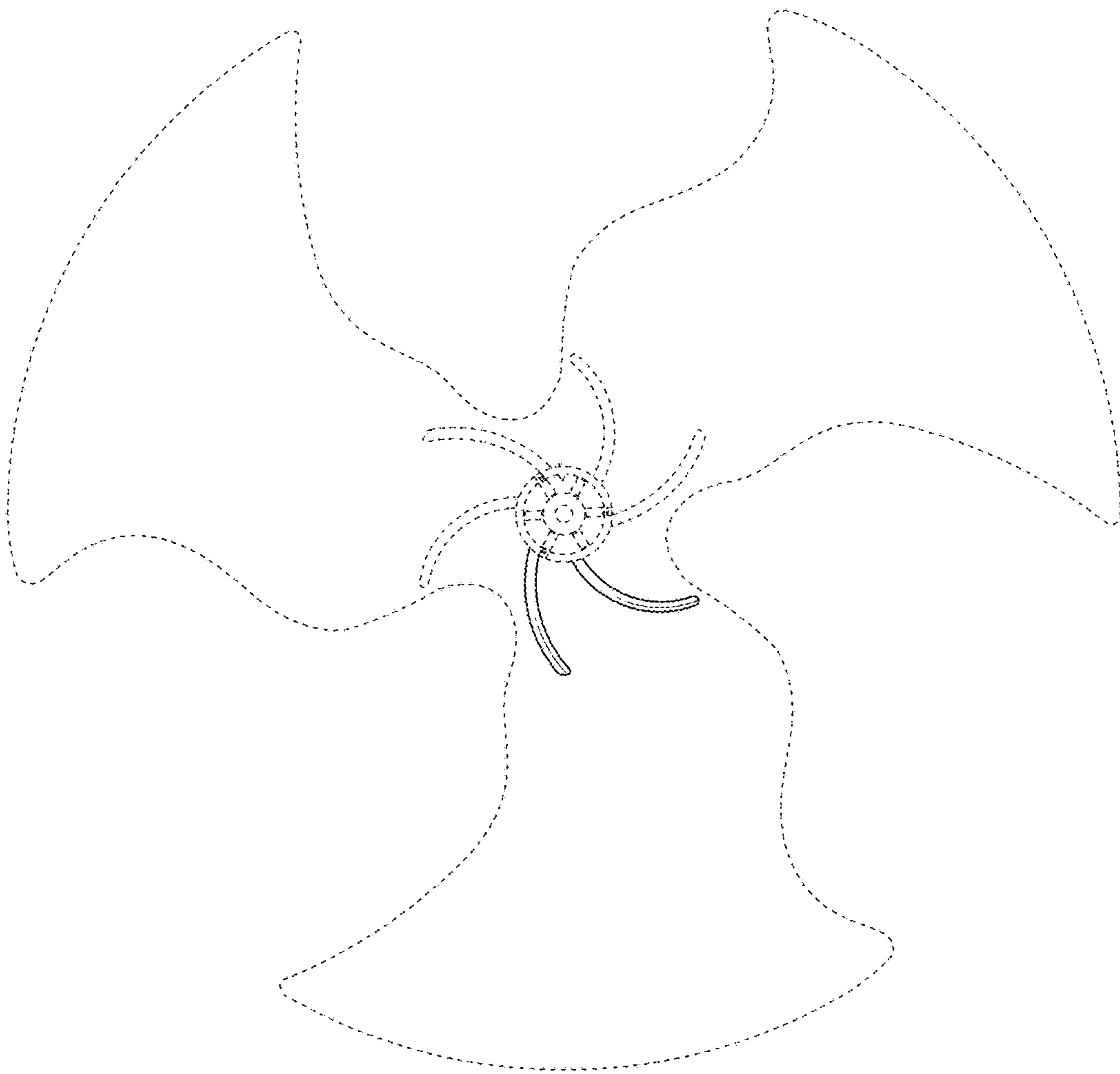


Fig. 3

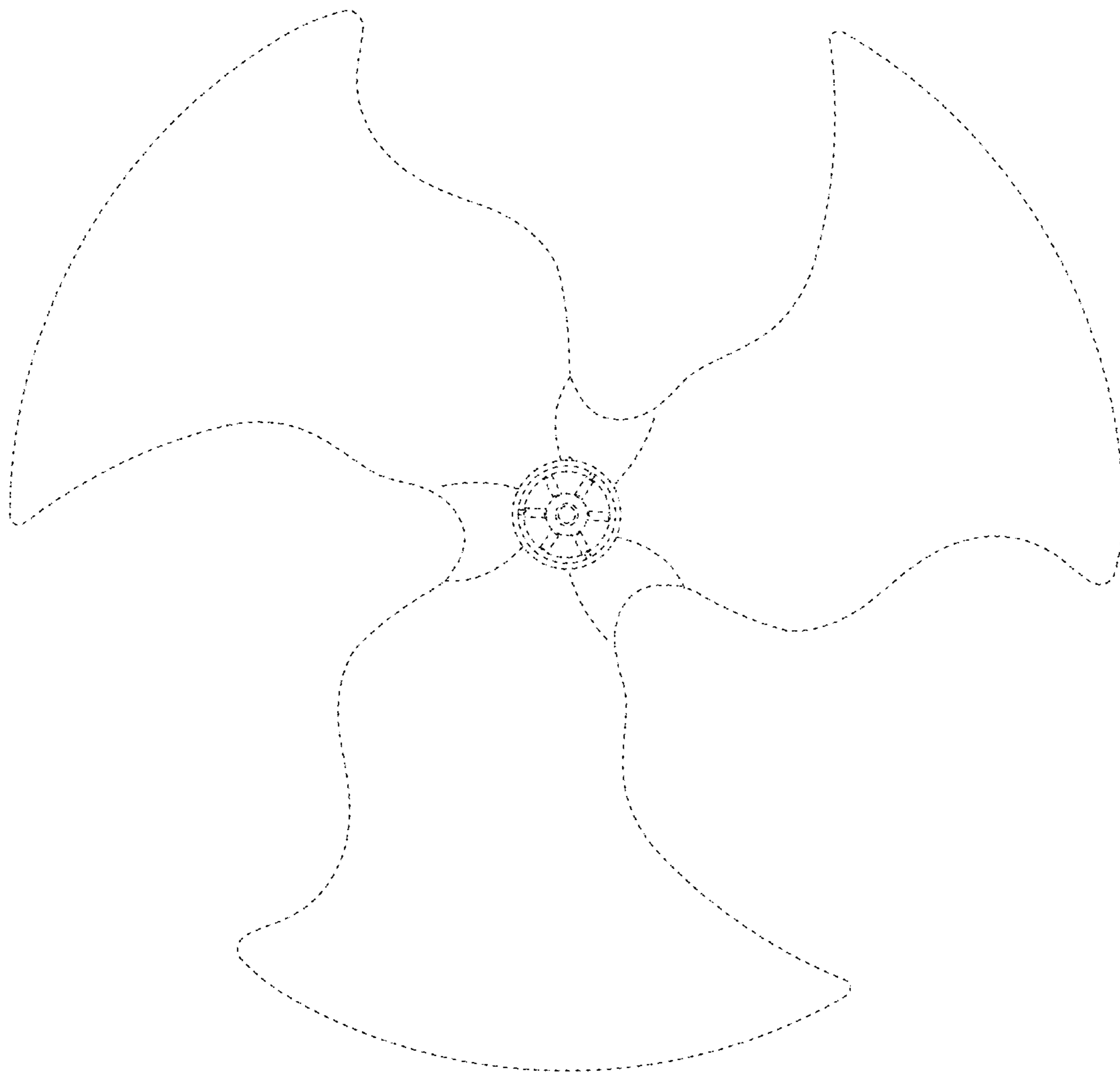


Fig. 4

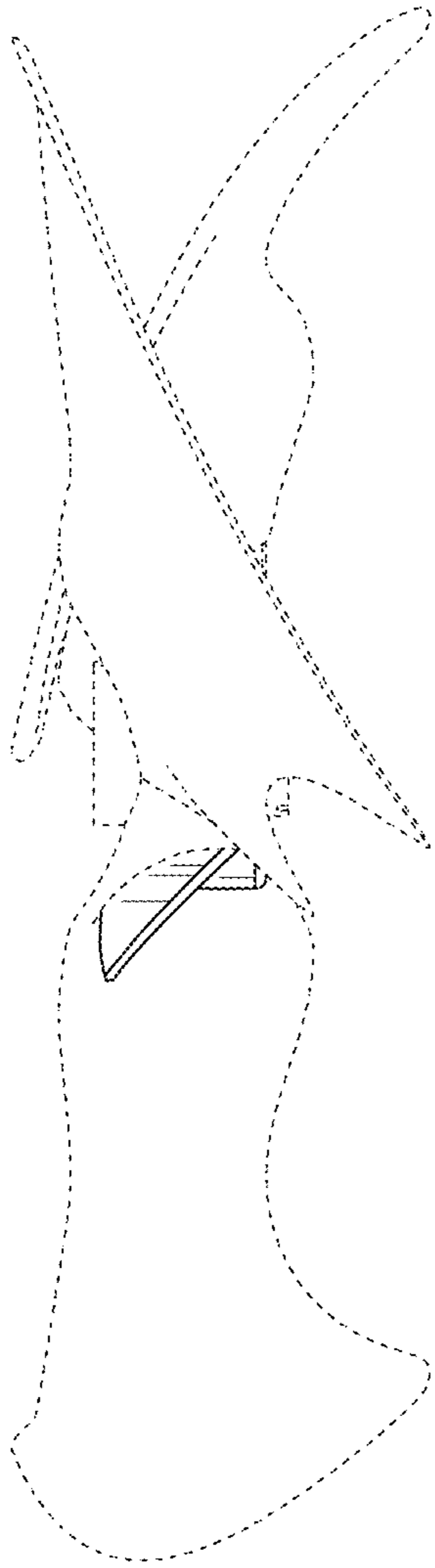


Fig. 5

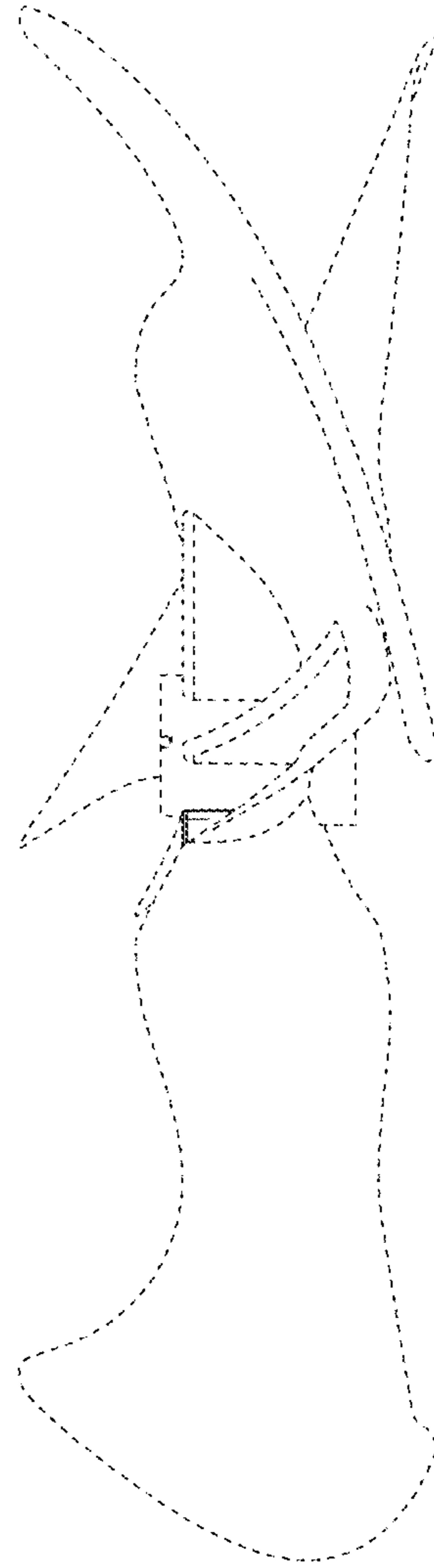


Fig. 6

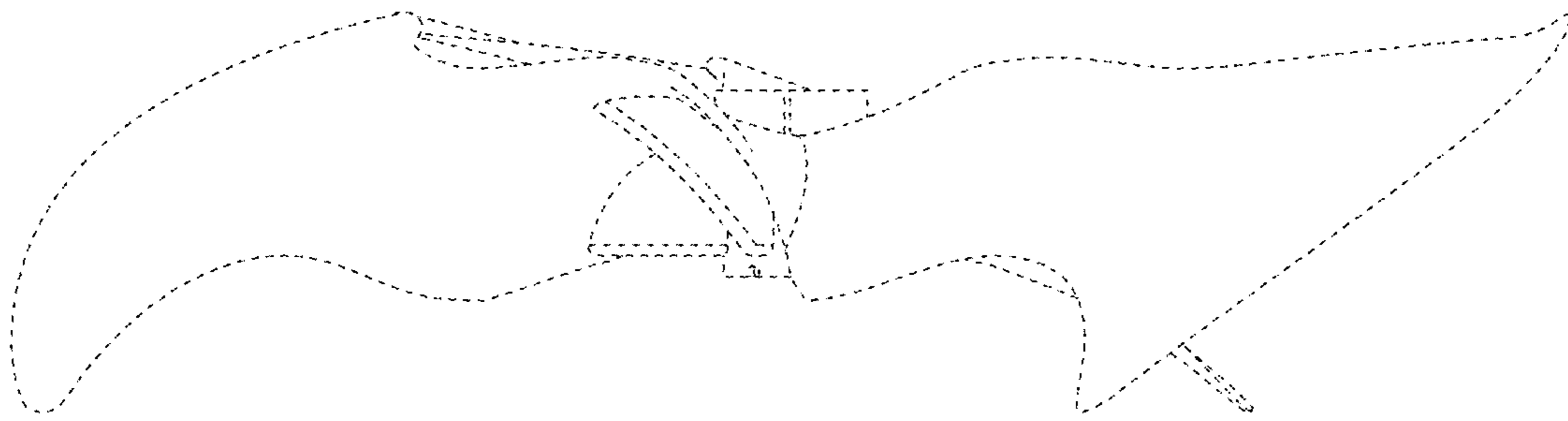


Fig. 7

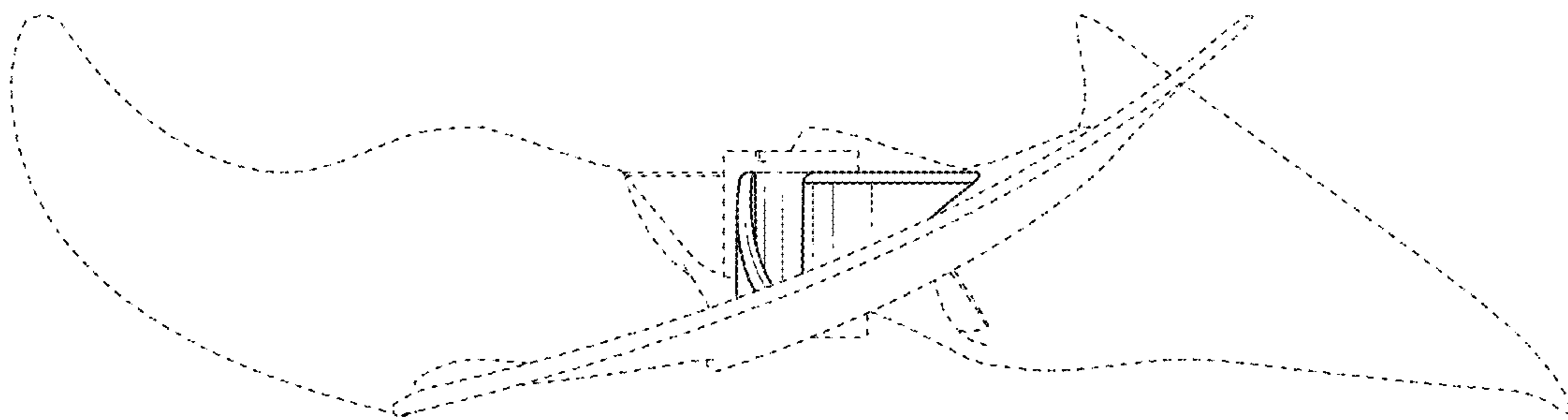


Fig. 8

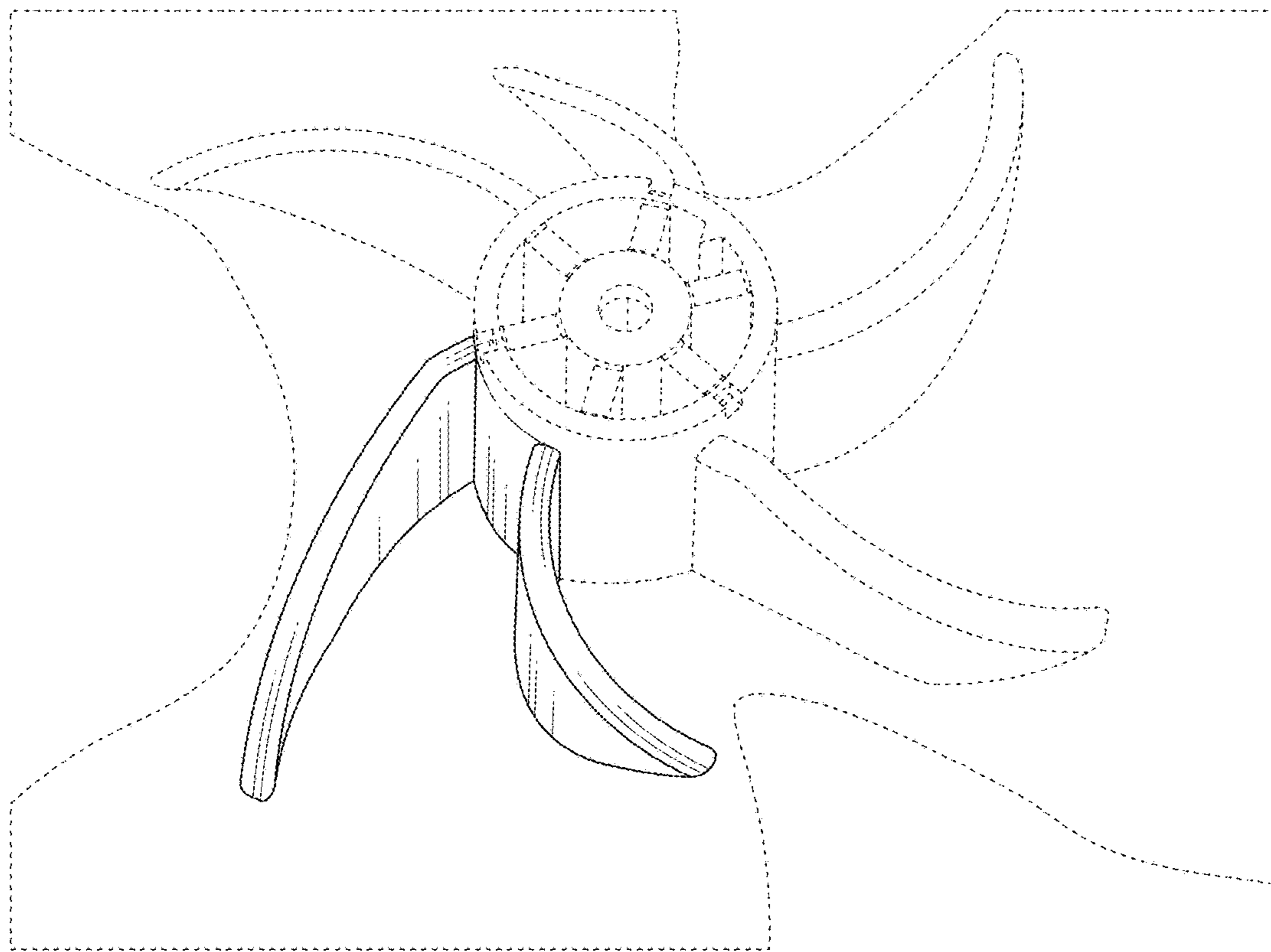


Fig. 9

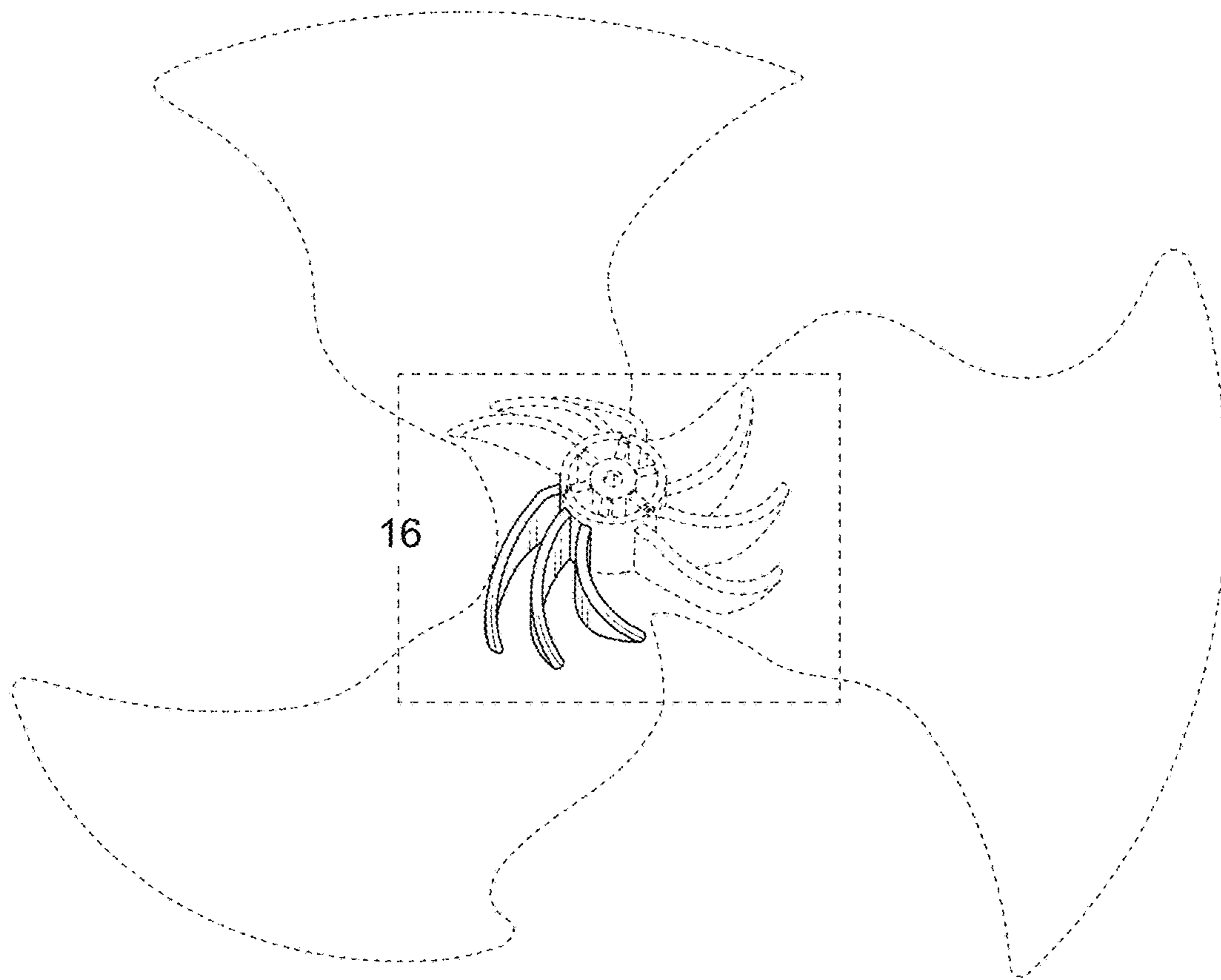


Fig. 10

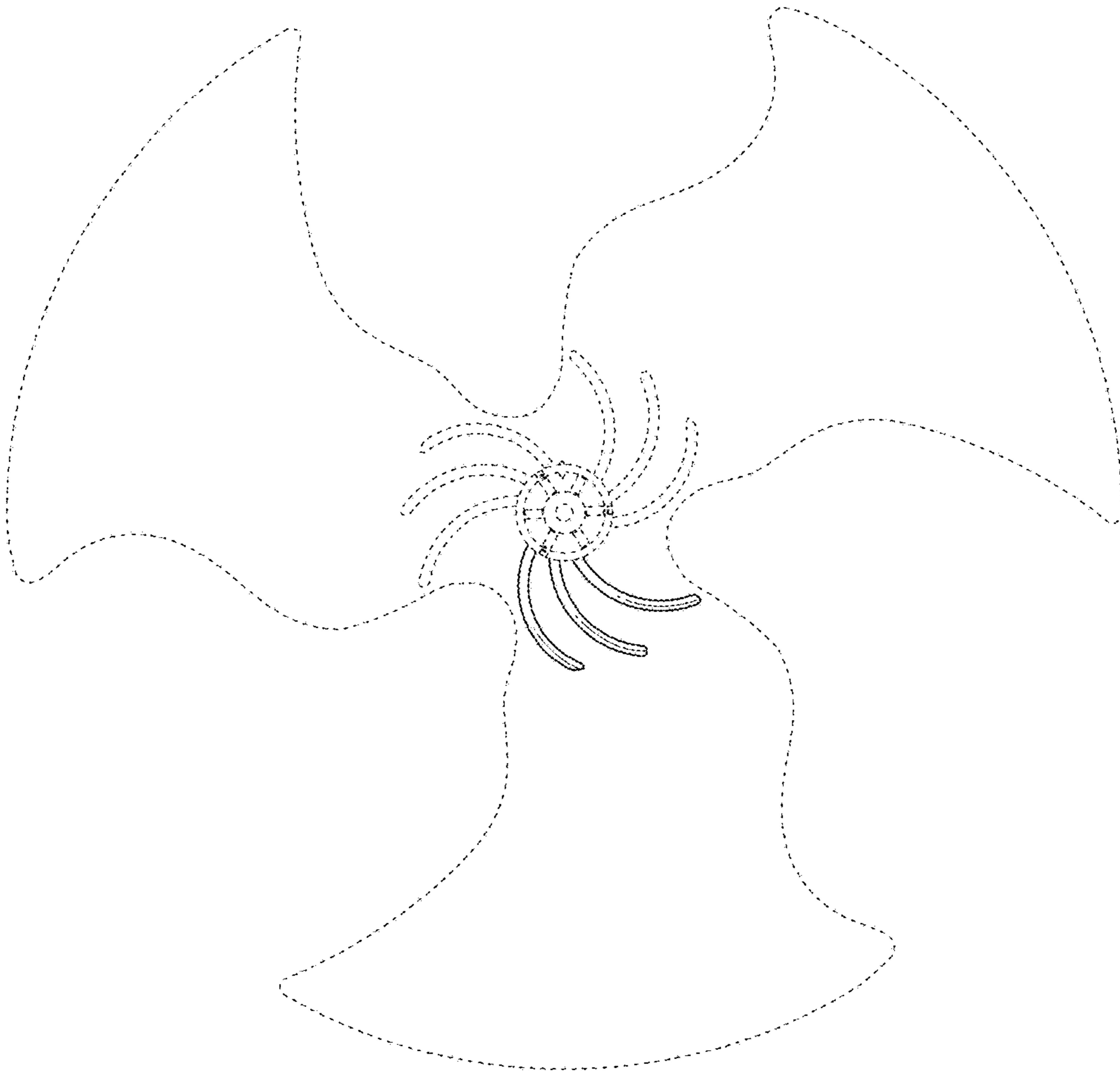


Fig. 11

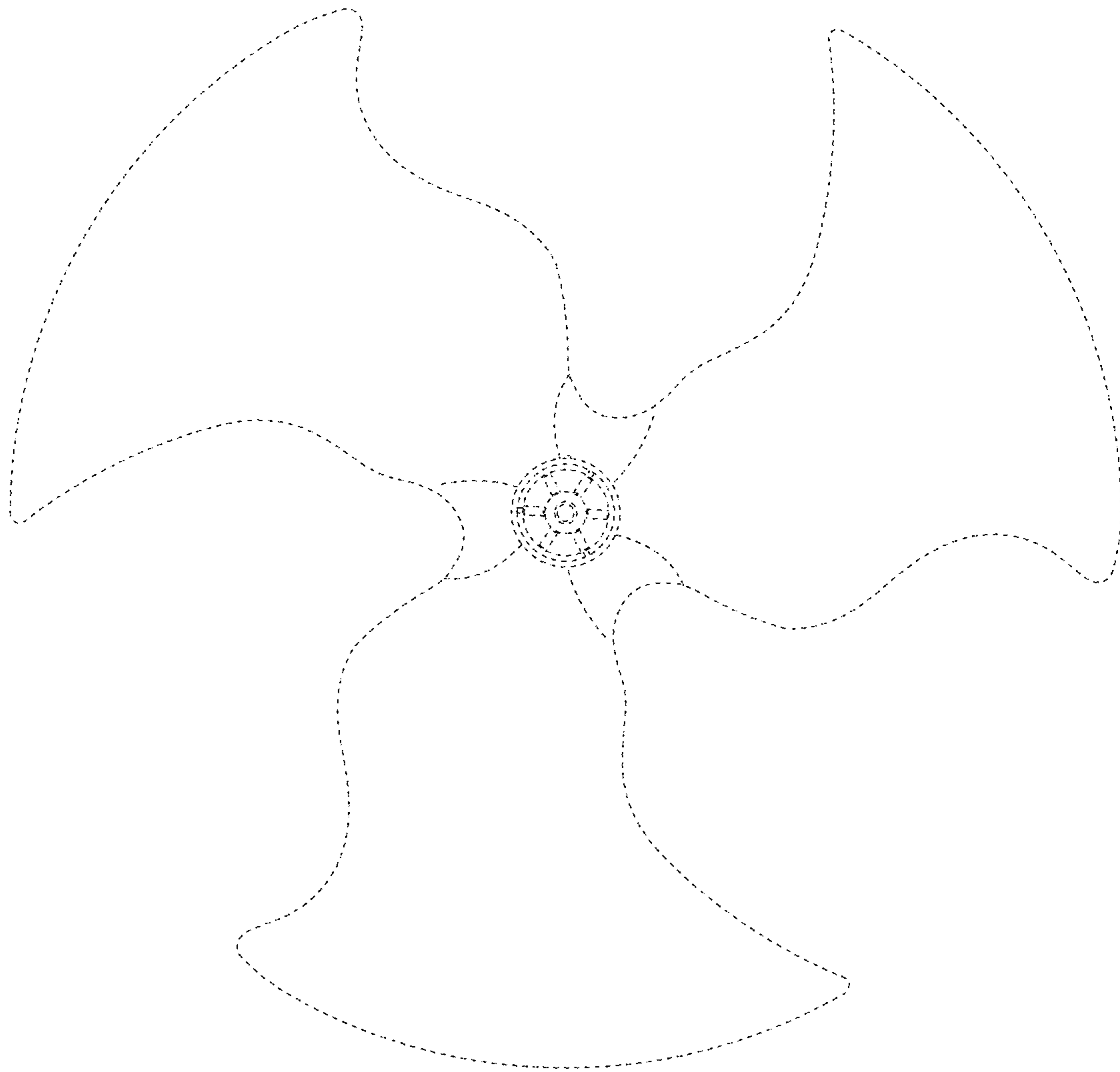


Fig. 12

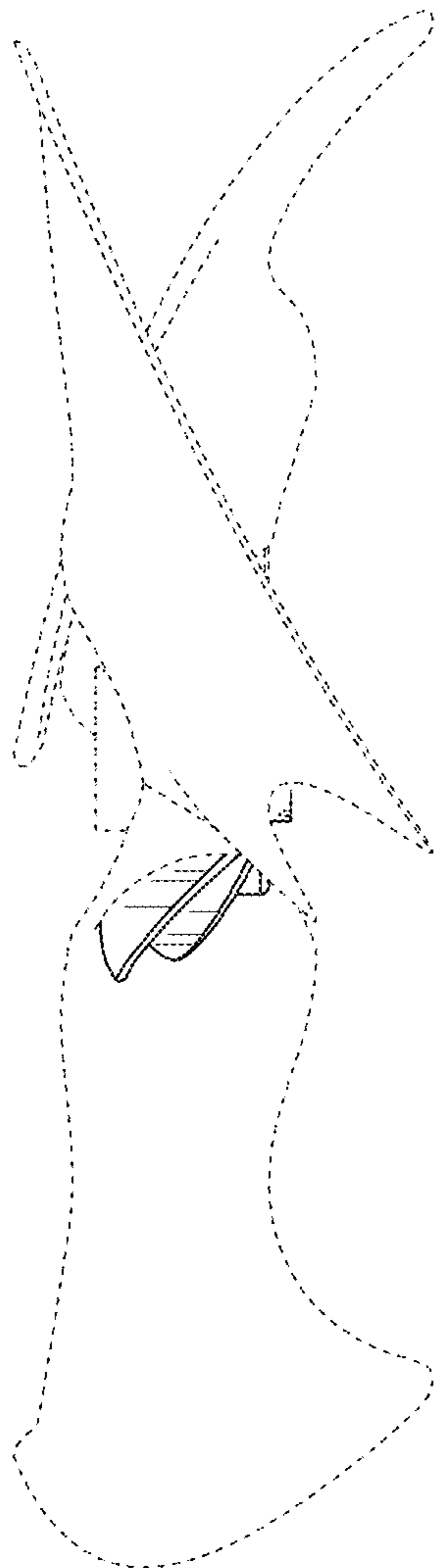


Fig. 13

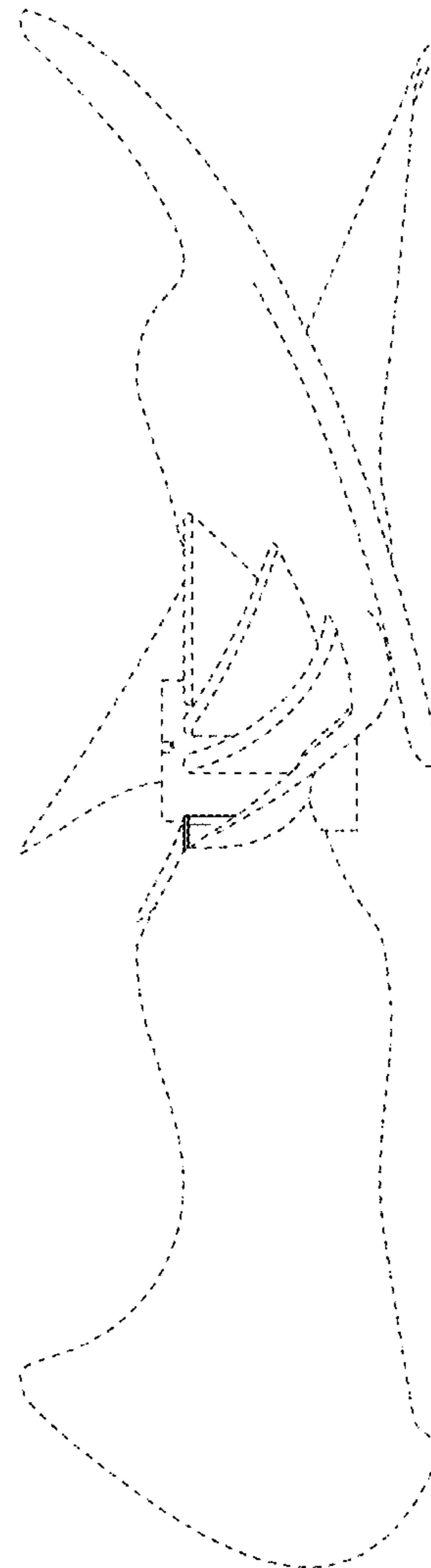


Fig. 14

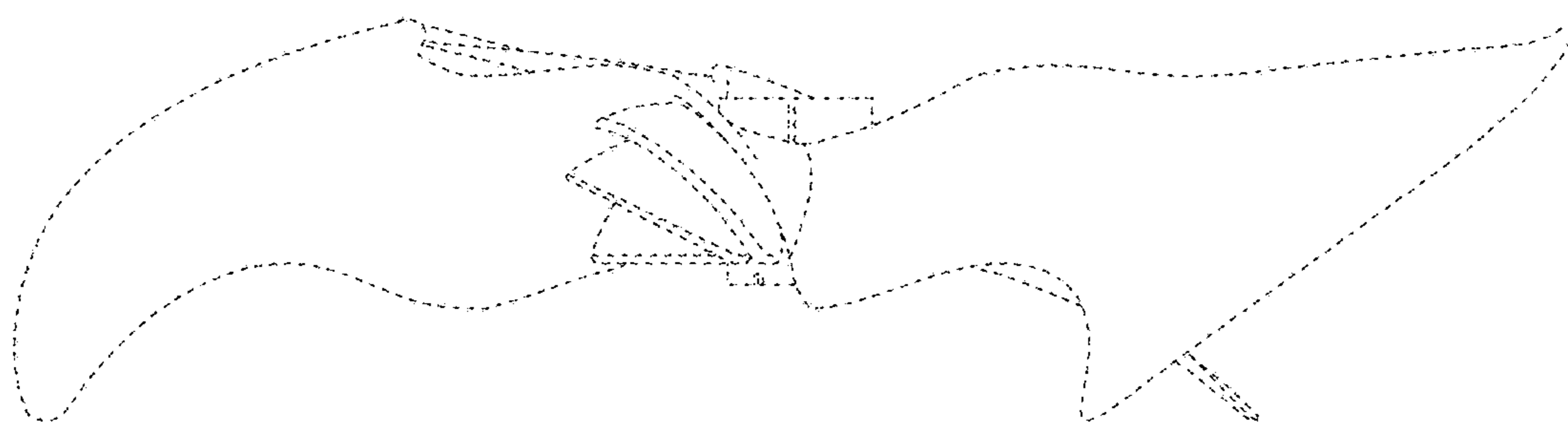


Fig. 15

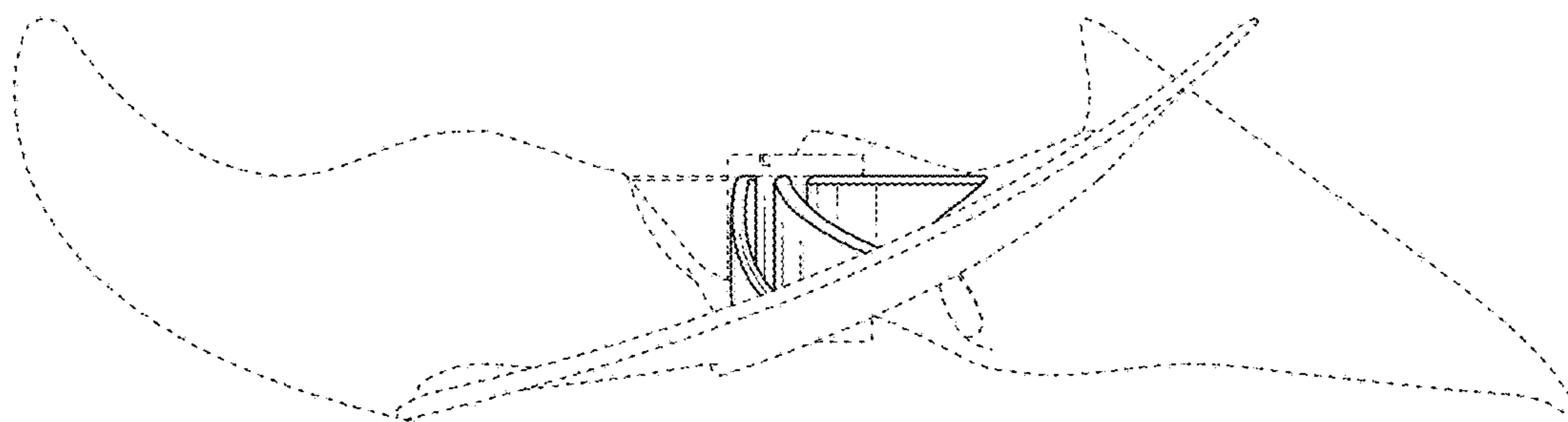


Fig. 16

