



US00D782638S

(12) **United States Design Patent** (10) **Patent No.:** **US D782,638 S**  
**Rossi et al.** (45) **Date of Patent:** **\*\* Mar. 28, 2017**

(54) **DIFFUSING EVAPORATOR OF ACTIVE SUBSTANCES**  
(71) Applicant: **ZOBELE HOLDING S.p.A.**, Trento (IT)  
(72) Inventors: **Danilo Rossi**, Trento (IT); **Cedric Gobber**, Barcelona (ES); **Pieter Molenaar**, Barcelona (ES)  
(73) Assignee: **ZOBELE HOLDING S.P.A.**, Trento (IT)

4,467,177 A \* 8/1984 Zobebe ..... A01M 1/2077  
219/521  
D489,123 S \* 4/2004 Basaganas ..... D23/366  
D516,691 S \* 3/2006 Caserta ..... D23/366  
D539,407 S \* 3/2007 Zobebe ..... D23/366  
D540,931 S \* 4/2007 Luo ..... D23/366  
D544,950 S \* 6/2007 Zobebe ..... D23/366  
D551,333 S \* 9/2007 Wu ..... D23/366  
D587,362 S \* 2/2009 Weggelaar ..... D23/366  
D629,881 S \* 12/2010 Valentino ..... D23/368  
8,485,454 B1 \* 7/2013 Irvin ..... A61L 9/125  
239/34  
D724,193 S \* 3/2015 Esses ..... D23/366  
D732,652 S \* 6/2015 Furner ..... D23/366  
D751,683 S \* 3/2016 Furner ..... D23/368

(\*\*) Term: **15 Years**

(21) Appl. No.: **29/536,221**

(22) Filed: **Aug. 14, 2015**

(30) **Foreign Application Priority Data**

Feb. 16, 2015 (EM) ..... 002634766-0001

(51) **LOC (10) Cl.** ..... **28-99**

(52) **U.S. Cl.**  
USPC ..... **D23/366**

(58) **Field of Classification Search**  
USPC ..... D23/355-369; D28/5, 6; 261/DIG. 17,  
261/DIG. 42, DIG. 47, DIG. 55, DIG. 65,  
261/DIG. 70, DIG. 88, DIG. 89;  
392/386, 389, 394, 395, 403; 239/34, 44,  
239/45, 53, 56

CPC ... A61L 9/02; A61L 9/03; A61L 9/034; A61L  
9/04; A61L 9/12; A61L 9/032; A61L  
9/122; A61L 9/127; A61L 9/22

See application file for complete search history.

(56) **References Cited**

**U.S. PATENT DOCUMENTS**

D254,930 S \* 5/1980 Mandon ..... D23/369  
4,391,781 A \* 7/1983 van Lit ..... A61L 9/03  
219/243

\* cited by examiner

*Primary Examiner* — Sandra Snapp

(74) *Attorney, Agent, or Firm* — Young & Thompson

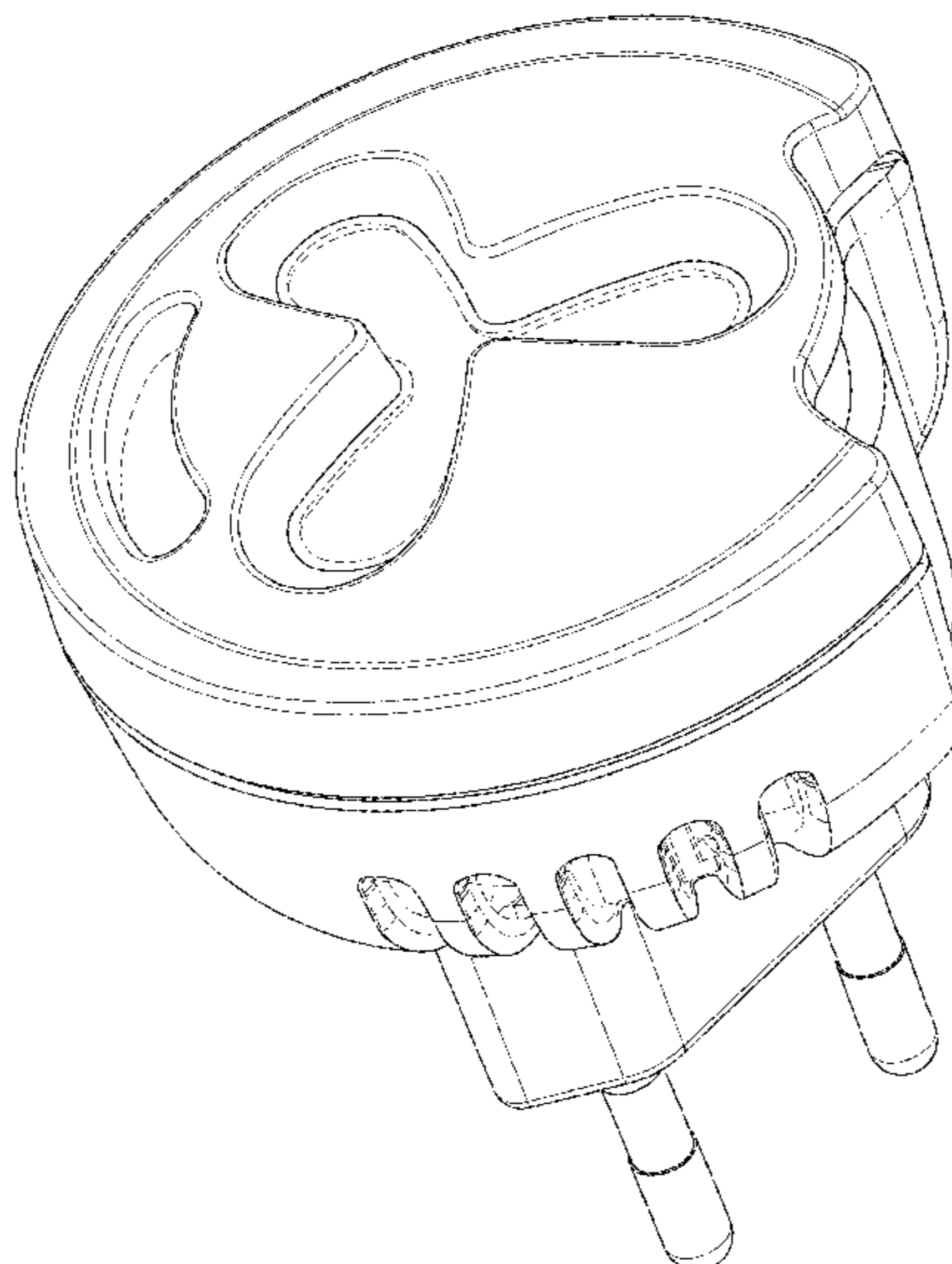
(57) **CLAIM**

The ornamental design for a diffusing evaporator of active substances, as shown and described.

**DESCRIPTION**

FIG. 1 is a front perspective view of a diffusing evaporator of active substances showing the new design; FIG. 2 is a back perspective view thereof; FIG. 3 is a right side view thereof; FIG. 4 is a top view thereof; FIG. 5 is a bottom view thereof; FIG. 6 is a front view thereof; and, FIG. 7 is a back view thereof. The portions of the design shown in broken lines show unclaimed subject matter.

**1 Claim, 7 Drawing Sheets**



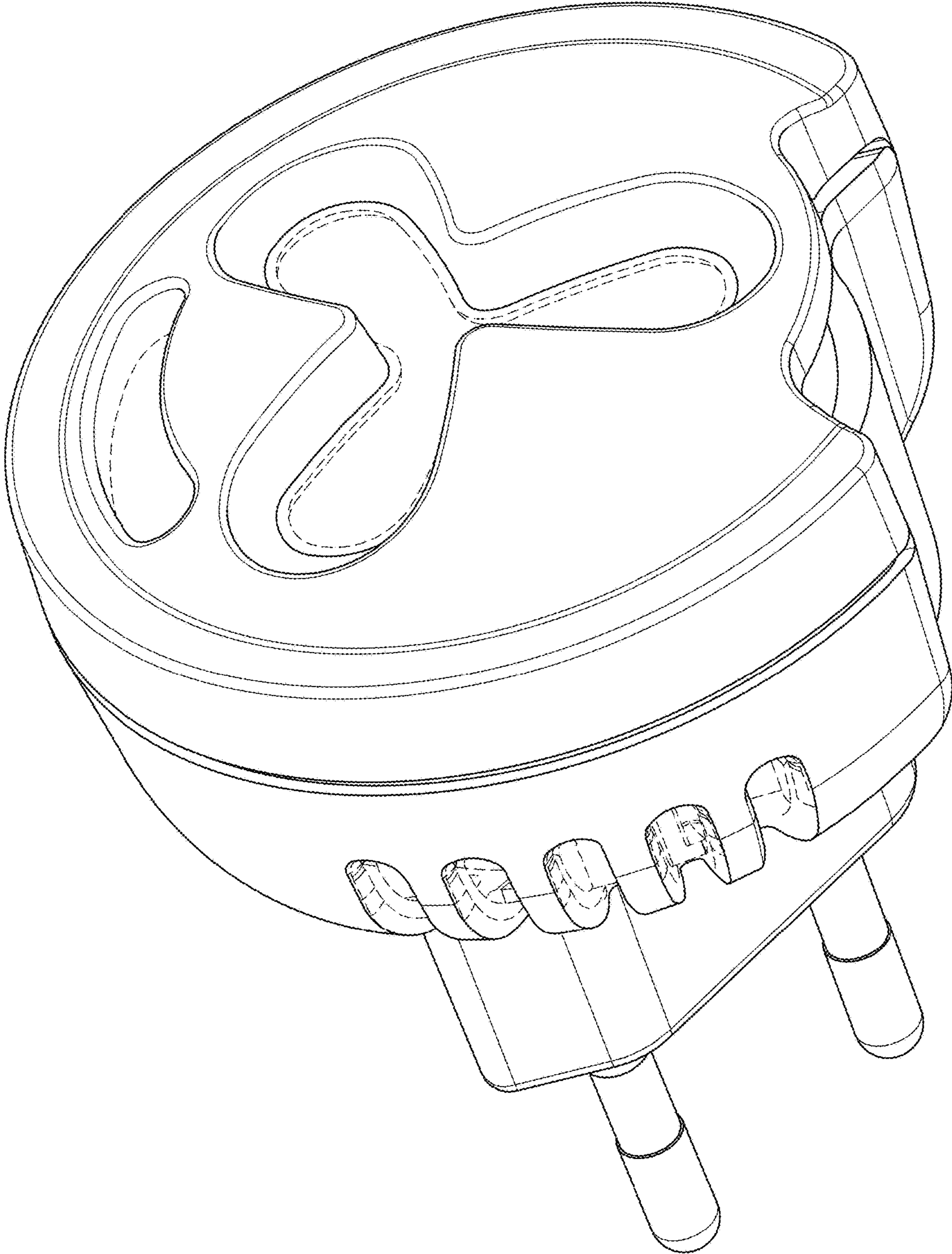


FIG.1

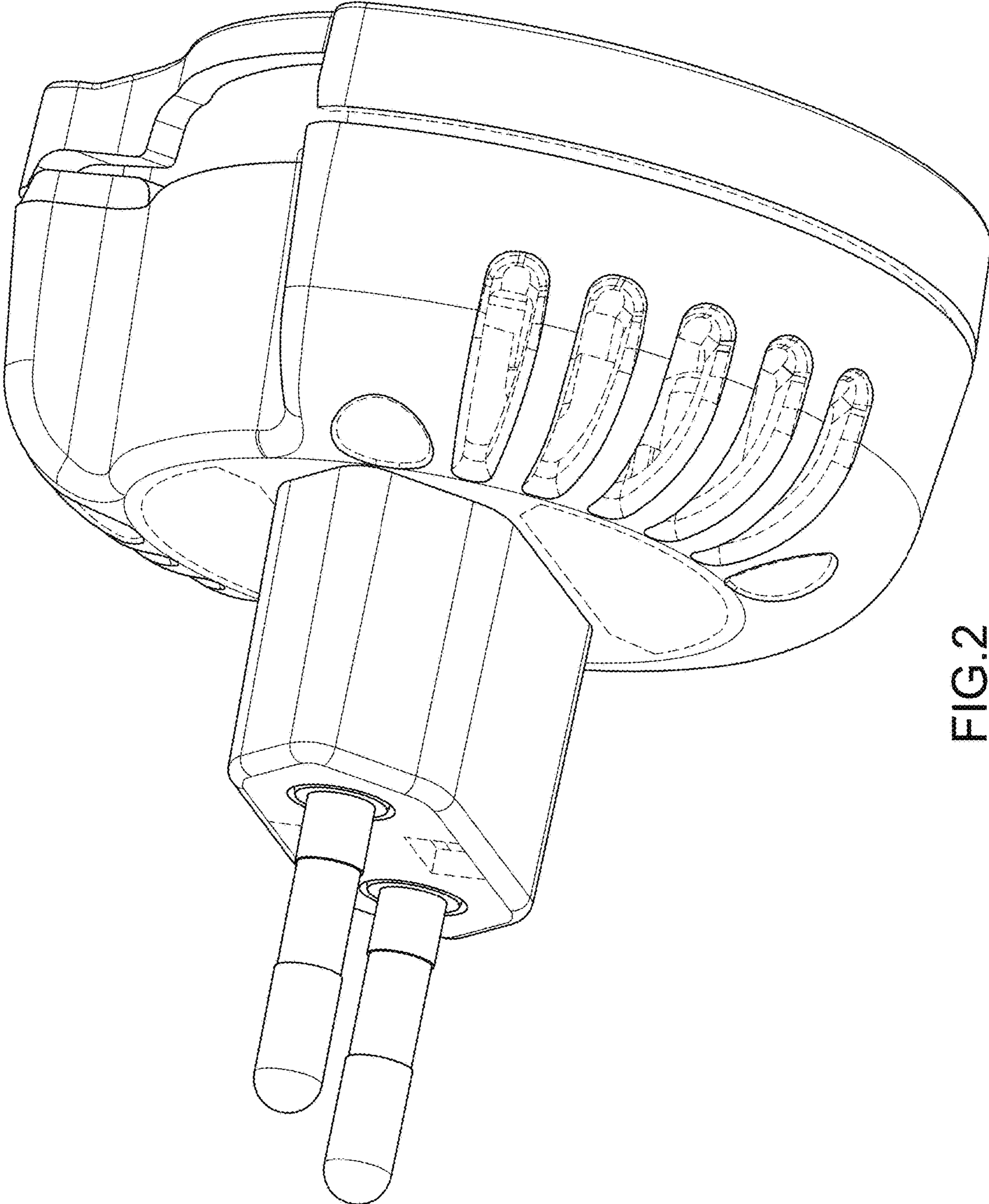


FIG.2



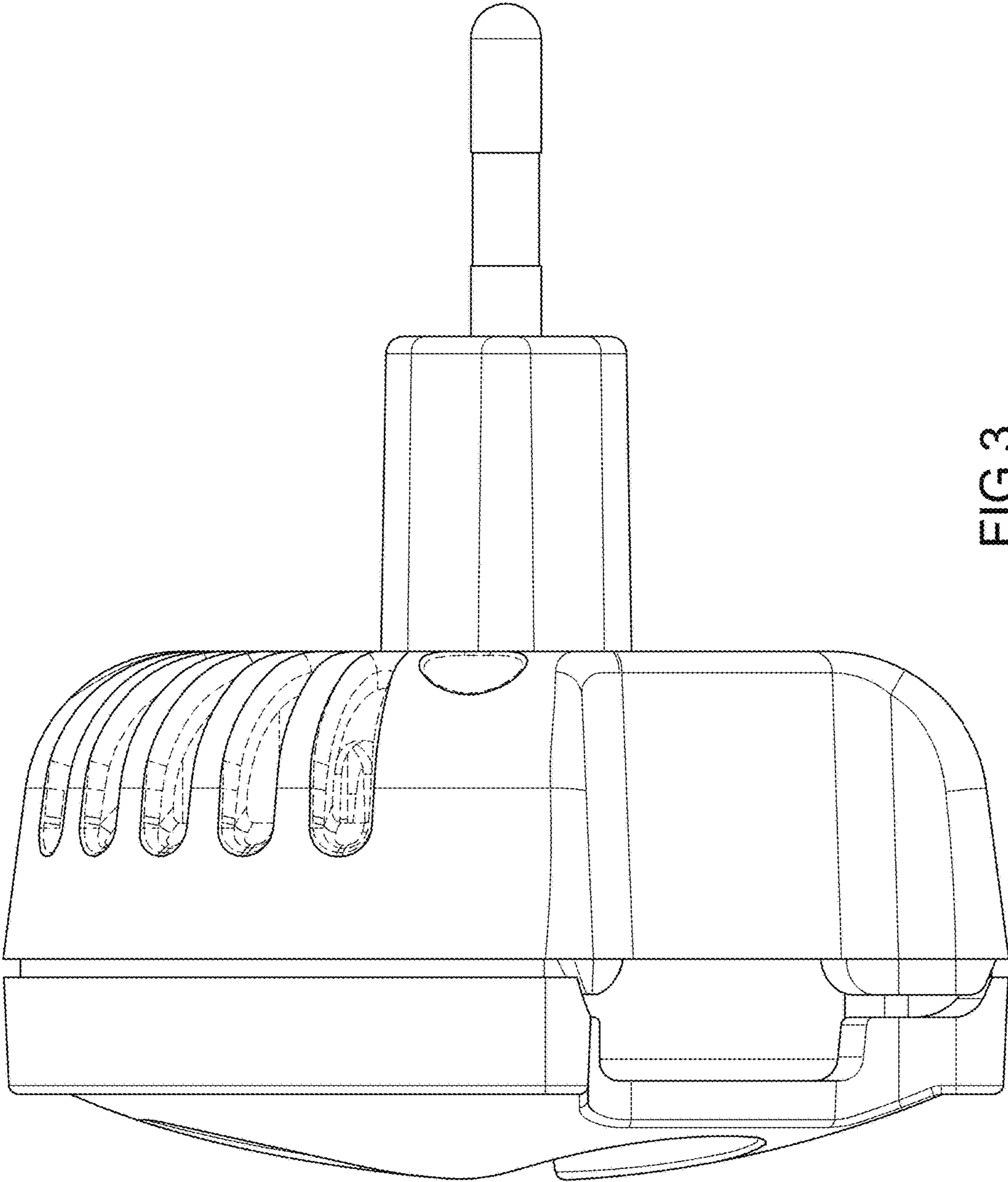


FIG.3

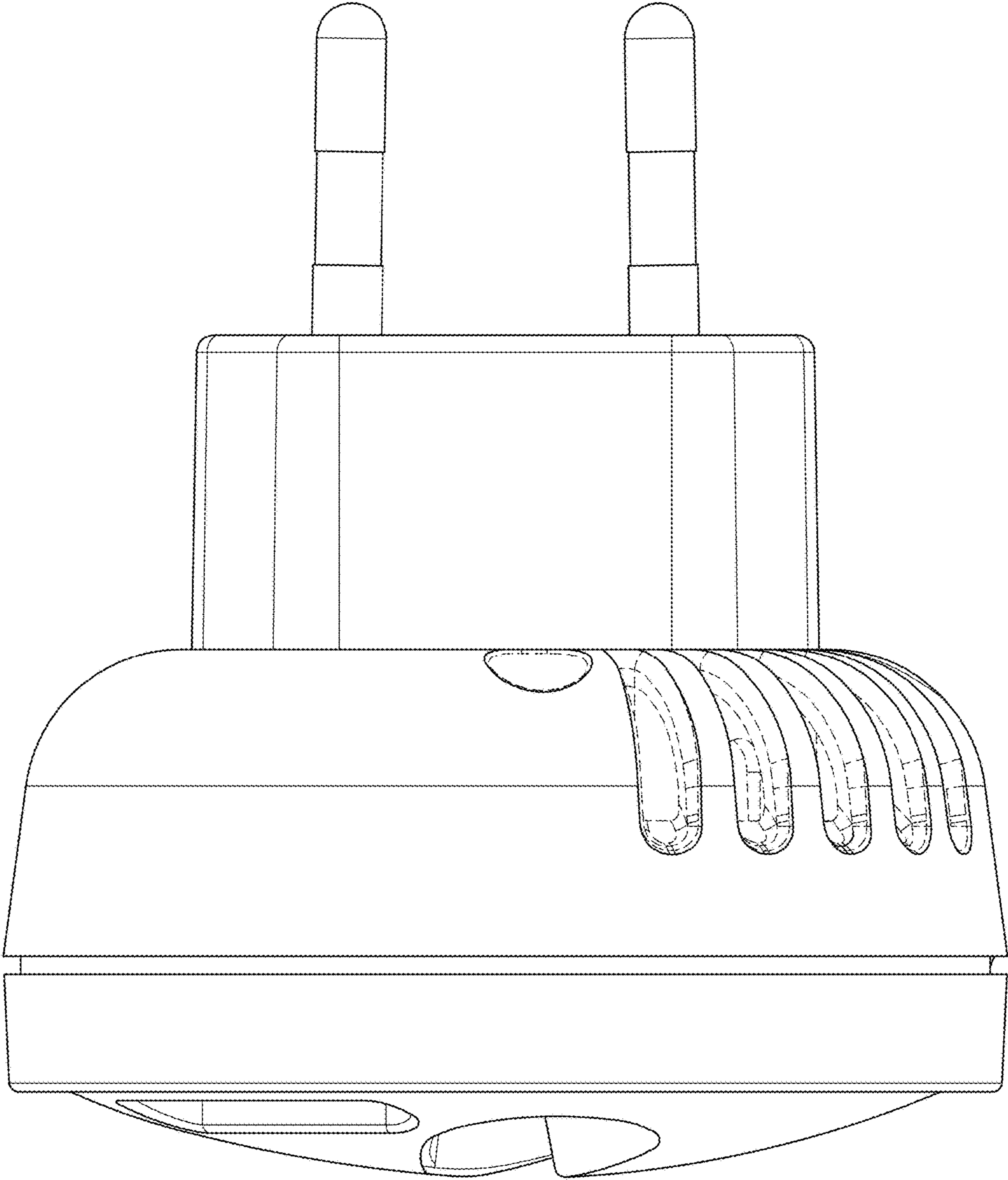


FIG.4

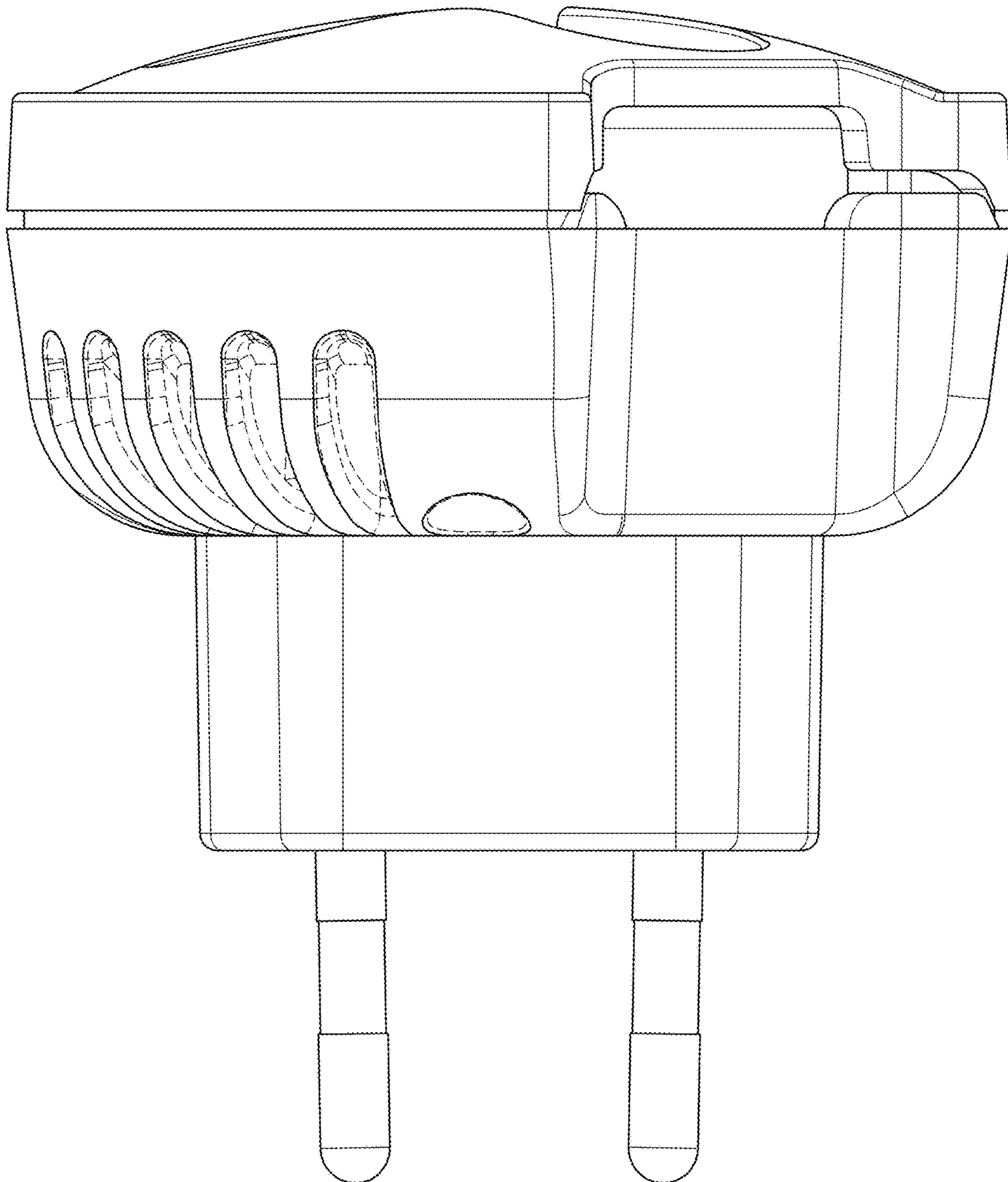


FIG. 5

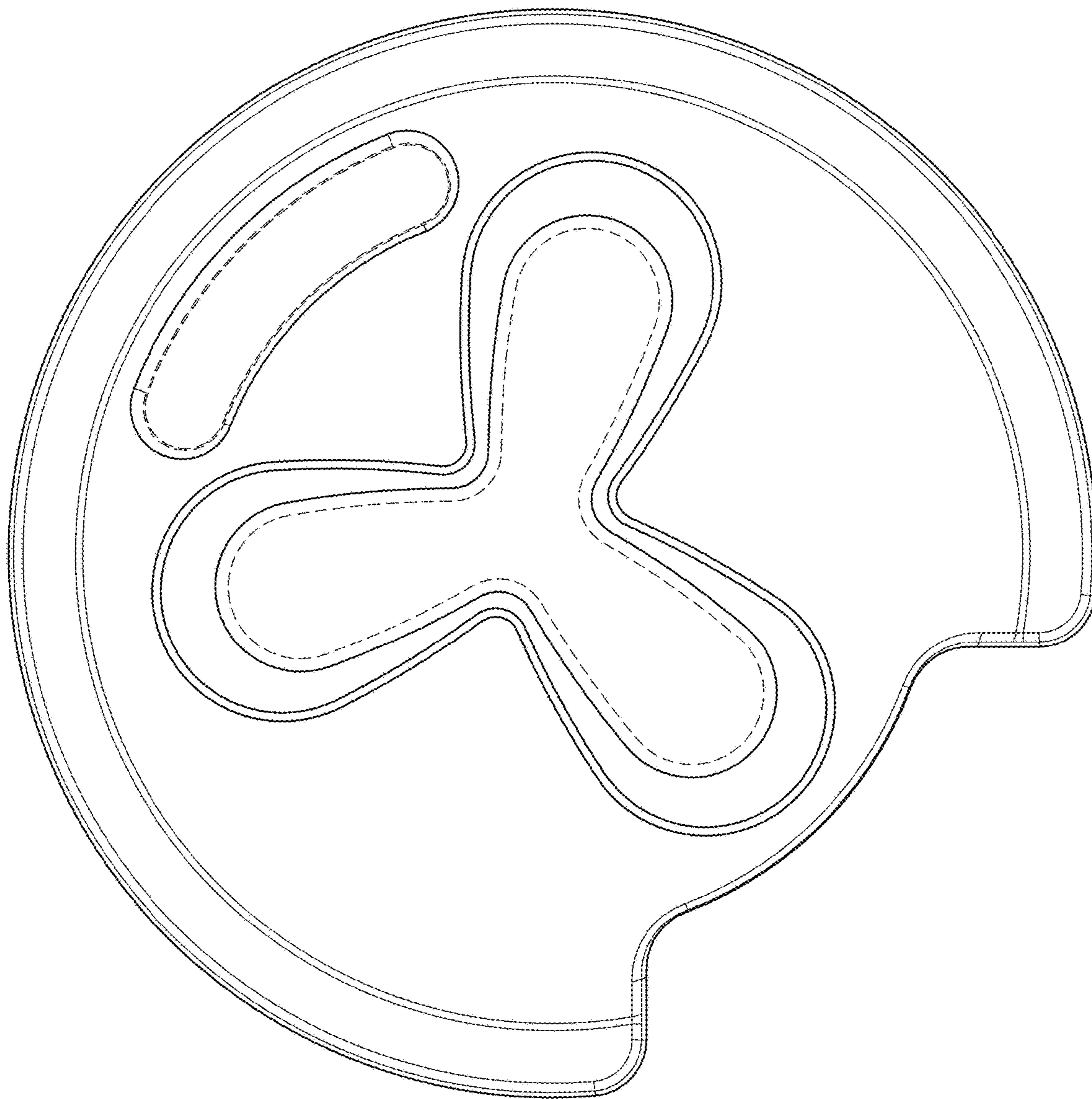


FIG.6



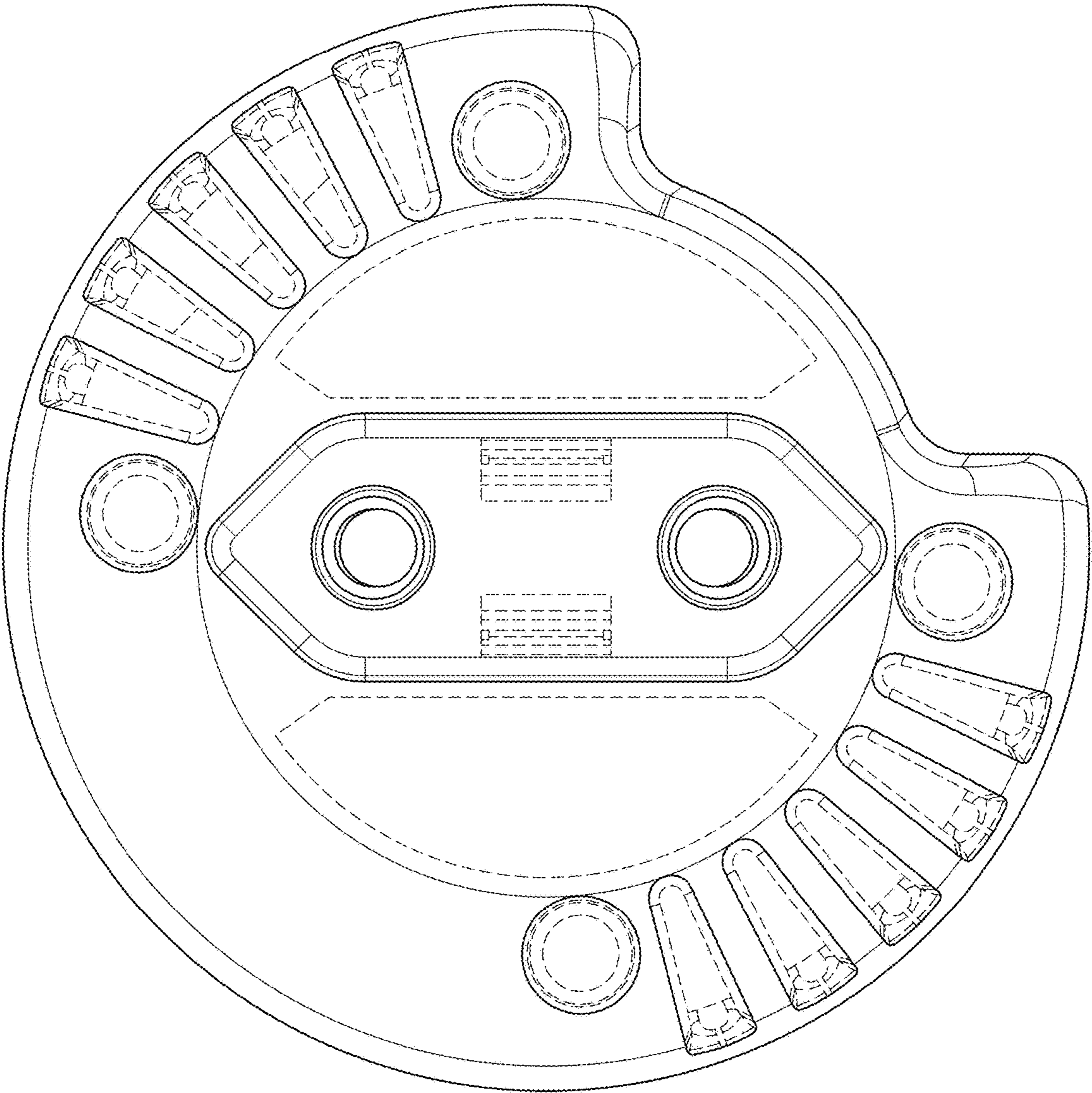


FIG.7