



US00D782634S

(12) **United States Design Patent**
Reid et al.

(10) **Patent No.:** **US D782,634 S**
(45) **Date of Patent:** **** Mar. 28, 2017**

- (54) **TOILET**
- (71) Applicant: **Kohler Co.**, Kohler, WI (US)
- (72) Inventors: **Mary J. Reid**, Sheboygan, WI (US);
Gary N. Clarke, Sheboygan, WI (US);
Alexander LeTourneau, Sheboygan,
WI (US); **Robin A. Goad**, Sheboygan,
WI (US)
- (73) Assignee: **KOHLER CO.**, Kohler, WI (US)
- (**) Term: **15 Years**
- (21) Appl. No.: **29/568,252**
- (22) Filed: **Jun. 16, 2016**

- D465,272 S 11/2002 Gordon
- D556,873 S 12/2007 Lin et al.
- D558,313 S 12/2007 Igarashi et al.
- D594,944 S 6/2009 Starck
- D654,993 S 2/2012 Ando et al.
- D657,031 S 4/2012 Bickerstaffe et al.

OTHER PUBLICATIONS

Kohler Fixture 2014 Price Book, wall-hung dual flush toilet K-6303, p. 315.
Kohler Fixture 2013 Price Book, K-3825 Gabrielle comfort height toilet with bidet functionality, p. 287.

Primary Examiner — Robert Delehanty
(74) *Attorney, Agent, or Firm* — Foley & Lardner LLP

(57) **CLAIM**

We claim the ornamental design for a toilet, as shown and described.

DESCRIPTION

FIG. 1 is a perspective view of another embodiment of the claimed design;
FIG. 2 is a front view of the embodiment of FIG. 1;
FIG. 3 is a rear view of the embodiment of FIG. 1;
FIG. 4 is a side view of the embodiment of FIG. 1;
FIG. 5 is another side view of the embodiment of FIG. 1;
FIG. 6 is a top view of the embodiment of FIG. 1; and,
FIG. 7 is a bottom view of the embodiment of FIG. 1.
The ornamental design which is claimed is shown in solid lines in the drawings. The broken lines in the drawings form no part of the claimed design. Broken lines formed by equal length dashes show unclaimed subject matter. Broken lines formed of unequal length dashes (i.e., dash-dot) define bounds of the claimed design.

Related U.S. Application Data

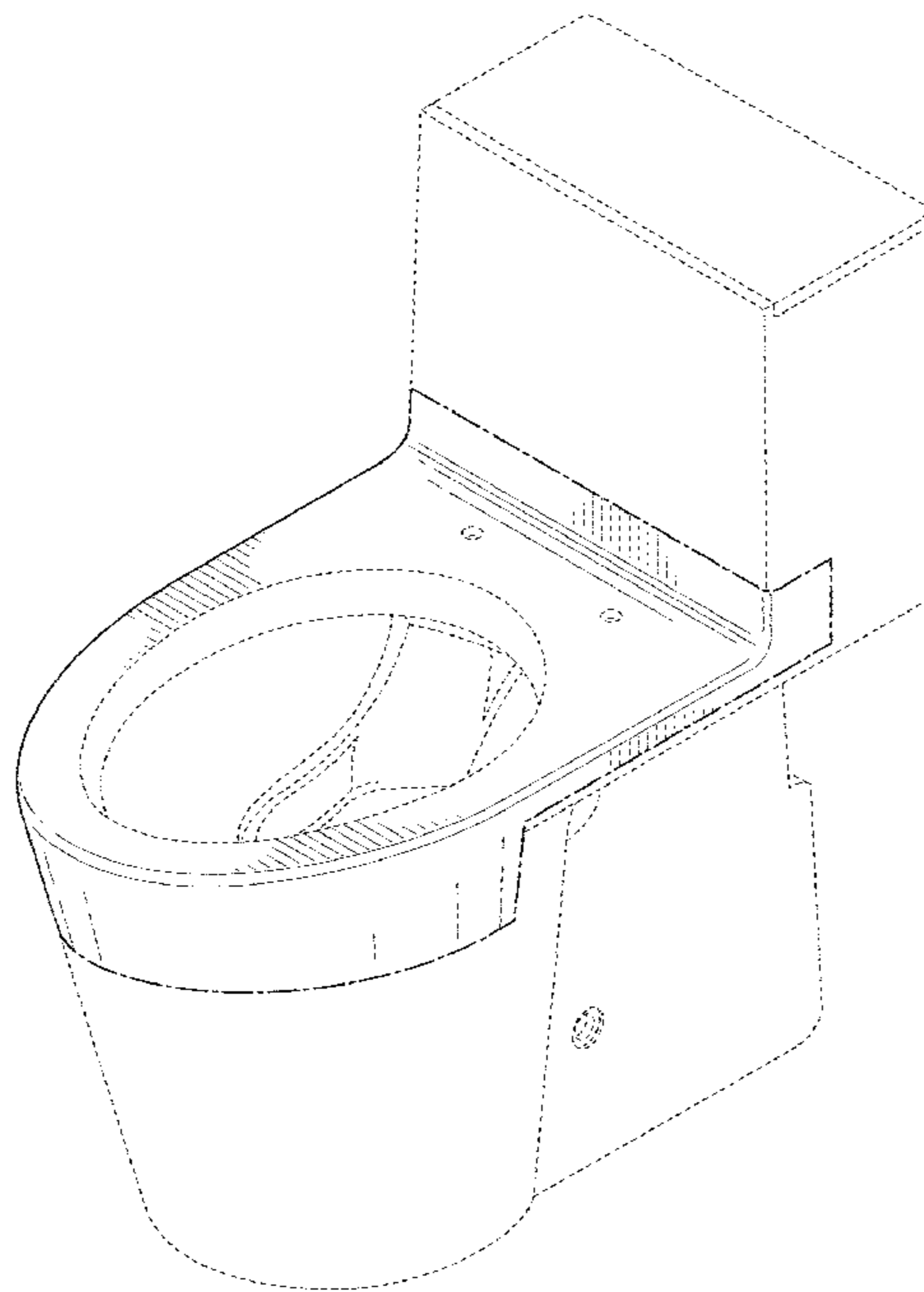
- (62) Division of application No. 29/545,040, filed on Nov. 9, 2015, now Pat. No. Des. 767,743.
- (51) **LOC (10) Cl.** **23-02**
- (52) **U.S. Cl.**
USPC **D23/309**
- (58) **Field of Classification Search**
USPC D23/295, 299–301, 303, 309, 313
CPC .. E03D 1/00; E03D 1/01; E03D 1/012; E03D
1/26; E03D 1/28
See application file for complete search history.

(56) **References Cited**

U.S. PATENT DOCUMENTS

- D397,214 S 8/1998 Felker
- D437,634 S 2/2001 Hundley
- D439,638 S 3/2001 Hundley

1 Claim, 7 Drawing Sheets



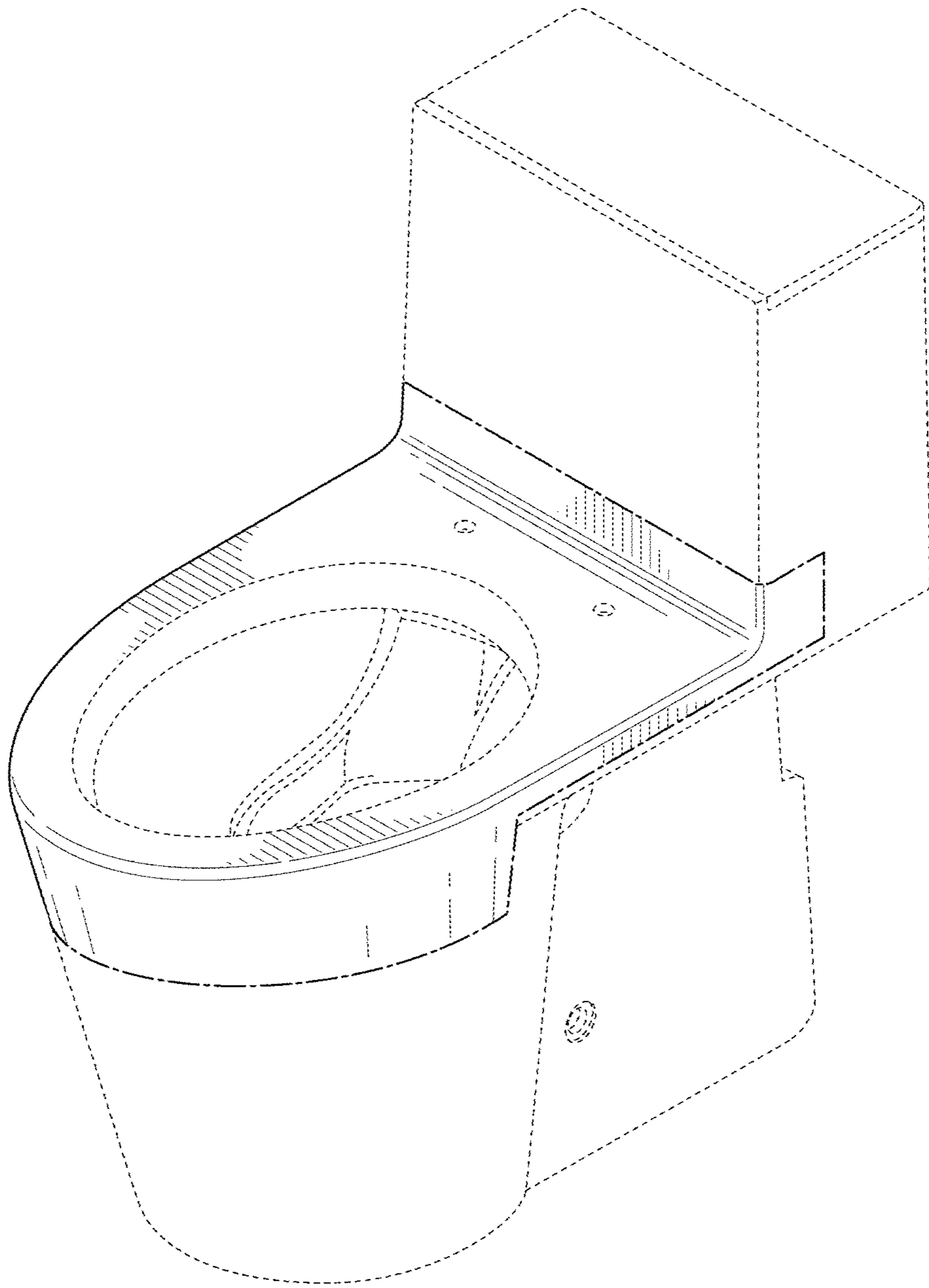


FIG. 1

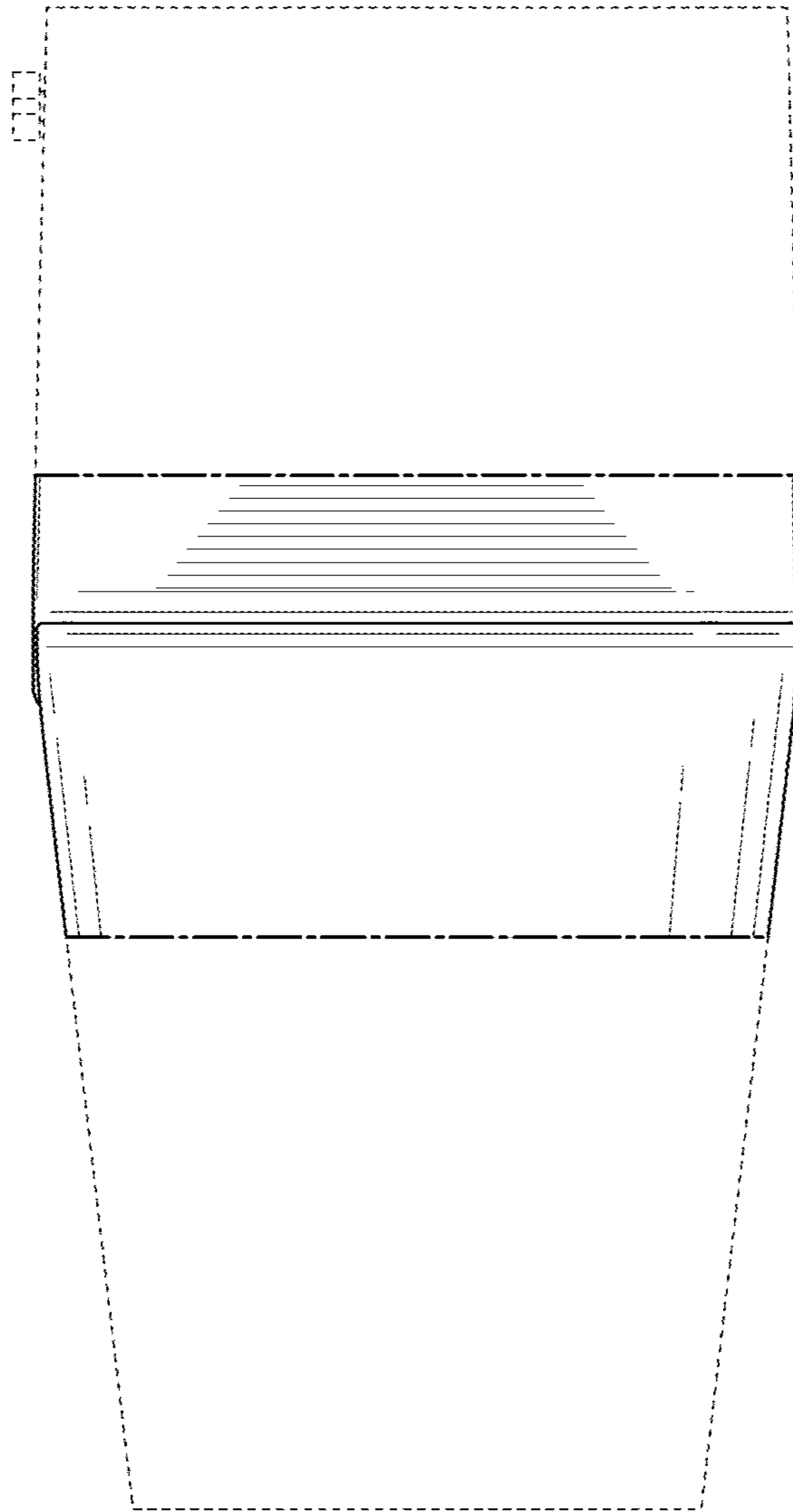


FIG. 2

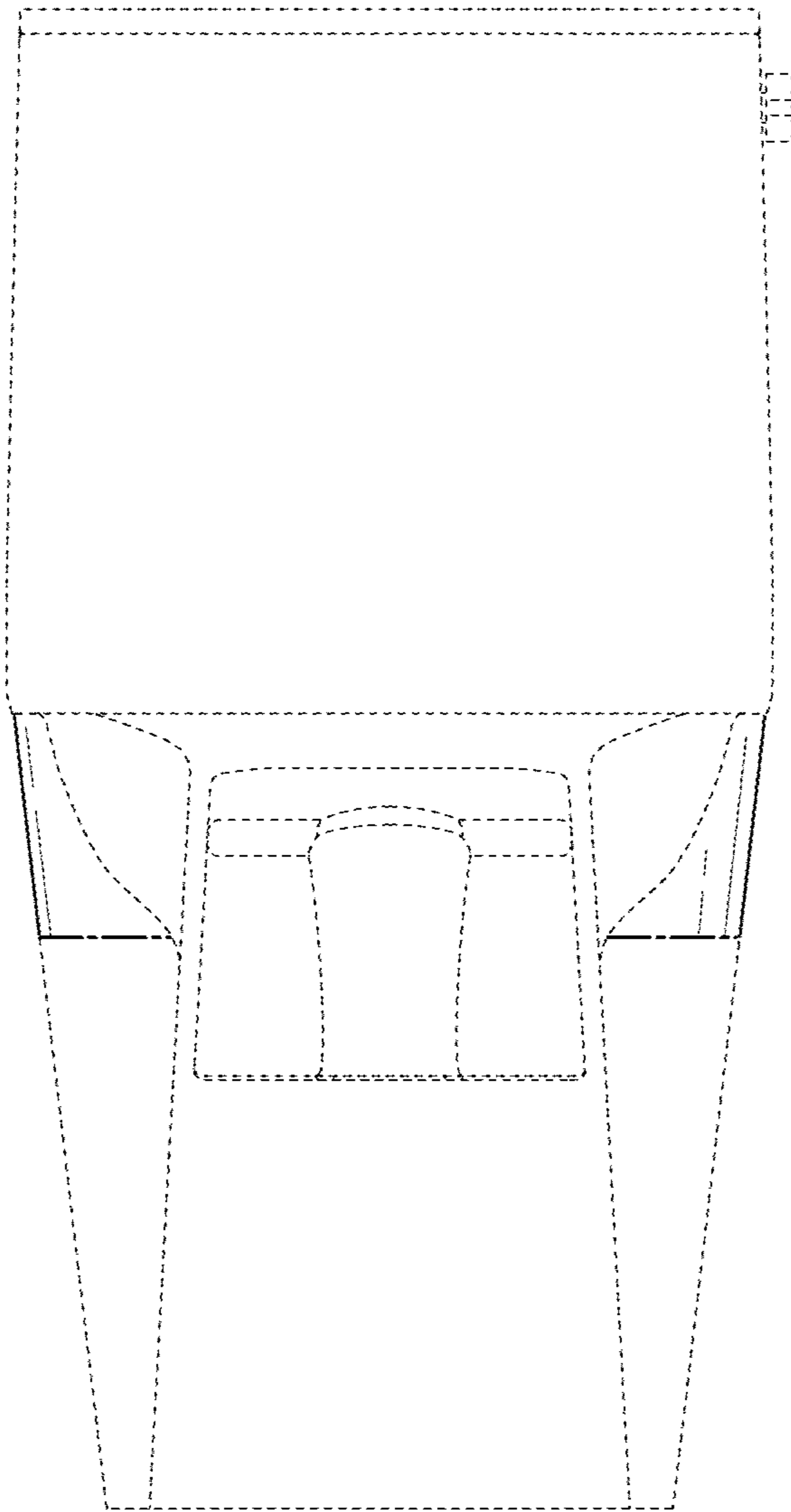


FIG. 3

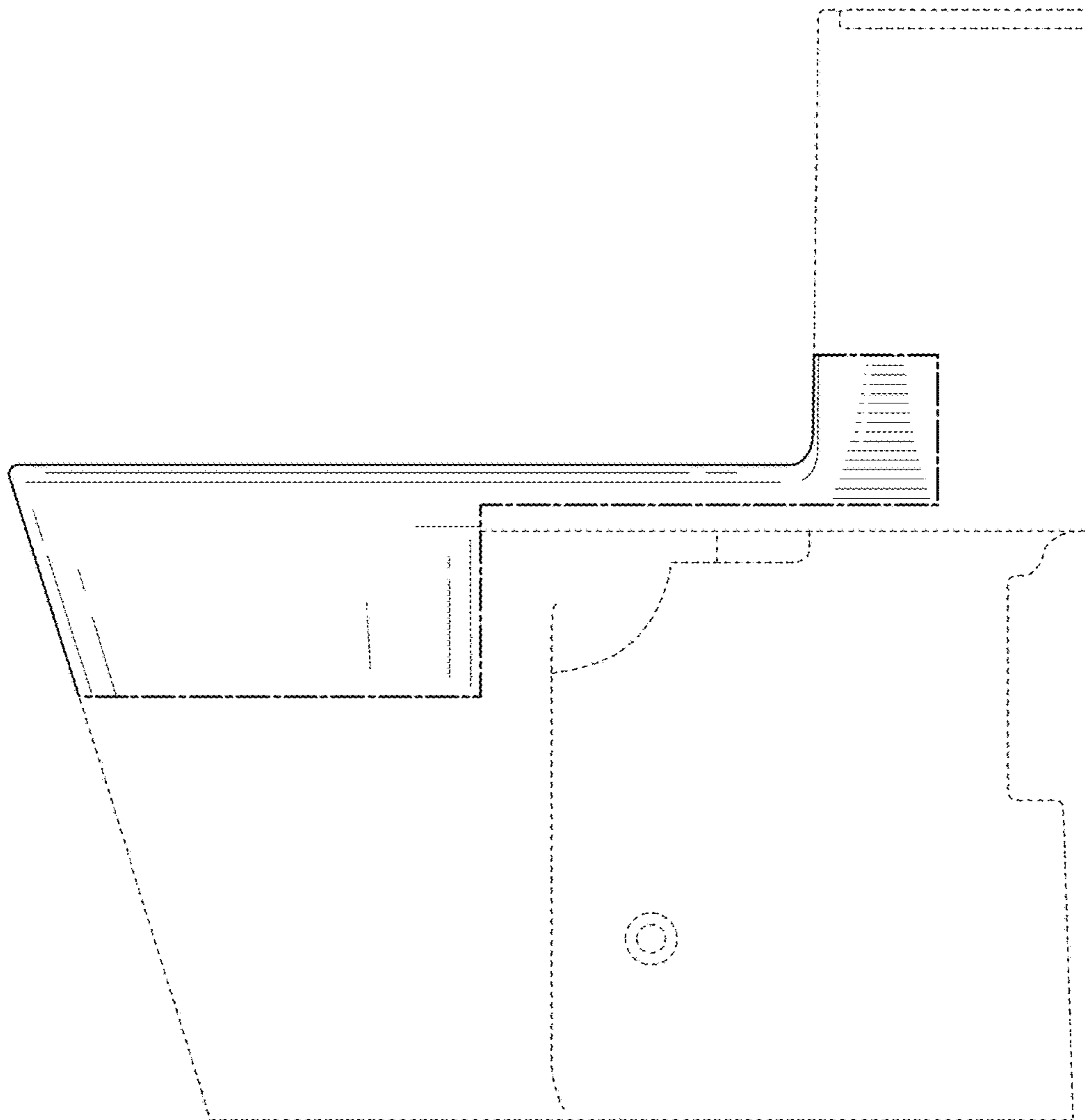


FIG. 4

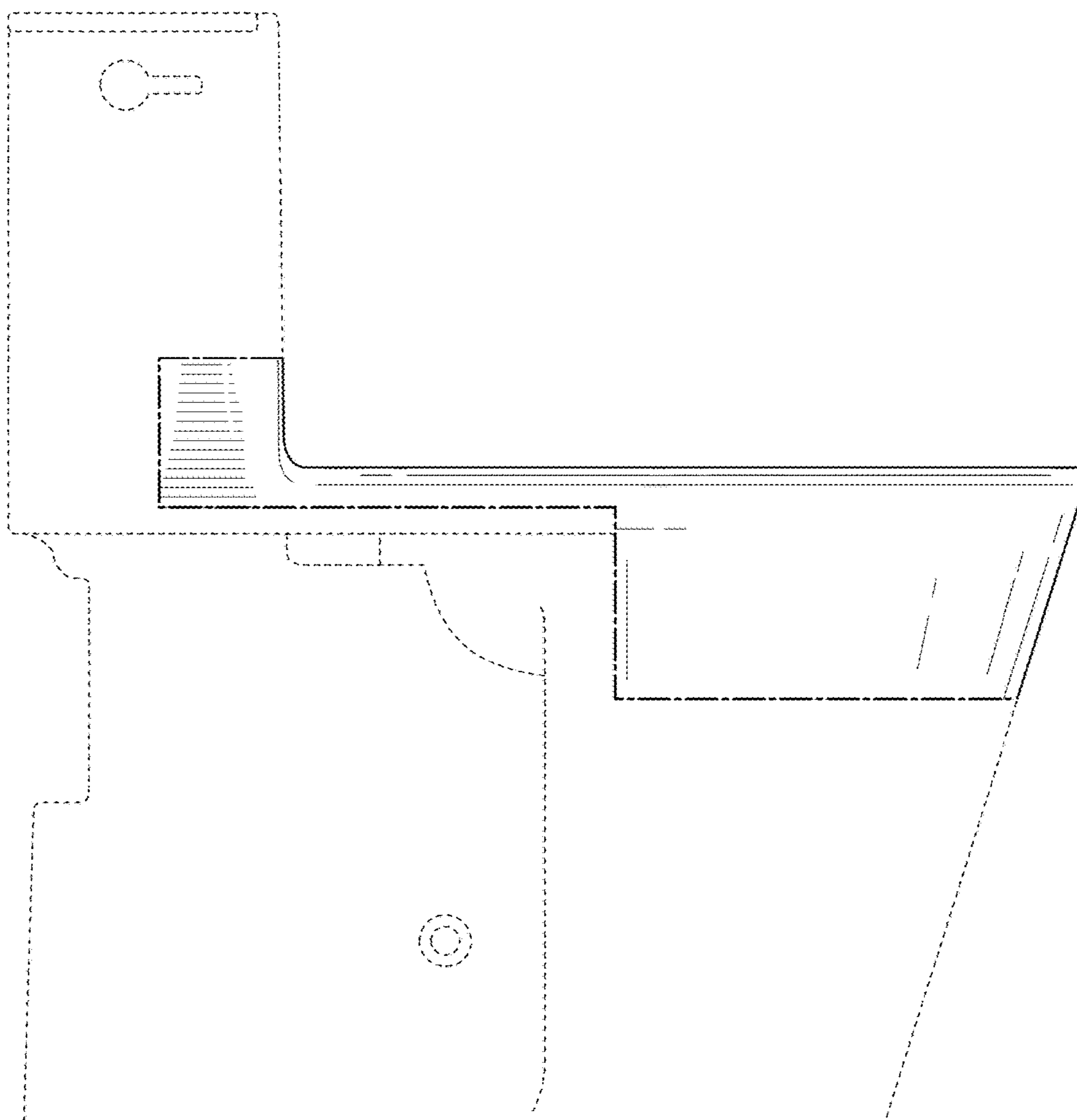


FIG. 5

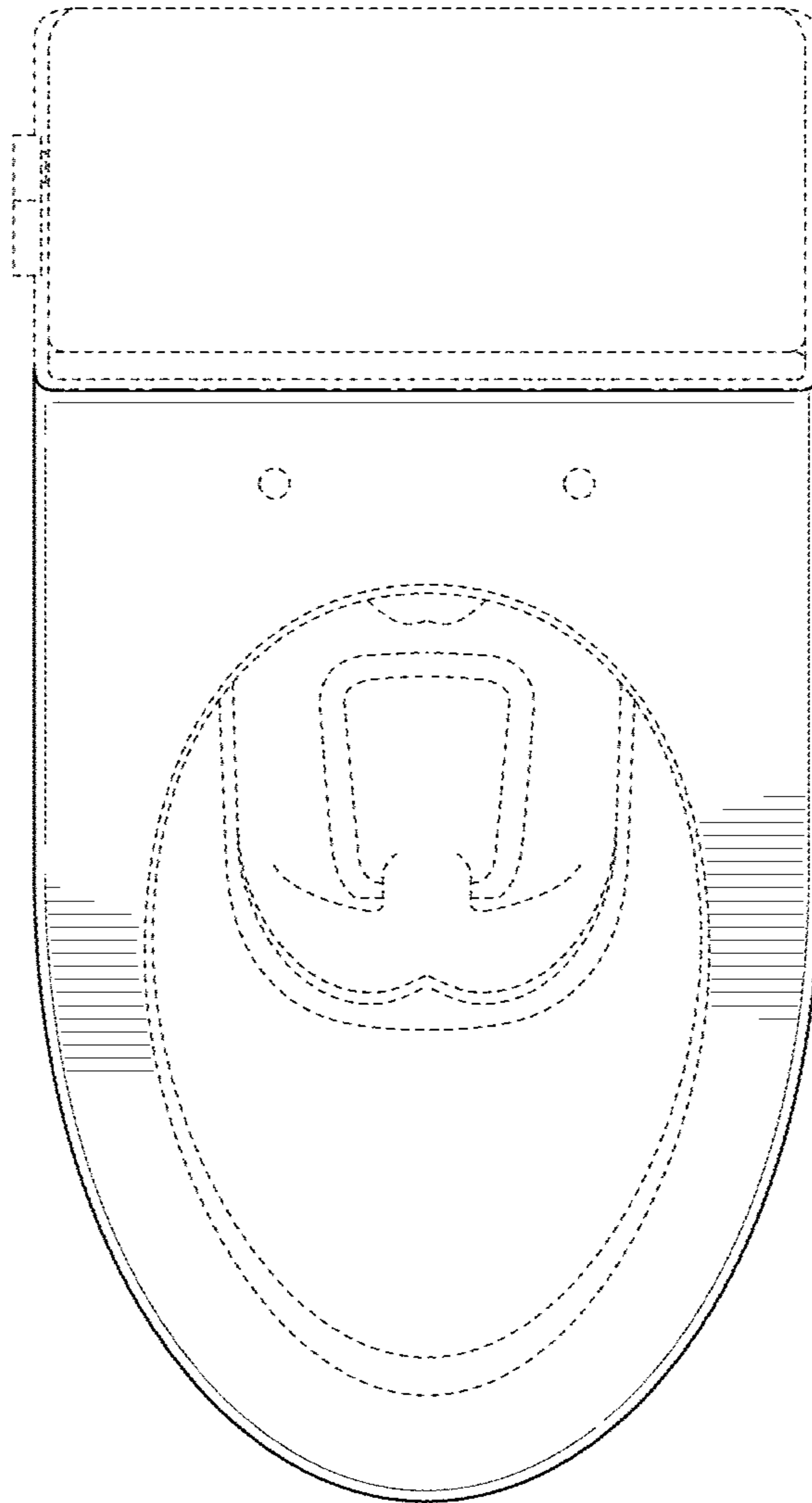


FIG. 6

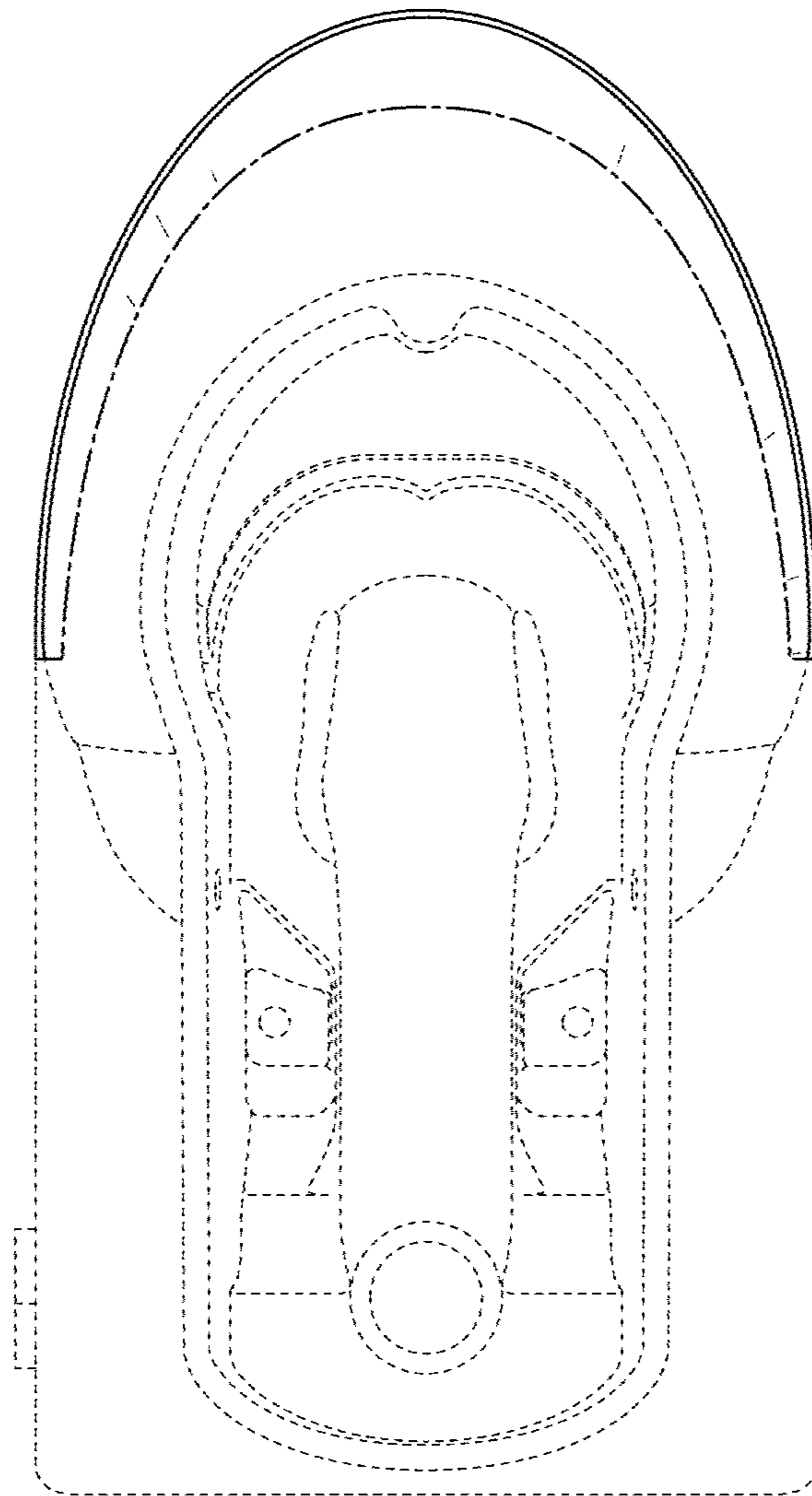


FIG. 7