



US00D782633S

(12) **United States Design Patent**  
**Reisinger**

(10) **Patent No.:** **US D782,633 S**

(45) **Date of Patent:** **\*\* Mar. 28, 2017**

(54) **TOUCHLESS TOILET SYSTEM**

(71) Applicant: **Michael Reisinger**, Elliottsburg, PA  
(US)

(72) Inventor: **Michael Reisinger**, Elliottsburg, PA  
(US)

(\*\*) Term: **15 Years**

(21) Appl. No.: **29/505,294**

(22) Filed: **Sep. 8, 2015**

(51) **LOC (10) Cl.** ..... **23-02**

(52) **U.S. Cl.**  
USPC ..... **D23/309**

(58) **Field of Classification Search**  
USPC ..... D23/309, 303  
CPC ..... A47K 13/10  
See application file for complete search history.

6,189,160 B1 *	2/2001	Pettus	.....	A47K 13/10	4/246.1
6,321,394 B1 *	11/2001	Steir	.....	A47K 13/10	4/246.1
D483,450 S *	12/2003	Moore	.....	D23/309	
D560,274 S *	1/2008	Hoang	.....	D23/309	
8,214,933 B1 *	7/2012	Gaudin	.....	A47K 13/10	4/246.1
8,266,730 B2 *	9/2012	Ricca	.....	A47K 13/10	4/246.1

\* cited by examiner

*Primary Examiner* — Robert Delehanty

(57) **CLAIM**

The ornamental design for a touchless toilet system, as shown and described.

**DESCRIPTION**

FIG. 1 is a right side perspective view of a touchless toilet system showing my new design;  
FIG. 2 is a left side perspective view thereof;  
FIG. 3 is a perspective view thereof;  
FIG. 4 is a front elevational view thereof; and,  
FIG. 5 is a top plan view thereof.

**1 Claim, 5 Drawing Sheets**

(56) **References Cited**

**U.S. PATENT DOCUMENTS**

4,807,307 A *	2/1989	Sato	.....	A47K 13/10	4/246.4
D375,346 S *	11/1996	Garcia	.....	D23/311	
5,852,833 A *	12/1998	Gregoire	.....	A47K 13/10	4/246.3
5,857,223 A *	1/1999	Ferdinand	.....	A47K 13/10	4/246.1

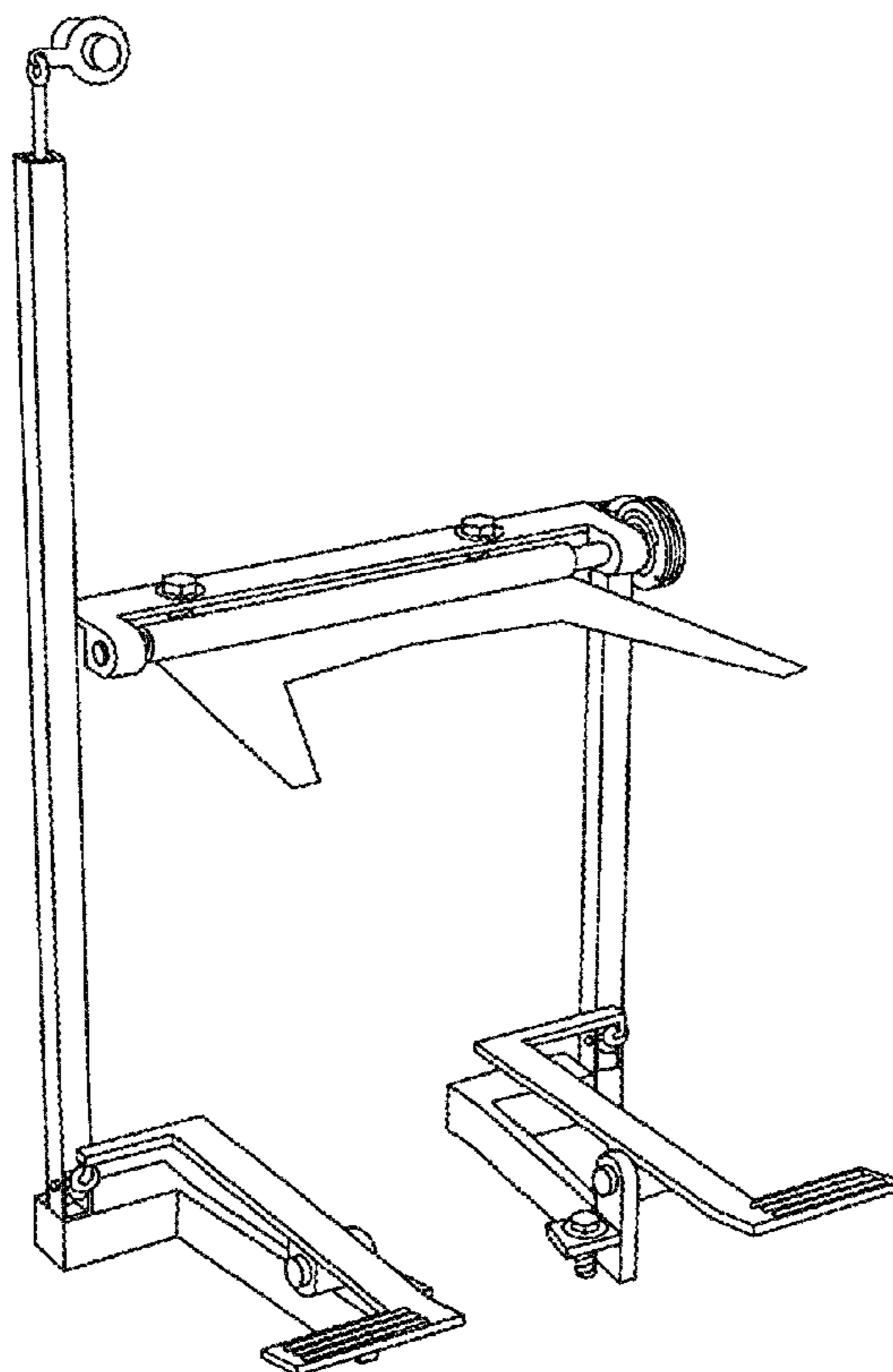


Fig. 1

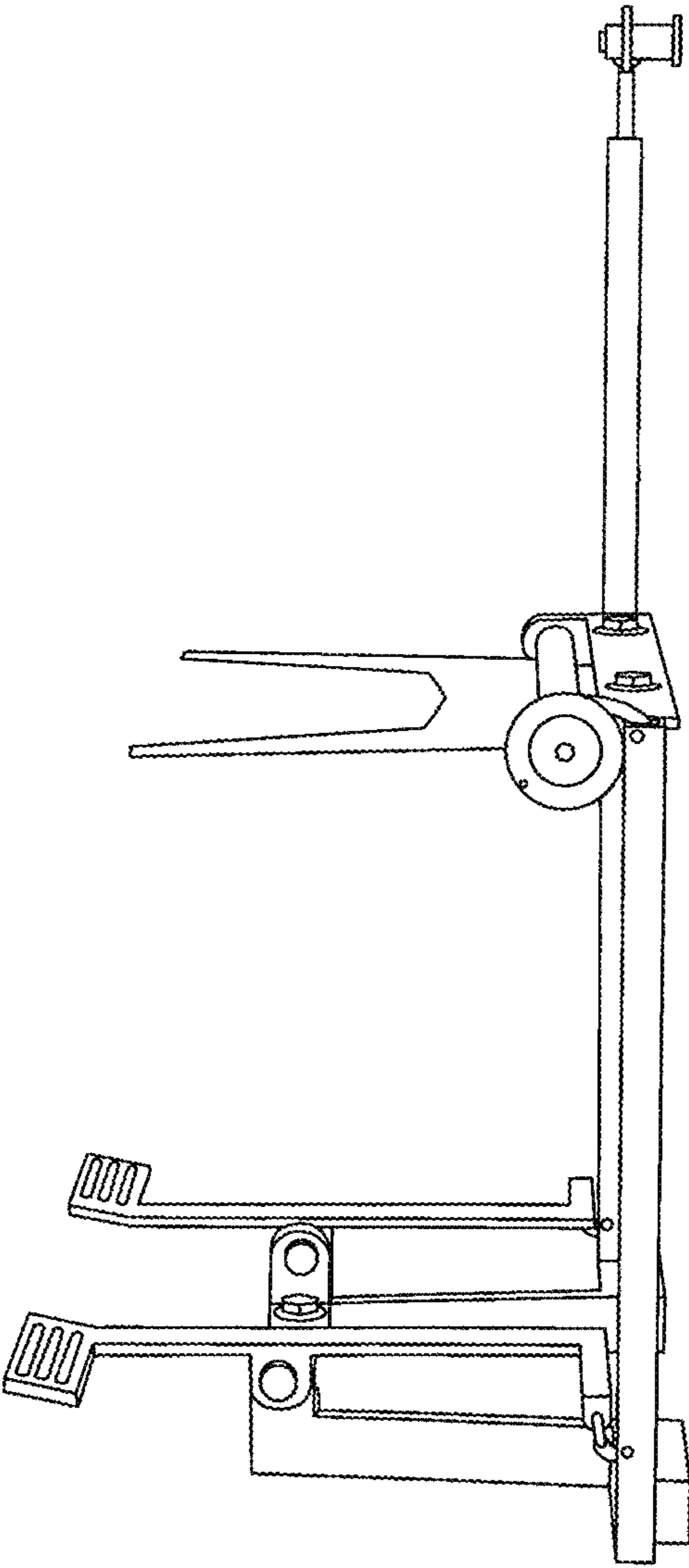


Fig. 2

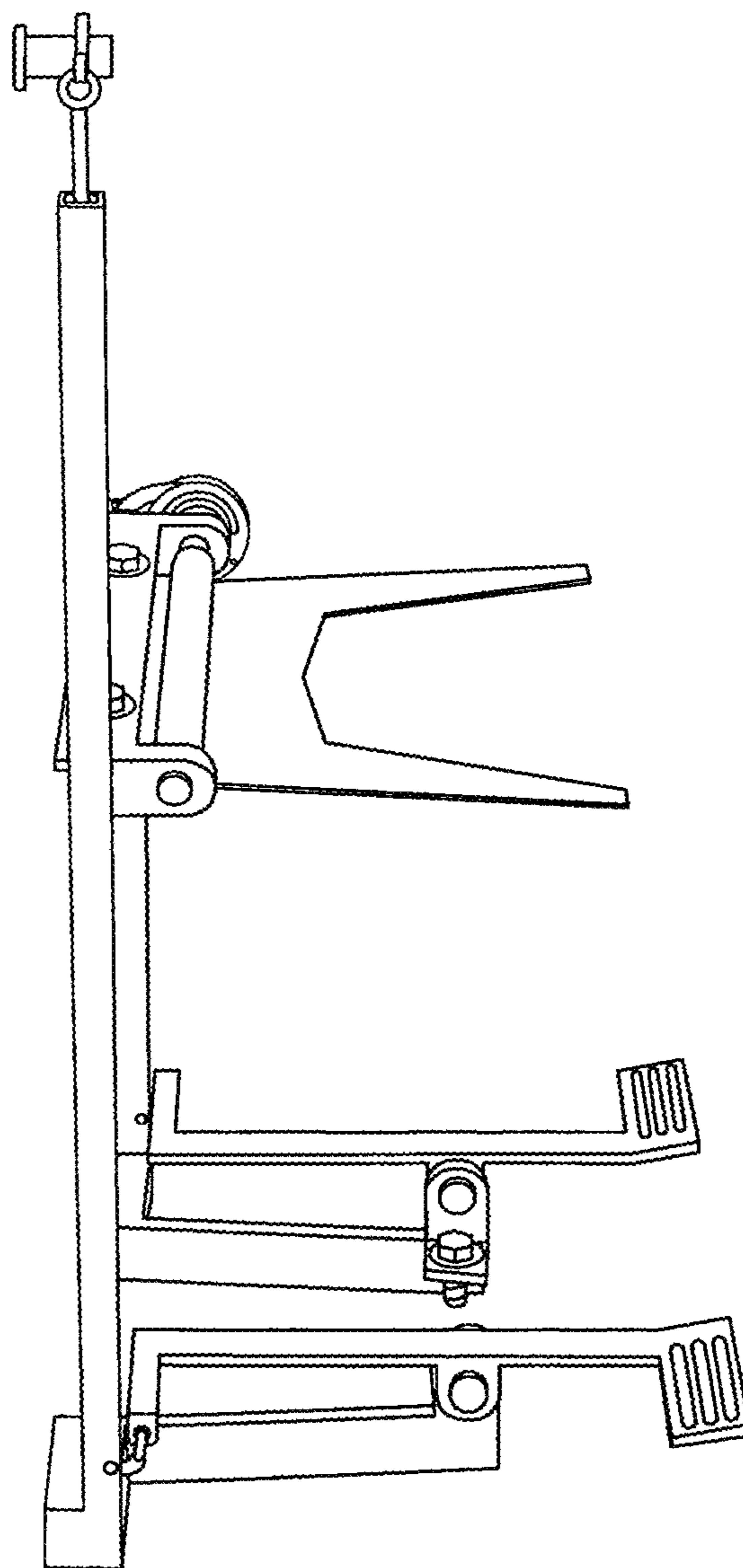


Fig. 3

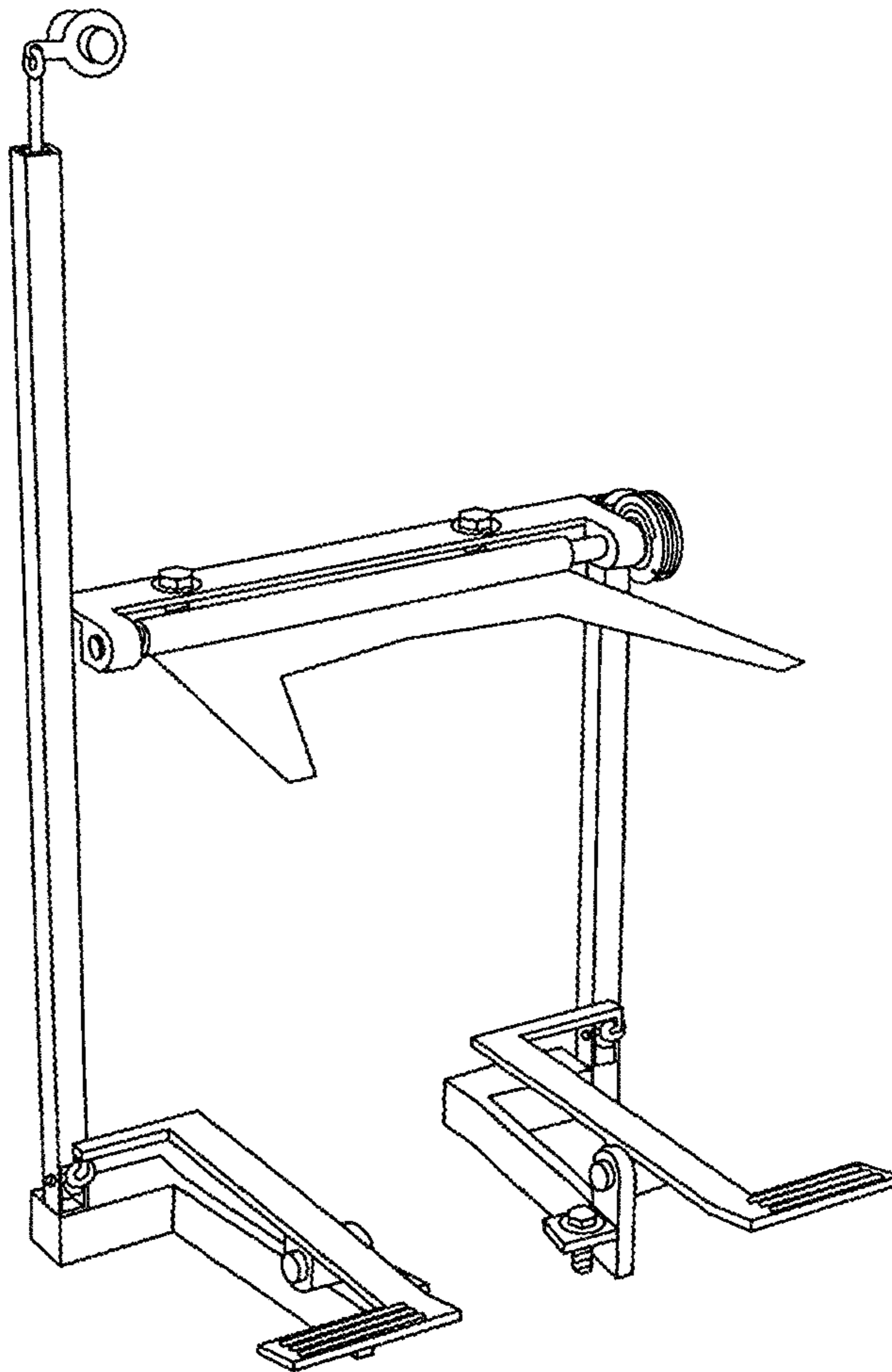


Fig. 4

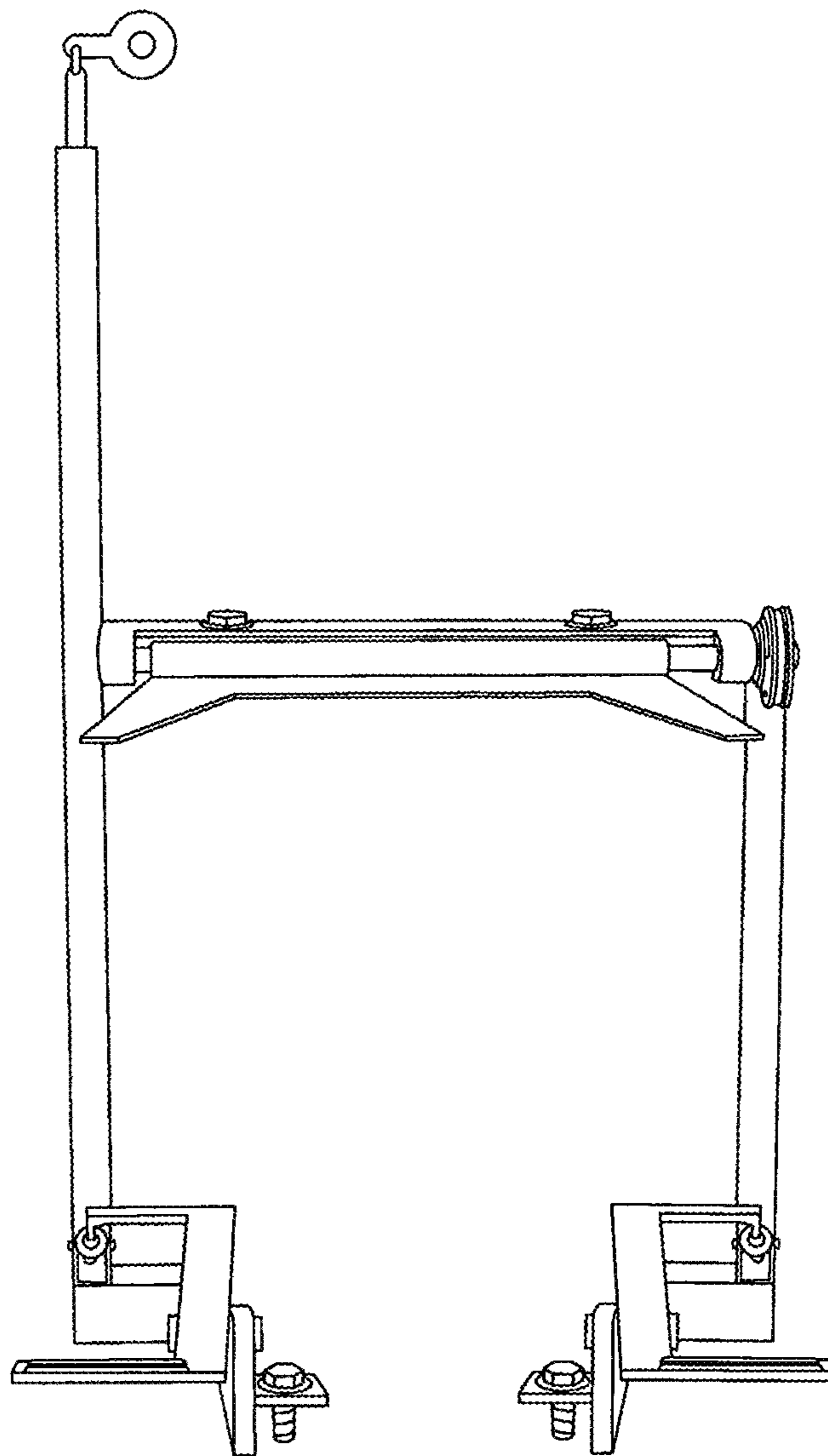


Fig. 5

