



US00D782627S

(12) **United States Design Patent**
Gomes de Oliveira

(10) **Patent No.:** **US D782,627 S**
(45) **Date of Patent:** **** Mar. 28, 2017**

- (54) **BATHTUB**
- (71) Applicant: **Metalúrgica Recor, S.A.**, Arrifana (PT)
- (72) Inventor: **Joaquim Gomes de Oliveira**, Arrifana (PT)
- (73) Assignee: **Metalurgica Recor, S. A.**, Arrifana (PT)
- (**) Term: **15 Years**
- (21) Appl. No.: **29/551,928**
- (22) Filed: **Jan. 19, 2016**
- (51) **LOC (10) Cl.** **23-02**
- (52) **U.S. Cl.**
USPC **D23/277**
- (58) **Field of Classification Search**
USPC **D23/277, 280.1, 275, 273, 303-306**
CPC **A47K 3/02; A47K 3/001**
See application file for complete search history.

7,490,369 B2 * 2/2009 Cunningham A47K 3/02
4/538
D640,354 S 6/2011 Goncalves et al.
D654,991 S 2/2012 Oliveira
D714,427 S 9/2014 Oliveira

* cited by examiner

Primary Examiner — Robert Delehanty
(74) *Attorney, Agent, or Firm* — Quinn IP Law

(57) **CLAIM**

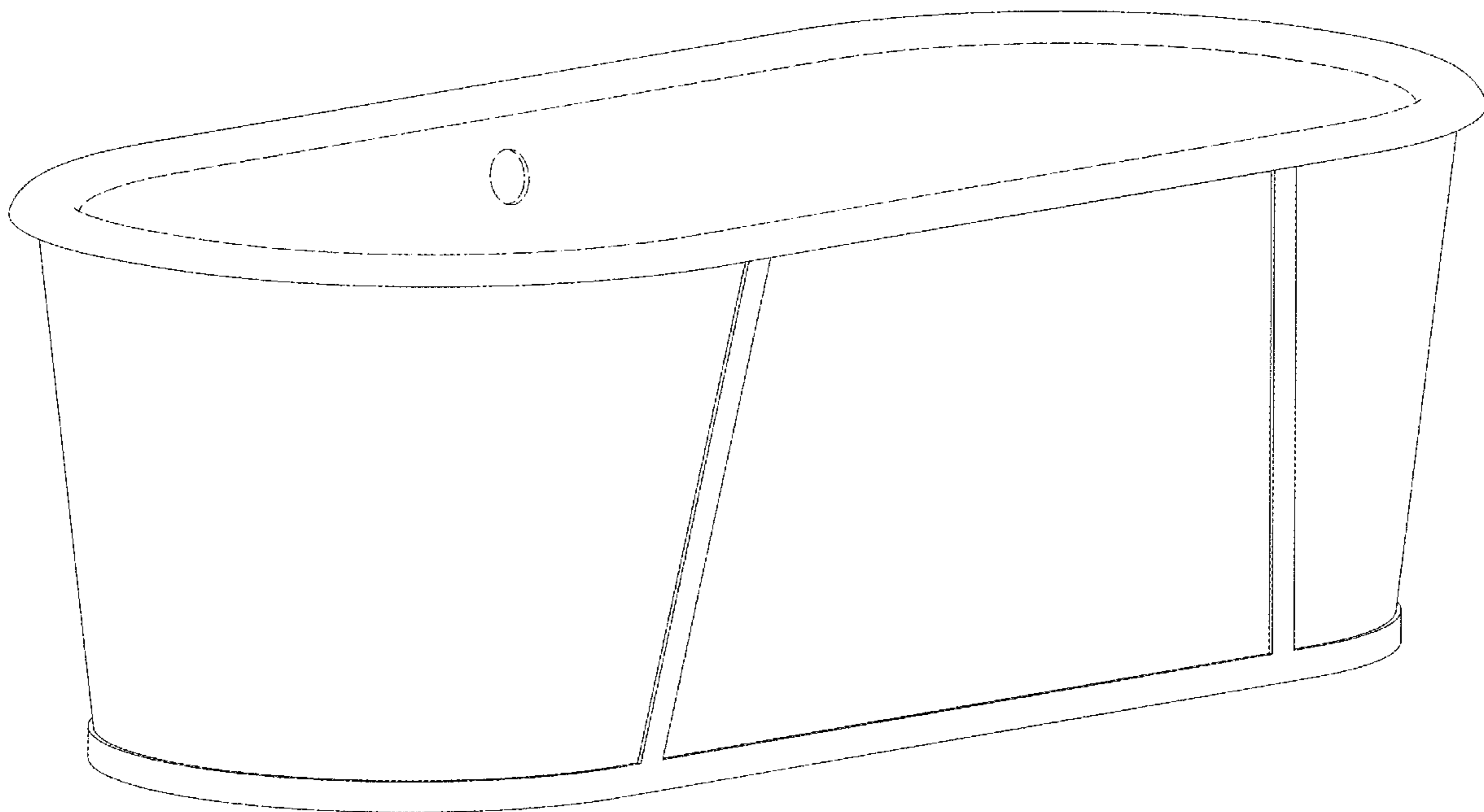
I claim the ornamental design for a bathtub, as shown and described.

DESCRIPTION

FIG. 1 is a front right perspective view of a bathtub;
 FIG. 2 is a front view of the bathtub;
 FIG. 3 is a rear view of the bathtub;
 FIG. 4 is a right side view and a left side view of the bathtub;
 FIG. 5 is a top view of the bathtub;
 FIG. 6 is a bottom view of the bathtub; and,
 FIG. 7 is a rear left perspective view of the bathtub.
 All broken lines in the drawings illustrate portions of bathtub that form no part of the claimed design.

1 Claim, 7 Drawing Sheets

- (56) **References Cited**
U.S. PATENT DOCUMENTS
4,535,489 A * 8/1985 Elkins A47K 3/001
4/538
D473,634 S * 4/2003 Foster D23/277



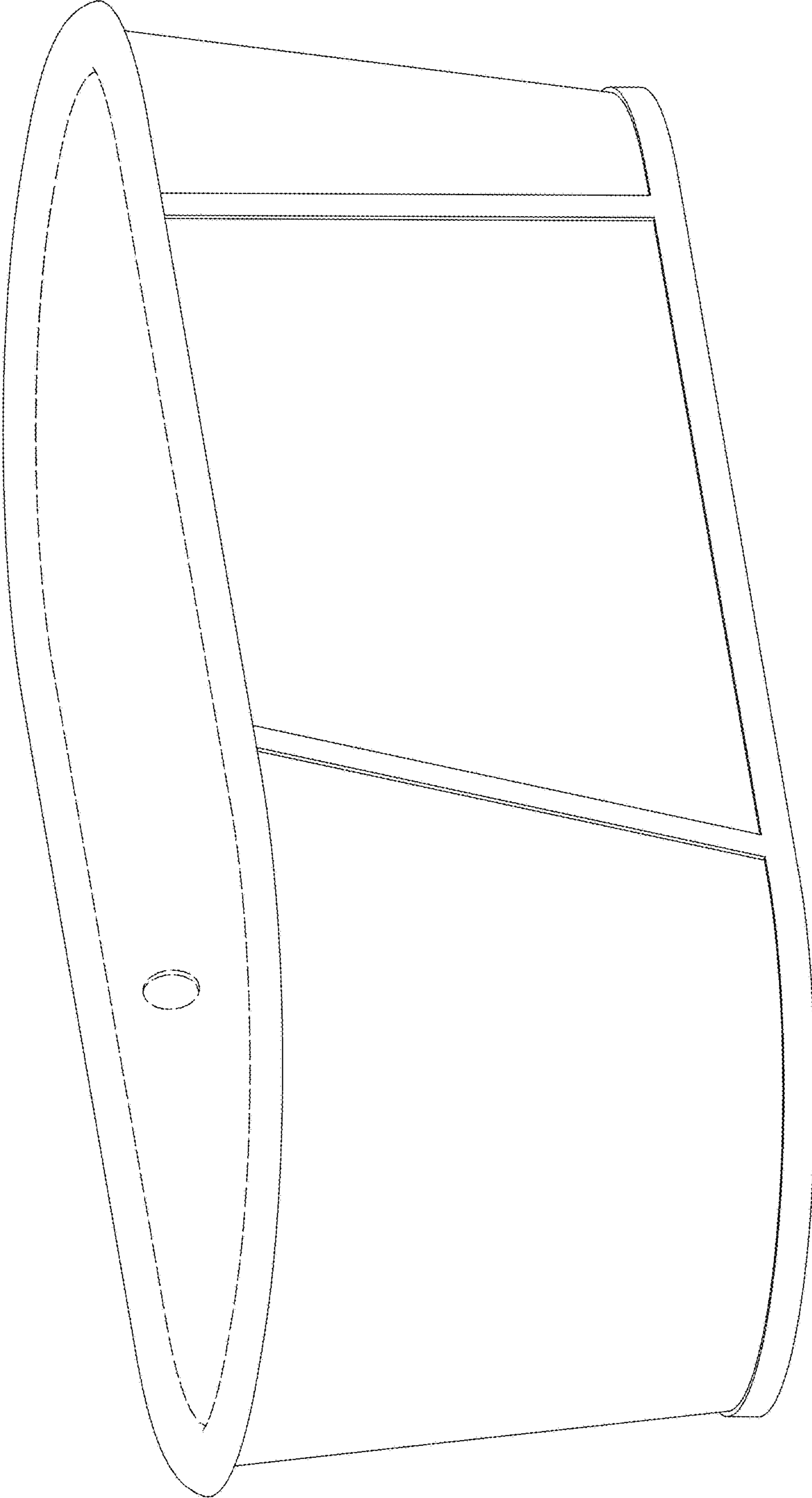


FIG. 1

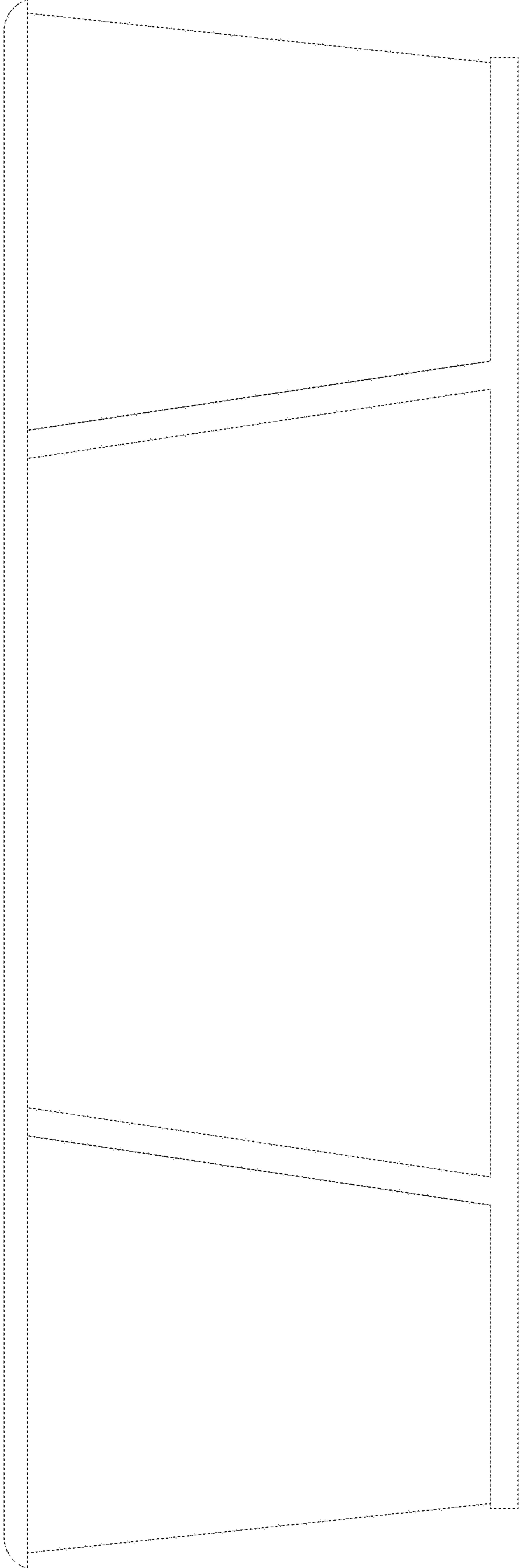


FIG. 2

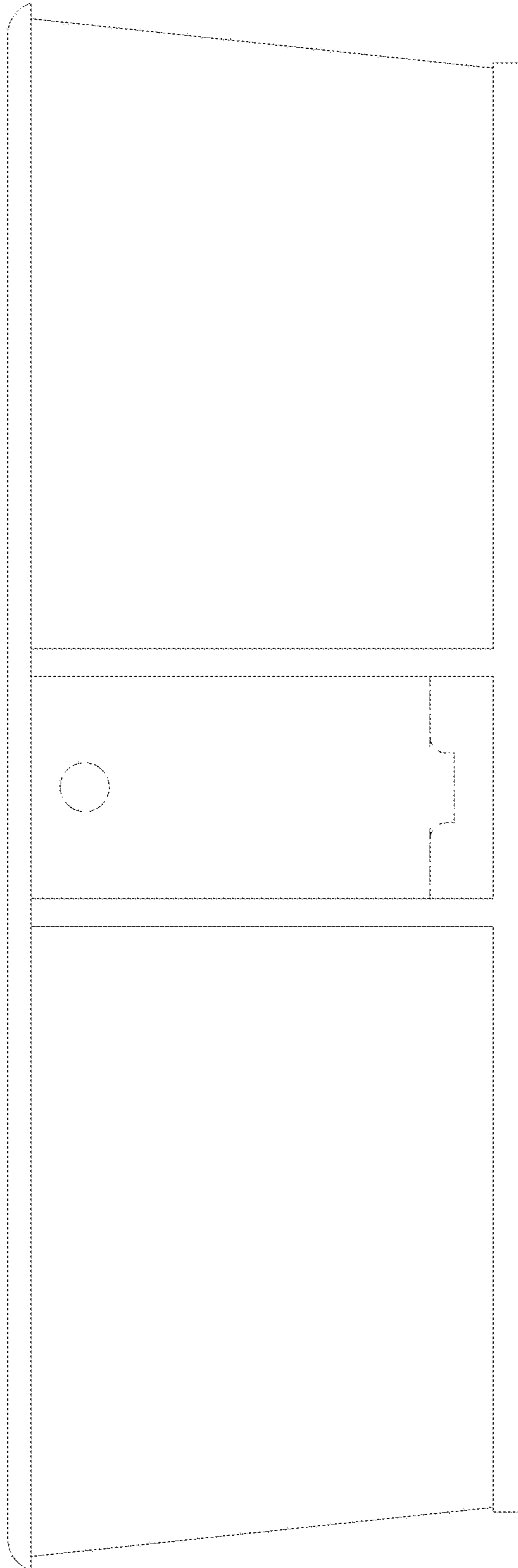


FIG. 3

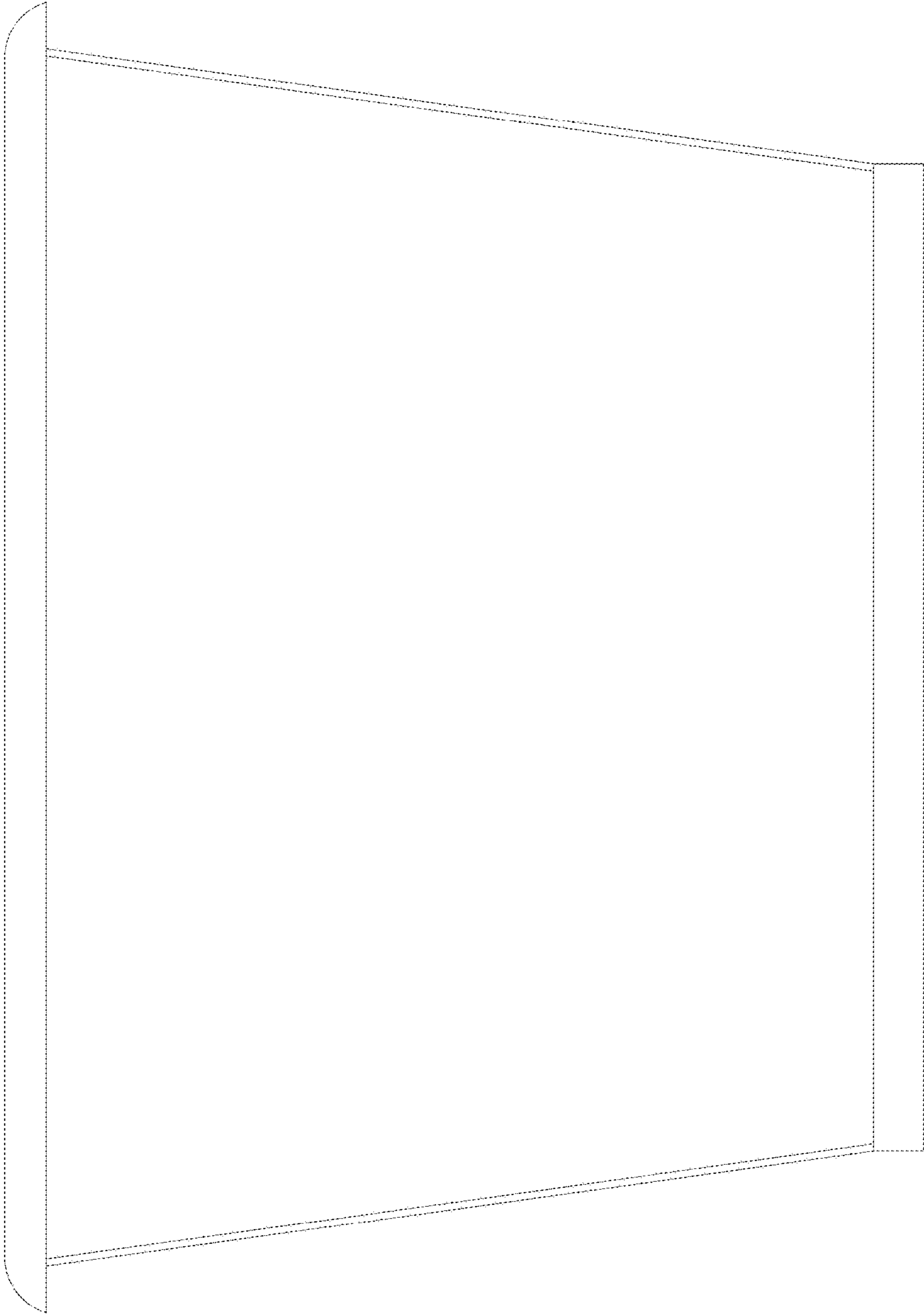


FIG. 4

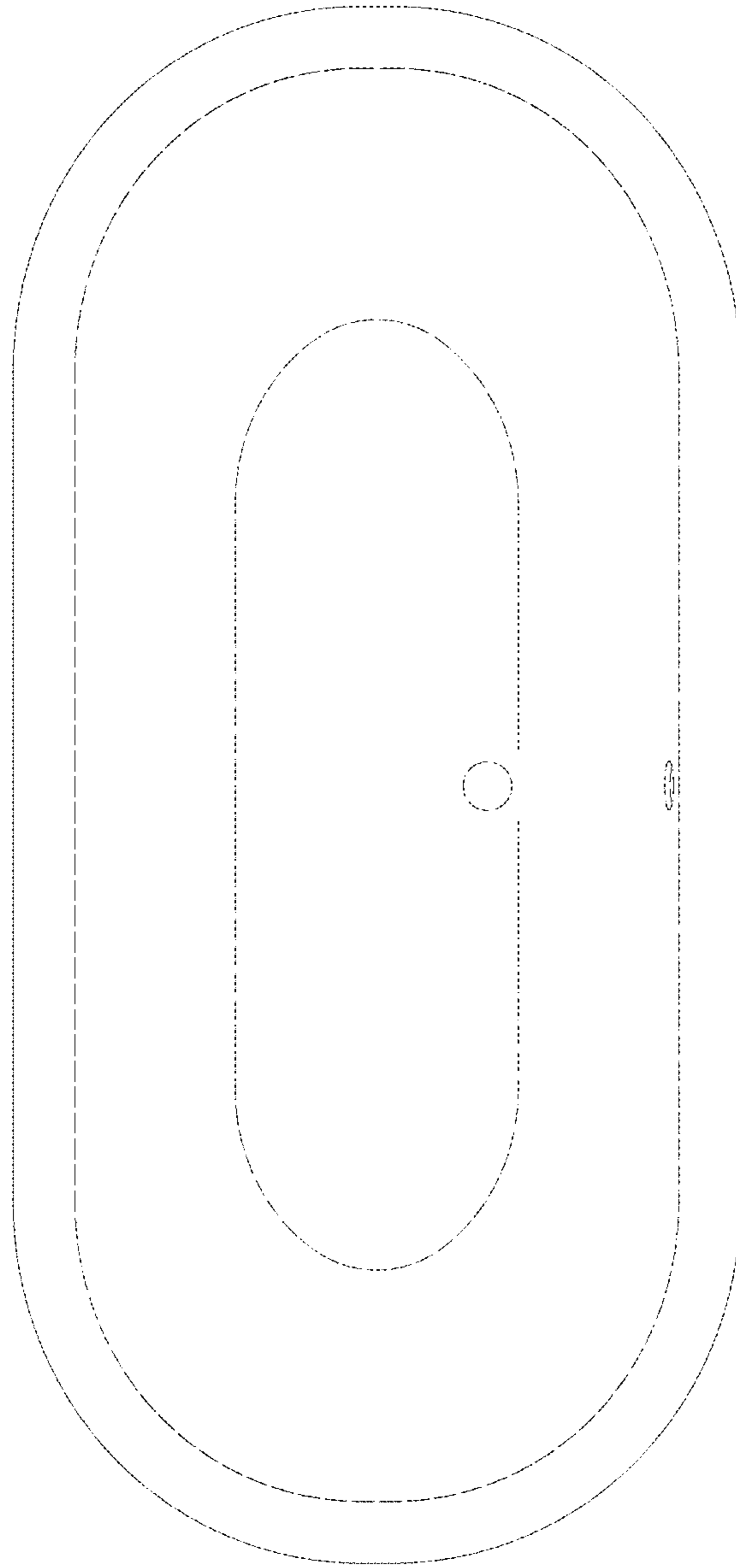


FIG. 5

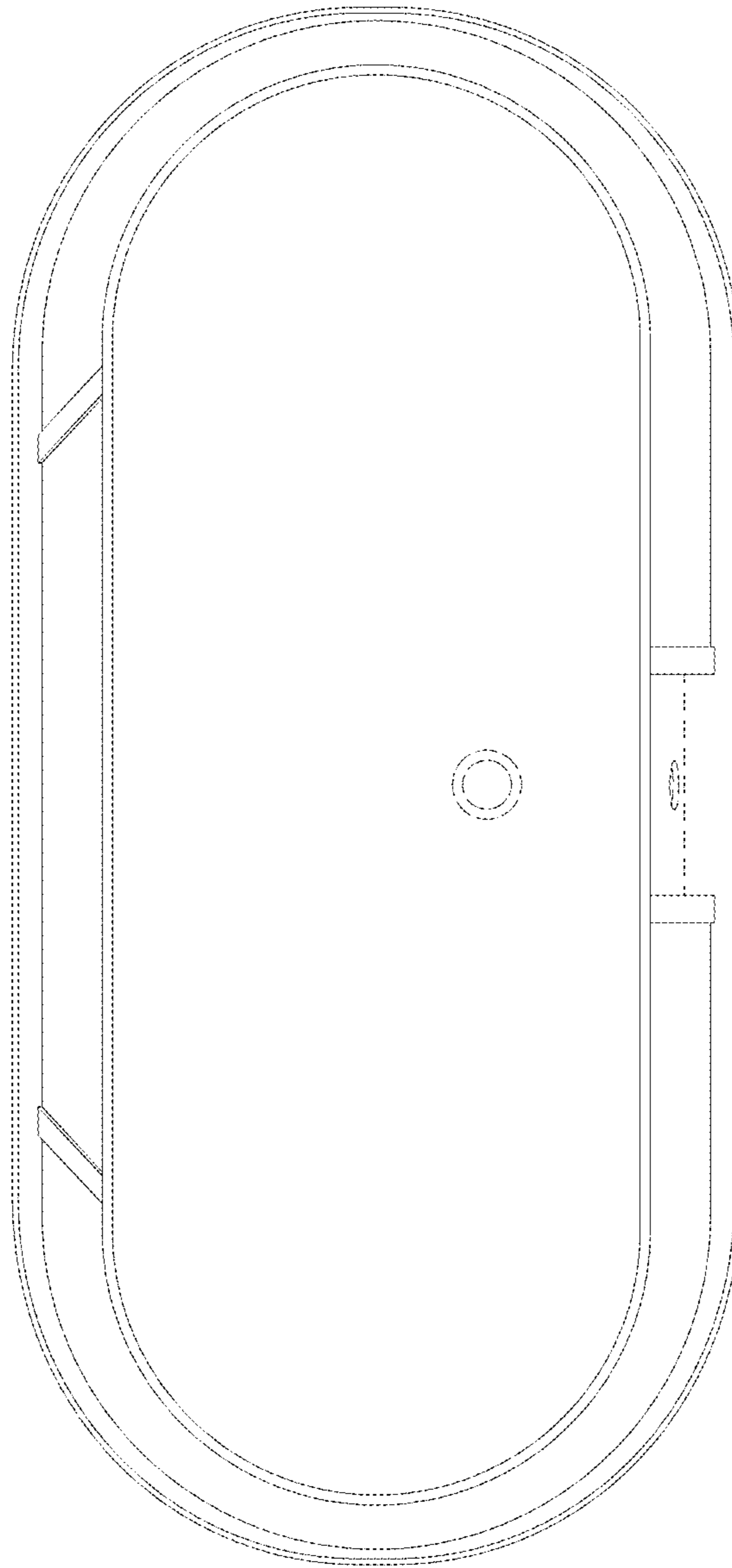


FIG. 6

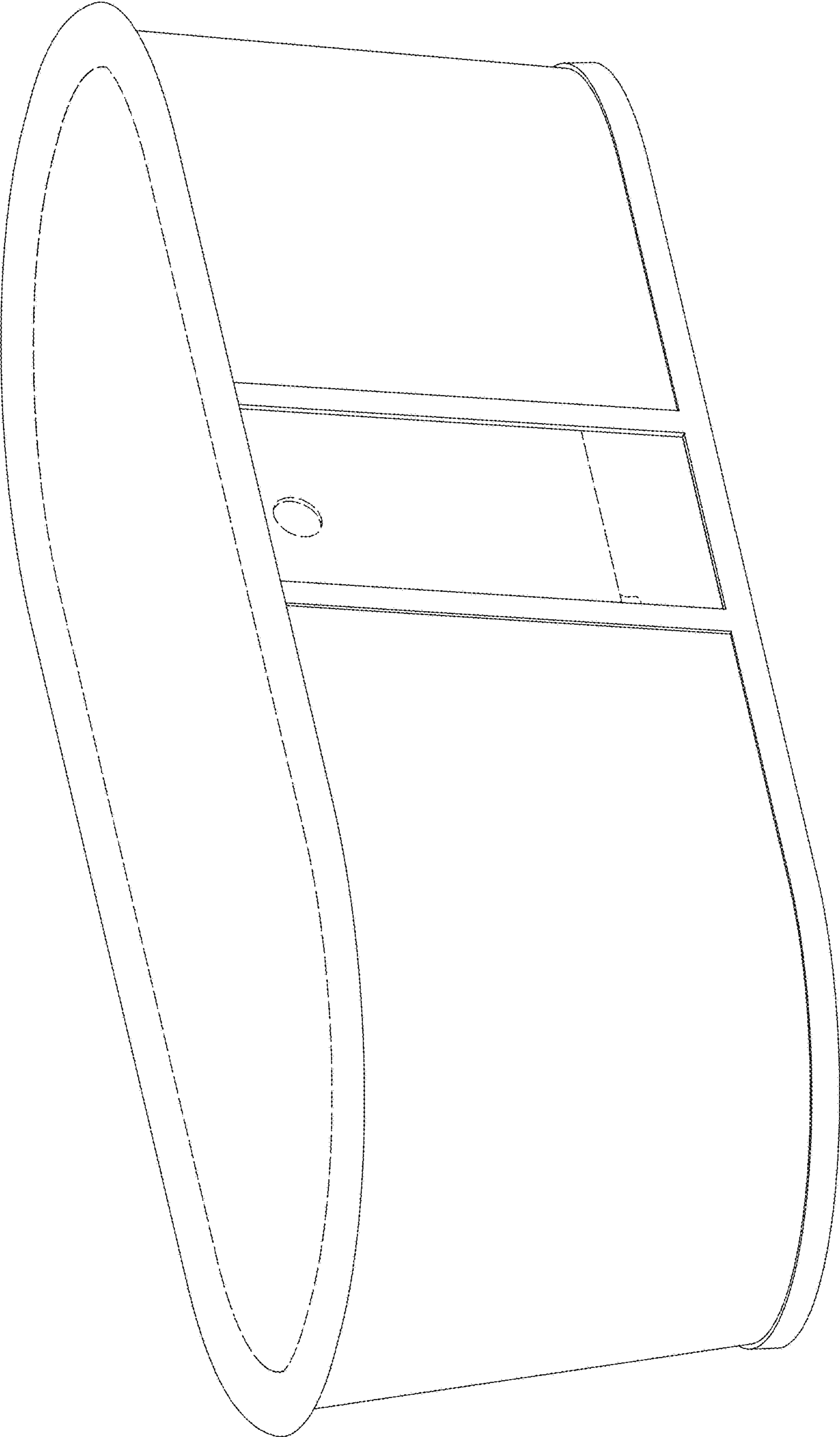


FIG. 7