

US00D782622S

(12) **United States Design Patent**
Dean

(10) **Patent No.:** **US D782,622 S**
(45) **Date of Patent:** **** Mar. 28, 2017**

(54) **CULVERT COUPLER**

(71) Applicant: **Osceola Machine Works & Manufacturing, Inc.**, Osceola, AR (US)

(72) Inventor: **Billy Wayne Dean**, Osceola, AR (US)

(**) Term: **14 Years**

(21) Appl. No.: **29/518,609**

(22) Filed: **Feb. 25, 2015**

(51) **LOC (10) Cl.** **23-01**

(52) **U.S. Cl.**
USPC **D23/262**

(58) **Field of Classification Search**
USPC D23/233-237, 249, 259-269, 393, 499;
D24/129; D13/149; D8/356, 382-383,
D8/394, 396-397, 399; D32/25
(Continued)

(56) **References Cited**

U.S. PATENT DOCUMENTS

- 5,145,217 A * 9/1992 Anderson D06F 58/20
285/144.1
- D481,108 S * 10/2003 Horikawa D23/263
(Continued)

Primary Examiner — Eric Goodman
Assistant Examiner — Amy Wierenga
(74) *Attorney, Agent, or Firm* — Joe D. Calhoun

(57) **CLAIM**

I claim the ornamental design of a culvert coupler, as shown and described.

DESCRIPTION

FIG. 1 is a perspective view of a first embodiment of a culvert coupler shown in a position within an unclaimed representative sample of a portion of culvert, and accommodating four screws (unclaimed).

FIG. 2 is a perspective view of the culvert coupler of FIG. 1, without the unclaimed culvert or screws.

FIG. 3 is a top plan view of the culvert coupler of FIG. 2. FIG. 4 is a bottom plan view of the culvert coupler of FIG. 2.

FIG. 5 is a front elevation view of the culvert coupler of FIG. 2.

FIG. 6 is a rear elevation view of the culvert coupler of FIG. 2, with the unclaimed anchor plate removed.

FIG. 7 is a left side elevation view of the culvert coupler of FIG. 2.

FIG. 8 is a right side elevation view of the culvert coupler of FIG. 2.

FIG. 9 is a perspective view of a second embodiment of a culvert coupler shown in a position within an unclaimed representative sample of a portion of culvert, and accommodating eight screws (unclaimed).

FIG. 10 is a perspective view of a culvert coupler of FIG. 9, without the unclaimed culvert or screws.

FIG. 11 is a top plan view of the culvert coupler of FIG. 10. FIG. 12 is a bottom plan view of the culvert coupler of FIG. 10.

FIG. 13 is a front elevation view of the culvert coupler of FIG. 10.

FIG. 14 is a rear elevation view of the culvert coupler of FIG. 10, with the unclaimed anchor plate removed.

FIG. 15 is a left side elevation view of the culvert coupler of FIG. 10.

FIG. 16 is a right side elevation view of the culvert coupler of FIG. 10.

FIG. 17 is a perspective view of a third embodiment of a culvert coupler shown in a position within an unclaimed representative sample of a portion of culvert accommodating twelve screws (unclaimed).

FIG. 18 is a perspective view of a culvert coupler of FIG. 17, without the unclaimed culvert or screws.

FIG. 19 is a top plan view of the culvert coupler of FIG. 18. FIG. 20 is a bottom plan view of the culvert coupler of FIG. 18.

FIG. 21 is a front elevation view of the culvert coupler of FIG. 18.

FIG. 22 is a rear elevation view of the culvert coupler of FIG. 18, with the unclaimed anchor plate removed.

(Continued)

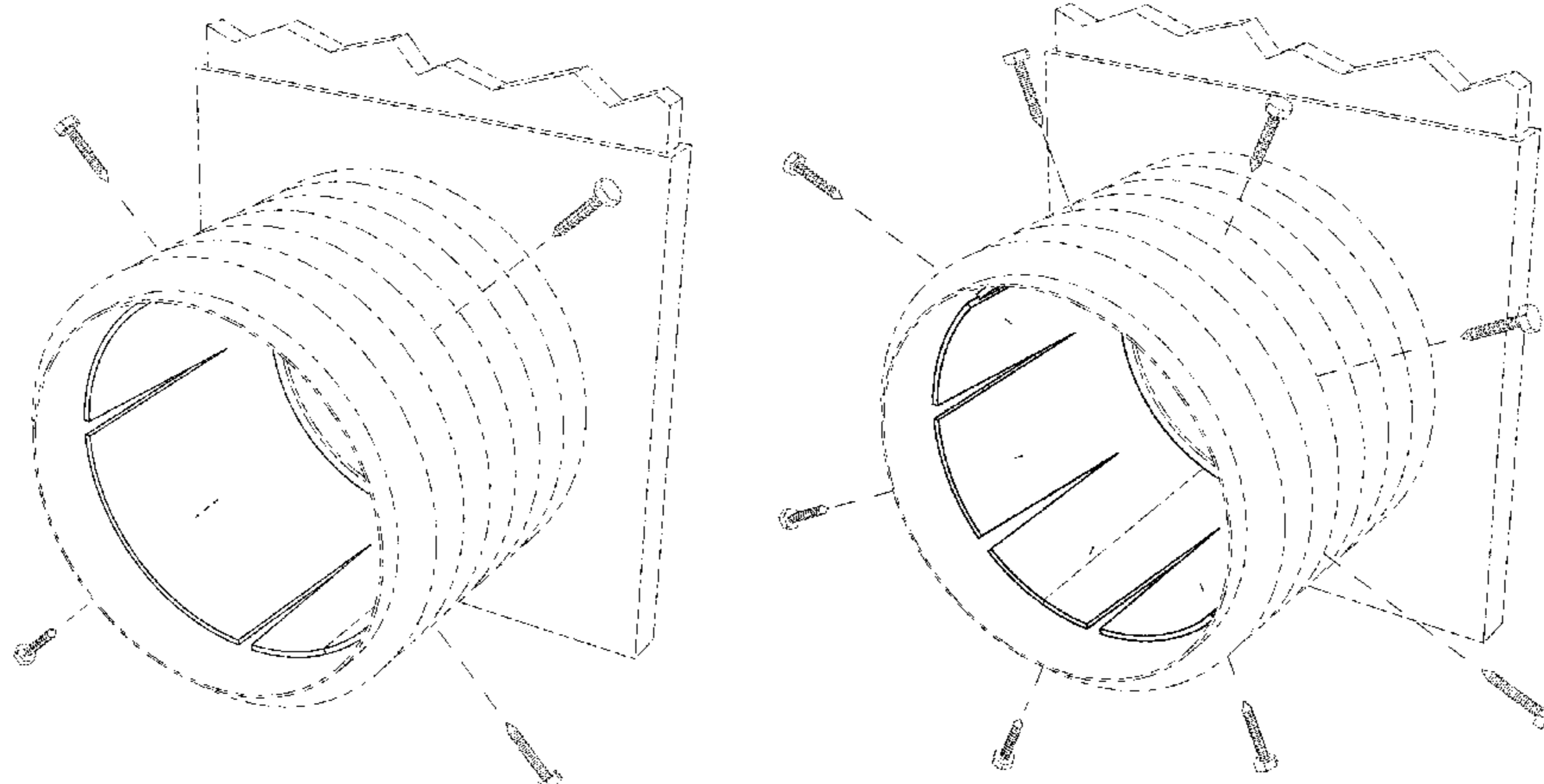


FIG. 23 is a left side elevation view of the culvert coupler of FIG. 18; and

FIG. 24 is a right side elevation view of the culvert coupler of FIG. 18.

The broken lines show material that does not form part of the claimed design.

1 Claim, 24 Drawing Sheets

(58) Field of Classification Search

CPC F16L 43/001; F16L 19/04; F16L 19/005;
 F16L 19/0218; F16L 55/1152; F16L
 27/04; F16L 27/073; F16L 25/14; E21B
 17/042; B29C 70/345; B29C 70/462;
 H01R 4/58; F16N 21/06; F16B 39/24;
 F16B 39/26; F16B 37/02; F16B 31/02;
 D06F 58/10; A62C 3/00

See application file for complete search history.

References Cited

U.S. PATENT DOCUMENTS

D488,852	S *	4/2004	Pampinella	D23/262
D565,707	S *	4/2008	Brockington	D23/262
D574,472	S *	8/2008	Kanao	D23/262
D608,865	S *	1/2010	Henry	D23/262
D609,789	S *	2/2010	Milnes	D23/262
D612,462	S *	3/2010	Shah	D23/262
D616,072	S *	5/2010	Henry	D23/262
D616,532	S *	5/2010	Madara	D23/262
D635,239	S *	3/2011	Liebson	D23/393
D710,485	S *	8/2014	Nudo	D23/262
D713,944	S *	9/2014	Luke	D23/262
D717,409	S *	11/2014	Buchanan	D23/262
2013/0026753	A1 *	1/2013	Flanery	F16L 25/14 285/322
2013/0324028	A1 *	12/2013	Sandman	F24F 13/10 454/333
2015/0240410	A1 *	8/2015	Tamburro	A62C 2/00 169/56

* cited by examiner

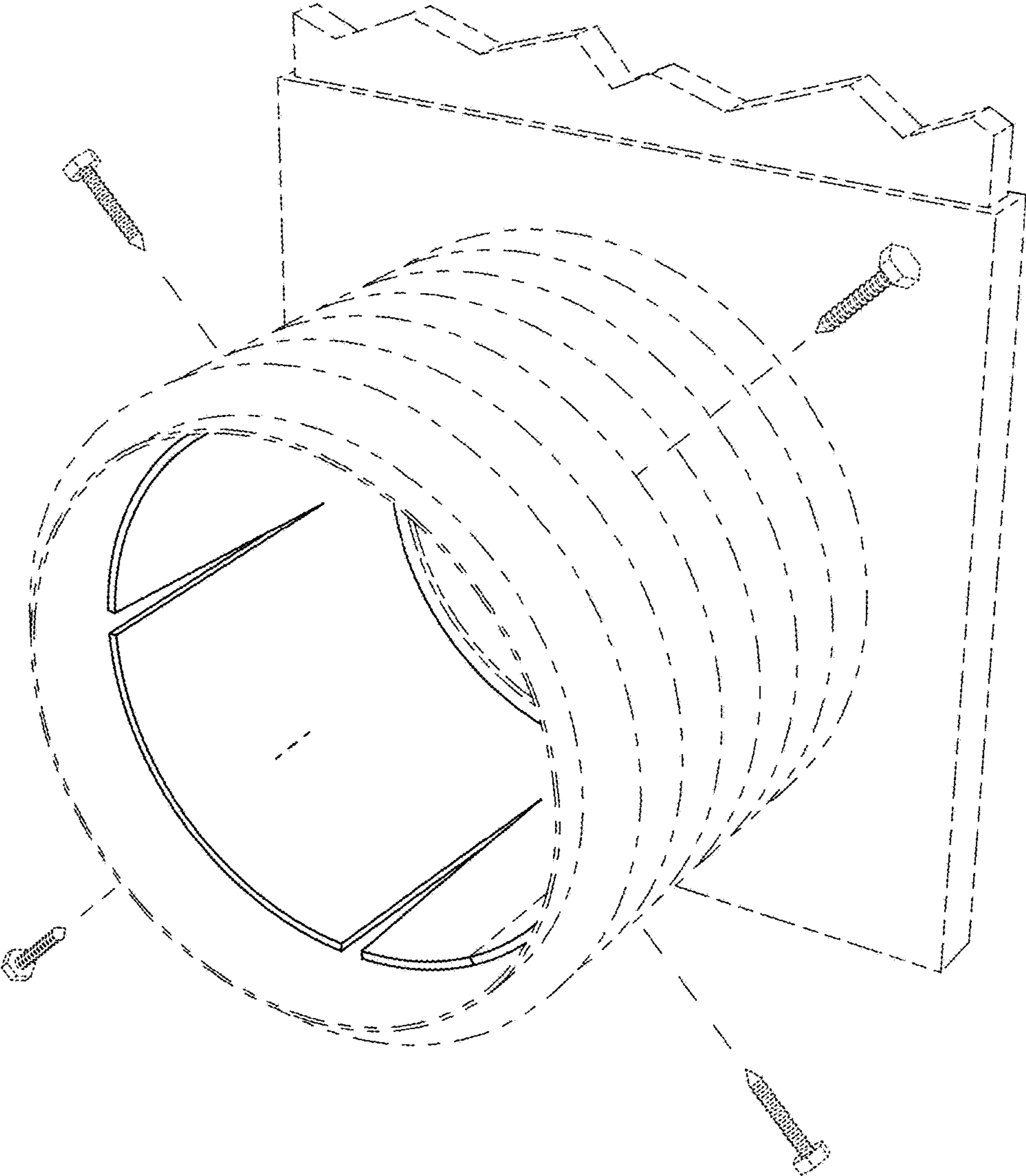


FIG. 1

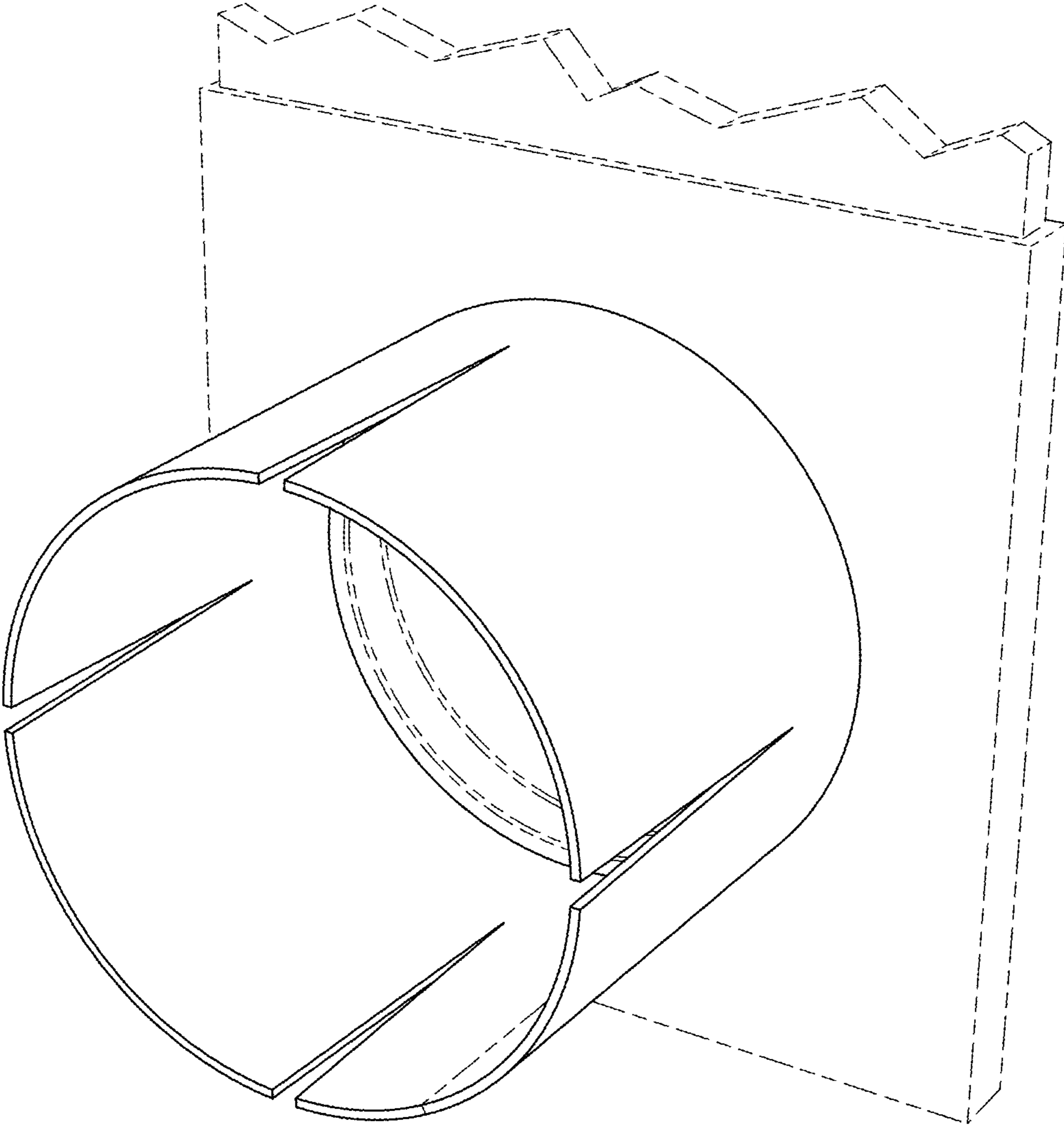


FIG. 2

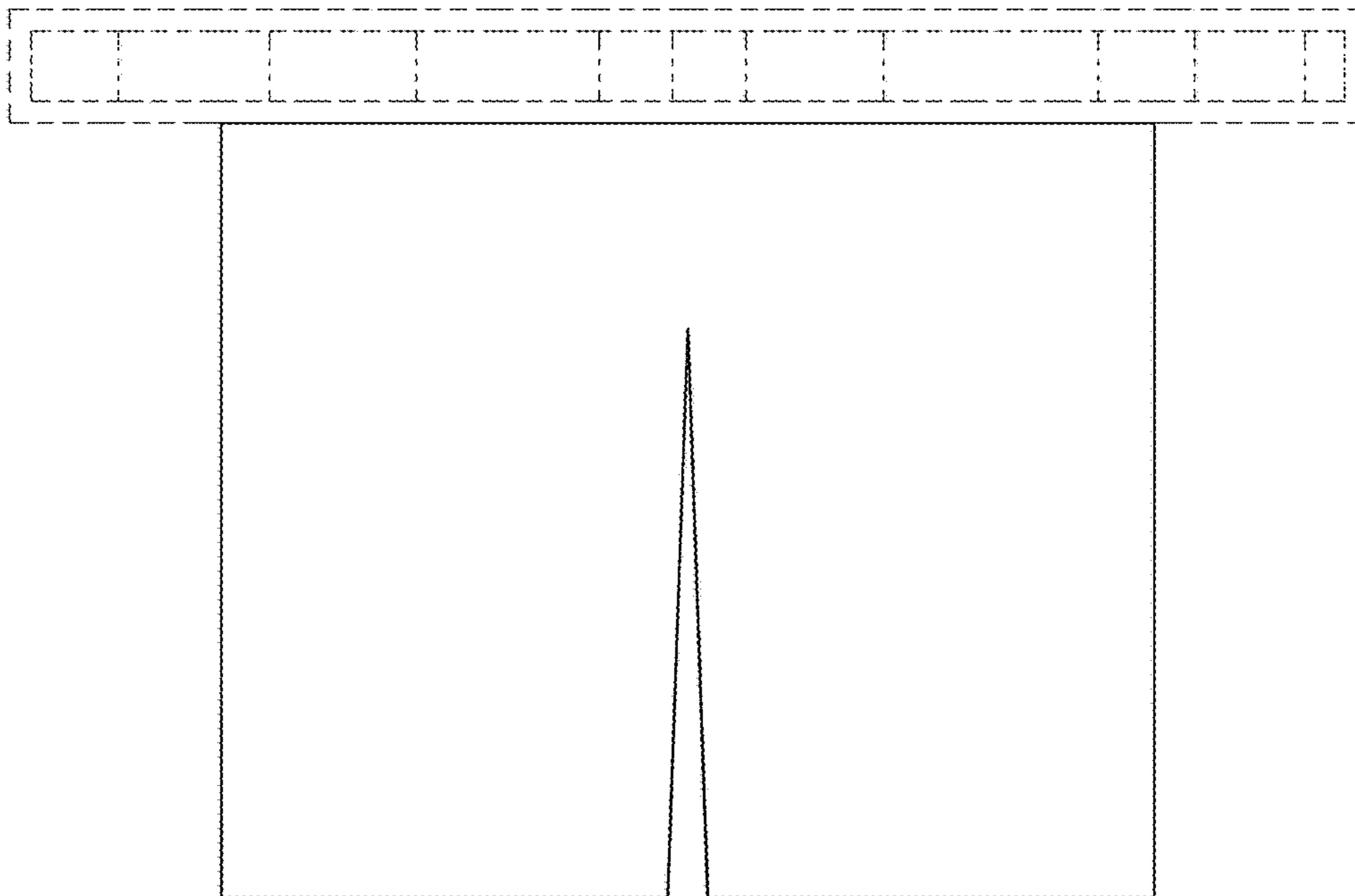


FIG. 3

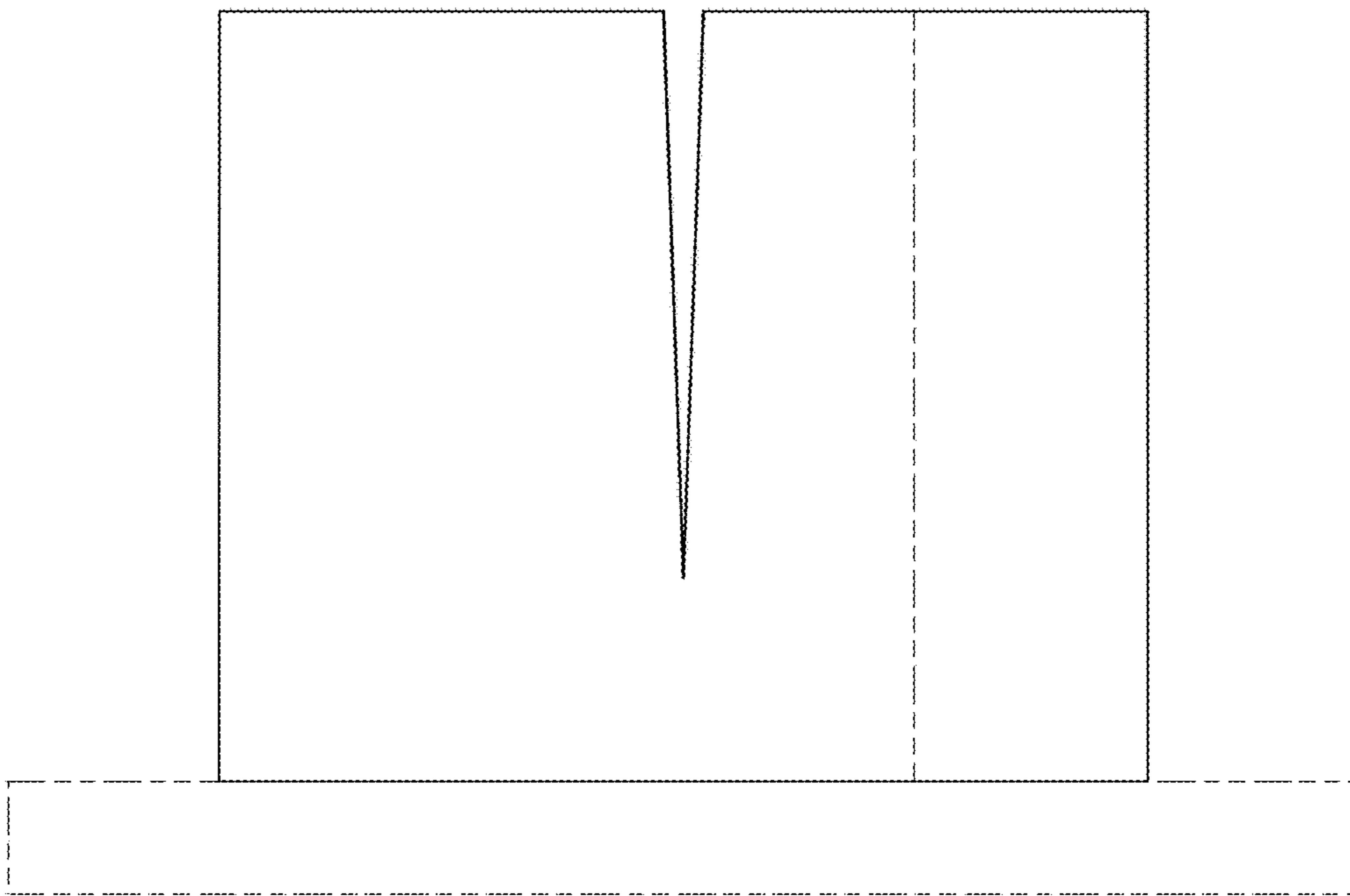


FIG. 4

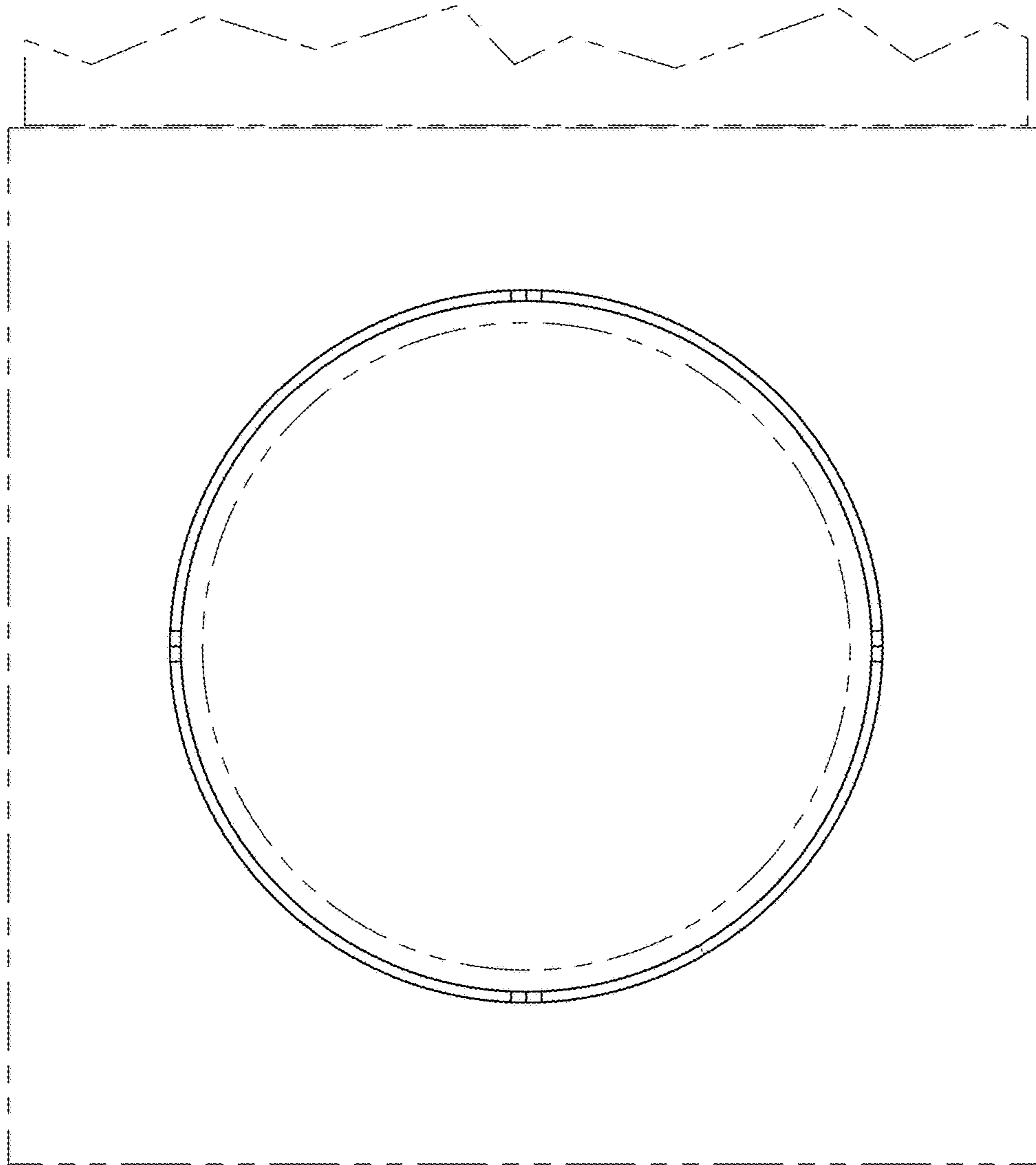


FIG. 5

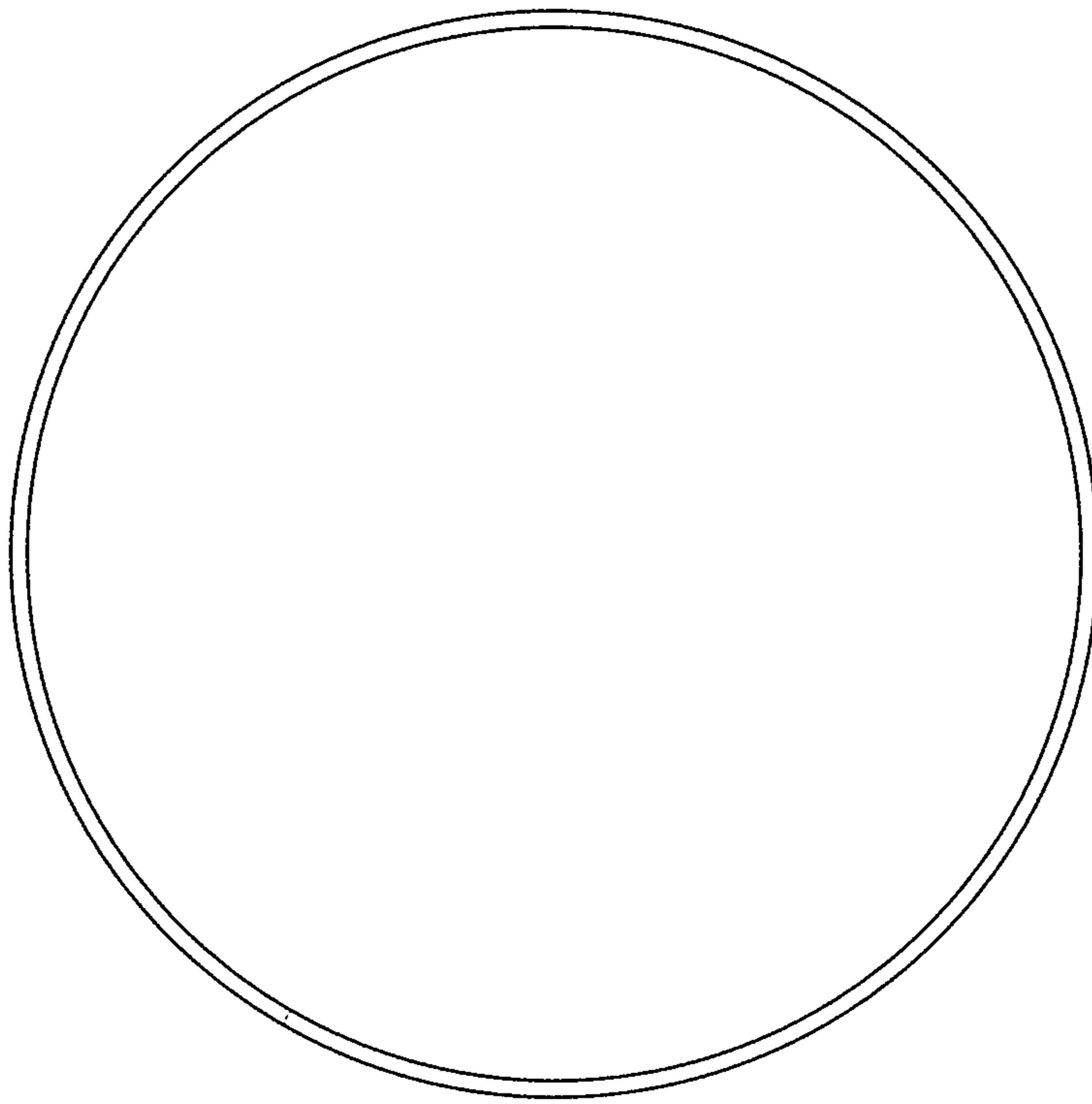


FIG. 6

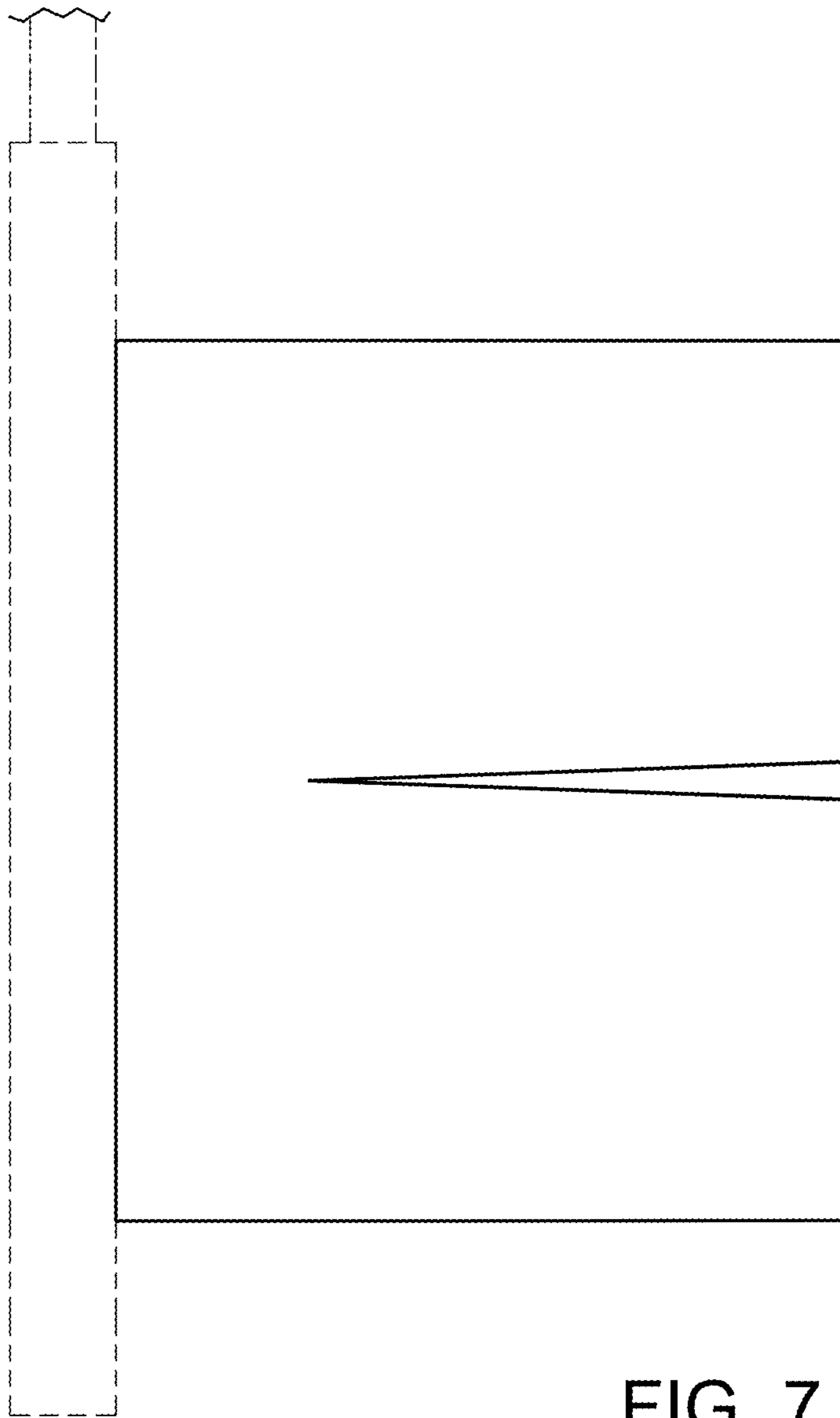


FIG. 7

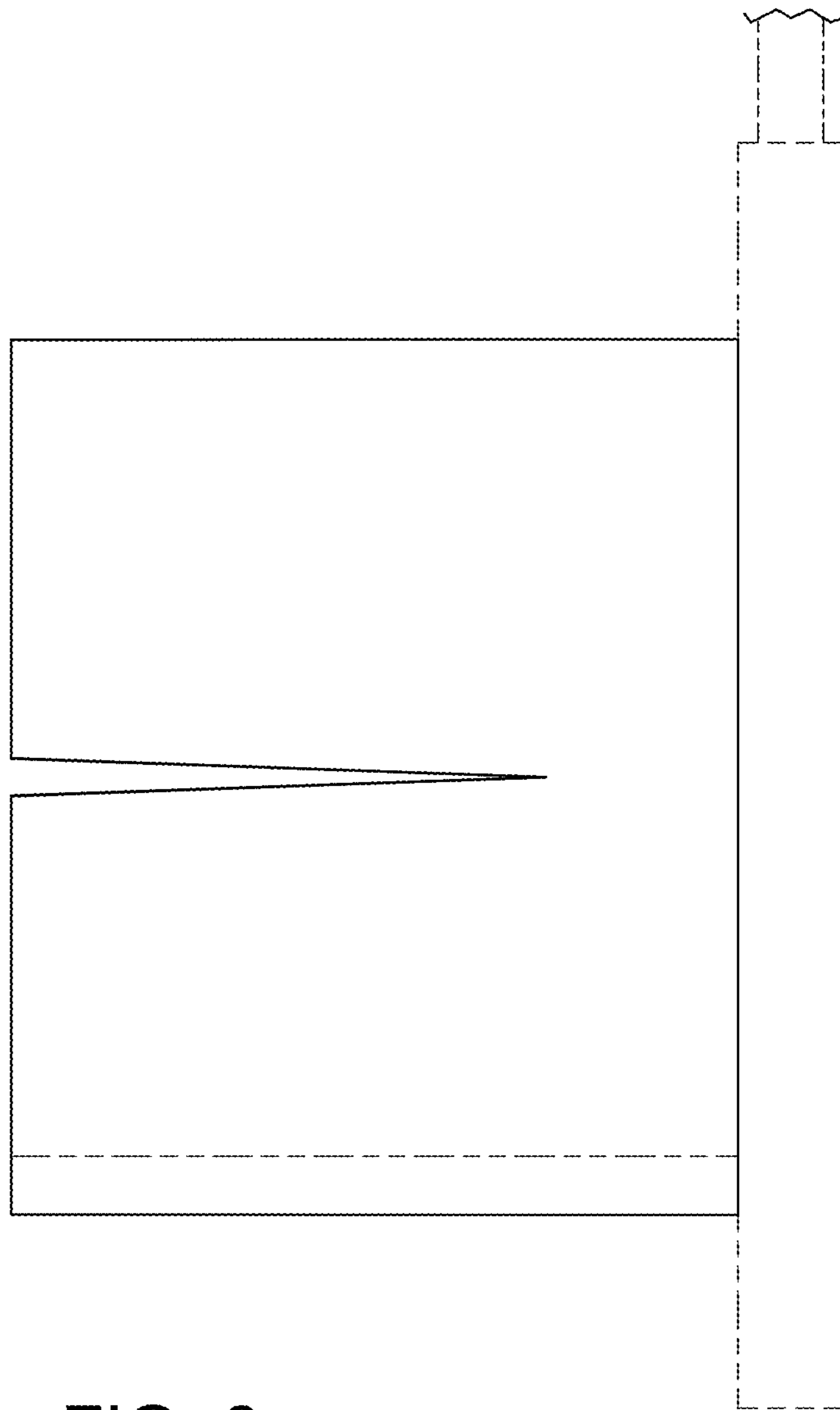


FIG. 8

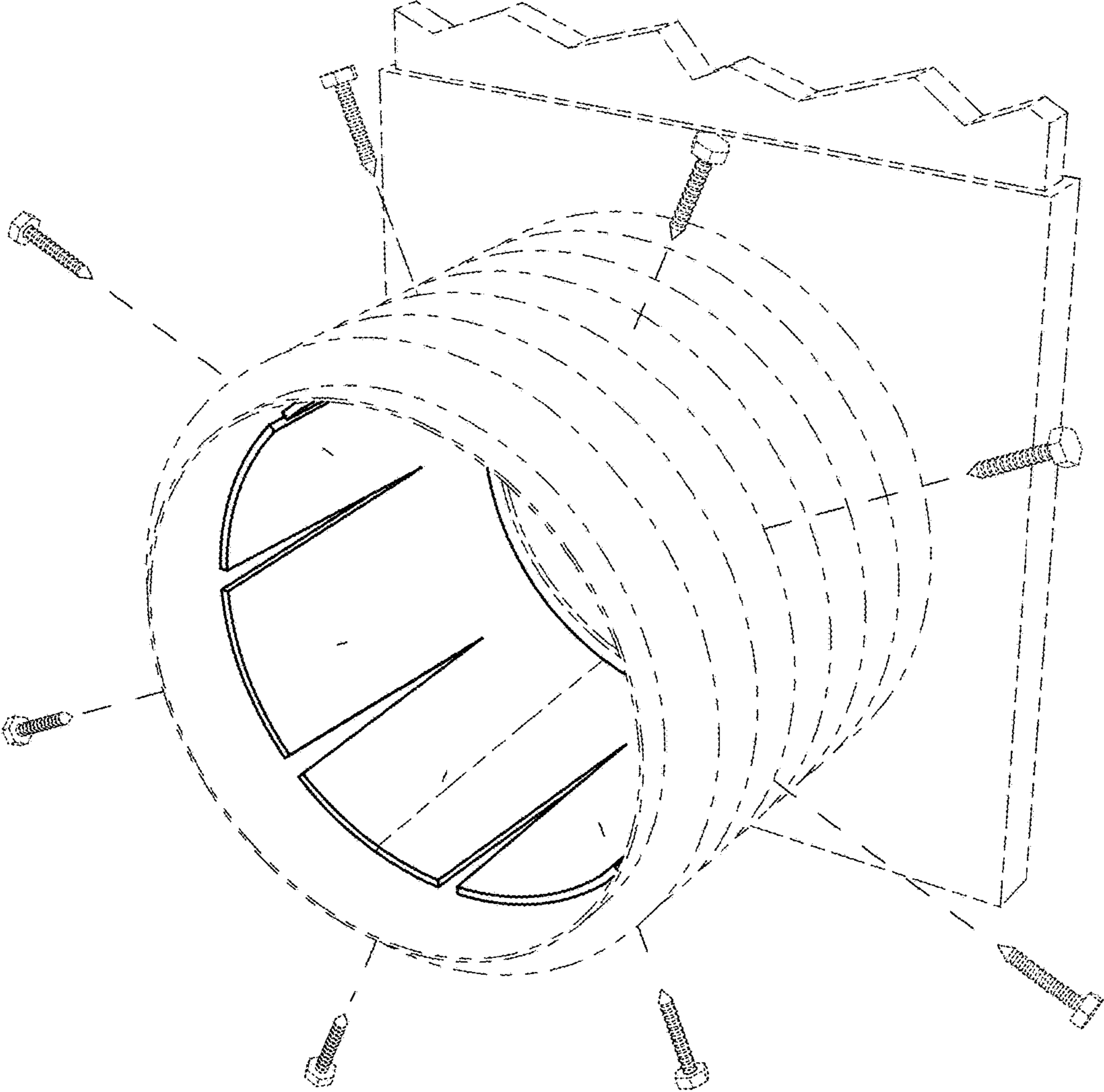


FIG. 9

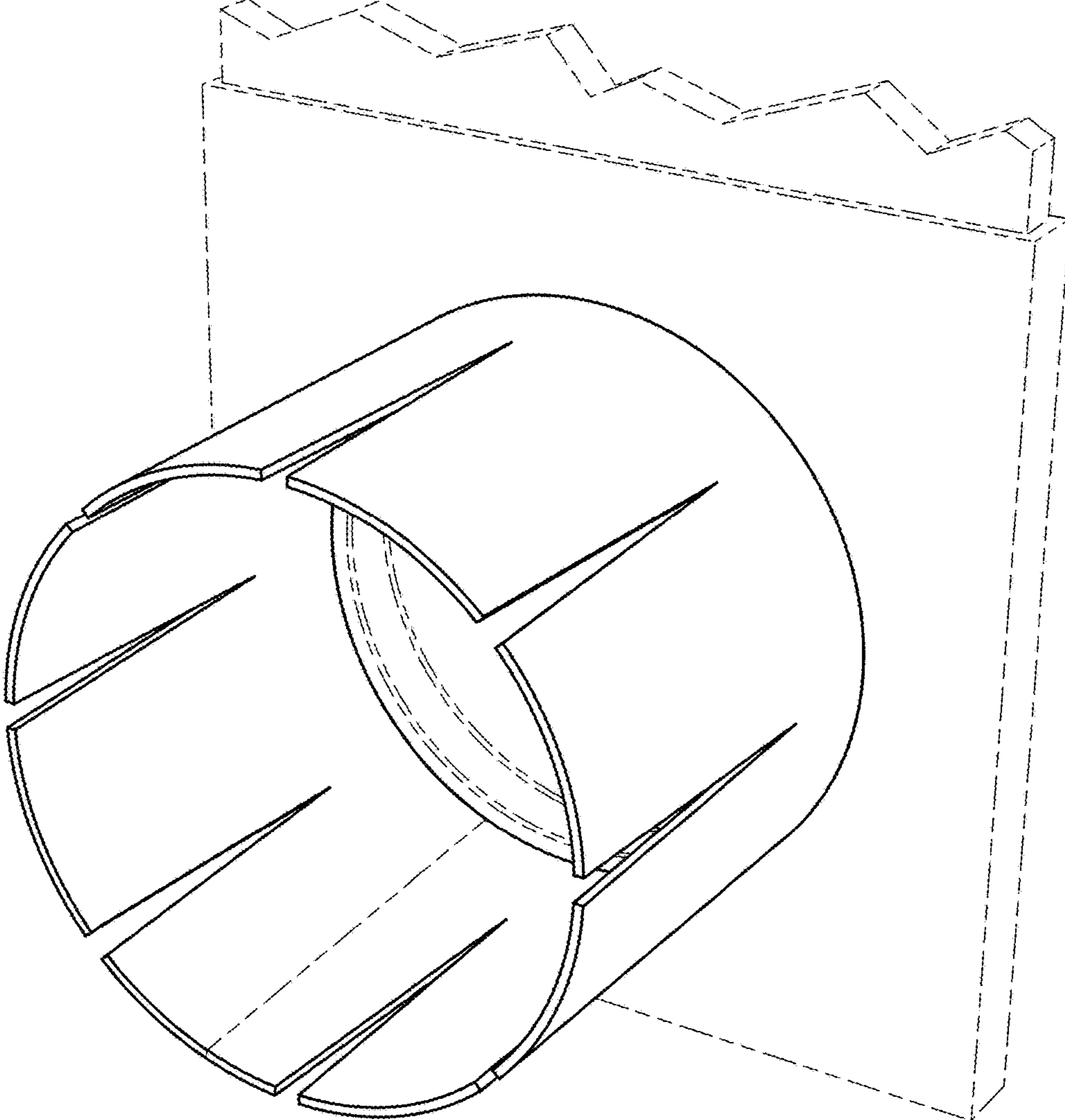


FIG. 10

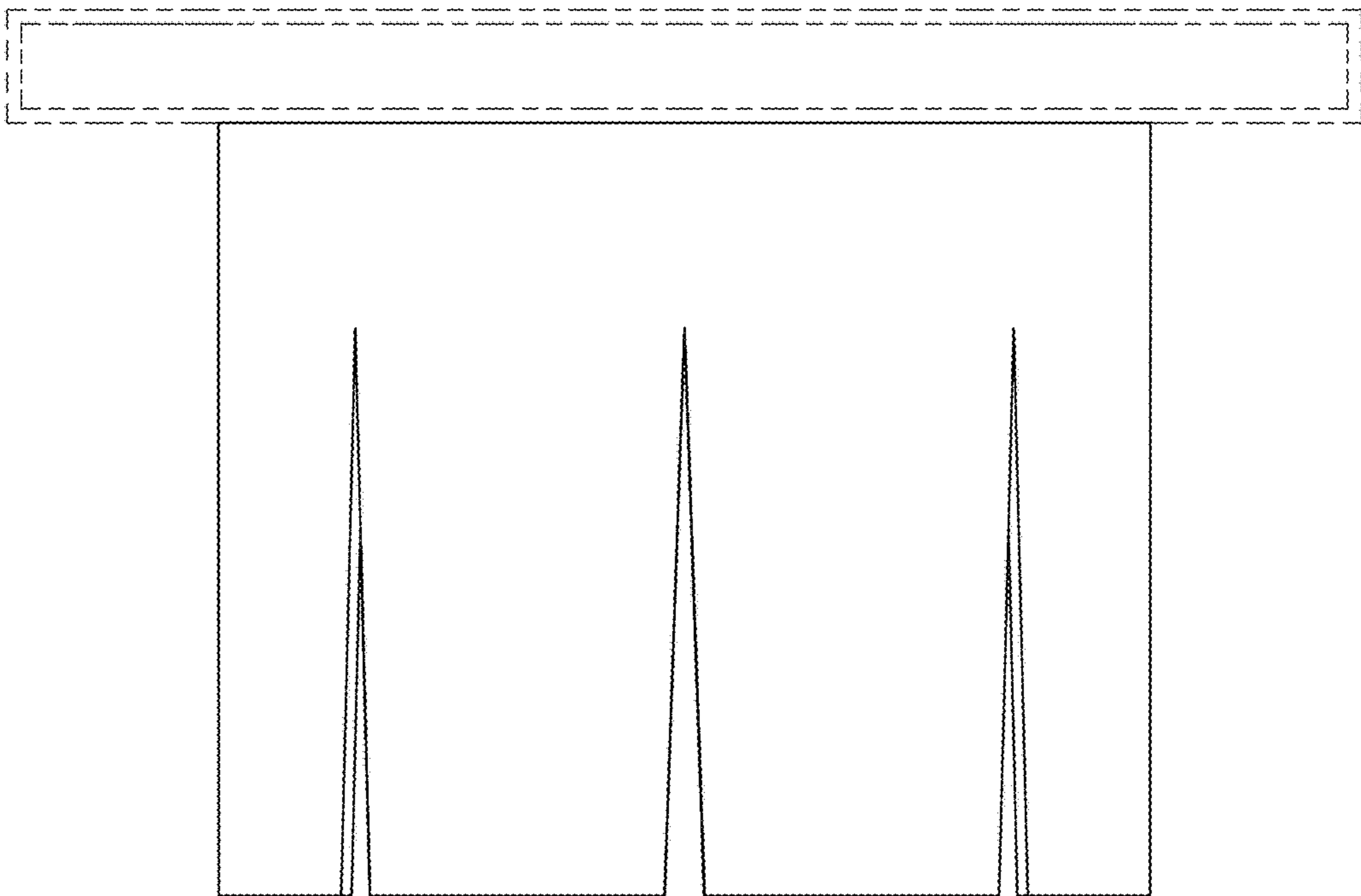


FIG. 11

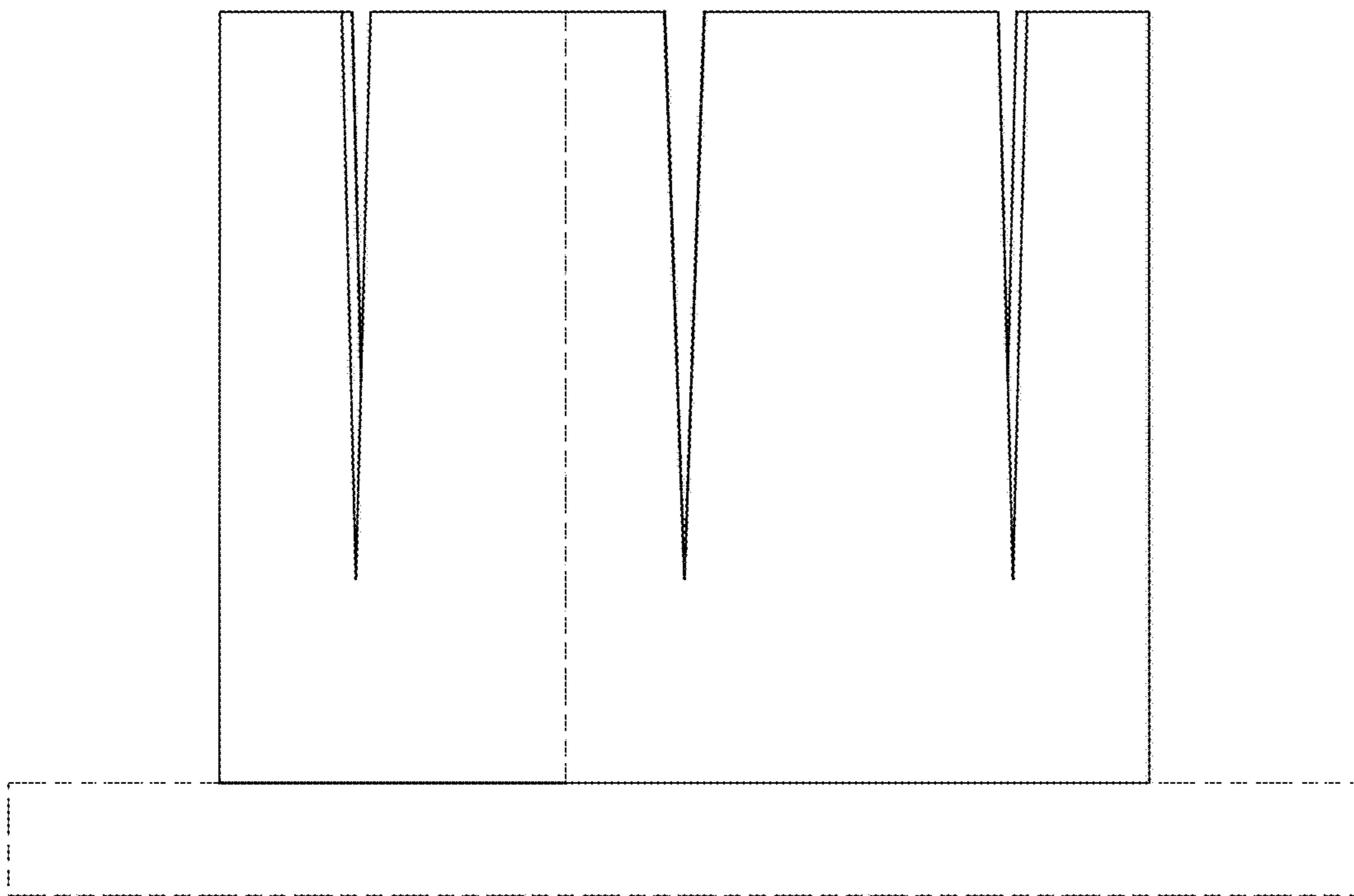


FIG. 12

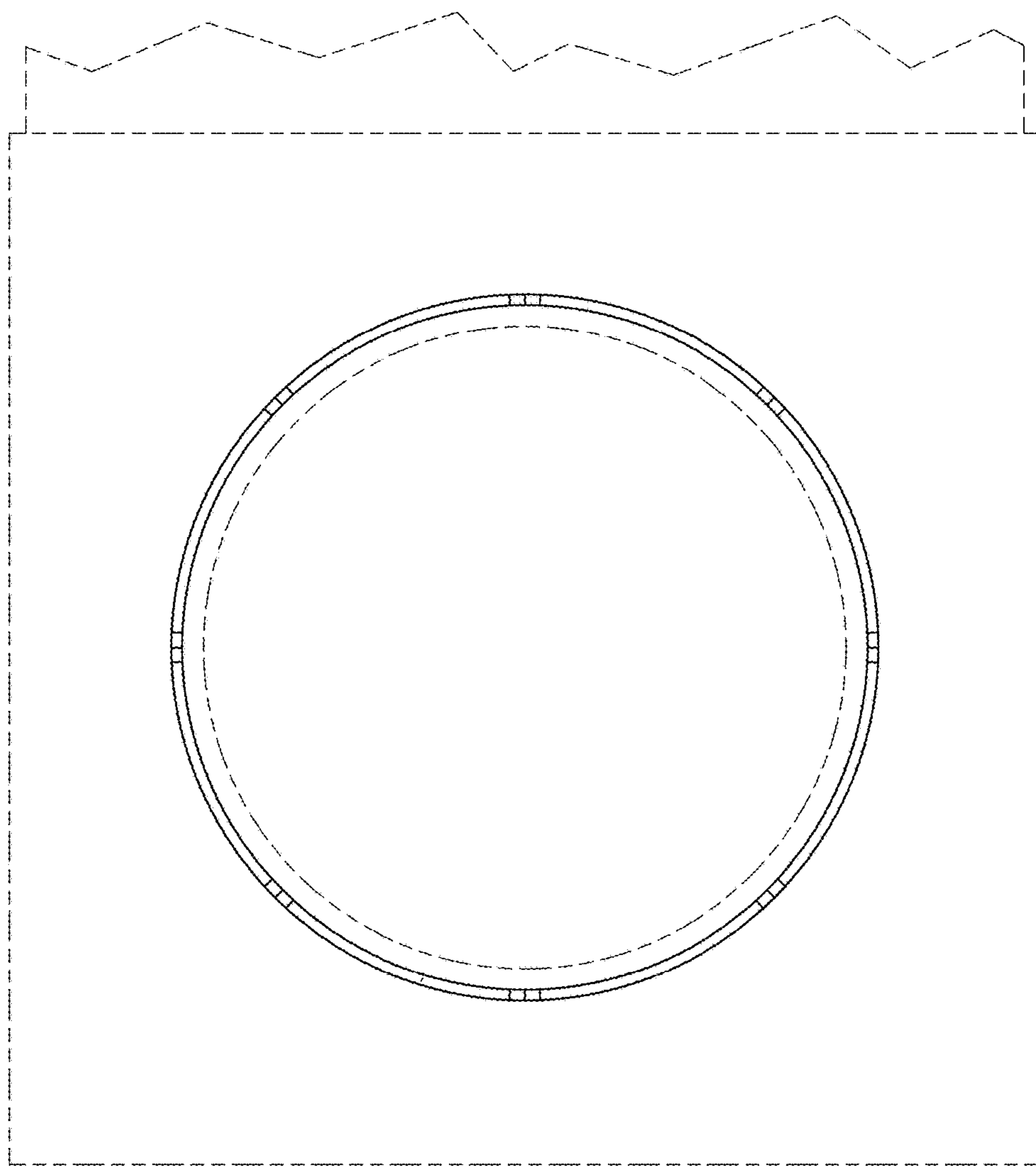


FIG. 13

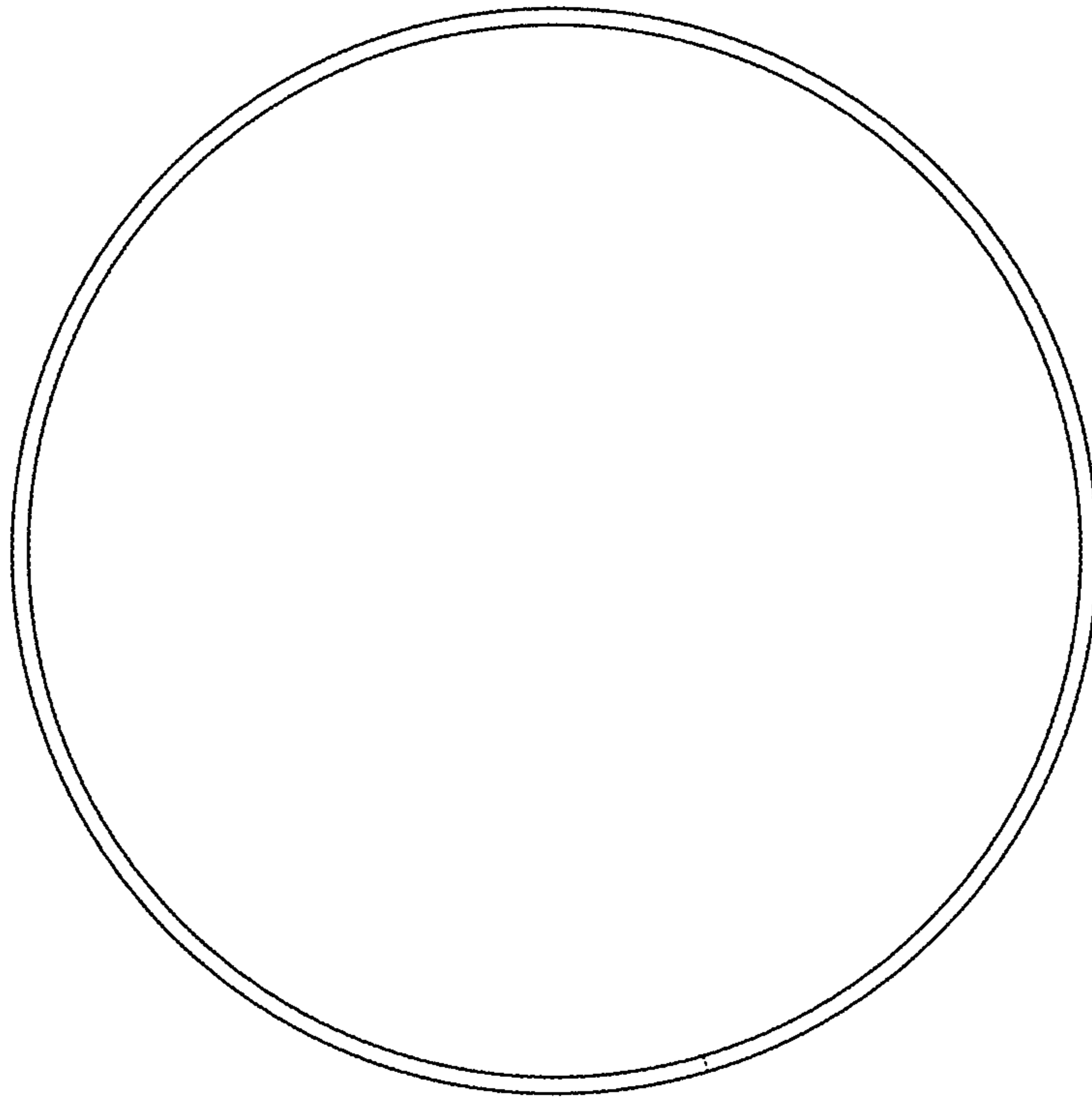


FIG. 14

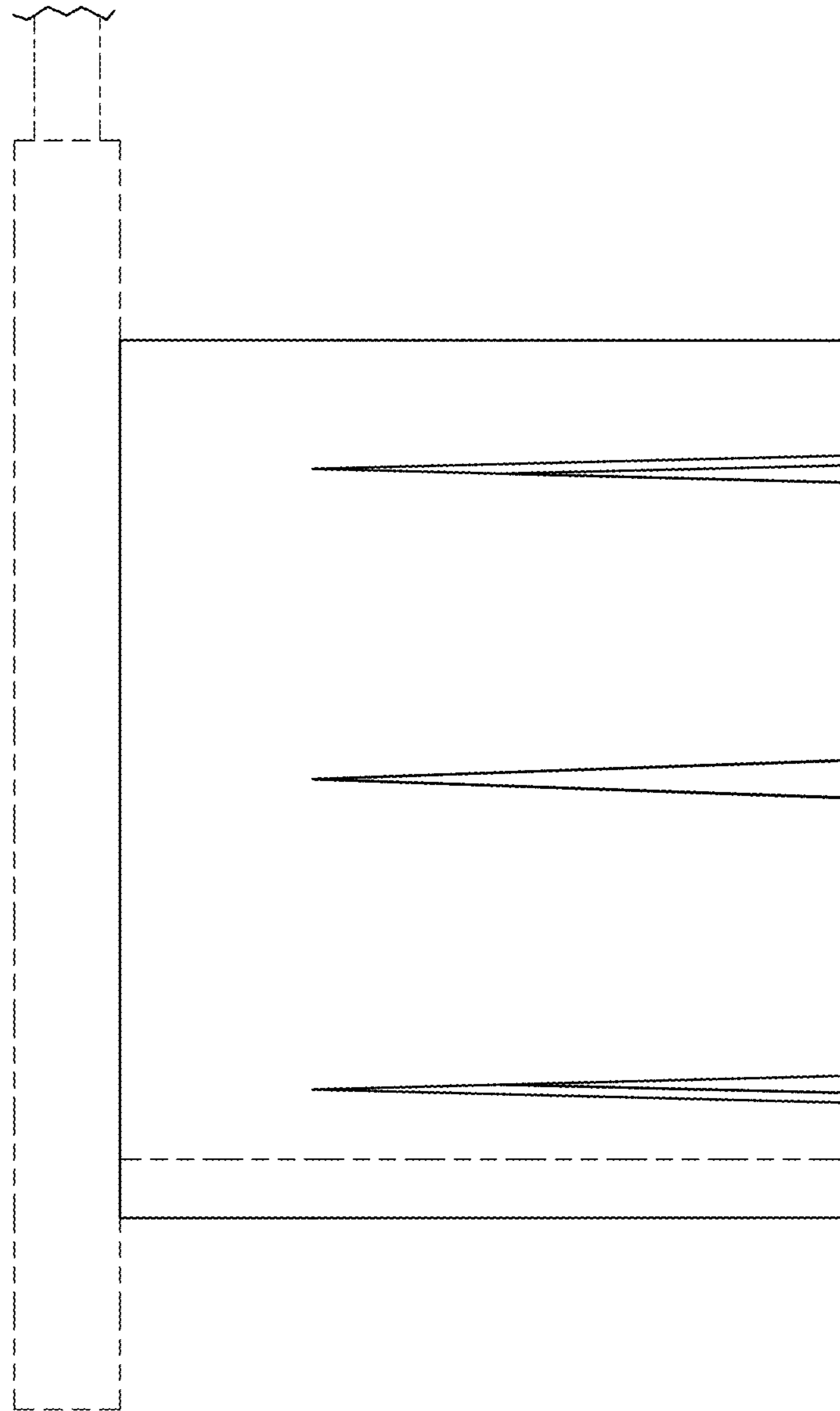


FIG. 15

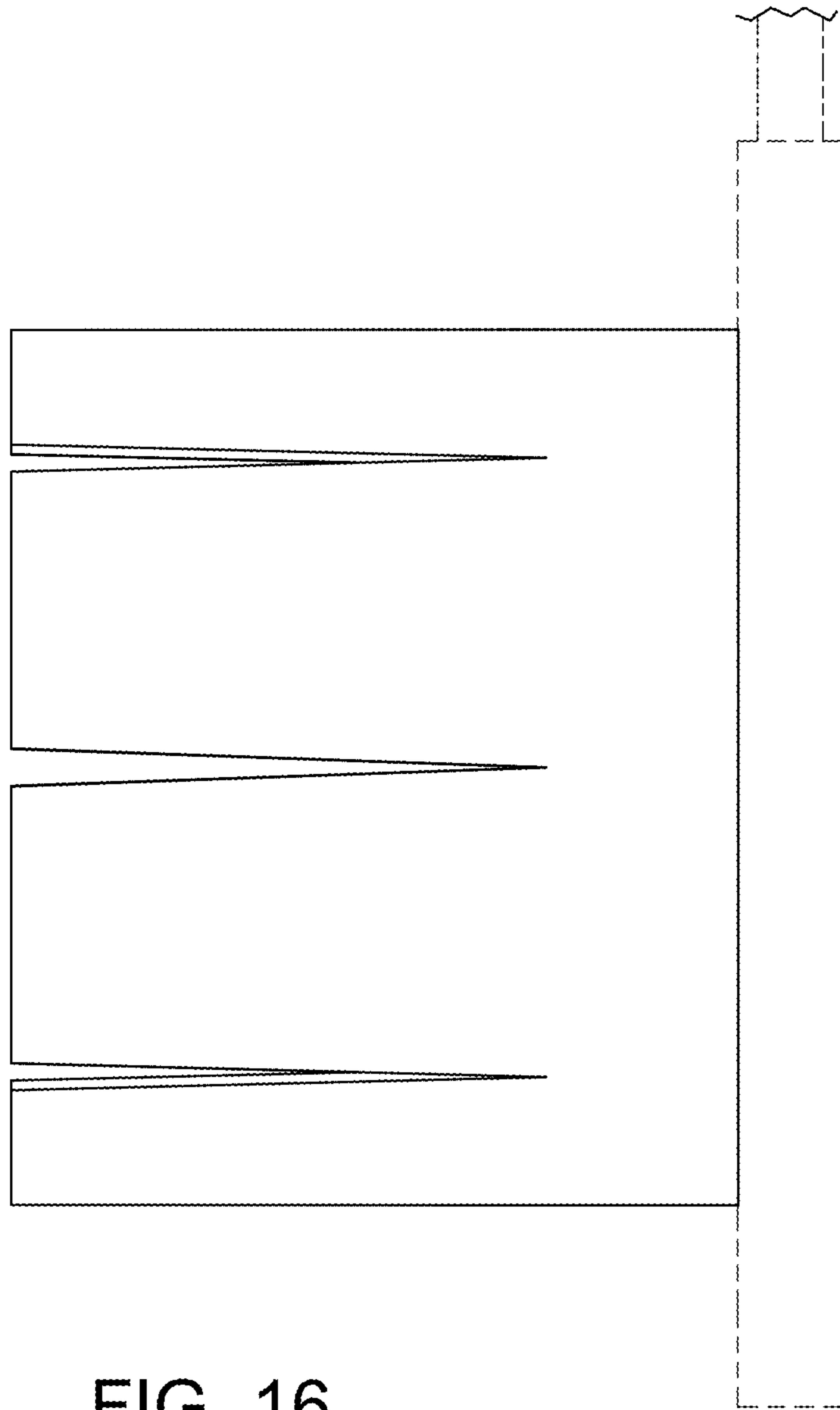


FIG. 16

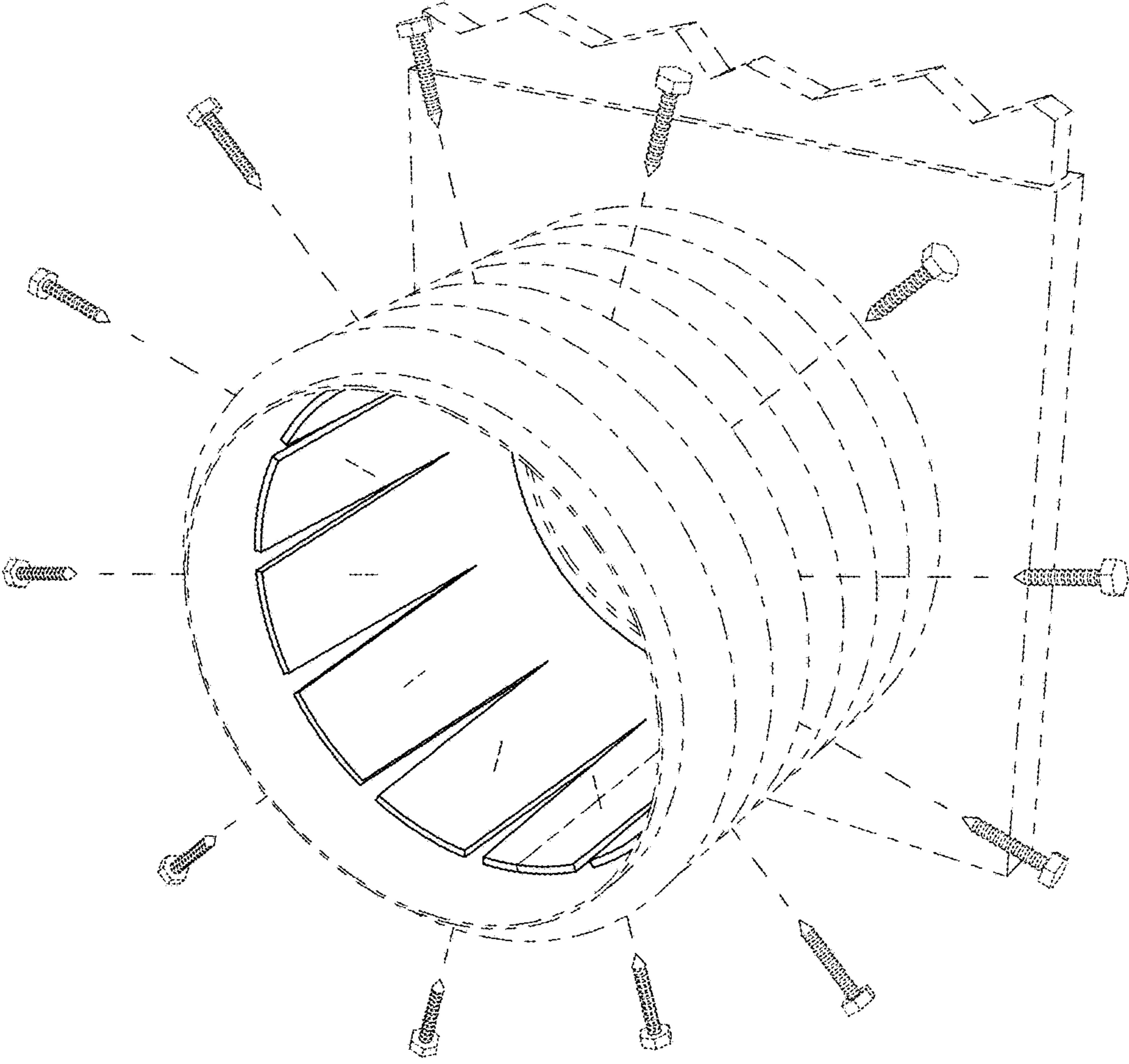


FIG. 17

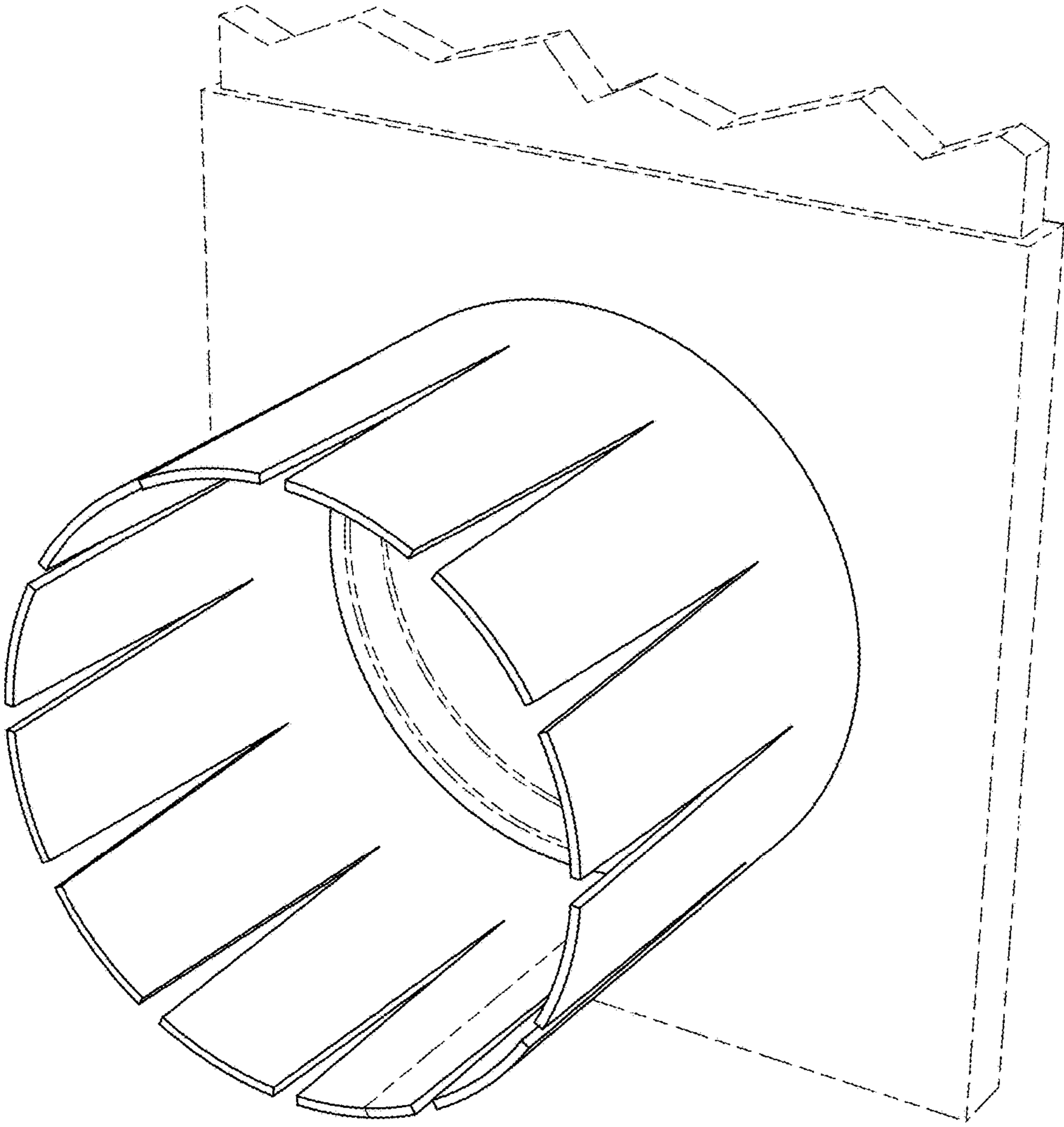


FIG. 18

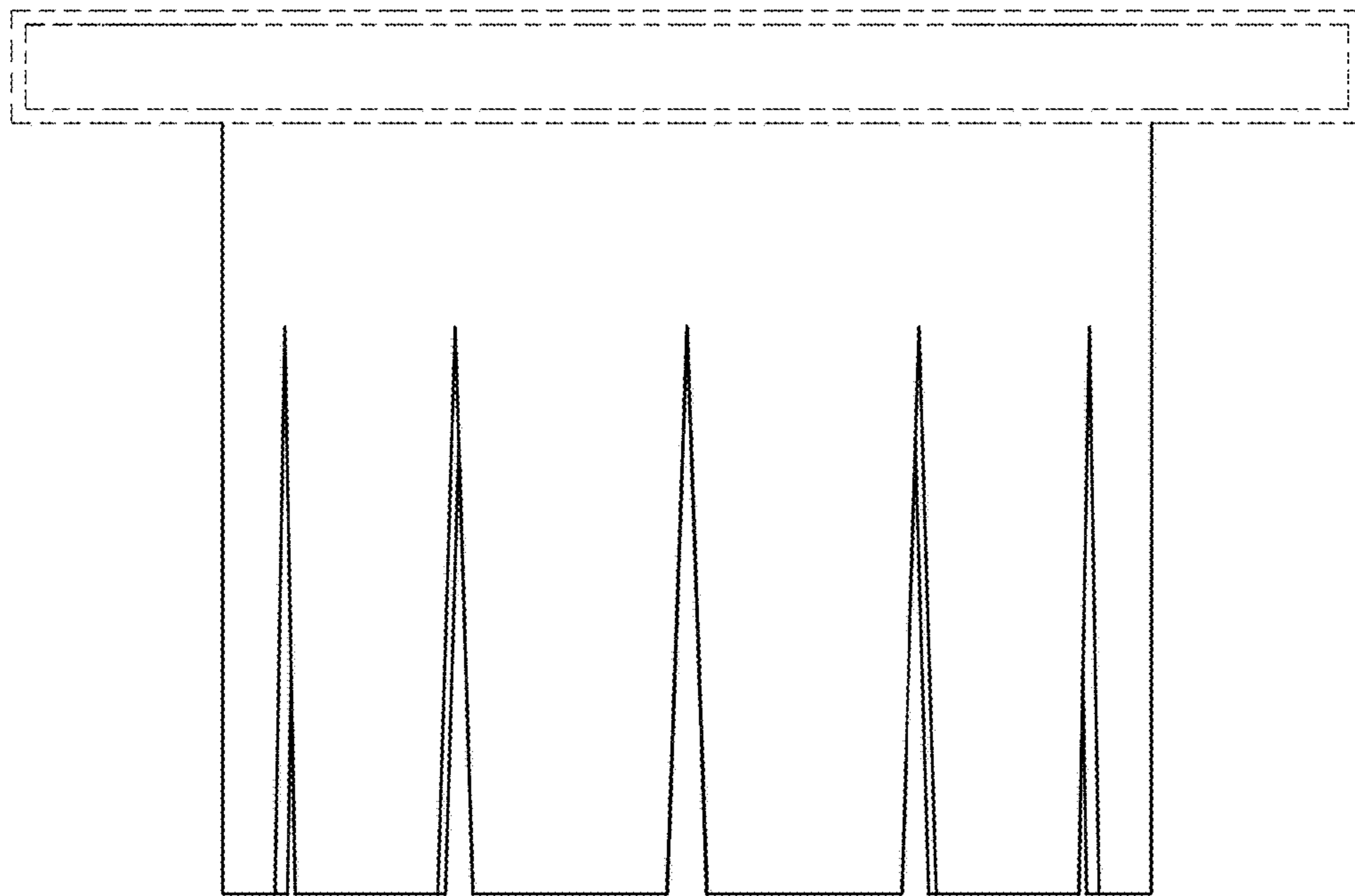


FIG. 19

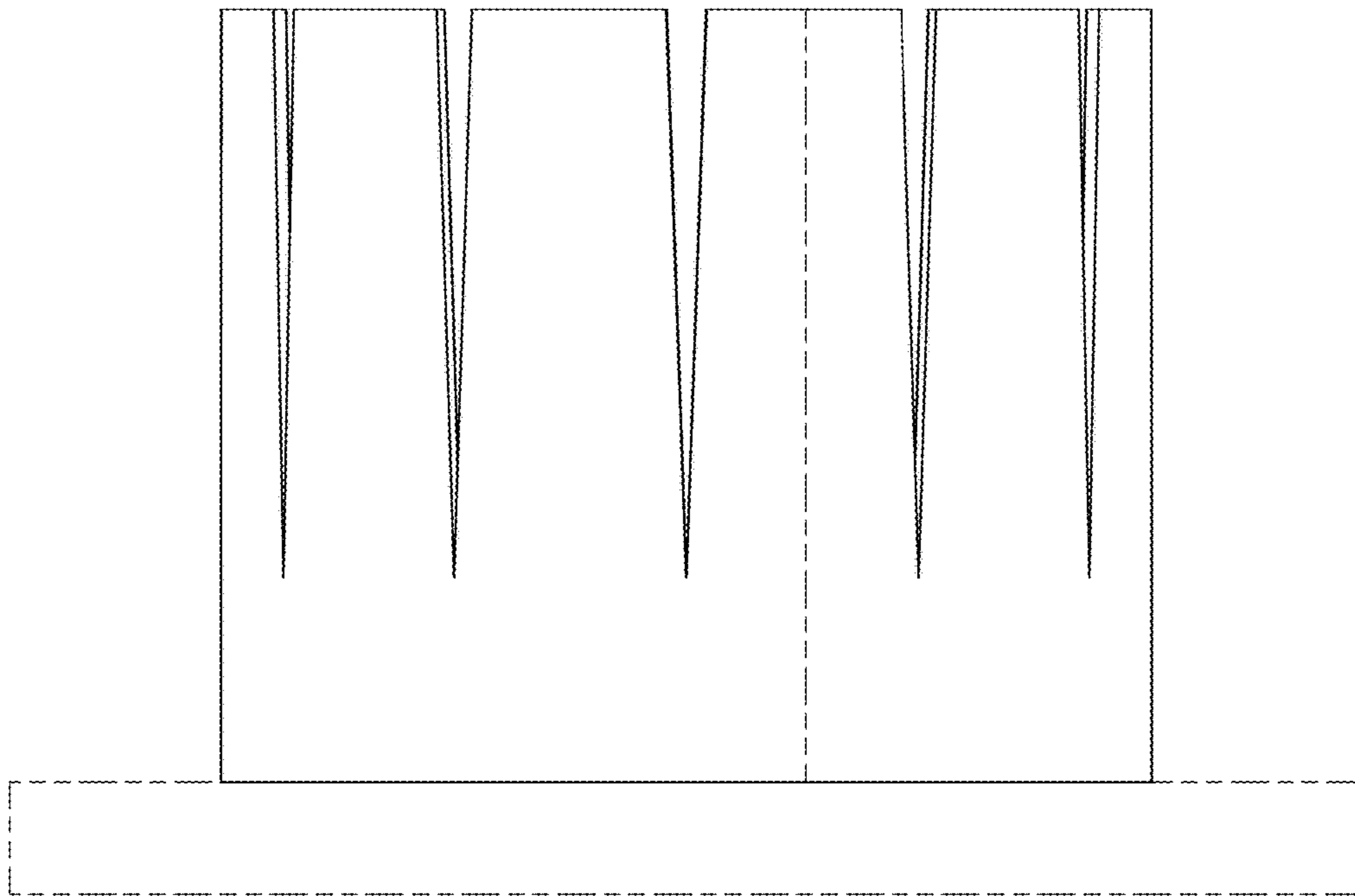


FIG. 20

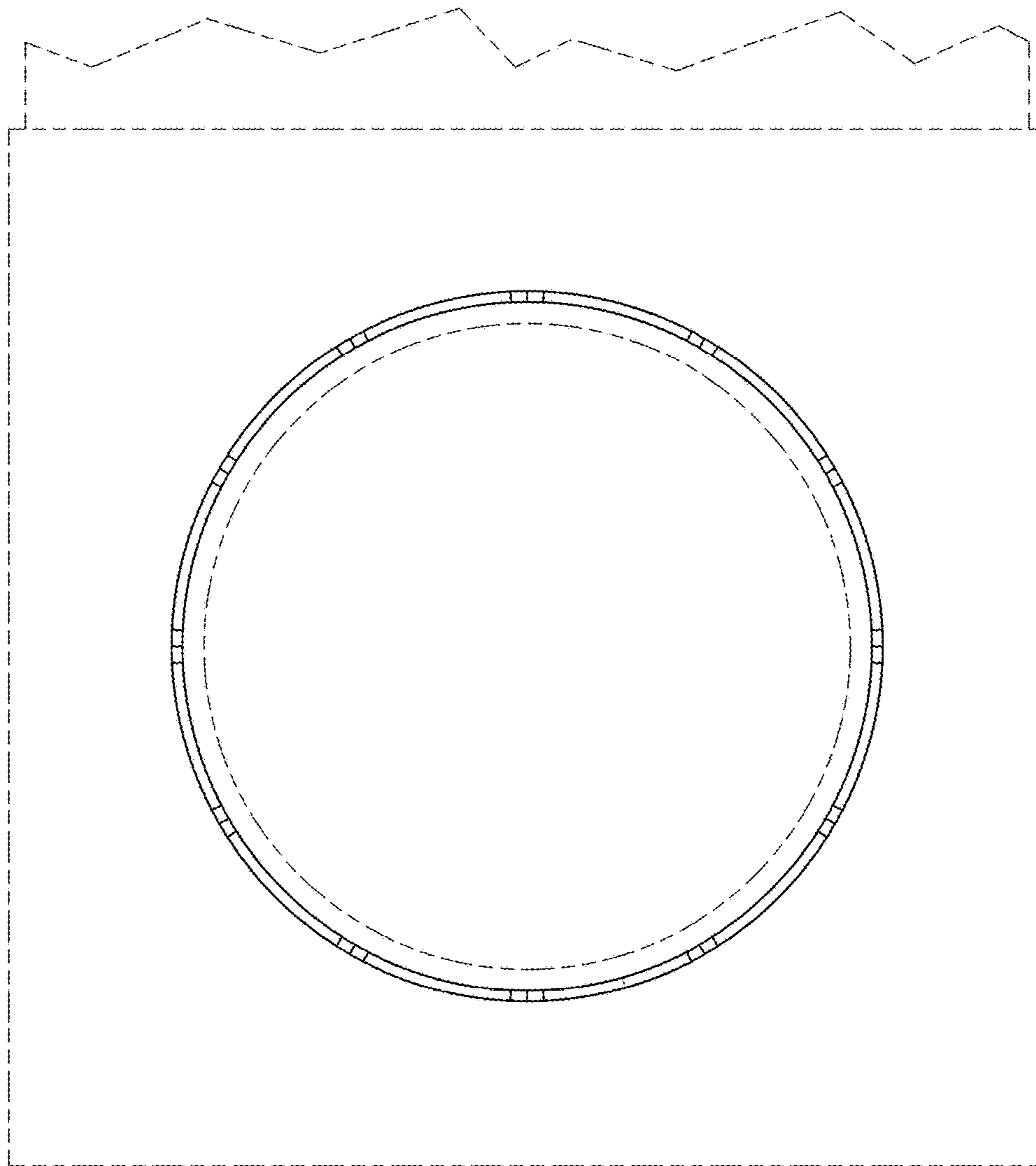


FIG. 21

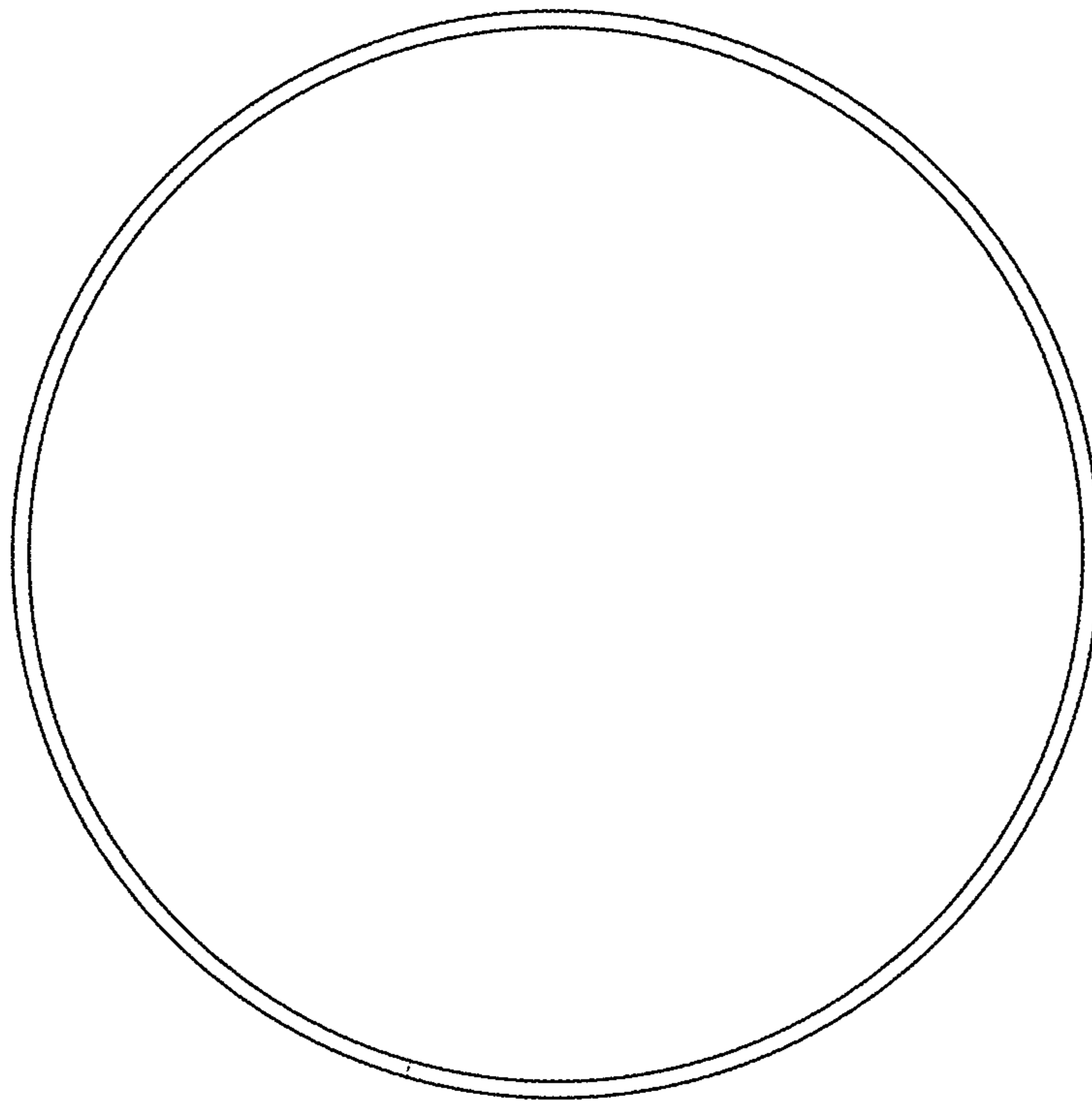


FIG. 22

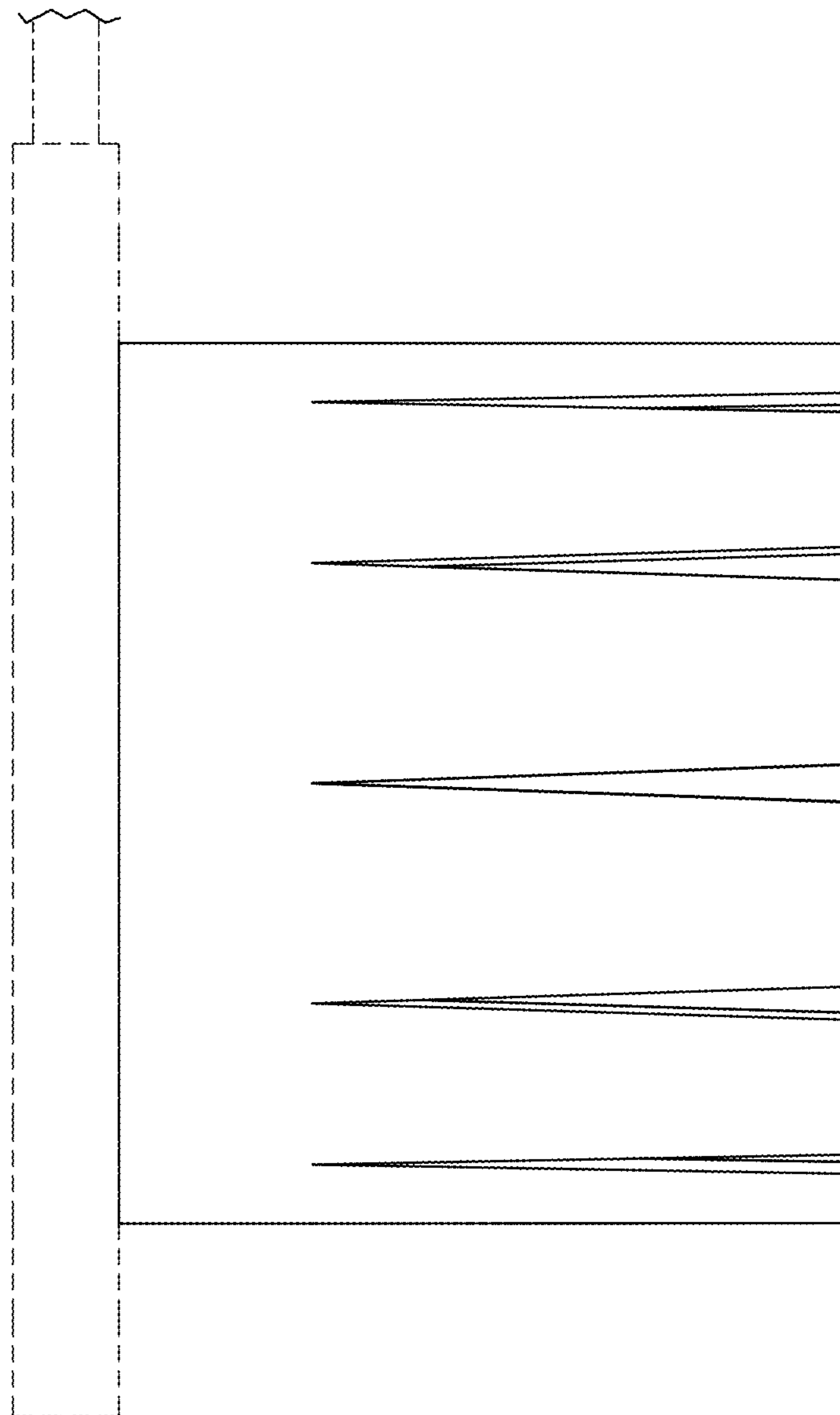


FIG. 23

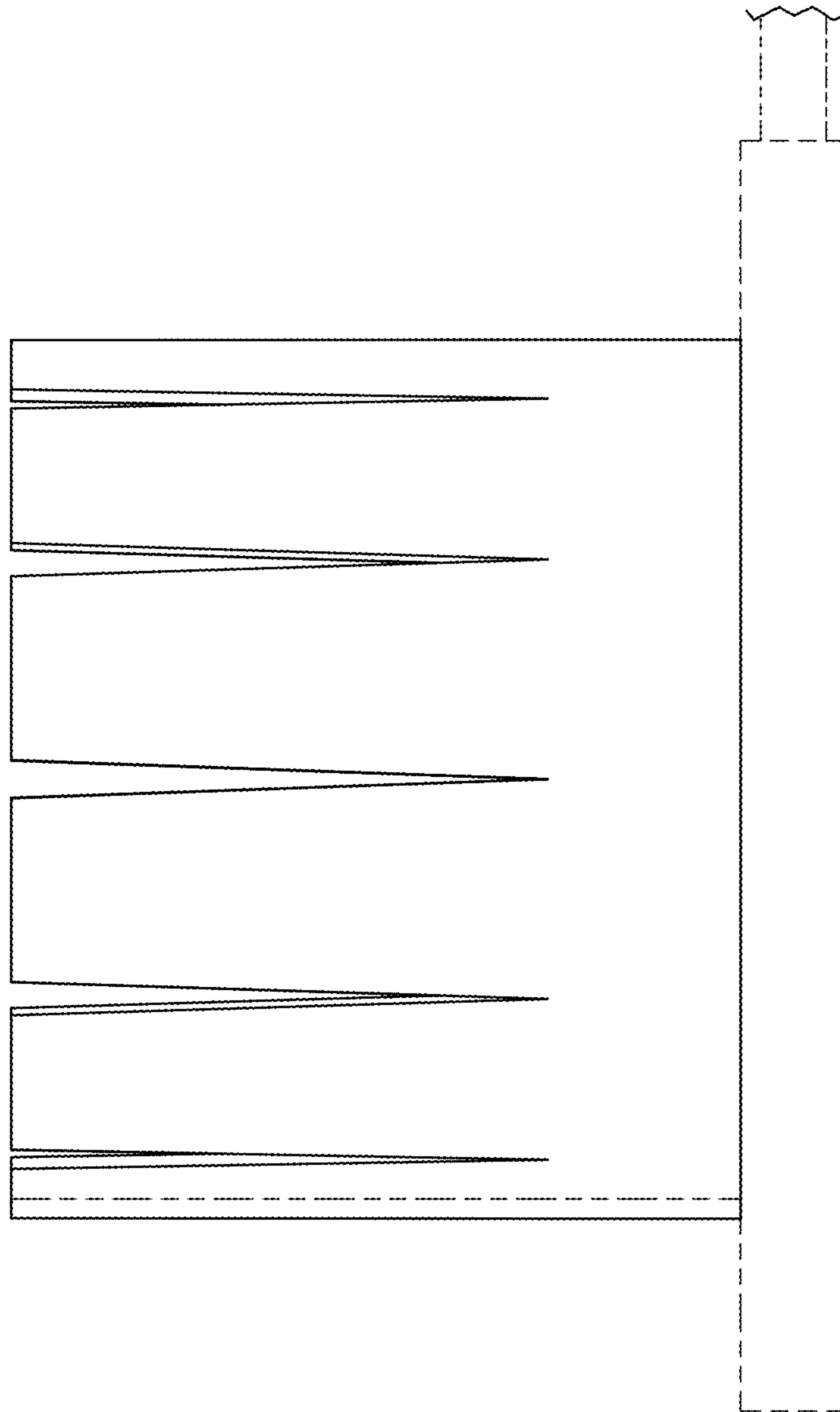


FIG. 24