



US00D782621S

(12) **United States Design Patent**
Smith

(10) **Patent No.:** **US D782,621 S**
(45) **Date of Patent:** **** Mar. 28, 2017**

(54) **SIDE LOAD CONDUIT CONNECTOR**

(71) Applicant: **Bridgeport Fittings, Inc.**, Stratford, CT (US)

(72) Inventor: **Lawrence J. Smith**, Stamford, CT (US)

(73) Assignee: **BRIDGEPORT FITTINGS, INC.**, Stratford, CT (US)

(**) Term: **15 Years**

(21) Appl. No.: **29/553,057**

(22) Filed: **Jan. 28, 2016**

Related U.S. Application Data

(62) Division of application No. 29/495,766, filed on Jul. 3, 2014, now Pat. No. Des. 754,303.

(51) **LOC (10) Cl.** **23-01**

(52) **U.S. Cl.**
USPC **D23/259**

(58) **Field of Classification Search**
USPC D23/259-266; D13/133, 149, 155;
D8/396, 394

CPC H02G 3/0431; H02G 3/0418; H02G 3/22;
H02G 3/065; H02G 3/0691; H02G 3/00;
H02G 25/162; H02G 3/0683; H02G
3/0616; H01B 17/20; H01B 17/16; H01R
4/643; H01R 13/447; H01R 13/74; H01R
13/743; H01R 4/36; H01R 4/363; H01R
13/6277; F16L 41/06

See application file for complete search history.

(56) **References Cited**

U.S. PATENT DOCUMENTS

2,455,180 A * 11/1948 Kennedy F16L 25/08
285/140.1
D188,025 S * 5/1960 Lawrence et al. D23/265

D227,763 S * 7/1973 Hand et al. D23/262
D243,405 S * 2/1977 Mooney D13/149
4,397,485 A * 8/1983 Wood F16L 17/025
285/111
D281,350 S * 11/1985 Heier D23/260
4,641,863 A * 2/1987 Shemtov H02G 3/0683
285/154.4
4,836,580 A * 6/1989 Farrell F16L 25/0045
285/133.11
4,842,548 A * 6/1989 Bolante F16L 47/28
174/653
4,874,191 A * 10/1989 Green F16L 21/08
285/332.3
D332,481 S * 1/1993 Petty D23/262
5,201,914 A * 4/1993 Hollick H01R 4/36
439/801
D339,792 S * 9/1993 Nardi D13/149
D397,413 S * 8/1998 Sapp D23/262

(Continued)

Primary Examiner — John Windmuller

Assistant Examiner — Steven Czyz

(74) *Attorney, Agent, or Firm* — Ware, Fressola, Maguire & Barber LLP

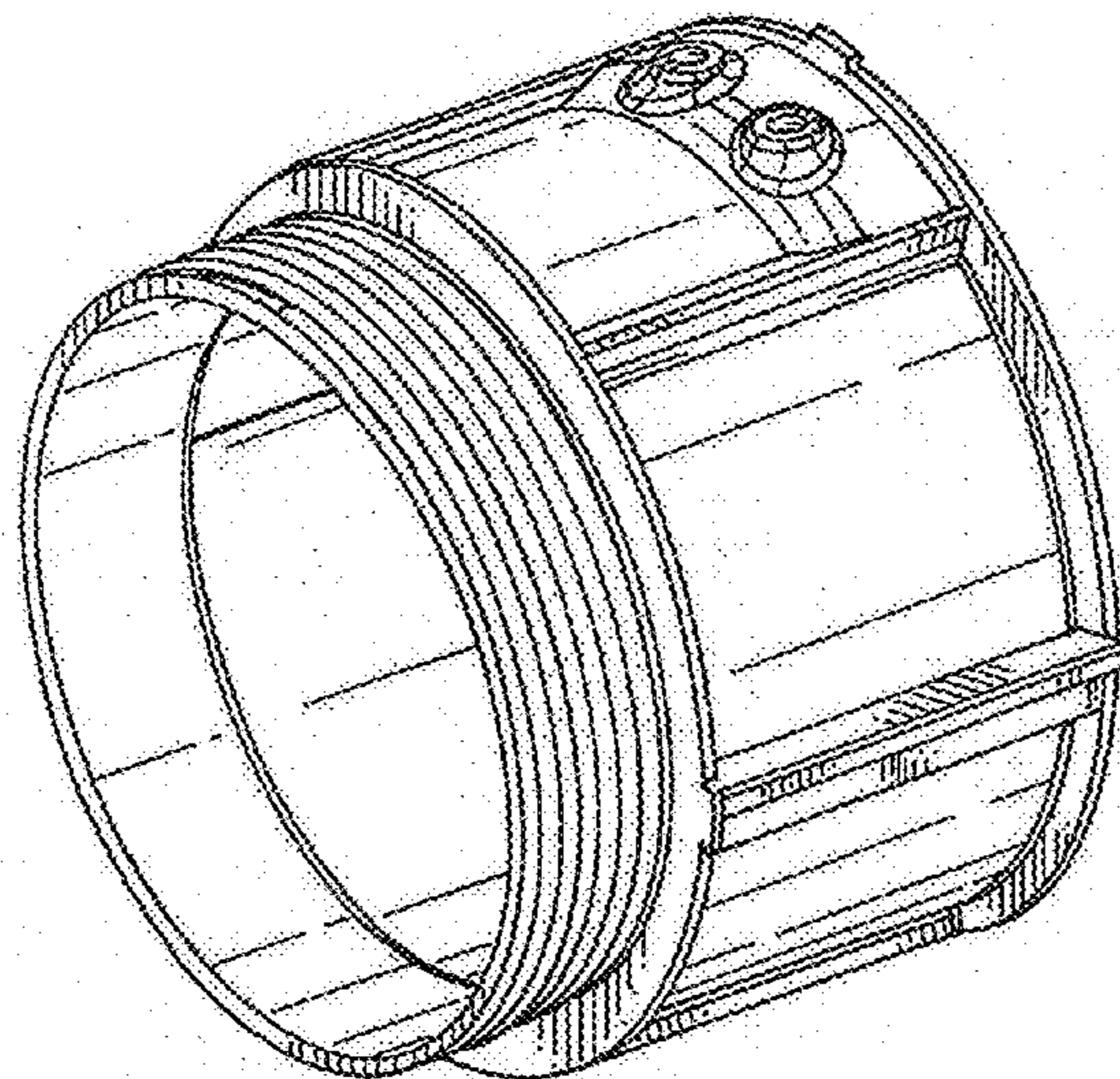
(57) **CLAIM**

The ornamental design for a side load conduit connector, as shown and described.

DESCRIPTION

FIG. 1 is a rear perspective view of a side load conduit connector;
FIG. 2 is a left side view of the side load conduit connector, the right side being a mirror image thereof;
FIG. 3 is a bottom view thereof;
FIG. 4 is a top view thereof;
FIG. 5 is a front view thereof; and,
FIG. 6 is a rear view thereof.

1 Claim, 3 Drawing Sheets



(56)

References Cited

U.S. PATENT DOCUMENTS

5,894,109 A *	4/1999	Marik	H02G 3/0683	174/650	8,646,813 B1 *	2/2014	Shemtov	F16L 25/0036	174/60
D417,498 S *	12/1999	Meyer	D23/386		D702,542 S *	4/2014	Smith	H02G 3/06	D8/396
6,262,369 B1 *	7/2001	Marik	H02G 3/0691	174/151	D737,783 S *	9/2015	Smith	D13/155	
D488,714 S *	4/2004	Schengrund	D8/382		D754,303 S *	4/2016	Smith	D23/259	
6,767,280 B1 *	7/2004	Berger	F16L 25/0045	285/136.1	2004/0112621 A1 *	6/2004	Schengrund	H02G 3/06	174/505
D596,272 S *	7/2009	Price	D23/259		2004/0237728 A1 *	12/2004	Wroblewski	B25B 13/50	81/119
D600,649 S *	9/2009	Smith	D13/133		2005/0184524 A1 *	8/2005	Stravitz	D06F 58/20	285/409
D600,650 S *	9/2009	Smith	D13/133		2009/0218131 A1 *	9/2009	Sheehan	H02G 3/0625	174/665
D600,651 S *	9/2009	Smith	D13/133		2011/0148098 A1 *	6/2011	Flynn	F16L 25/01	285/145.2
D601,094 S *	9/2009	Smith	D13/133		2013/0233435 A1 *	9/2013	Henthorn	F16L 25/065	138/155
D619,967 S *	7/2010	Smith	D13/149		2015/0144717 A1 *	5/2015	Turk	A01G 25/023	239/542
D668,617 S *	10/2012	Kiely	D13/149		2016/0201835 A1 *	7/2016	Jones	F16L 37/12	285/305
D668,618 S *	10/2012	Smith	D13/149							
D689,026 S *	9/2013	Smith	D13/155							
D691,963 S *	10/2013	Smith	D13/155							
D699,195 S *	2/2014	Smith	D13/155							

* cited by examiner

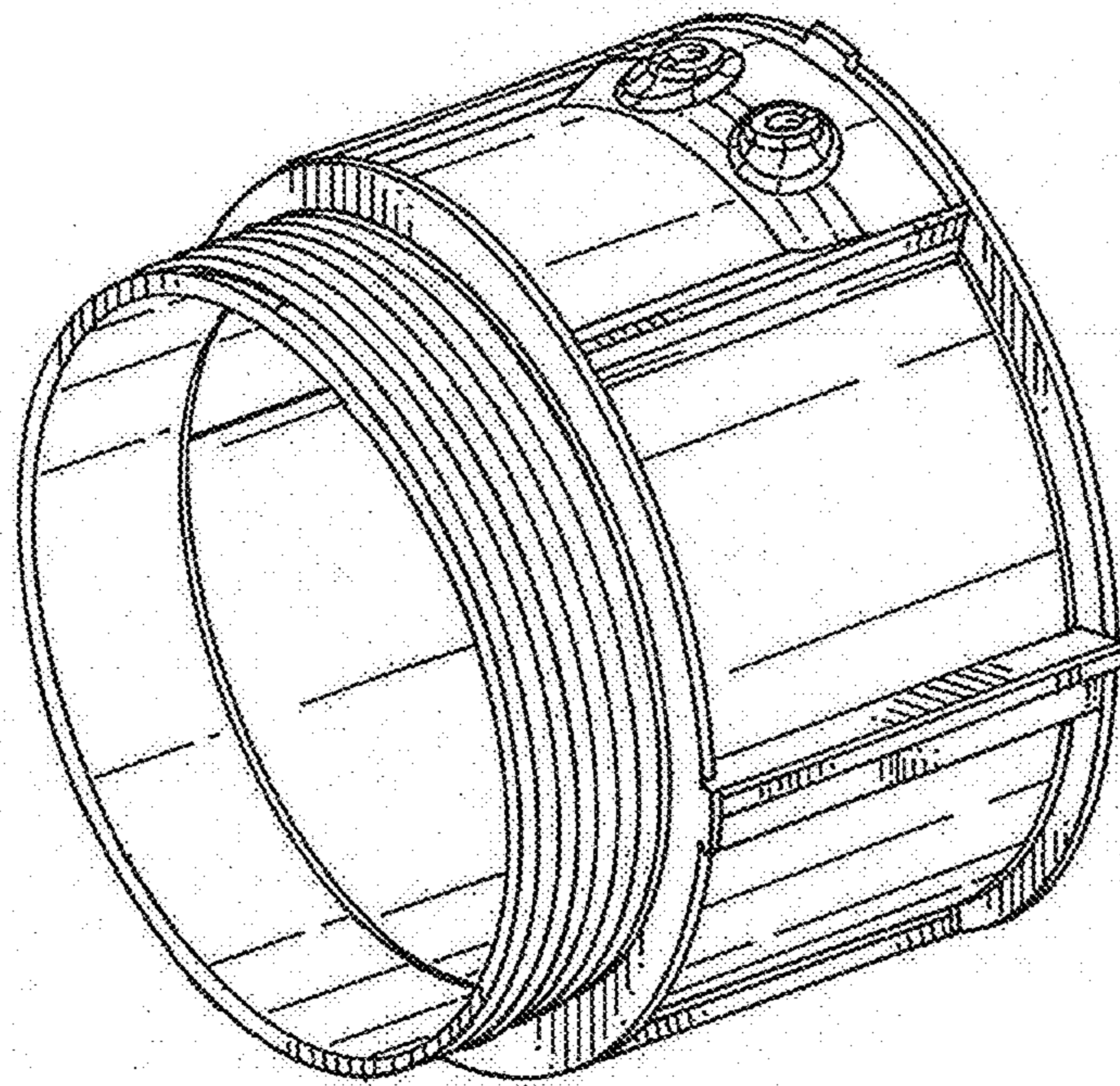


FIG. 1

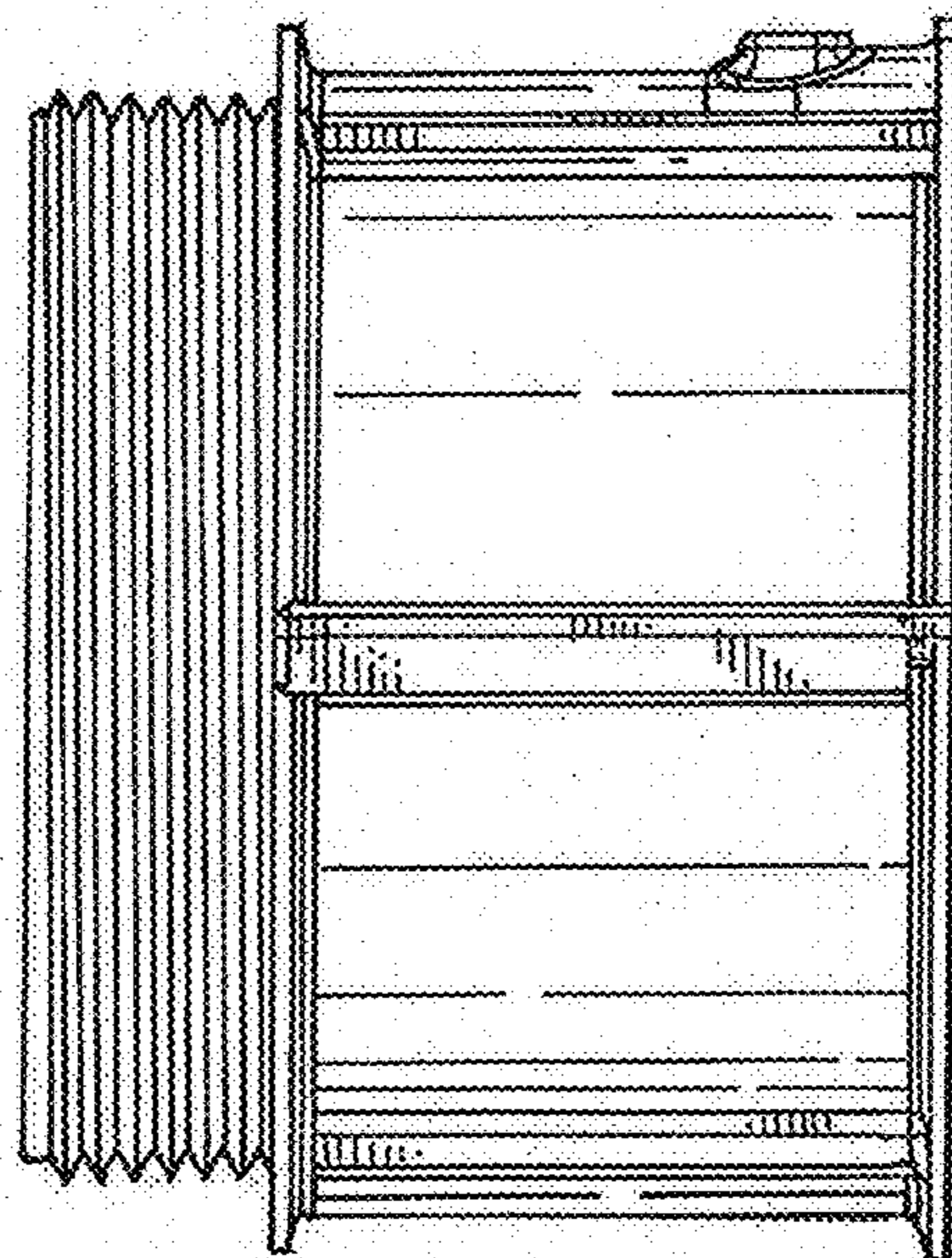


FIG. 2

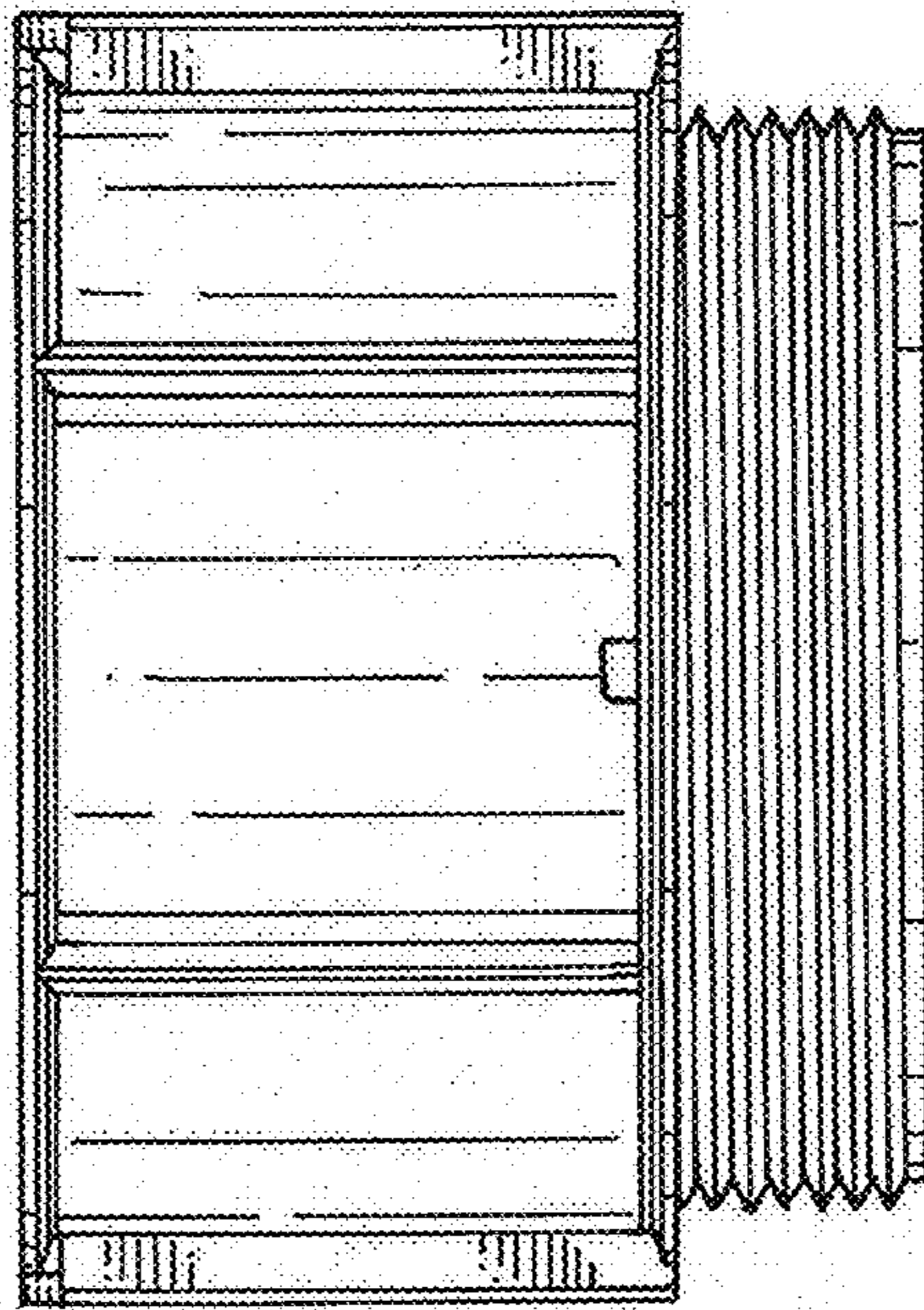


FIG. 3

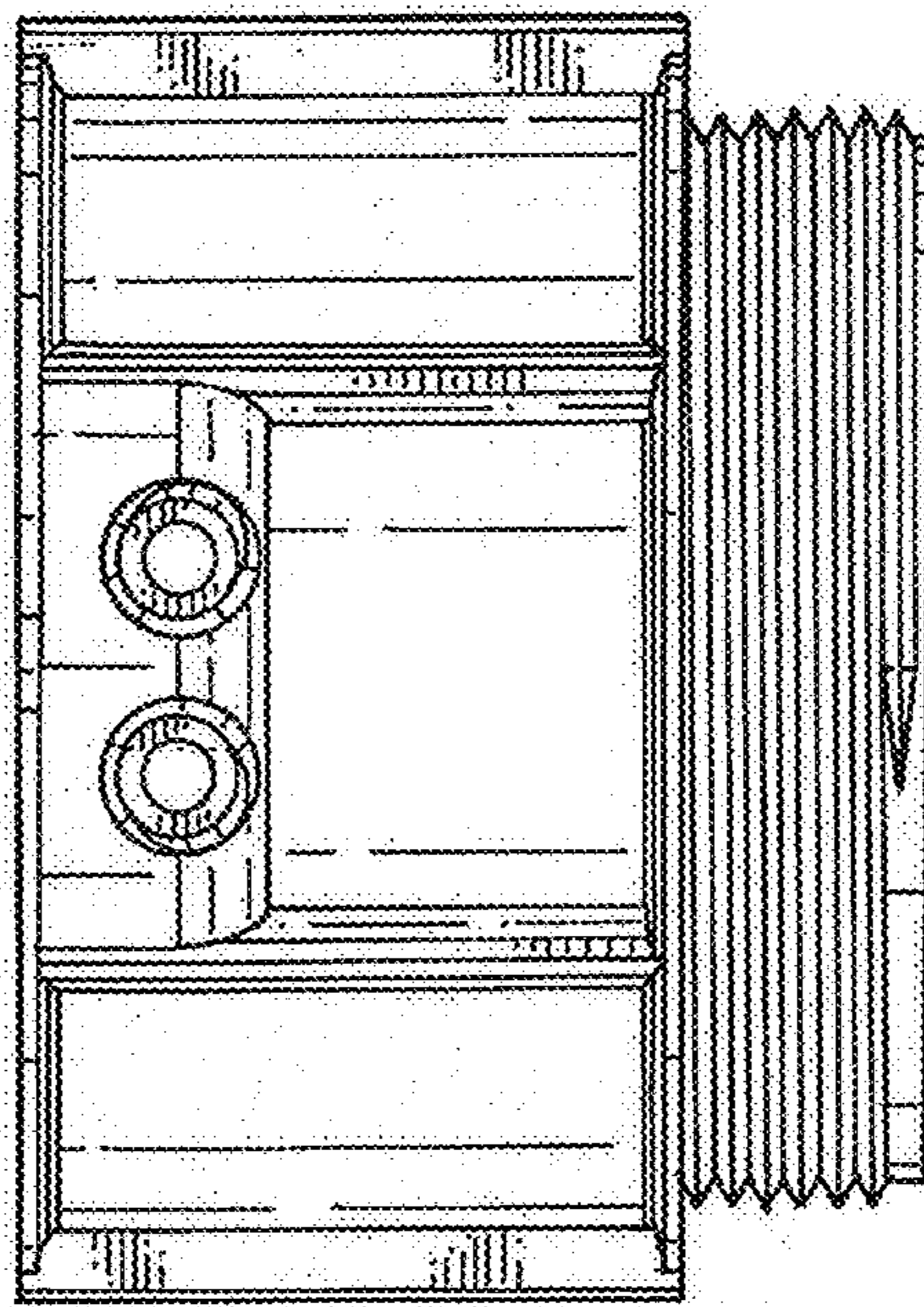


FIG. 4

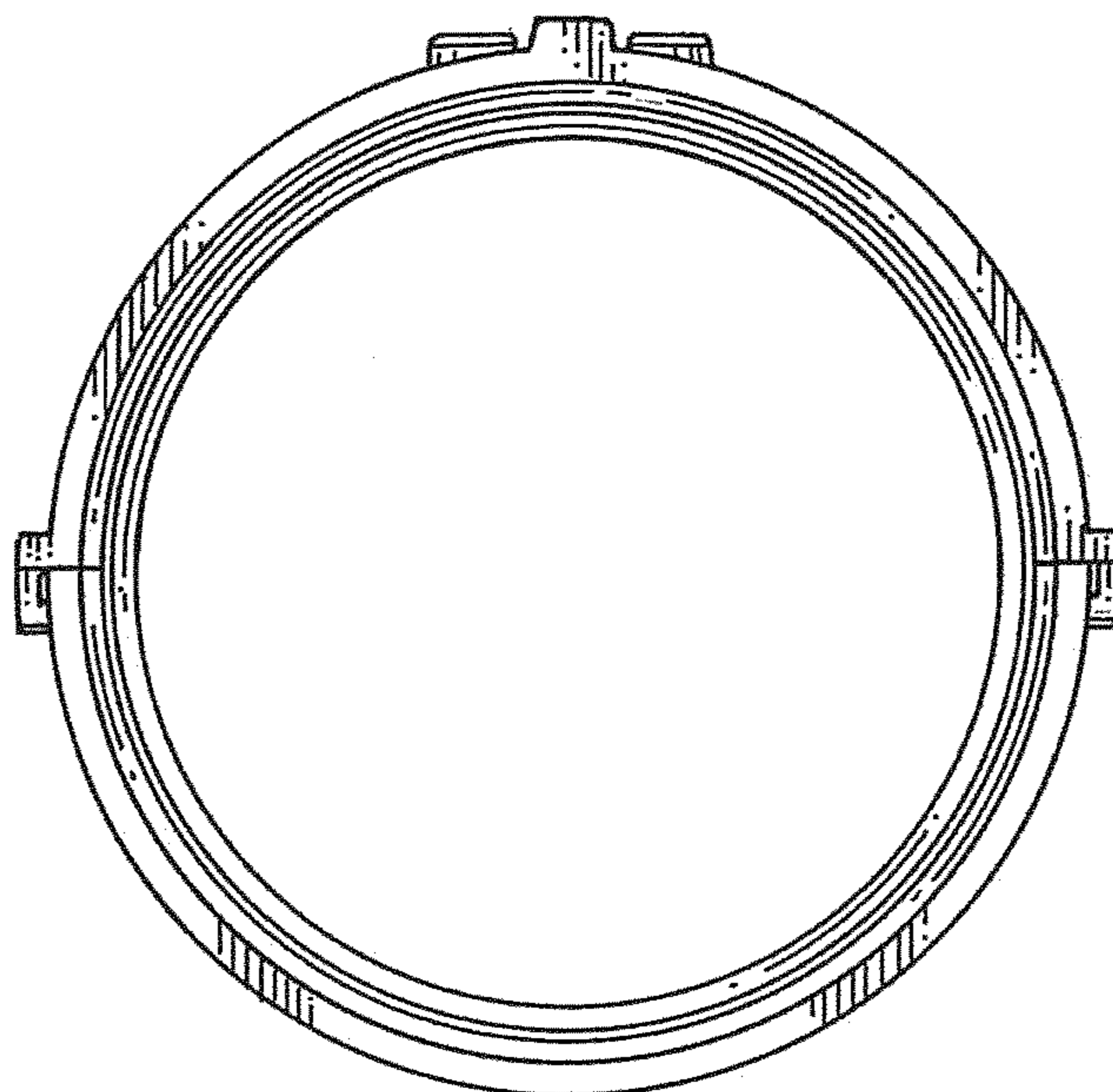


FIG. 5

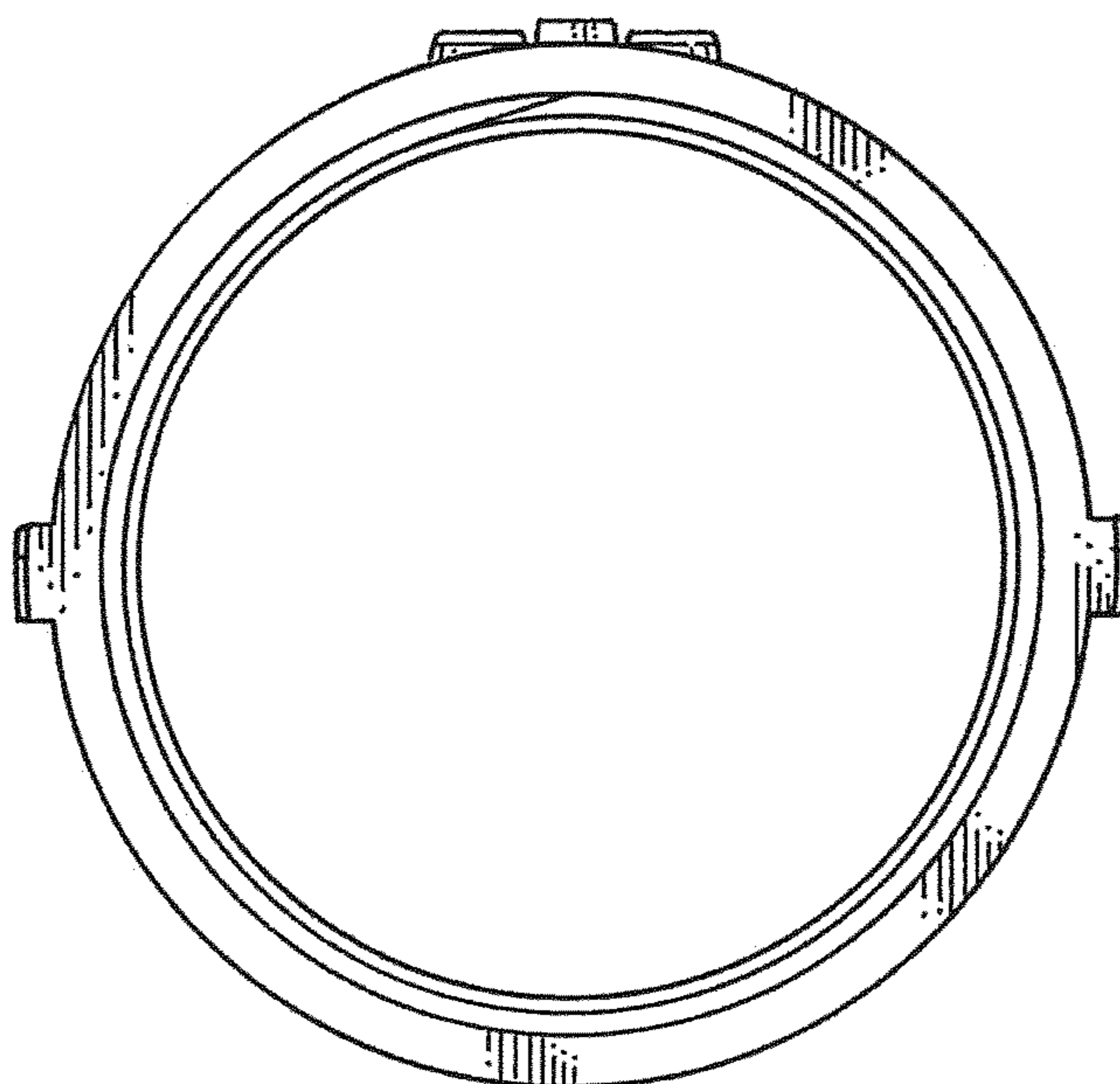


FIG. 6