



US00D782620S

(12) **United States Design Patent**
Becker et al.

(10) **Patent No.:** **US D782,620 S**

(45) **Date of Patent:** **** Mar. 28, 2017**

(54) **SPRAYER ADAPTER**

(71) Applicant: **Graco Minnesota Inc.**, Minneapolis, MN (US)

(72) Inventors: **Steven D. Becker**, Blaine, MN (US);
August F. Legatt, Maple Lake, MN (US)

(73) Assignee: **Graco Minnesota Inc.**, Minneapolis, MN (US)

(**) Term: **15 Years**

(21) Appl. No.: **29/551,848**

(22) Filed: **Jan. 18, 2016**

(51) **LOC (10) Cl.** **23-01**

(52) **U.S. Cl.**
USPC **D23/259**

(58) **Field of Classification Search**
USPC D23/200, 207, 209, 212, 213, 215, 222,
D23/223, 225, 259, 262
CPC A47L 5/4278; B05B 7/2408; B24C 3/12
See application file for complete search history.

(56) **References Cited**

U.S. PATENT DOCUMENTS

D195,540 S *	6/1963	Knight	D23/262
D371,824 S *	7/1996	Price	D23/207
D462,109 S *	8/2002	Adams	D23/213
D471,954 S *	3/2003	Chen	D23/213
D472,300 S *	3/2003	Chen	D23/213
D569,955 S *	5/2008	Chen	D23/262
D648,006 S *	11/2011	Morishita	D23/259
D681,434 S *	5/2013	Wang	D8/387
D687,528 S *	8/2013	Meyer	D23/262
D690,418 S *	9/2013	Rosenquist	D24/129

D706,133 S *	6/2014	Robinson	D9/434
D717,406 S *	11/2014	Stanley	D23/259
D736,358 S *	8/2015	Melo	D23/262
D739,493 S *	9/2015	Wyne	D23/200
D749,697 S *	2/2016	Wojan	D23/223
D757,233 S *	5/2016	Vaz	D23/262
2008/0251609 A1 *	10/2008	Ting	B05B 7/2408 239/379
2012/0000992 A1 *	1/2012	Shih	B05B 7/2408 239/302
2015/0060568 A1 *	3/2015	Johnson	B05B 7/02 239/302

OTHER PUBLICATIONS

Graco Fine Finish Texture Kit Instructions-Parts List #310617E.
Benron EZ Tex Junior flyer.

* cited by examiner

Primary Examiner — Robin V Webster
Assistant Examiner — Rachel Voorhies

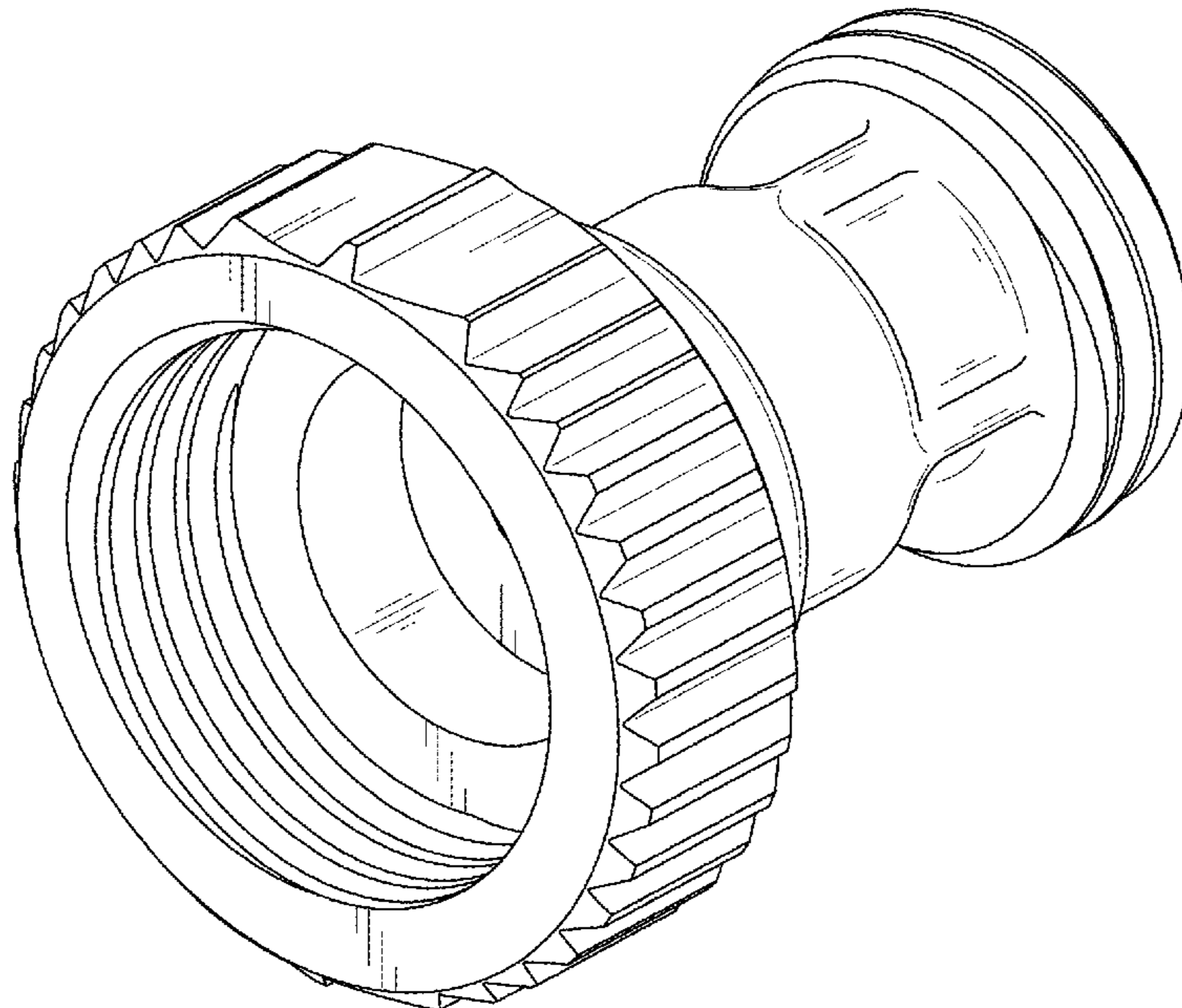
(57) **CLAIM**

The ornamental design for a sprayer adapter, as shown and described.

DESCRIPTION

FIG. 1 is a rear isometric view of a sprayer adapter;
FIG. 2 is a front isometric view thereof;
FIG. 3 is a left view thereof;
FIG. 4 is a front view thereof;
FIG. 5 is a right side view thereof;
FIG. 6 is a rear view thereof;
FIG. 7 is a top view thereof; and,
FIG. 8 is a bottom view of a sprayer adapter.

1 Claim, 8 Drawing Sheets



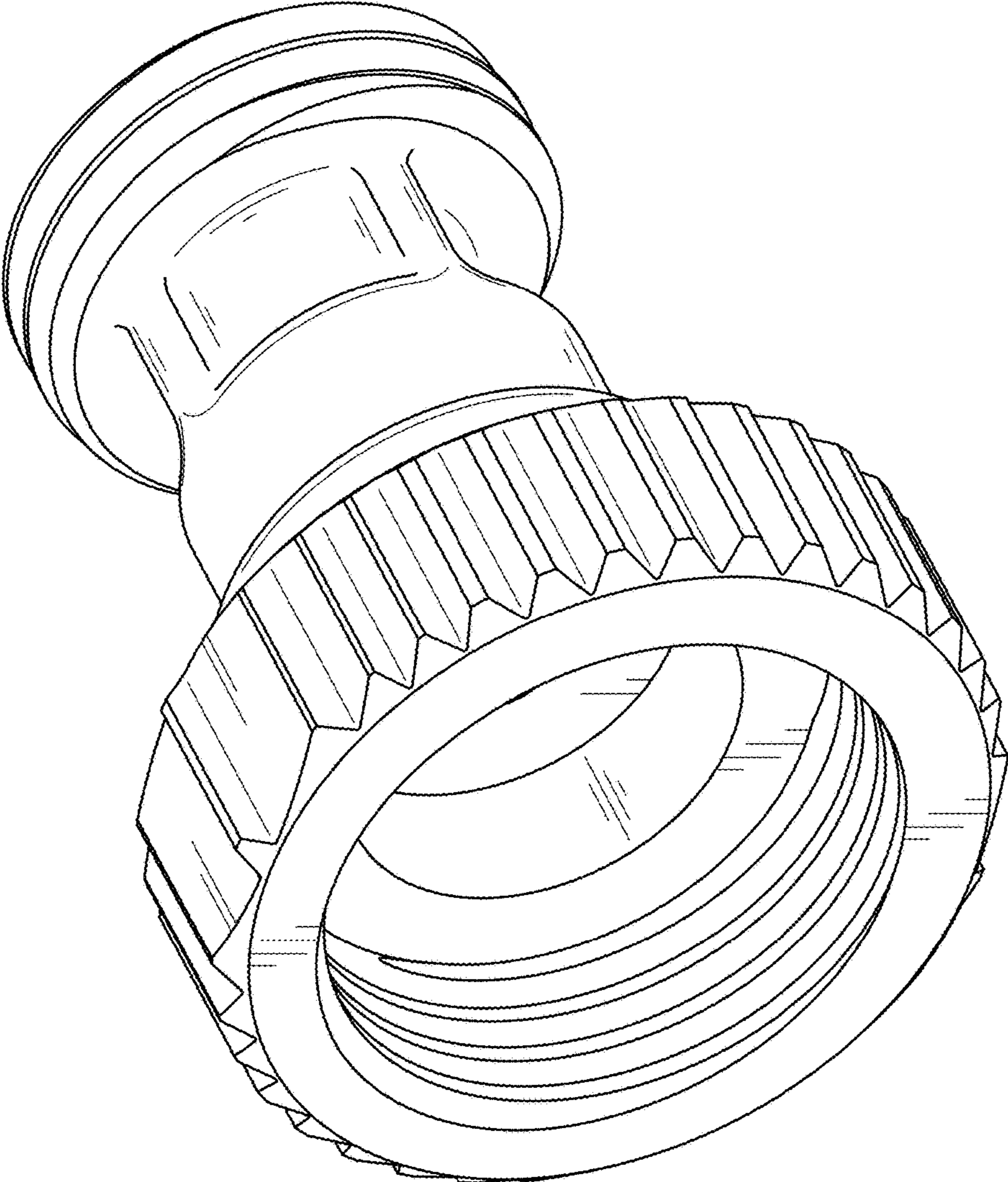


FIG. 1

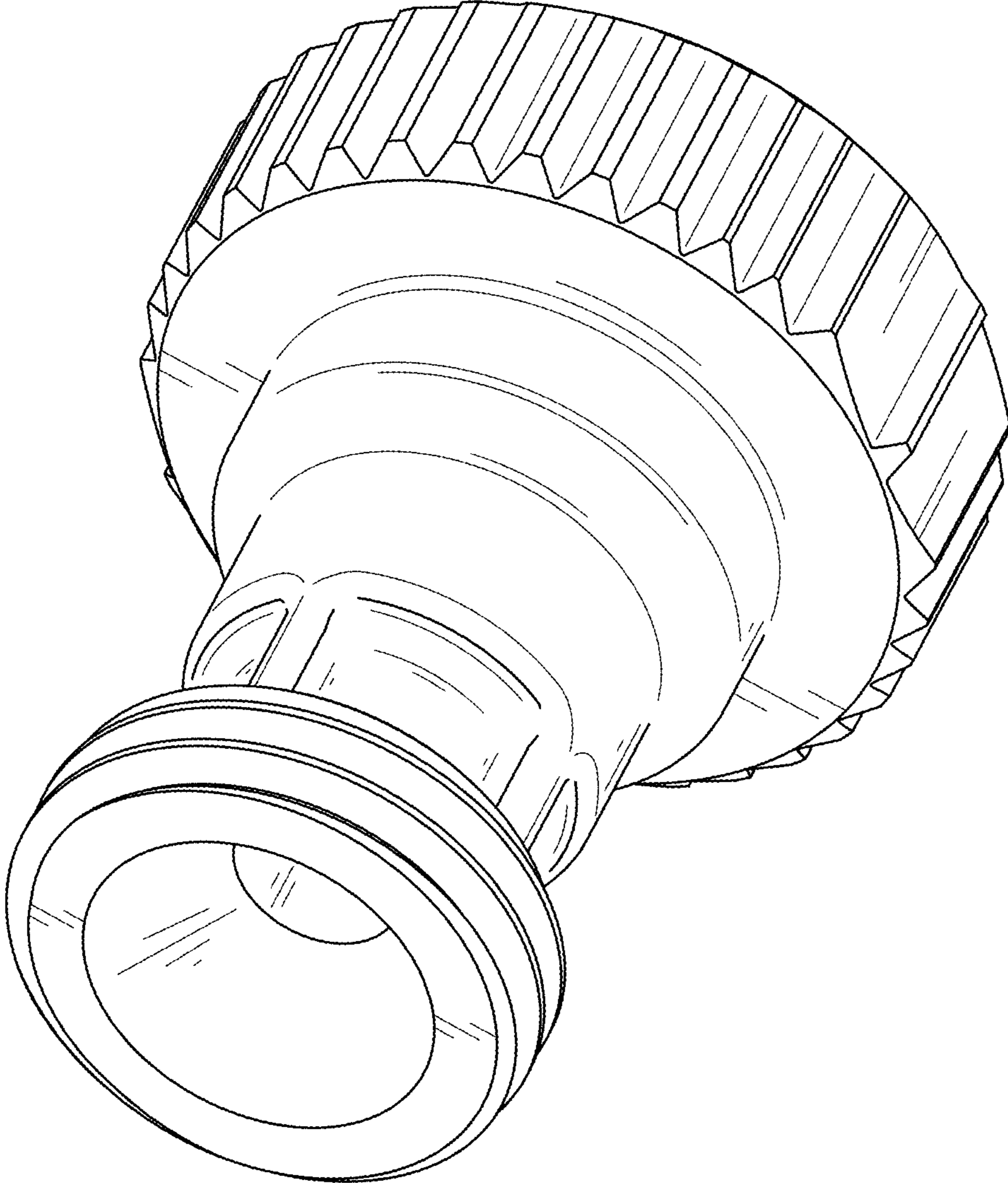


FIG. 2

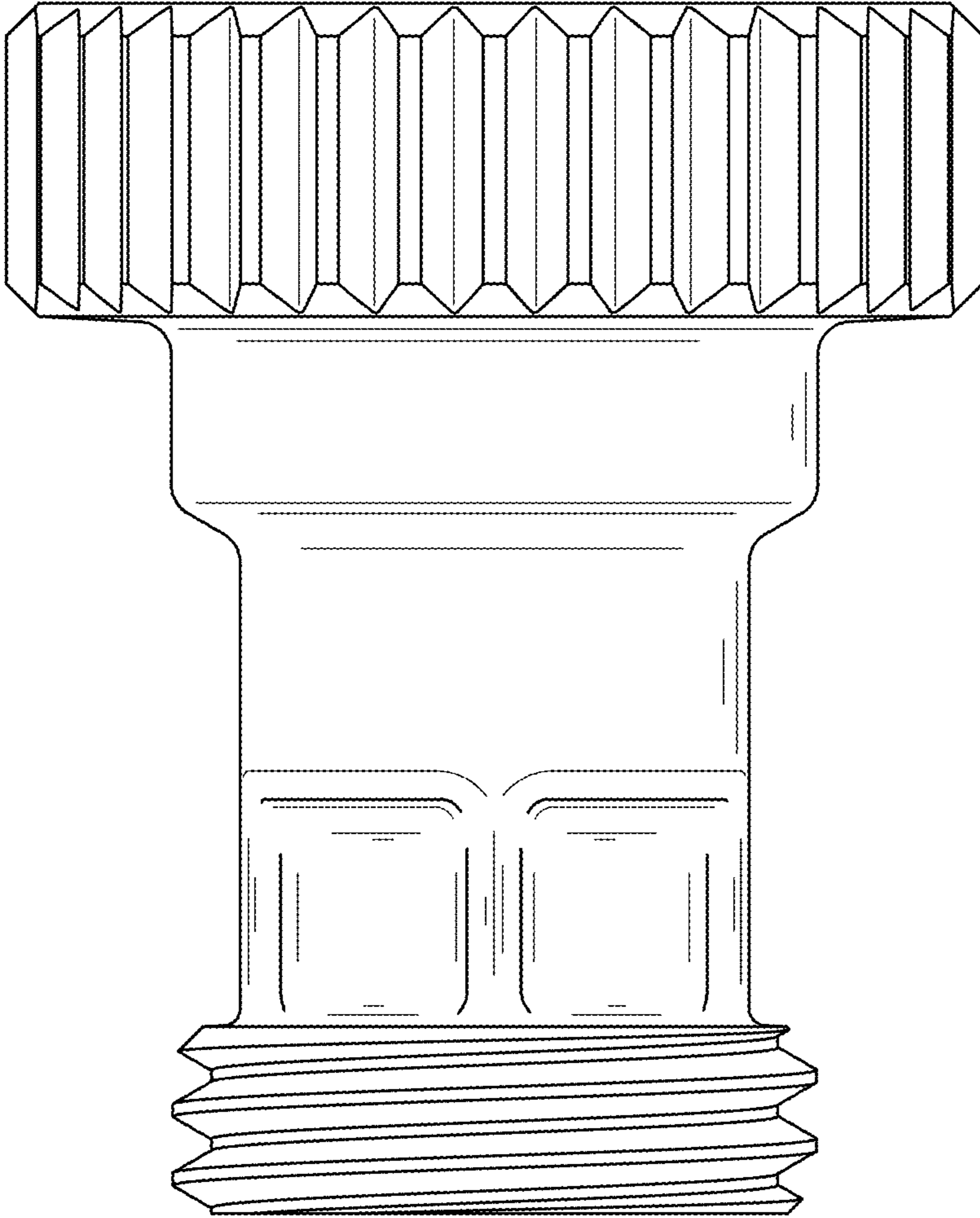


FIG. 3

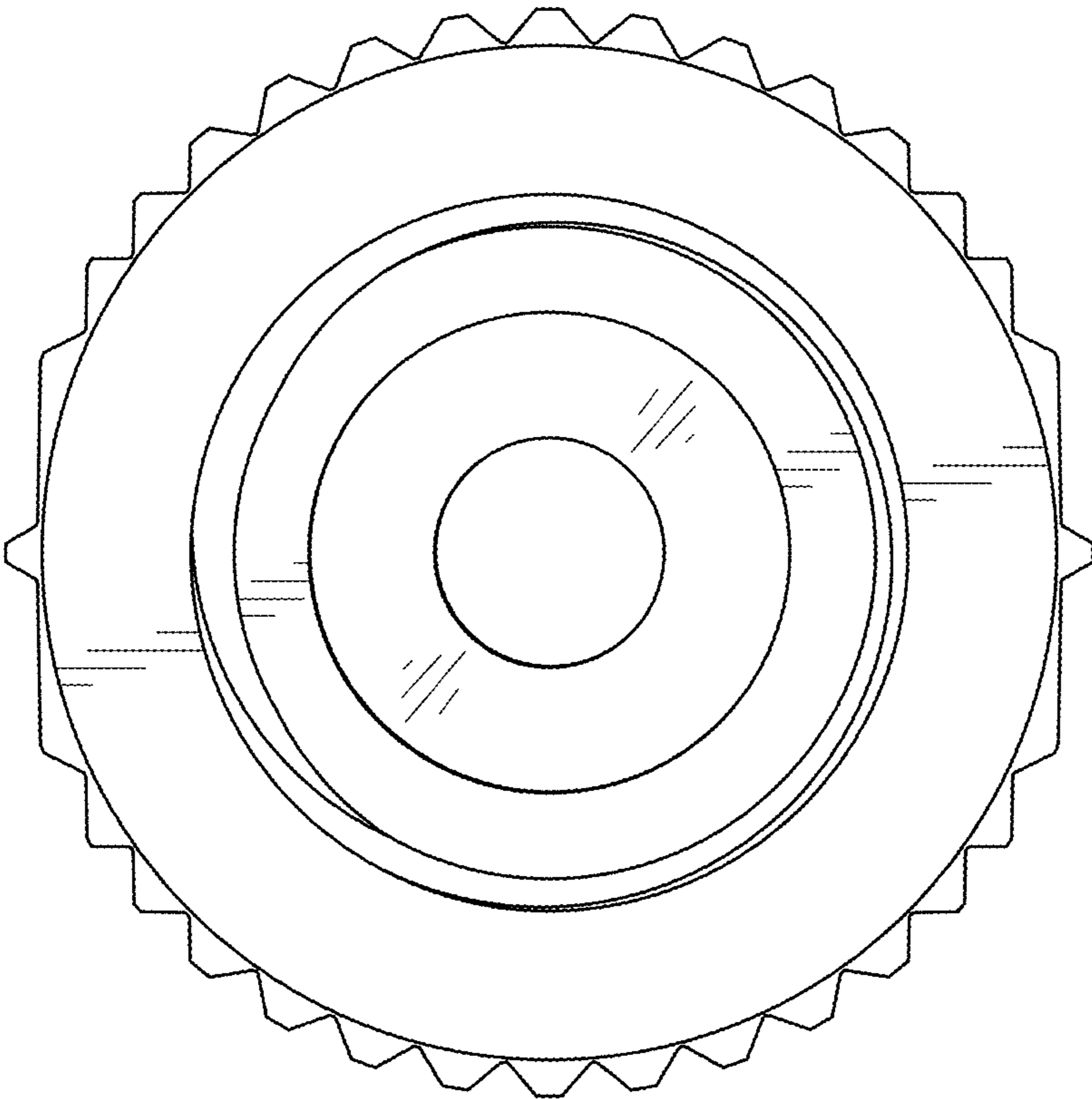


FIG. 4

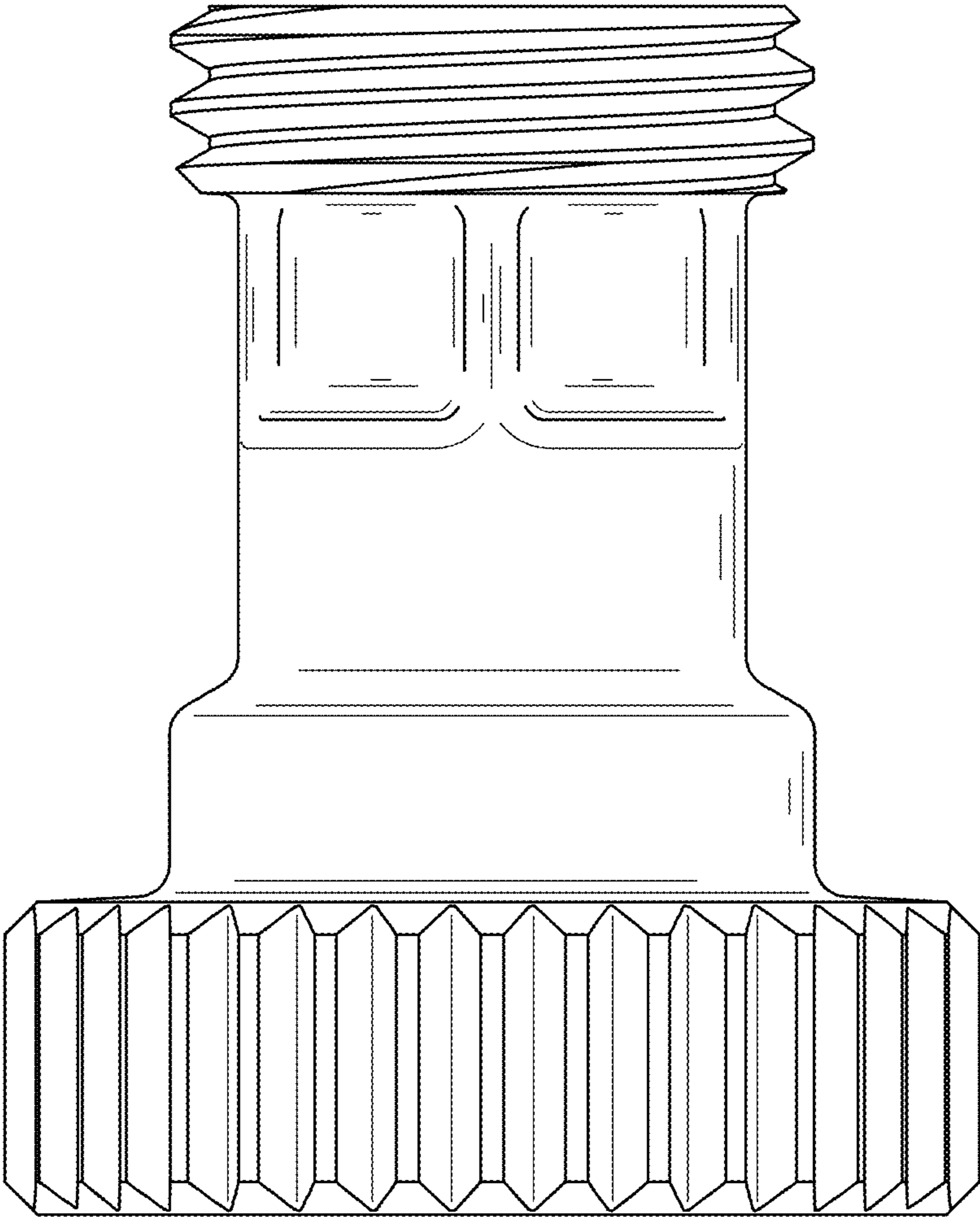


FIG. 5

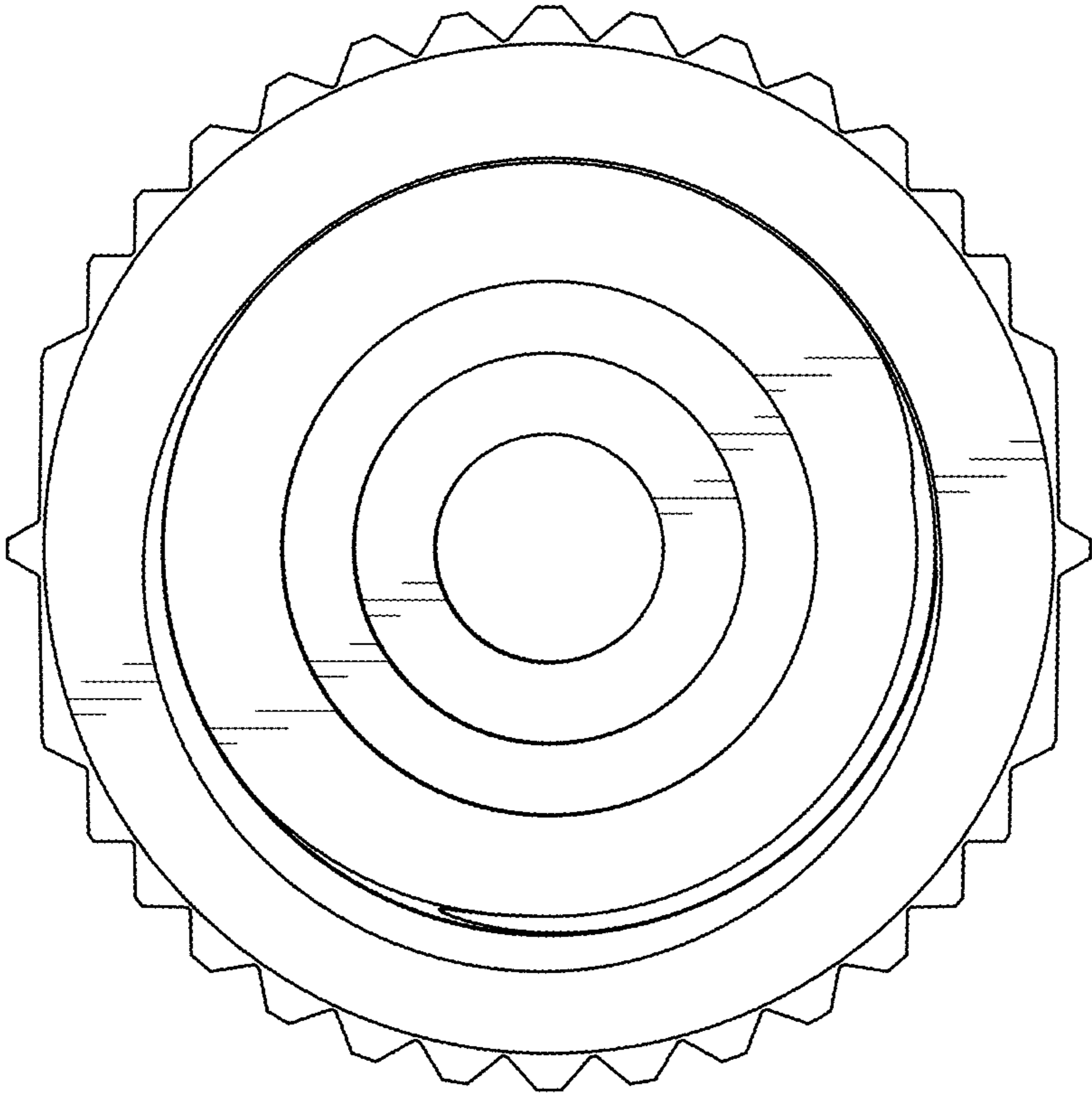


FIG. 6

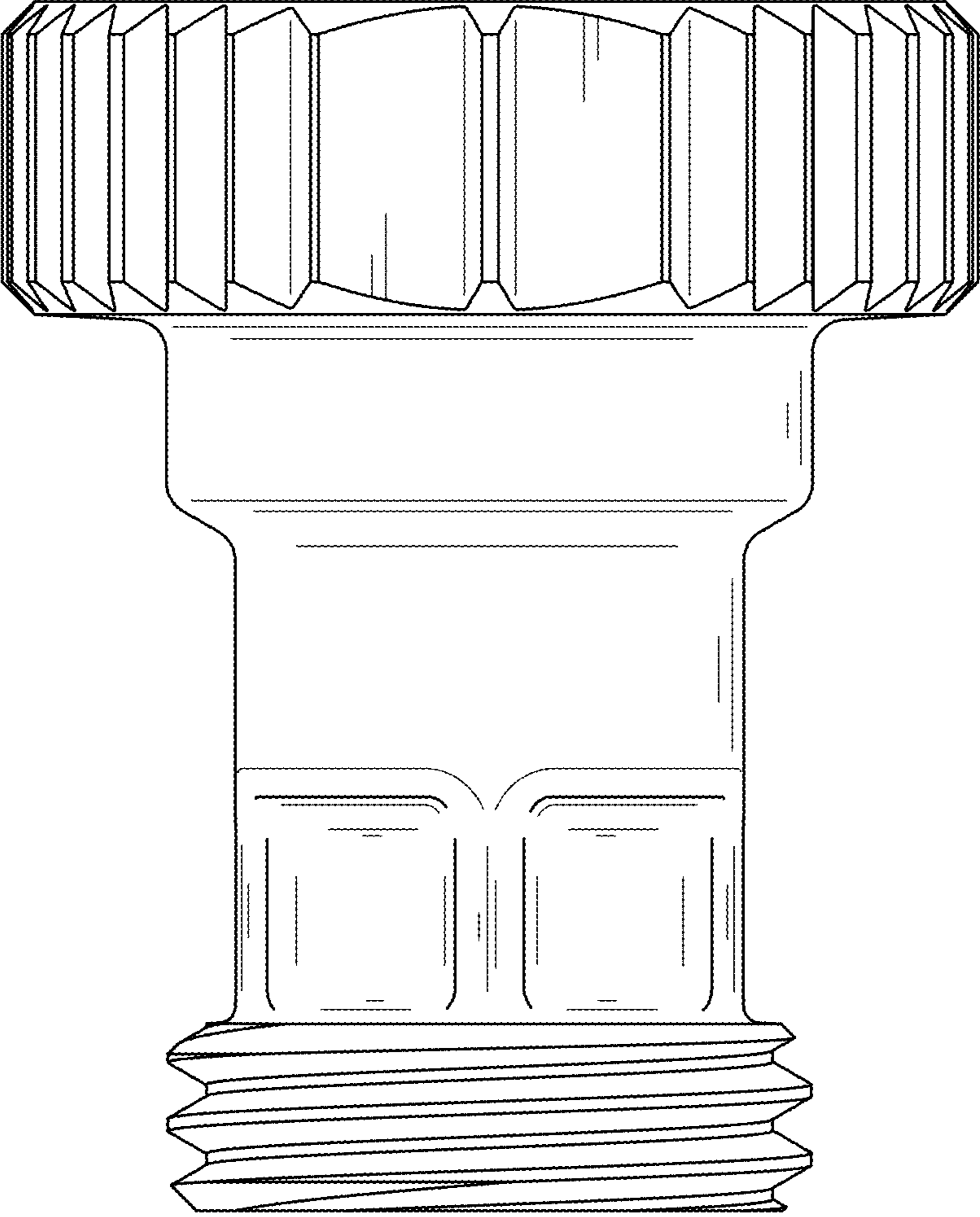


FIG. 7

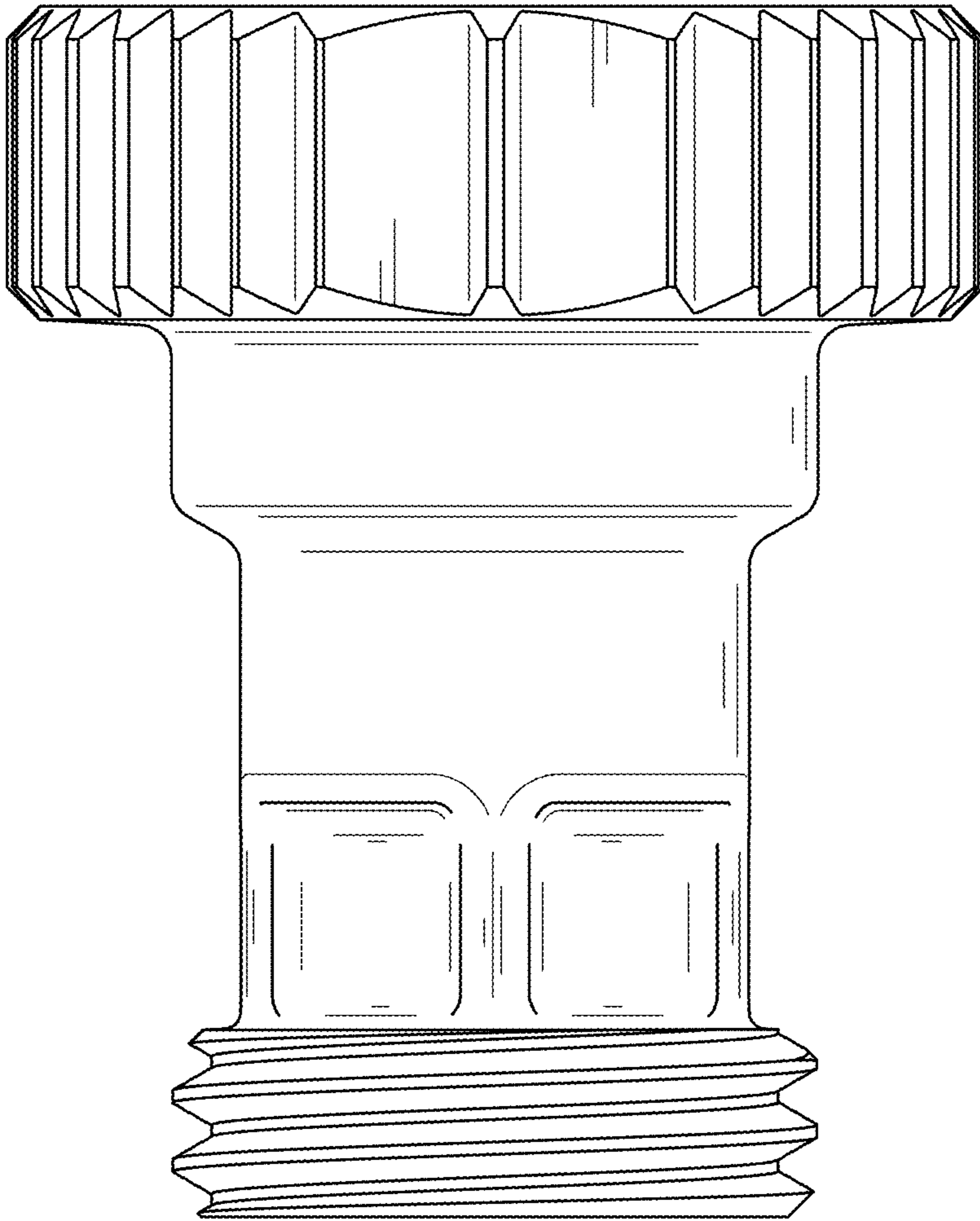


FIG. 8