



US00D782618S

(12) **United States Design Patent** (10) **Patent No.:** **US D782,618 S**  
**Hong** (45) **Date of Patent:** **\*\* Mar. 28, 2017**

(54) **HANDLE**  
(71) Applicant: **Kohler Co.**, Kohler, WI (US)  
(72) Inventor: **Zheyang Hong**, Sheboygan, WI (US)  
(73) Assignee: **Kohler Co.**, Kohler, WI (US)  
(\*\*) Term: **15 Years**

D641,072 S 7/2011 Flowers  
D644,303 S 8/2011 Slothower et al.  
D647,176 S 10/2011 Liao  
D647,179 S 10/2011 Flowers  
D647,601 S \* 10/2011 Liao ..... D23/242  
D652,488 S 1/2012 Slothower et al.  
D661,374 S 6/2012 Slothower et al.  
D661,782 S 6/2012 Slothower et al.  
D704,304 S \* 5/2014 Schoenherr ..... D23/238  
D713,941 S 9/2014 Hundley et al.  
D716,418 S 10/2014 Hundley et al.

(21) Appl. No.: **29/565,917**  
(22) Filed: **May 25, 2016**

\* cited by examiner

**Related U.S. Application Data**

*Primary Examiner* — Robert Delehanty  
(74) *Attorney, Agent, or Firm* — Foley & Lardner LLP

(62) Division of application No. 29/519,947, filed on Mar. 9, 2015, now Pat. No. Des. 767,733.  
(51) **LOC (10) Cl.** ..... **23-01**  
(52) **U.S. Cl.**  
USPC ..... **D23/252**  
(58) **Field of Classification Search**  
USPC ..... D23/238–243, 249–250, 252, 254–255, D23/257, 253  
CPC ..... E03C 1/04; E03C 1/0401; E03C 1/0402; E03C 1/0404; F16K 31/602; F16K 31/605; F16K 31/607  
See application file for complete search history.

(57) **CLAIM**

I claim the ornamental design for a handle, as shown and described.

**DESCRIPTION**

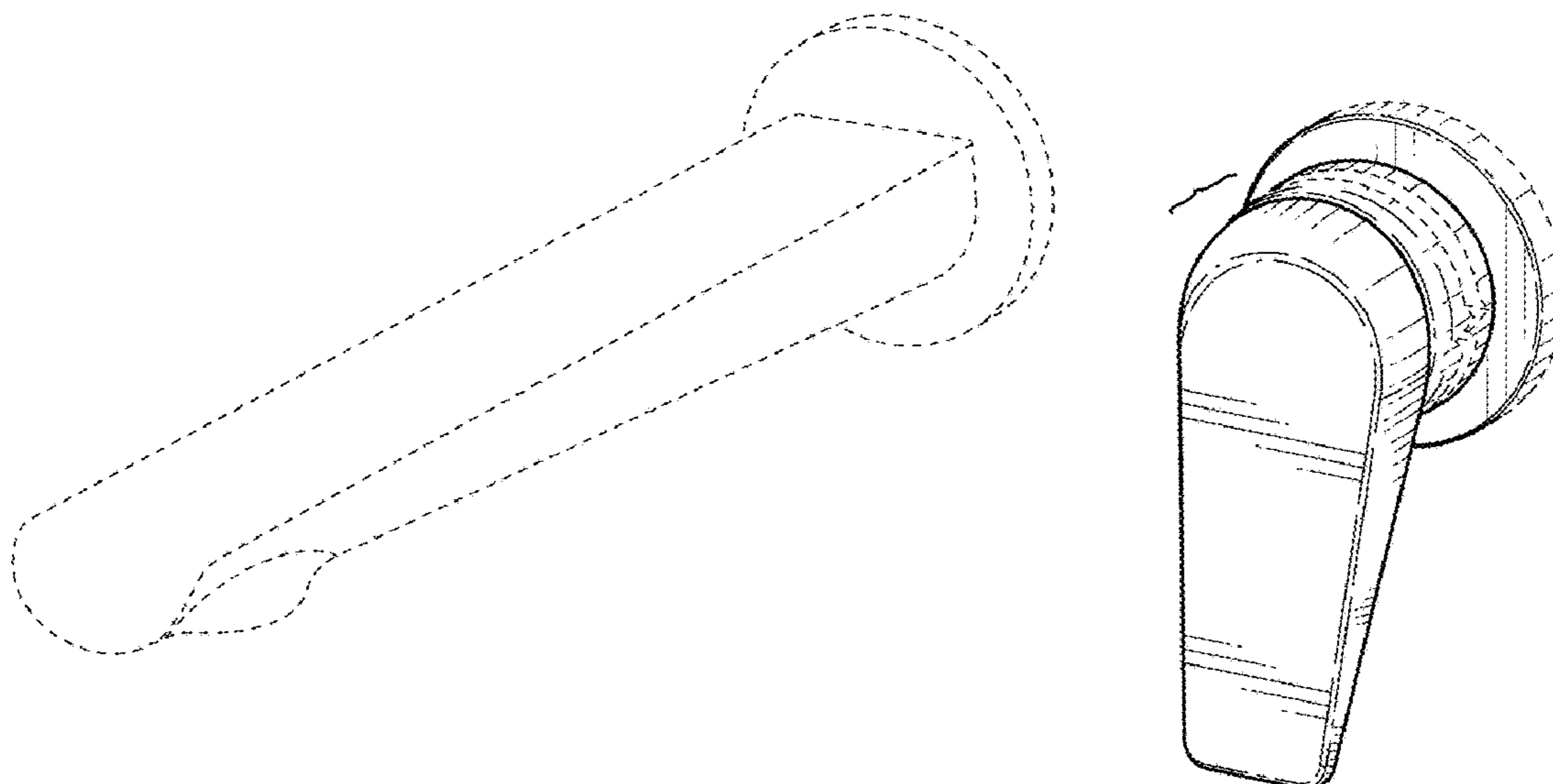
FIG. 1 is a top, front, right perspective view of an embodiment of the claimed design;  
FIG. 2 is a front elevation view thereof;  
FIG. 3 is a rear elevation view thereof;  
FIG. 4 is a left elevation view thereof taken along line 4-4 in FIG. 2;  
FIG. 5 is a right elevation view thereof;  
FIG. 6 is a top, plan view thereof; and,  
FIG. 7 is a bottom, plan view thereof.  
The ornamental design which is claimed is shown in solid lines in the drawings. The broken lines in the drawings form no part of the claimed design. Broken lines formed by equal length dashes show unclaimed subject matter. Broken away symbols having a jagged element show that no particular length of the portion is claimed.

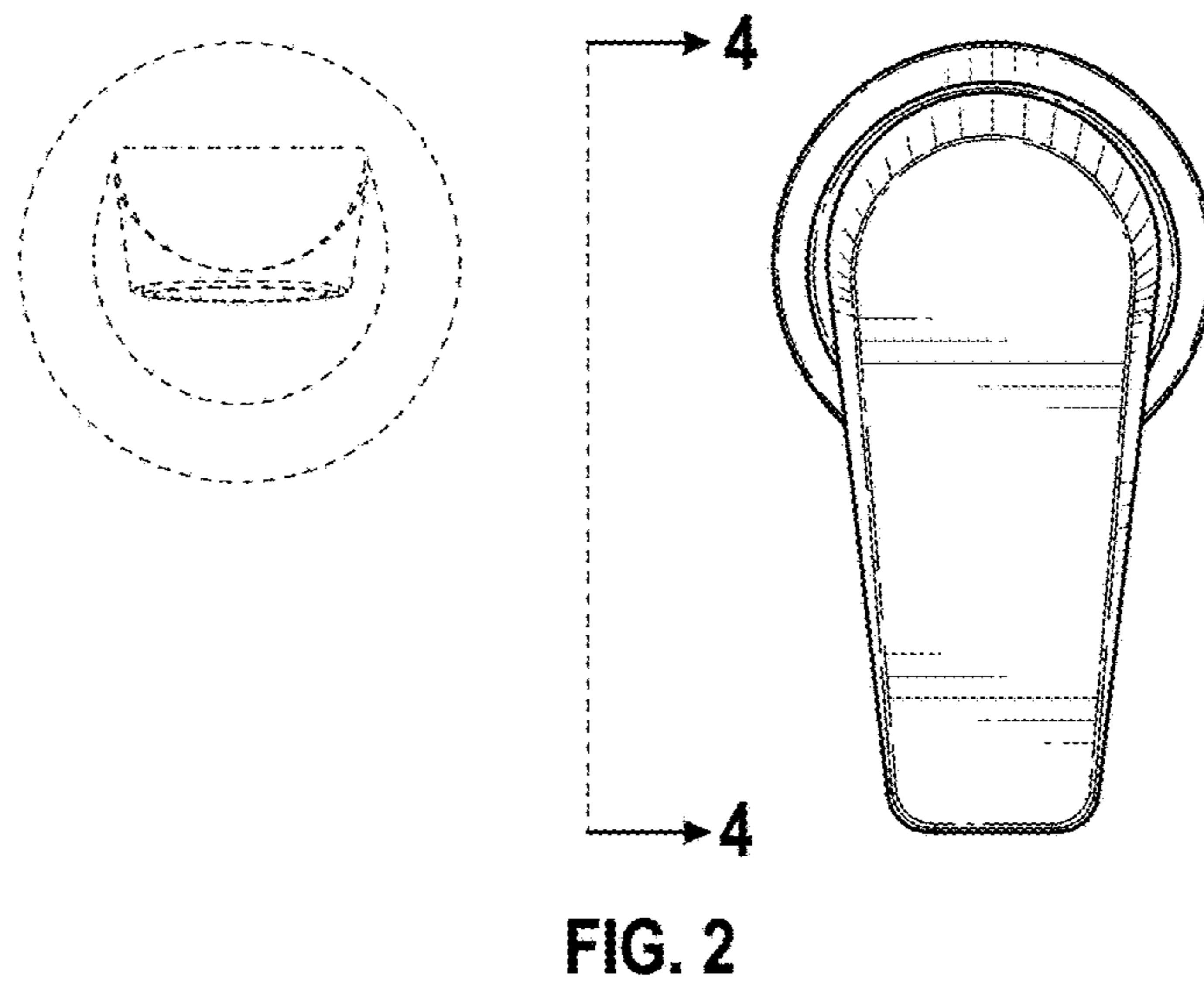
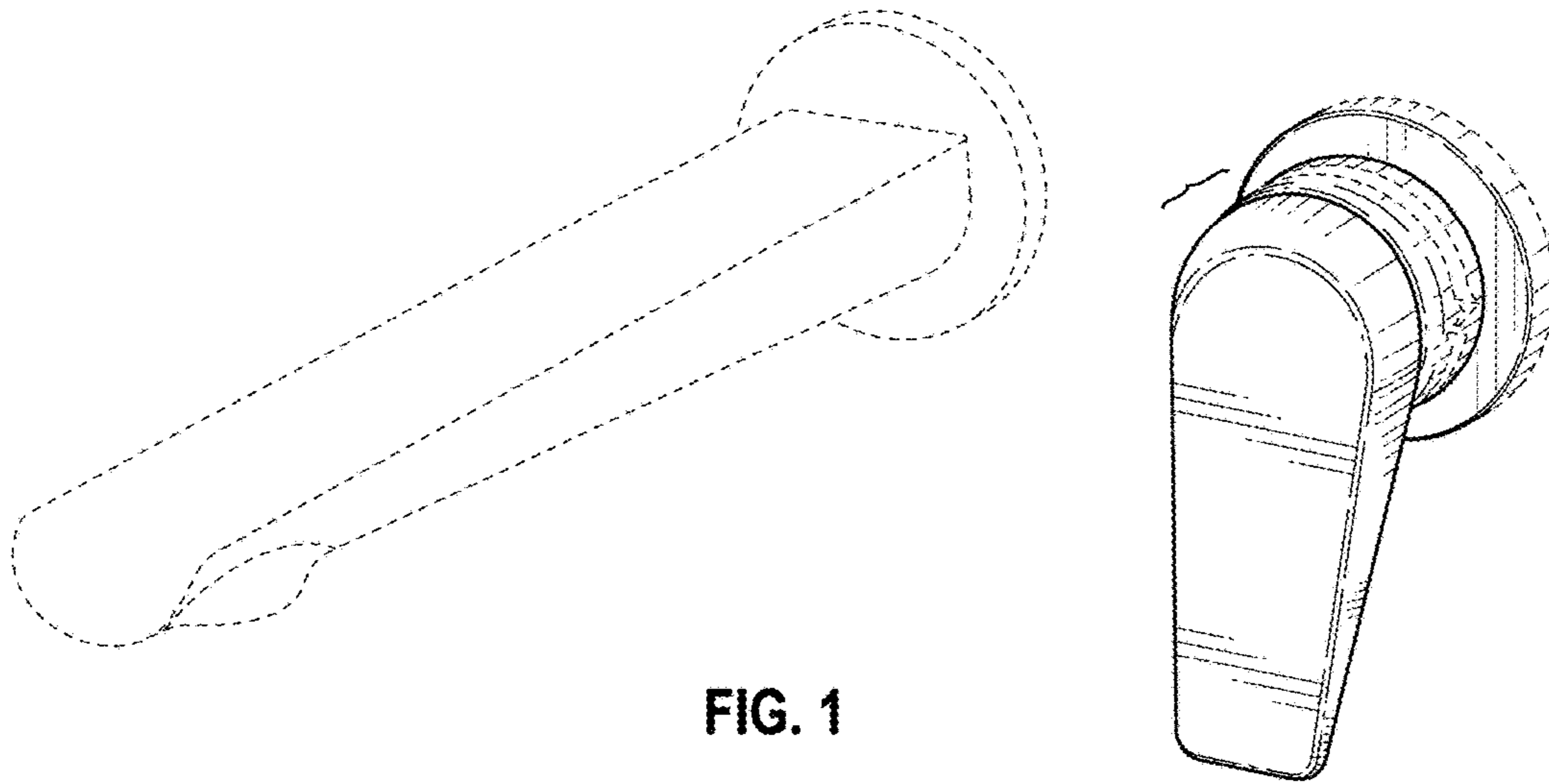
(56) **References Cited**

**U.S. PATENT DOCUMENTS**

D325,424 S 4/1992 Dannenberg  
D326,139 S 5/1992 Ragonot  
D527,807 S 9/2006 Haug  
D582,009 S \* 12/2008 Citterio ..... D23/238  
D617,425 S 6/2010 Lammel  
D628,277 S 11/2010 Montgomery  
D636,065 S 4/2011 Schoenherr

**1 Claim, 4 Drawing Sheets**





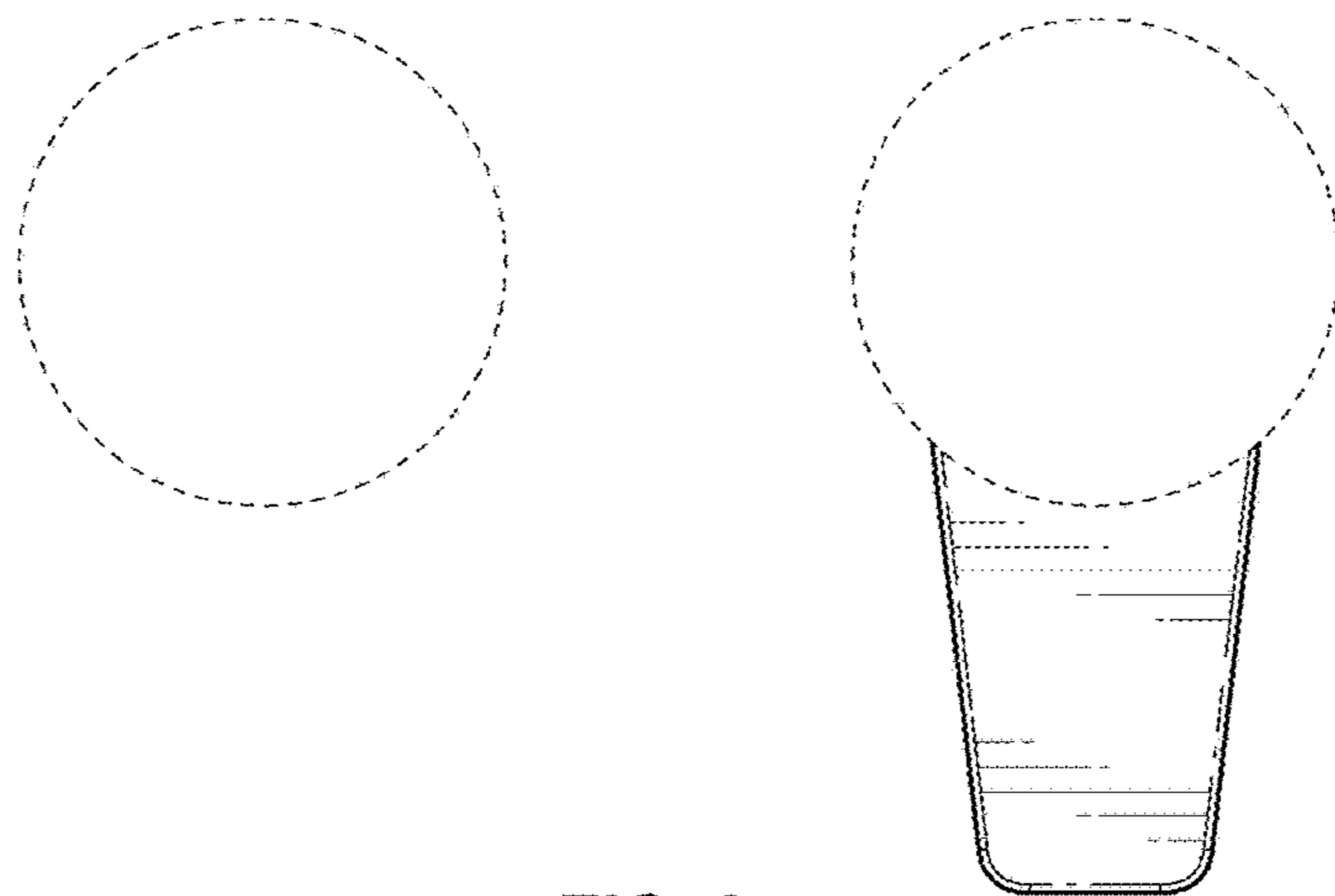


FIG. 3

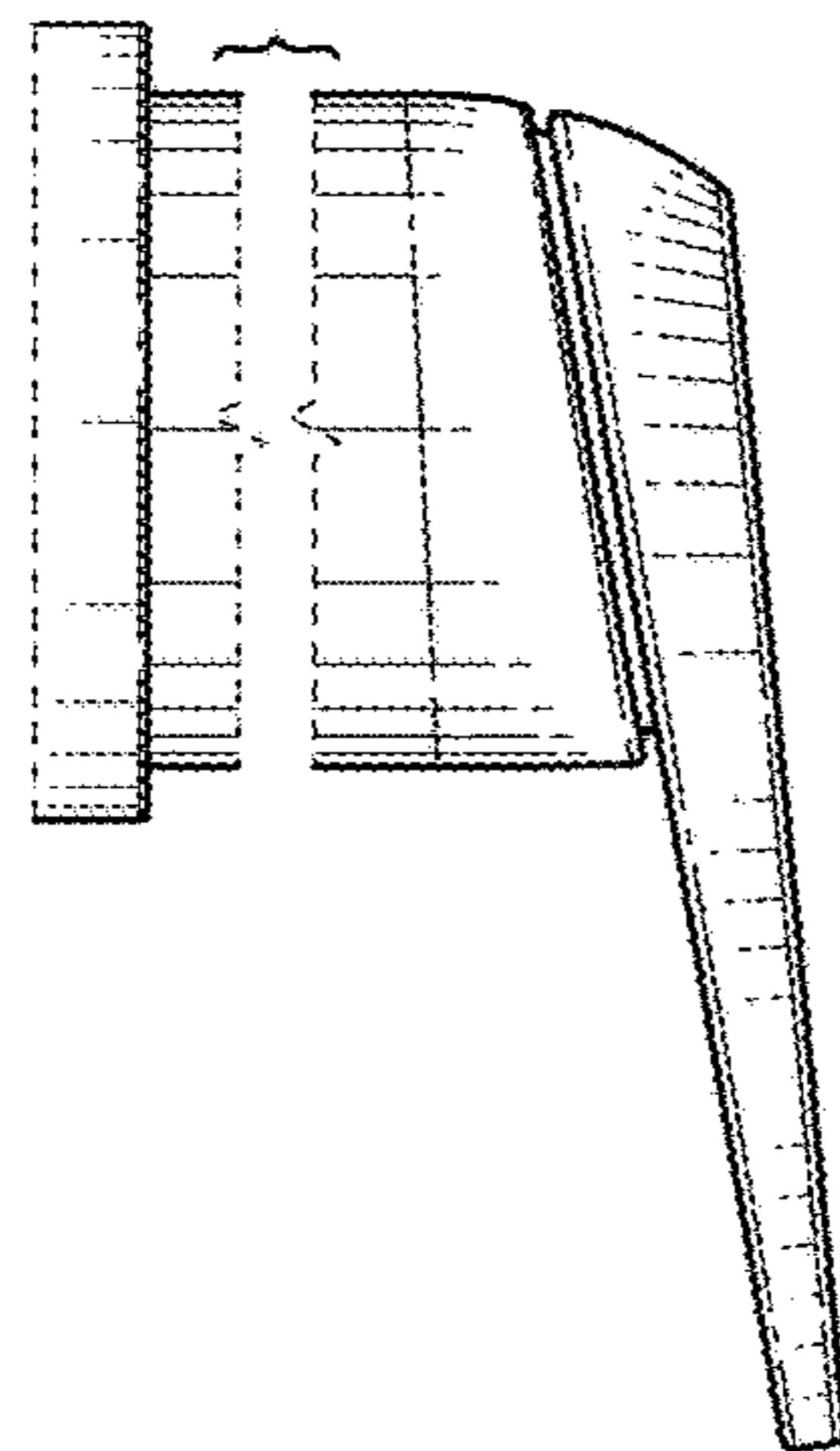


FIG. 4

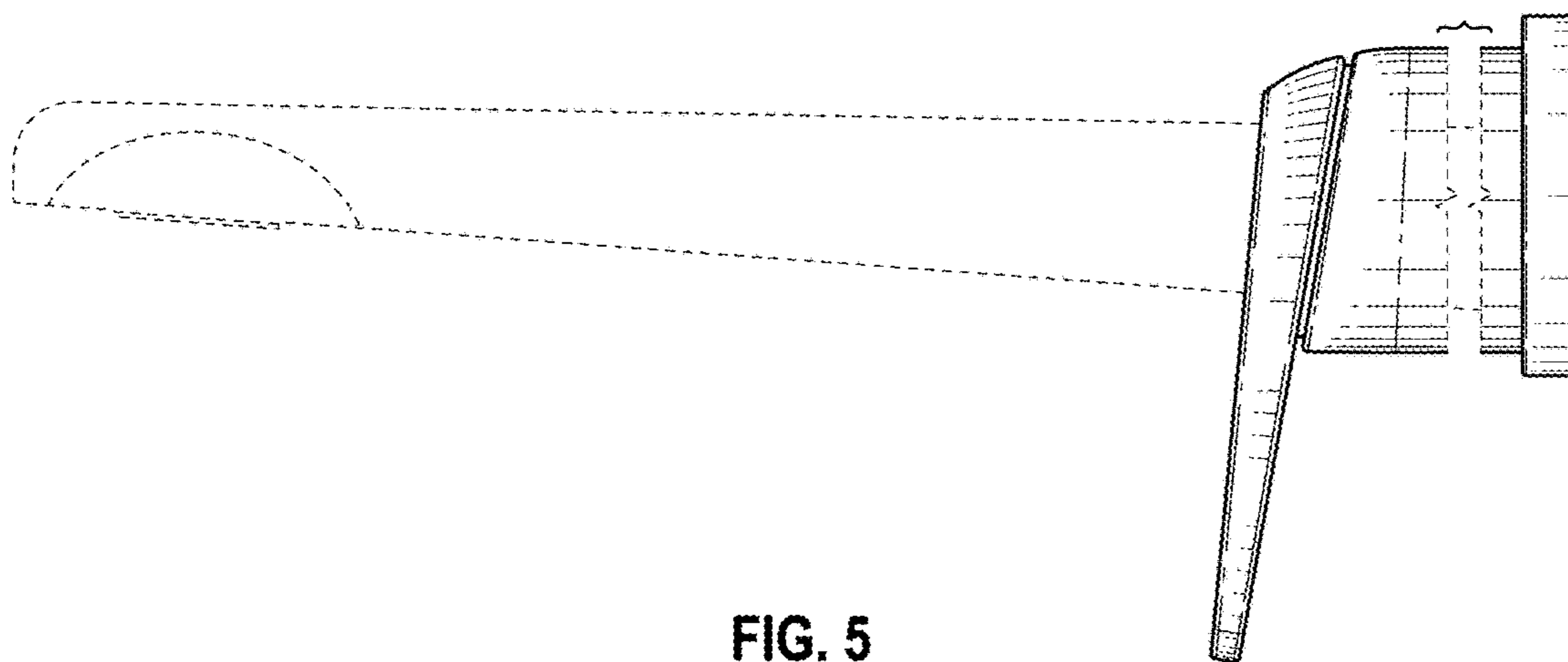


FIG. 5

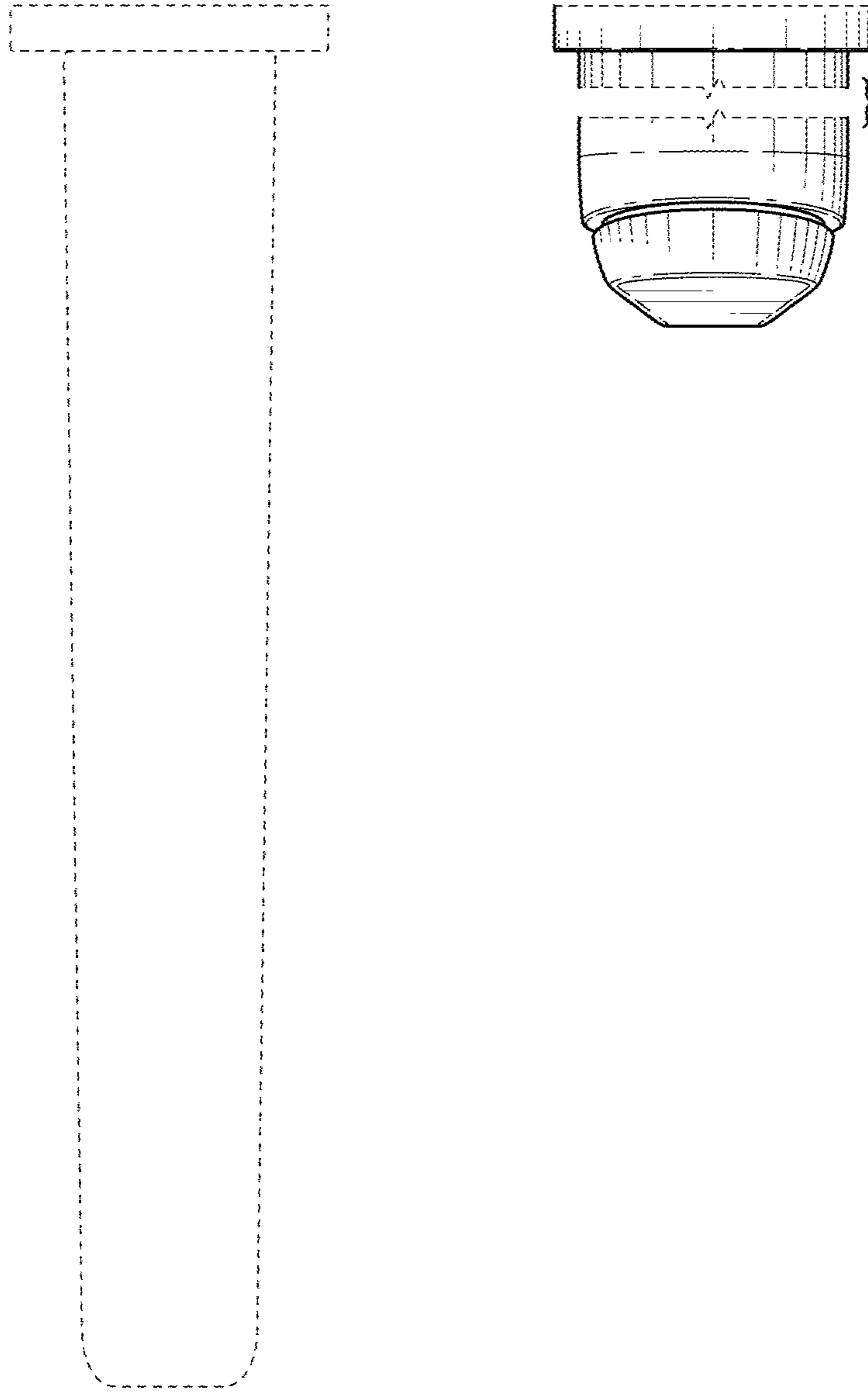


FIG. 6

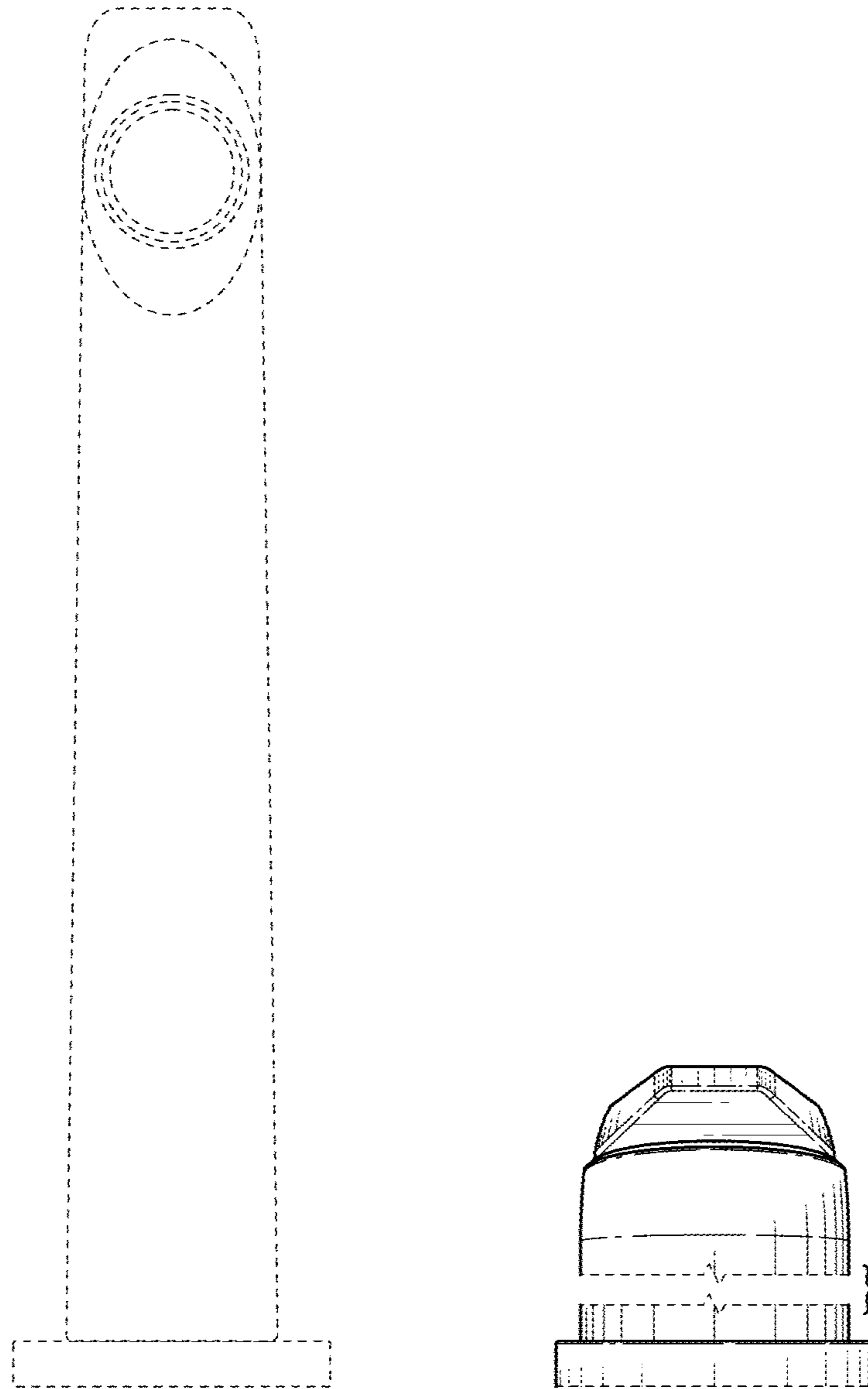


FIG. 7