



US00D782617S

(12) **United States Design Patent** (10) **Patent No.:** **US D782,617 S**
Evans et al. (45) **Date of Patent:** **** Mar. 28, 2017**

(54) **VALVE HOUSING CONNECTOR**

13/0402; F15B 13/044; F15B 13/0444;
F15B 15/2861; F15B 2211/315

(71) Applicant: **Moen Incorporated**, North Olmsted,
OH (US)

See application file for complete search history.

(72) Inventors: **Kenneth E. Evans**, Westlake, OH (US);
Matthew J. Lance, North Ridgeville,
OH (US); **Sanjeev S. Moghe**, Chagrin
Falls, OH (US); **Harshil Parikh**, North
Olmsted, OH (US); **Angie M.**
Rosengarten, Leipsic, OH (US)

(56) **References Cited**

U.S. PATENT DOCUMENTS

4,572,055 A 2/1986 Schiel
4,610,424 A 9/1986 Koppers et al.
4,760,866 A 8/1988 Adler
6,732,997 B2 5/2004 Beh et al.
6,802,487 B2 10/2004 Heun et al.
6,811,141 B2 11/2004 Green
7,044,434 B2 5/2006 Brinks et al.

(Continued)

(73) Assignee: **Moen Incorporated**, North Olmsted,
OH (US)

Primary Examiner — Cynthia Ramirez
Assistant Examiner — Michael Maharajh

(**) Term: **15 Years**

(74) *Attorney, Agent, or Firm* — Calfee, Halter &
Griswold LLP

(21) Appl. No.: **29/560,414**

(22) Filed: **Apr. 6, 2016**

(57) **CLAIM**

The ornamental design for a valve housing connector, as
shown and described.

Related U.S. Application Data

DESCRIPTION

(63) Continuation of application No. 15/001,141, filed on
Jan. 19, 2016, and a continuation of application No.
15/001,143, filed on Jan. 19, 2016, and a continuation
of application No. 15/001,147, filed on Jan. 19, 2016.

FIG. 1 is a perspective view of a valve housing connector
showing our new design;

(51) **LOC (10) Cl.** **23-01**

FIG. 2 is a front elevational view thereof;

(52) **U.S. Cl.**

FIG. 3 is a left side elevational view thereof;

USPC **D23/249**

FIG. 4 is a right side elevational view thereof;

(58) **Field of Classification Search**

FIG. 5 is a top plan view thereof; and,

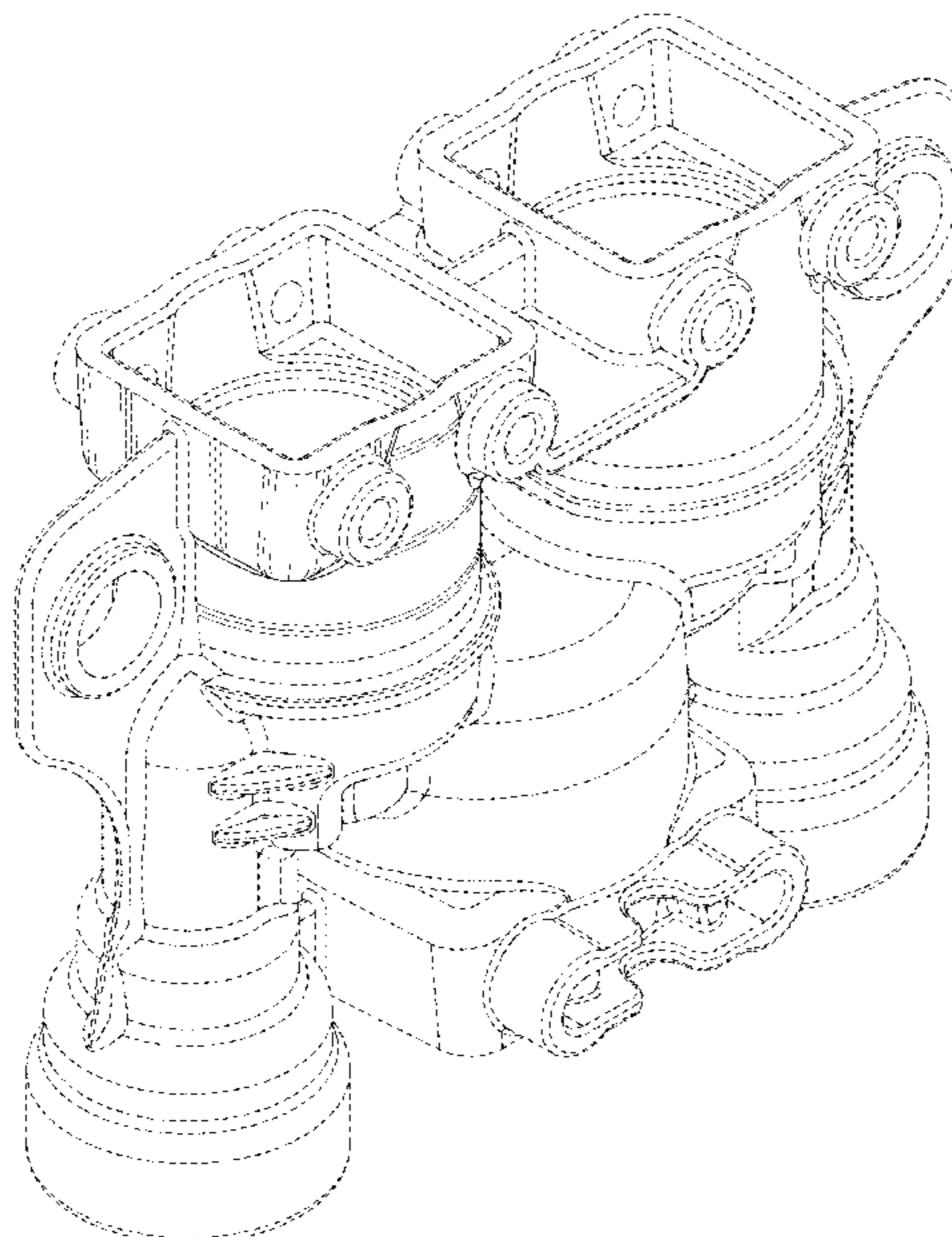
USPC D23/233–249, 270, 271, 259; 4/305;
D15/7, 199; 137/554, 557, 560, 882, 884,
137/343, 625.64, 269, 271; 251/331, 219,
251/15, 130, 129.04

FIG. 6 is a bottom plan view thereof.

CPC . E03C 1/05; E03C 1/057; E03C 1/055; E03C
1/04; E03D 5/10; E03D 13/00; F16K
31/02; F16K 13/06; H01F 7/081; A61F
2250/0039; F15B 13/0401; F15B

The broken lines shown in the figure drawings are for the
purpose of illustrating portions of the valve housing con-
nector and form no part of the claimed design. The broken
lines immediately adjacent to the shaded areas in the figures
are to define the boundaries of the claimed design and form
no part of the claimed design.

1 Claim, 4 Drawing Sheets



(56)

References Cited

U.S. PATENT DOCUMENTS

7,537,194	B2	5/2009	Nagai	
D632,361	S *	2/2011	Bobby D23/233
8,210,441	B2	7/2012	Kempf et al.	
8,267,107	B2	9/2012	Ho	
8,297,303	B2	10/2012	DeSantis et al.	
2013/0248019	A1	9/2013	Frick et al.	
2013/0248033	A1	9/2013	Parikh et al.	
2013/0248620	A1	9/2013	Evans et al.	
2016/0208465	A1 *	7/2016	Evans E03C 1/0404
2016/0208467	A1 *	7/2016	Song F16K 31/02
2016/0208945	A1 *	7/2016	Lance E03C 1/057
2016/0208946	A1 *	7/2016	Moghe F16K 31/02
2016/0208947	A1 *	7/2016	Song F16K 31/02
2016/0208948	A1 *	7/2016	Wallerstorfer F16K 31/02
2016/0208949	A1 *	7/2016	Wallerstorfer F16K 19/006

* cited by examiner

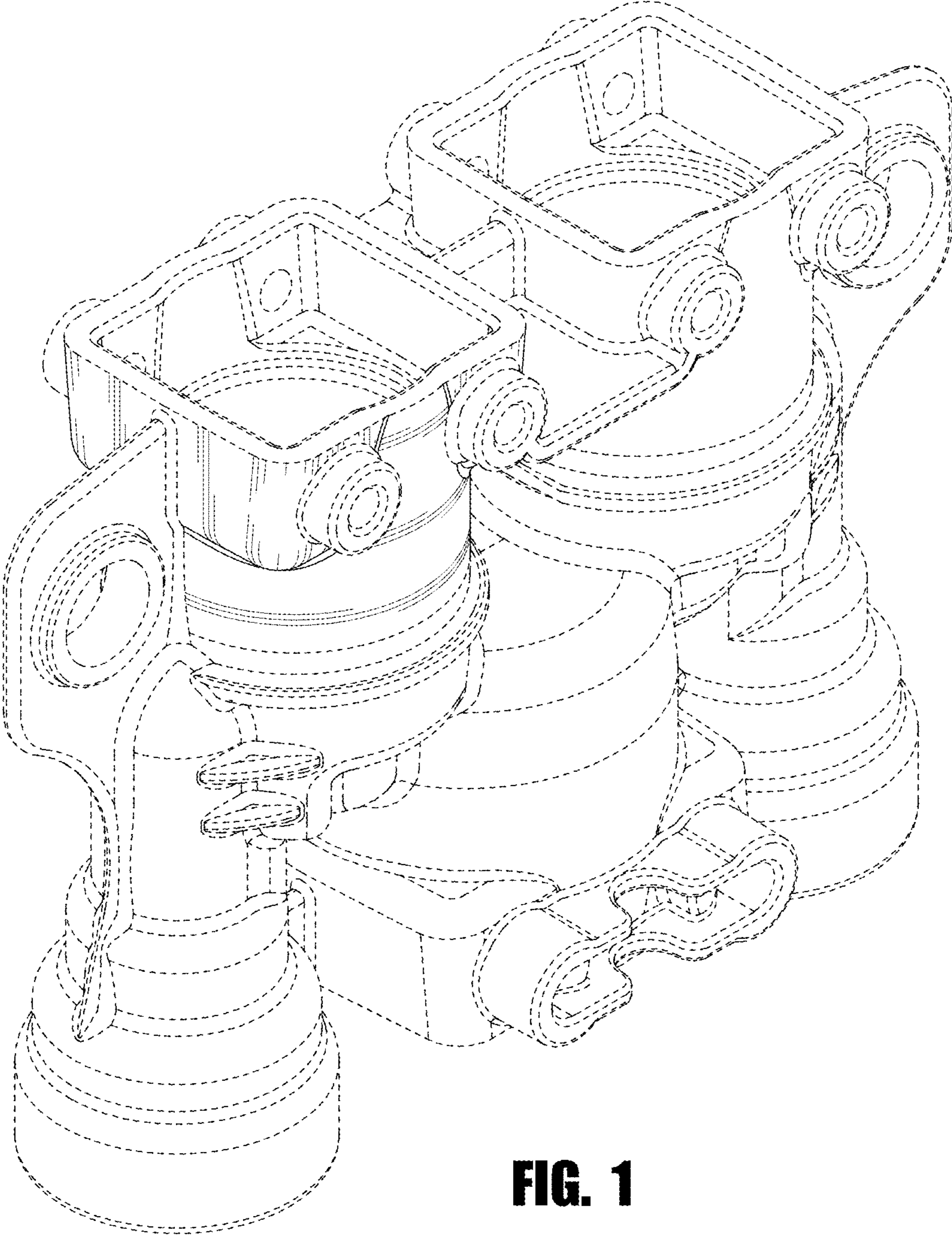


FIG. 1

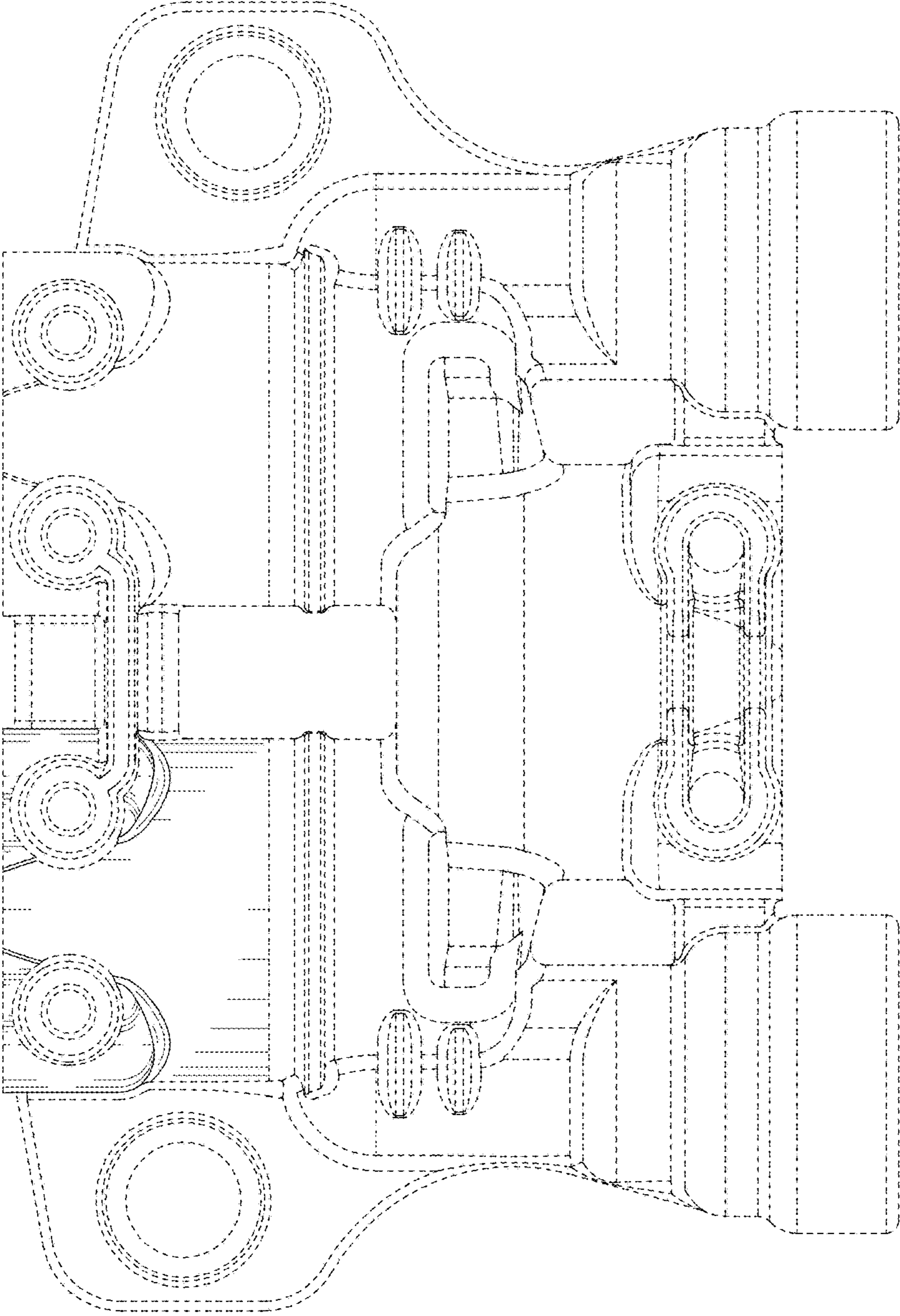


FIG. 2

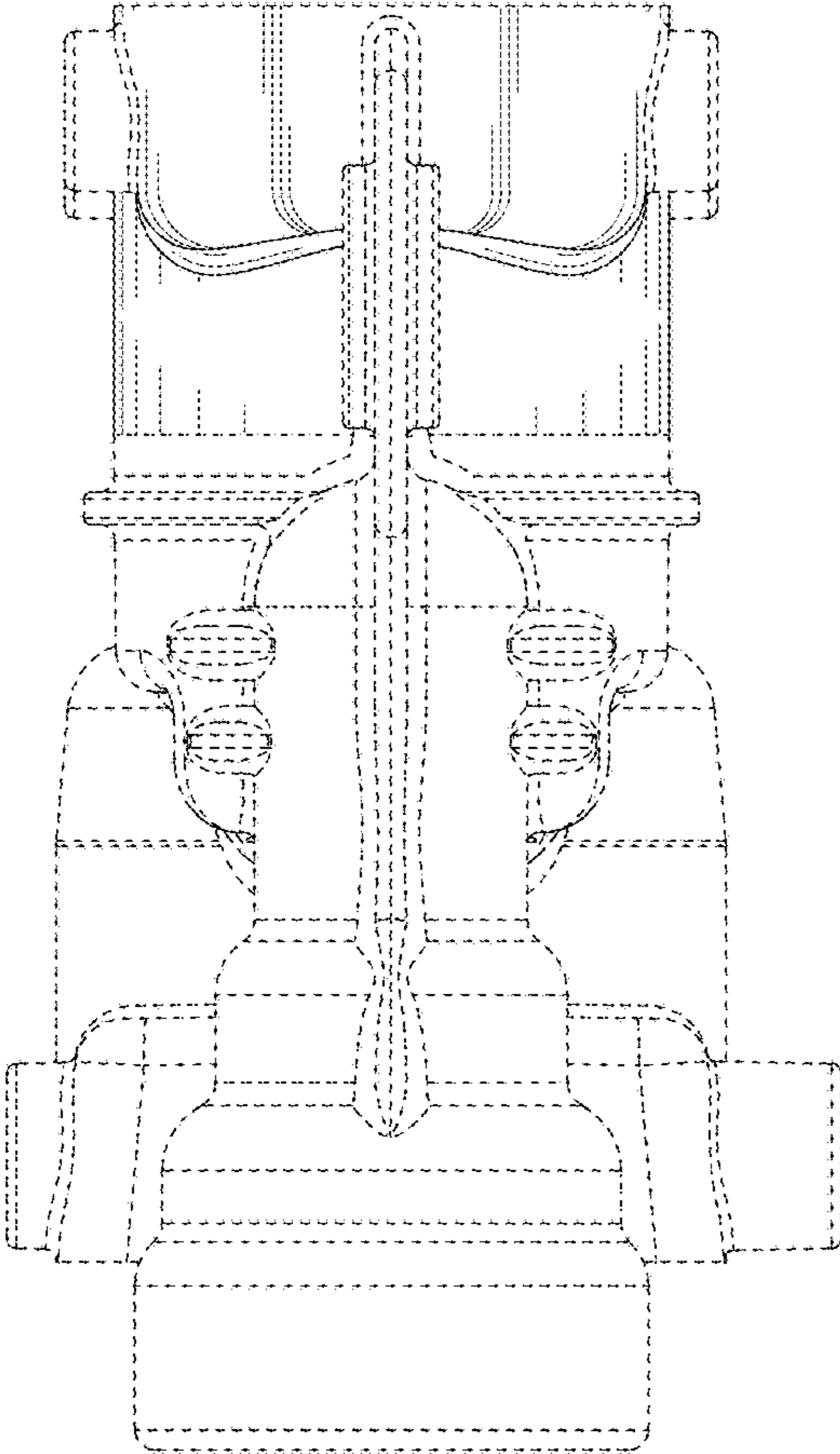


FIG. 3

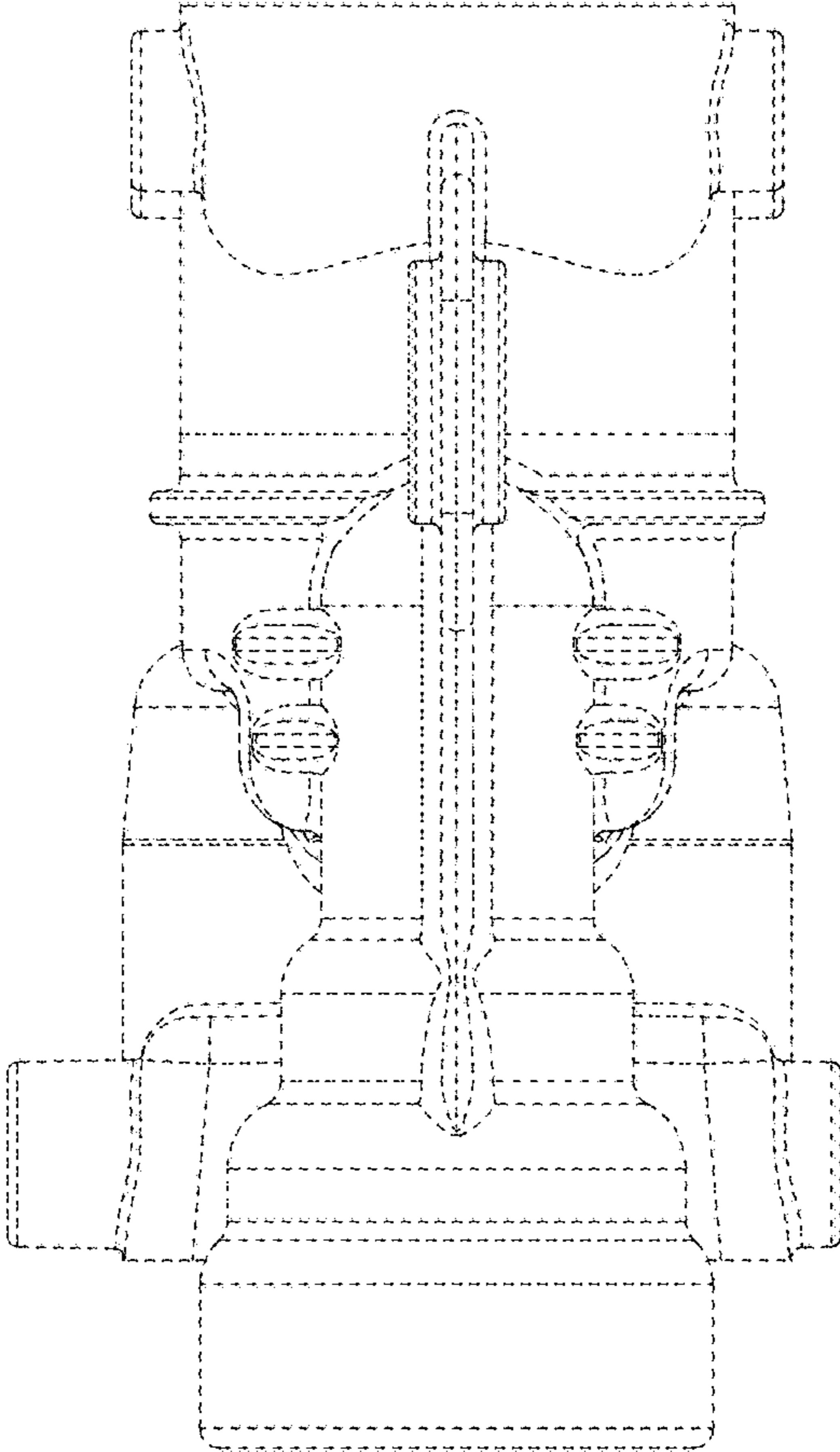


FIG. 4

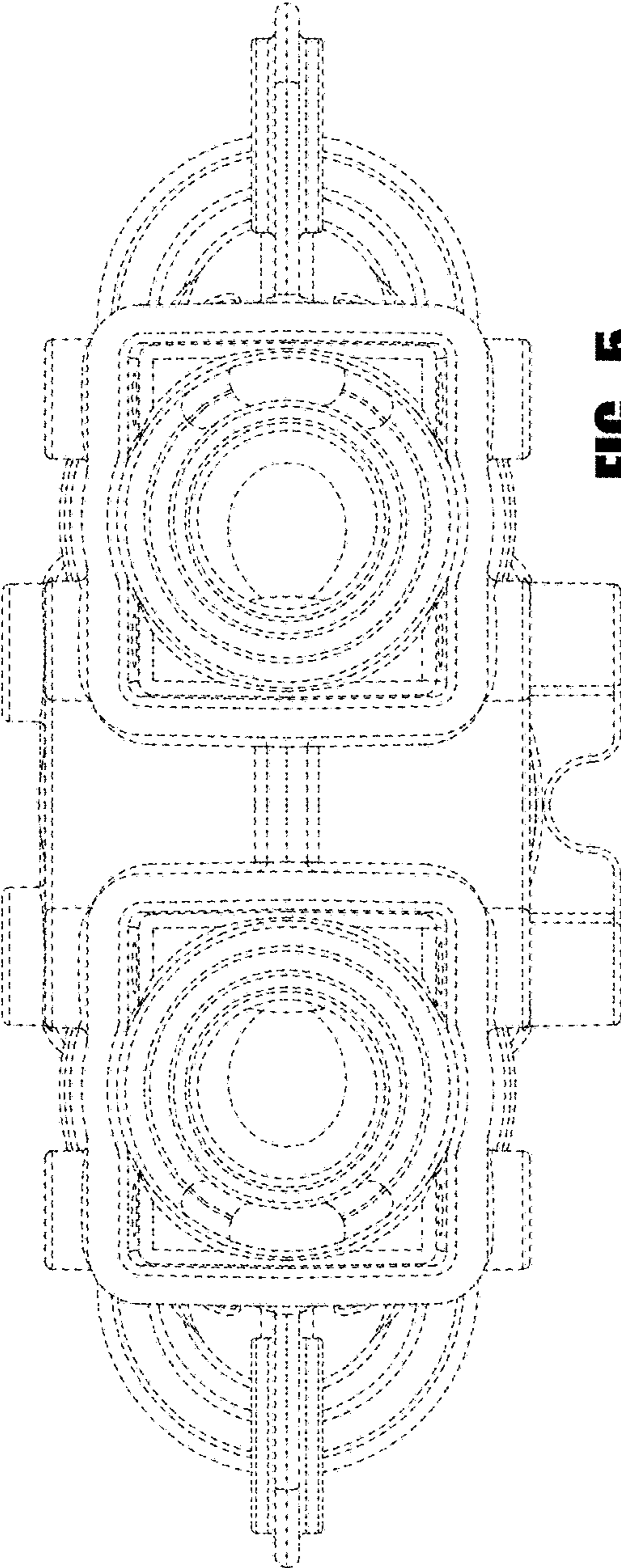


FIG. 5

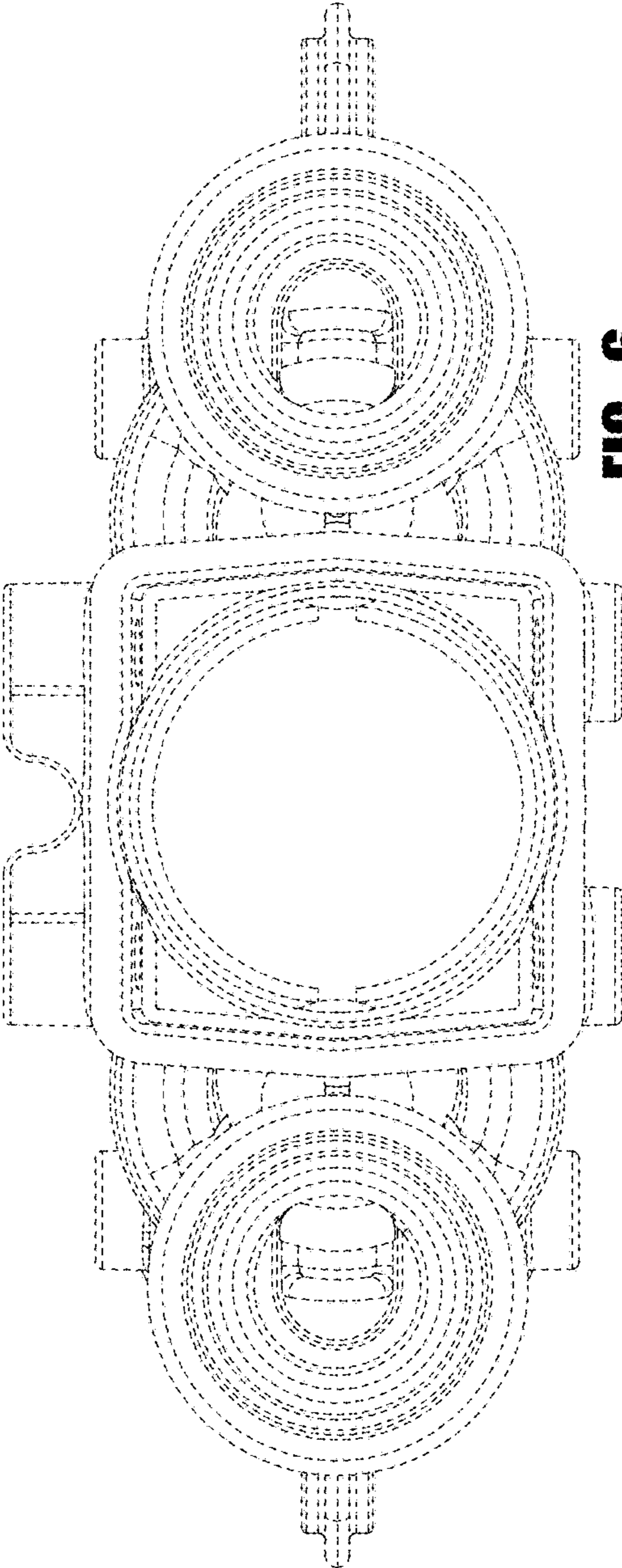


FIG. 6