



US00D782614S

(12) **United States Design Patent**
Miyazoe et al.

(10) **Patent No.:** **US D782,614 S**
(45) **Date of Patent:** **** Mar. 28, 2017**

(54) **ELECTROMAGNETIC VALVE**

(56) **References Cited**

(71) Applicant: **SMC CORPORATION**, Chiyoda-ku (JP)

U.S. PATENT DOCUMENTS

(72) Inventors: **Shinji Miyazoe**, Moriya (JP); **Shinichi Yoshimura**, Moriya (JP); **Takashi Murakami**, Moriya (JP)

D563,507 S	*	3/2008	Kato	D23/233
D563,516 S	*	3/2008	Mita	D23/233
D704,303 S	*	5/2014	Yoshimura	D23/233
D720,044 S	*	12/2014	Enzaki	D23/233
D721,787 S	*	1/2015	Yoshimura	D23/233
D752,182 S	*	3/2016	Umeda	D23/233

(73) Assignee: **SMC CORPORATION**, Chiyoda-ku (JP)

* cited by examiner

(**) Term: **15 Years**

Primary Examiner — Cynthia Ramirez

Assistant Examiner — Michael Maharajh

(21) Appl. No.: **29/560,398**

(74) *Attorney, Agent, or Firm* — Oblon, McClelland, Maier & Neustadt, L.L.P.

(22) Filed: **Apr. 6, 2016**

(57) **CLAIM**

(30) **Foreign Application Priority Data**

The ornamental design for an electromagnetic valve, as shown and described.

Oct. 9, 2015 (JP) 2015-022320

(51) **LOC (10) Cl.** **23-01**

DESCRIPTION

(52) **U.S. Cl.**

USPC **D23/233**

(58) **Field of Classification Search**

USPC D15/7, 199; D23/233-249, 259, 270, D23/271; 4/305; 137/554, 557, 560, 882, 137/884, 343, 625.64, 269, 271, 487.5, 137/599.07, 656.6, 596.14, 115.19, 137/115.23, 15.2, 1, 57, 50; 251/331, 251/219, 15, 130, 129.04, 129.15, 129.01, 251/30.04, 25, 38, 28, 41, 172; 239/585.1
CPC ... E03C 1/05; E03D 5/10; E03D 13/00; F16K 31/02; F16K 13/06; H01F 7/081; Y10T 137/86582; Y10T 137/7762; Y10T 137/7758; Y10T 137/87193; Y10T 137/7768; Y10T 137/8326; Y10T 137/7765; Y10T 137/87225

FIG. 1 is a front elevational view of an electromagnetic valve showing our new design;
FIG. 2 is a rear elevational view thereof;
FIG. 3 is a top plan view thereof;
FIG. 4 is a bottom plan view thereof;
FIG. 5 is a left side elevational view thereof;
FIG. 6 is a right side elevational view thereof;
FIG. 7 is a front, top, and left side perspective view thereof;
and,
FIG. 8 is a rear, bottom, and right side perspective view thereof.

The broken lines in the drawings are included for the purpose of illustrating portions of the electromagnetic valve and form no part of the claimed design.

See application file for complete search history.

1 Claim, 2 Drawing Sheets

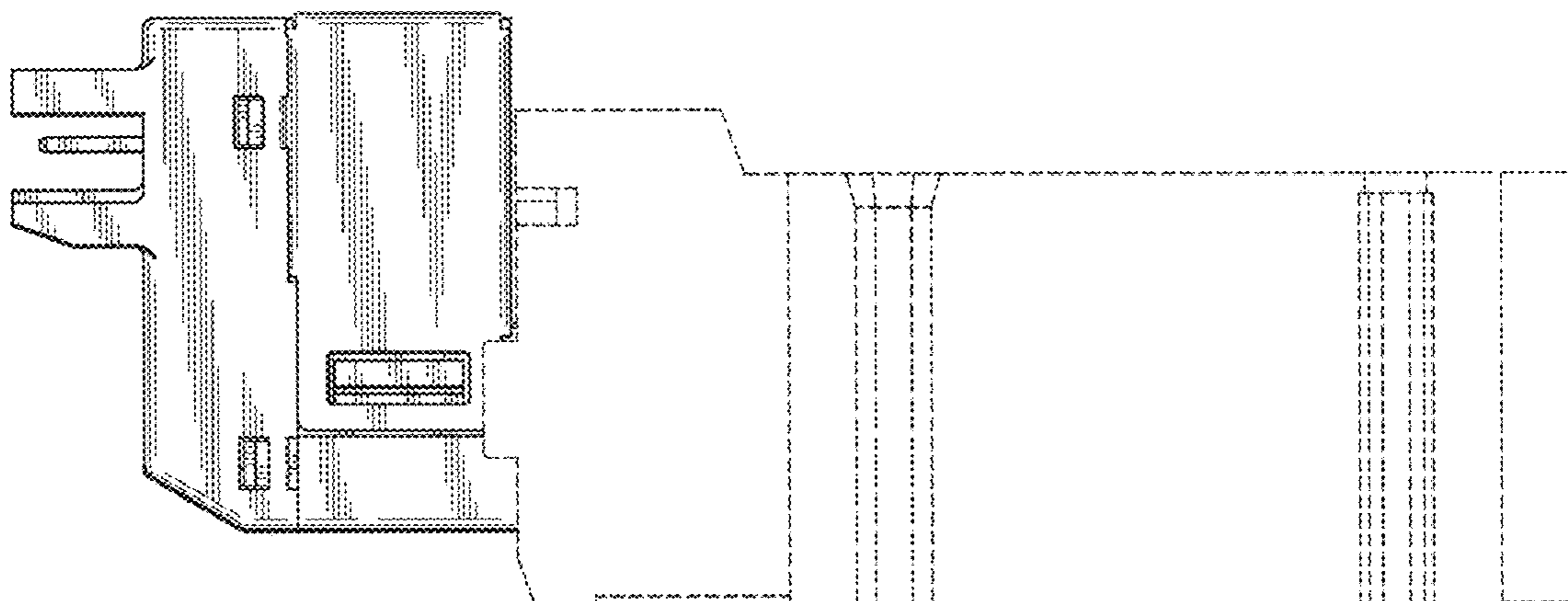


Fig. 1

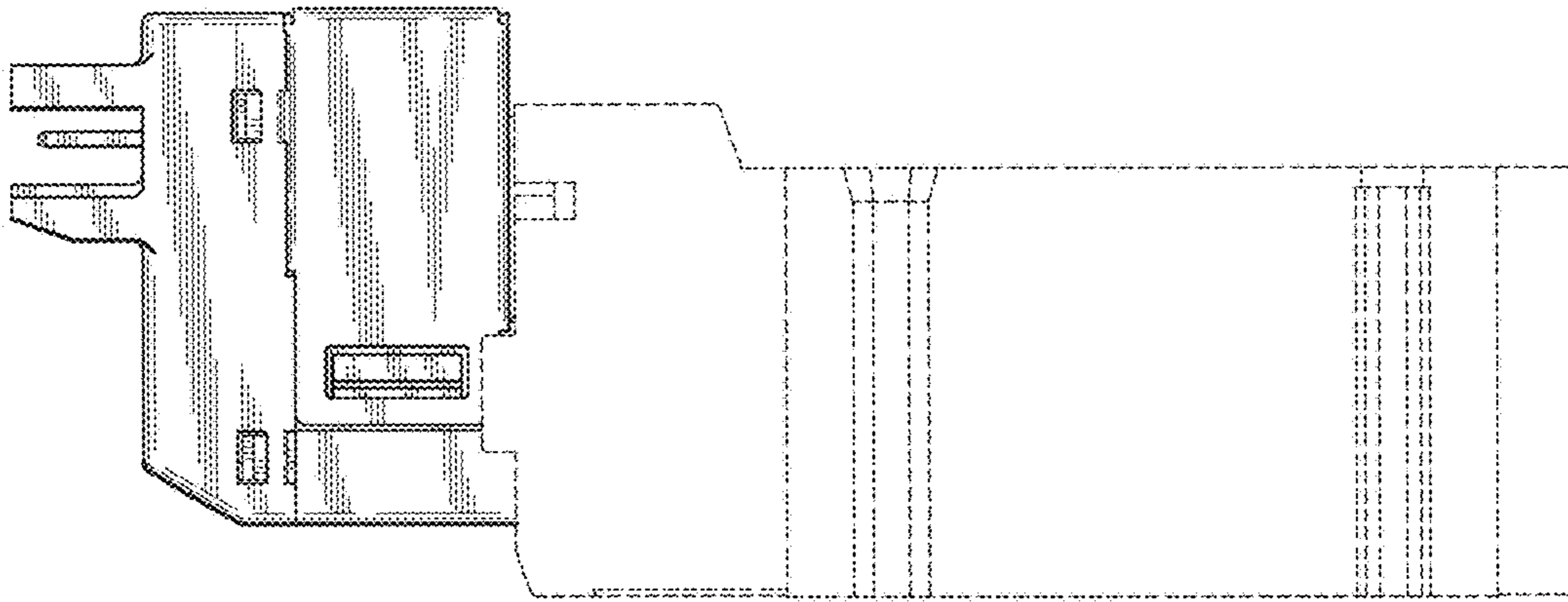


Fig 2

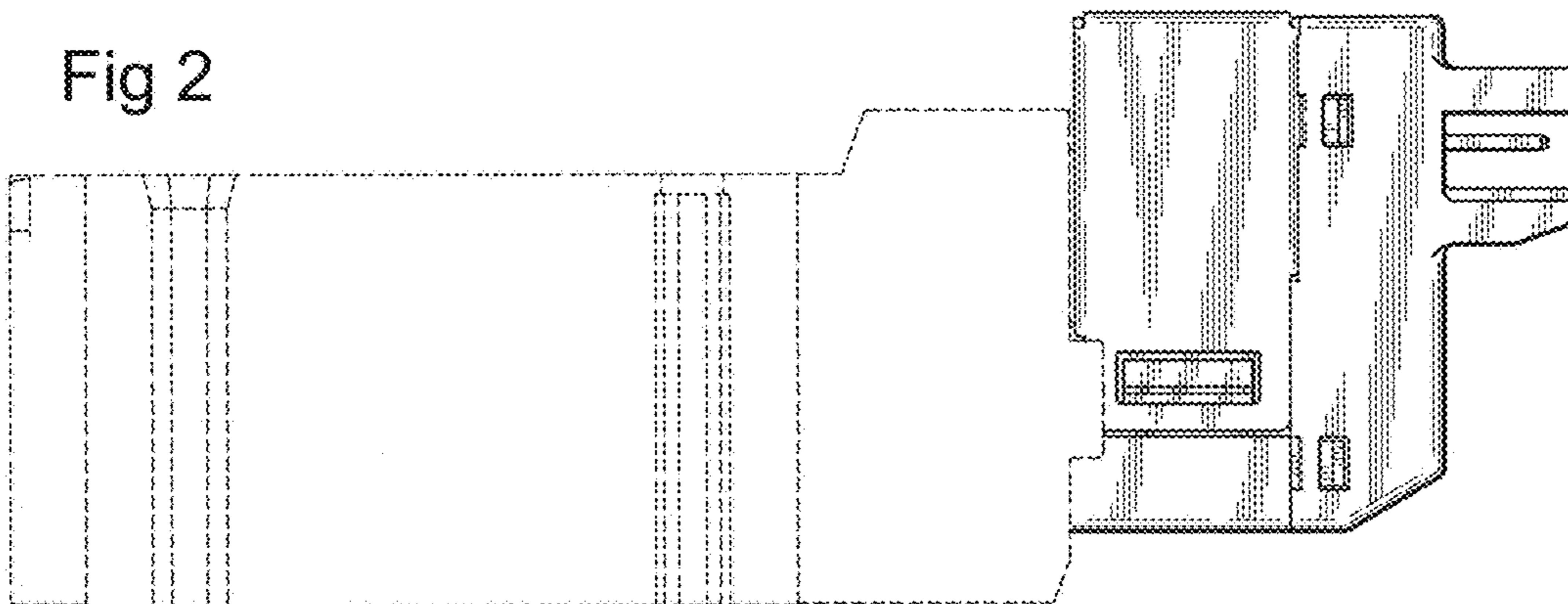


Fig. 3

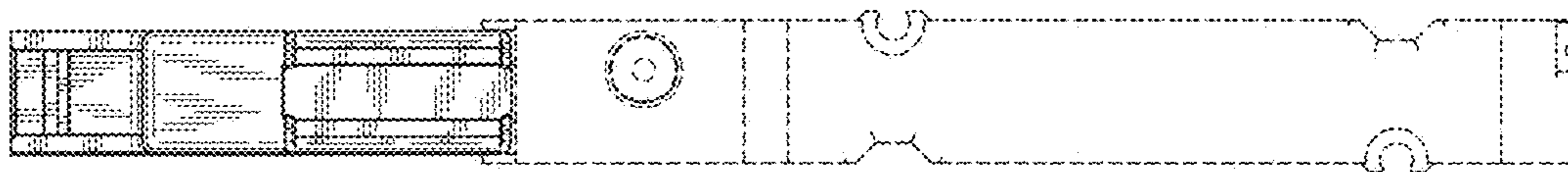


Fig. 4

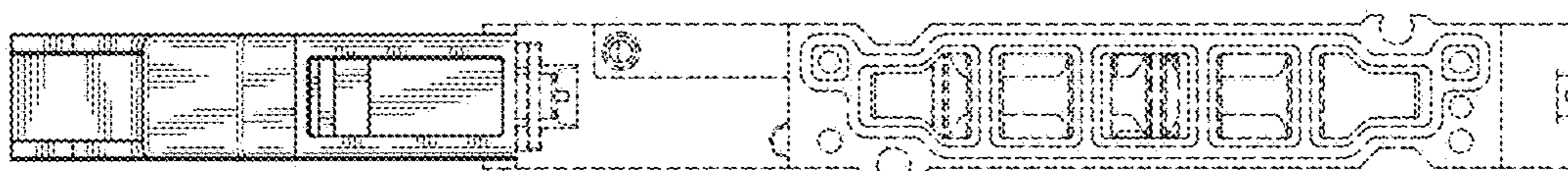


Fig. 5



Fig. 6



Fig. 7

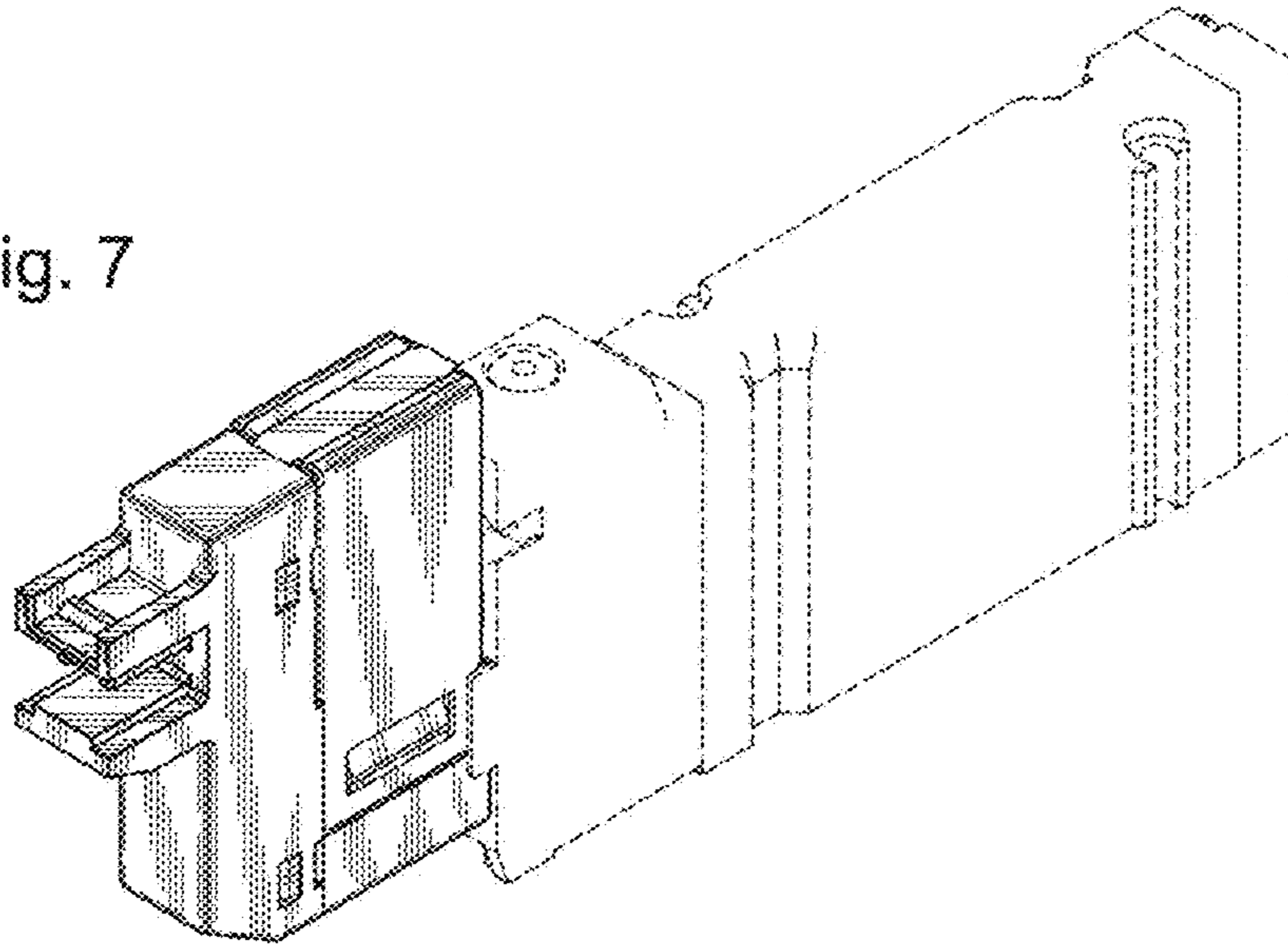


Fig. 8

