



US00D782612S

(12) **United States Design Patent**  
**Fujita et al.**

(10) **Patent No.:** **US D782,612 S**  
(45) **Date of Patent:** **\*\* Mar. 28, 2017**

- (54) **ELECTROMAGNETIC VALVE**
- (71) Applicant: **CKD CORPORATION**, Komaki-shi, Aichi (JP)
- (72) Inventors: **Kazuhiro Fujita**, Komaki (JP); **Shinya Sato**, Komaki (JP)
- (73) Assignee: **CKD CORPORATION**, Komaki (JP)
- (\*\*) Term: **15 Years**
- (21) Appl. No.: **29/530,702**
- (22) Filed: **Jun. 18, 2015**
- (30) **Foreign Application Priority Data**

Dec. 19, 2014 (JP) ..... 2014-028476

- (51) **LOC (10) Cl.** ..... **23-01**
- (52) **U.S. Cl.**  
USPC ..... **D23/233**
- (58) **Field of Classification Search**  
USPC ..... D23/233-250; 251/129.15, 129.01, 251/129.09, 129.07, 129.21, 129.03, 251/129.11, 129.02, 129.19, 129.16, 251/129.2; 137/487.5, 599.07, 625.48, 137/862; 239/585.1  
CPC ..... F16K 27/029; F16K 27/048; F16K 31/02; F16K 31/082; F16K 31/0606  
See application file for complete search history.

(56) **References Cited**  
U.S. PATENT DOCUMENTS

- D734,833 S \* 7/2015 Sato ..... D23/233
- D750,745 S \* 3/2016 Sato ..... D23/233

- D753,796 S \* 4/2016 Suematsu ..... D23/233
- D753,797 S \* 4/2016 Suematsu ..... D23/233
- D753,798 S \* 4/2016 Suematsu ..... D23/233
- 2014/0151590 A1\* 6/2014 Tsuchizawa ..... F16K 31/0679  
251/129.15
- 2014/0197341 A1\* 7/2014 Yoshimura ..... F16K 31/0658  
251/129.15
- 2016/0040801 A1\* 2/2016 Suematsu ..... F16K 7/12  
251/129.2

\* cited by examiner

*Primary Examiner* — Cynthia Ramirez  
*Assistant Examiner* — Gino Colan  
(74) *Attorney, Agent, or Firm* — Oliff PLC

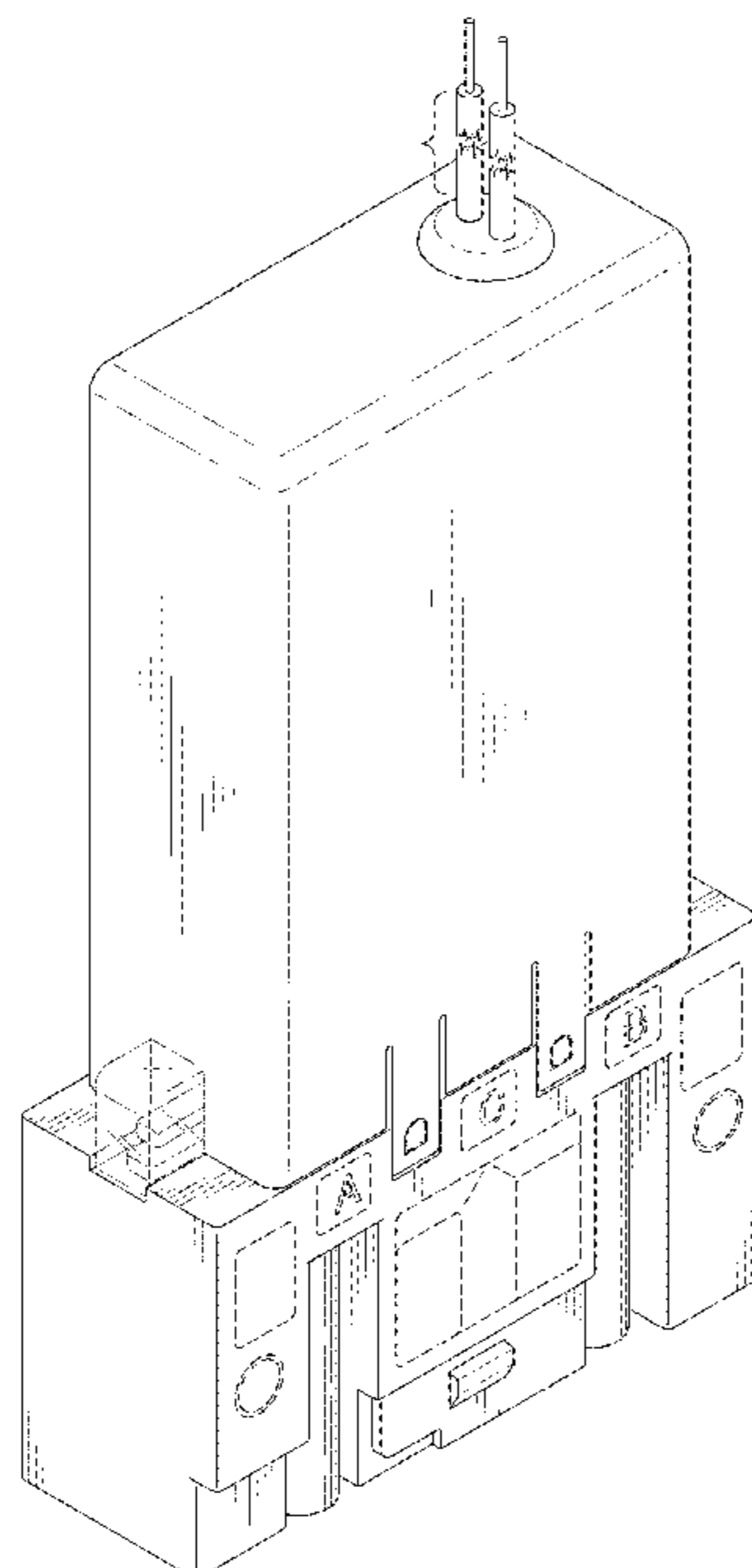
(57) **CLAIM**

The ornamental design for an electromagnetic valve, as shown and described.

**DESCRIPTION**

FIG. 1 is a front, left-side, bottom perspective view of the electromagnetic valve;  
FIG. 2 is a front elevational view thereof;  
FIG. 3 is a top plan view thereof;  
FIG. 4 is a right-side elevational view thereof;  
FIG. 5 is a left-side elevational view thereof;  
FIG. 6 is a rear elevational view thereof; and,  
FIG. 7 is a bottom plan view thereof.  
The broken lines shown in the figures are included for the purpose of illustrating environment and form no part of the claimed design. The lead wires on the top portion of the electromagnetic valve are shown with two parallel dash-dot lines and a symbolic break in its length. The appearance of any portion of the article between the break lines forms no part of the claimed design.

**1 Claim, 4 Drawing Sheets**



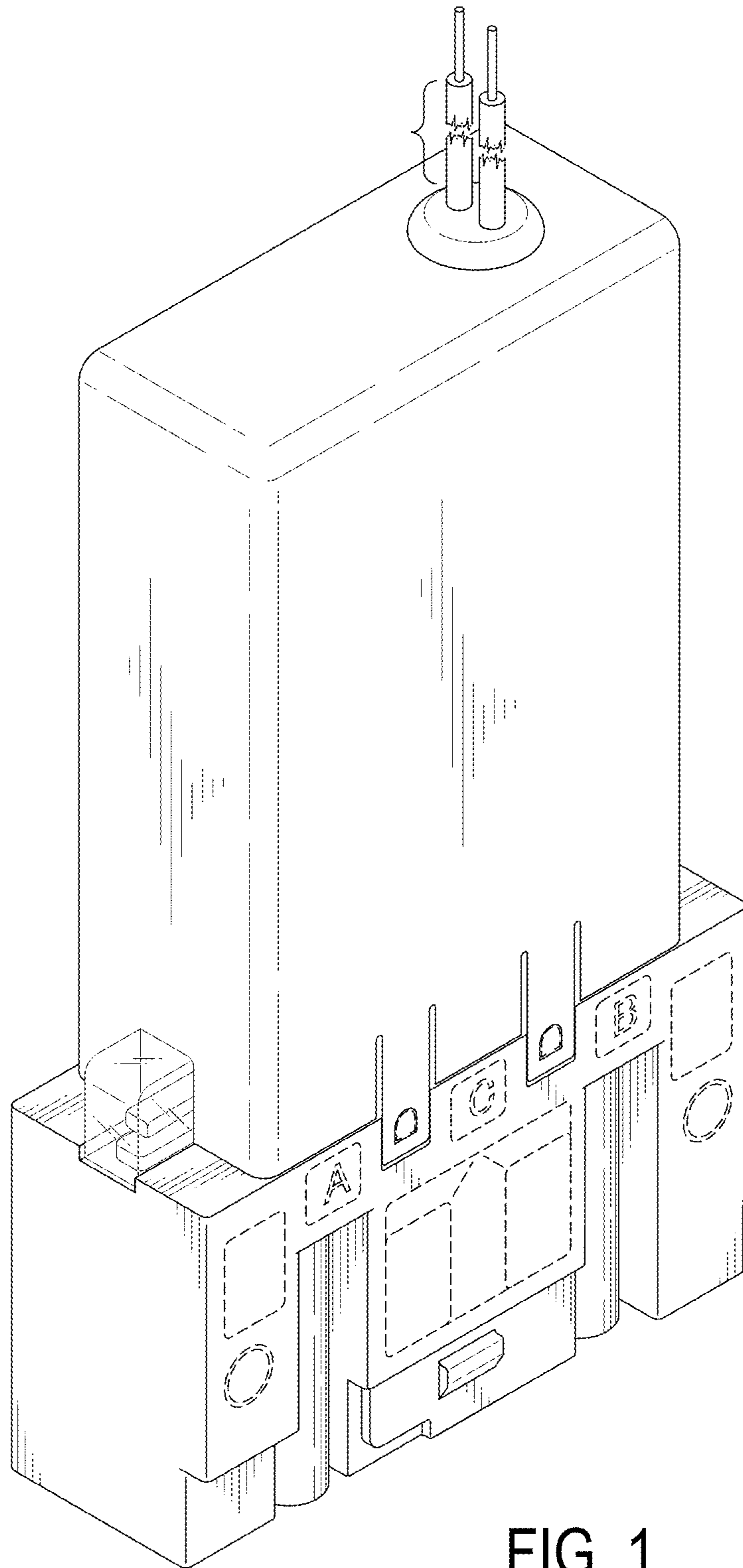


FIG. 1

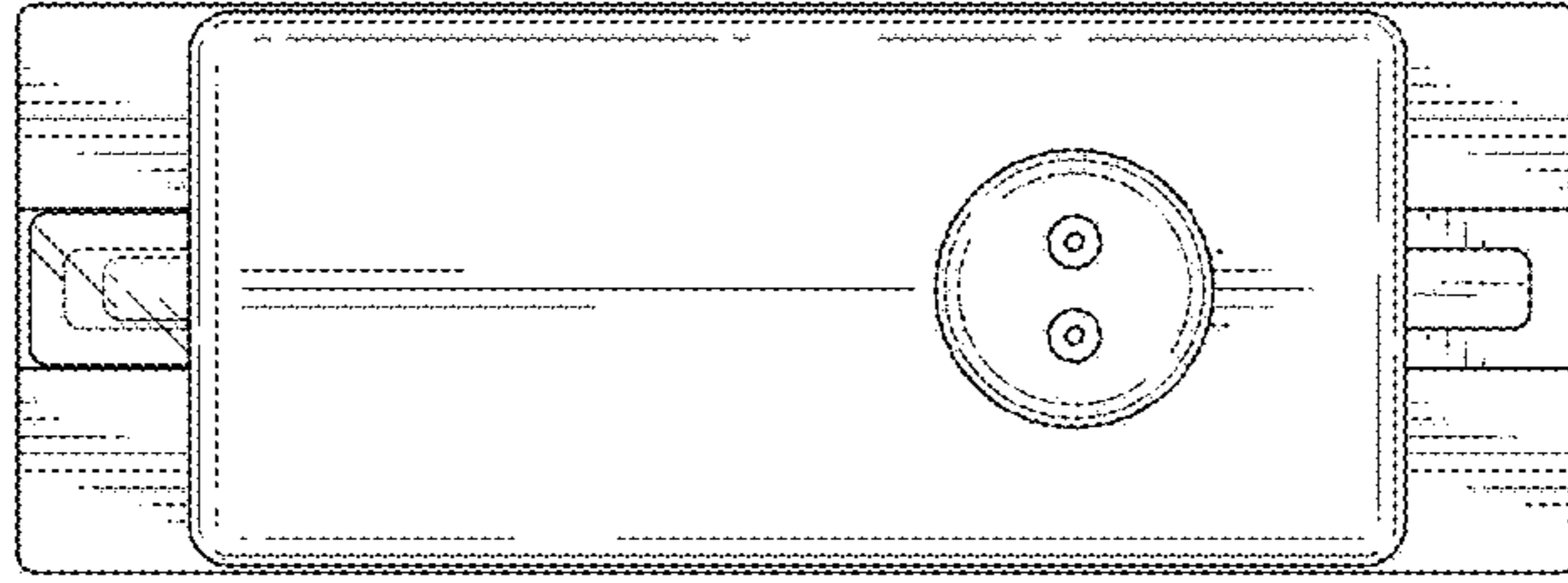


FIG. 3

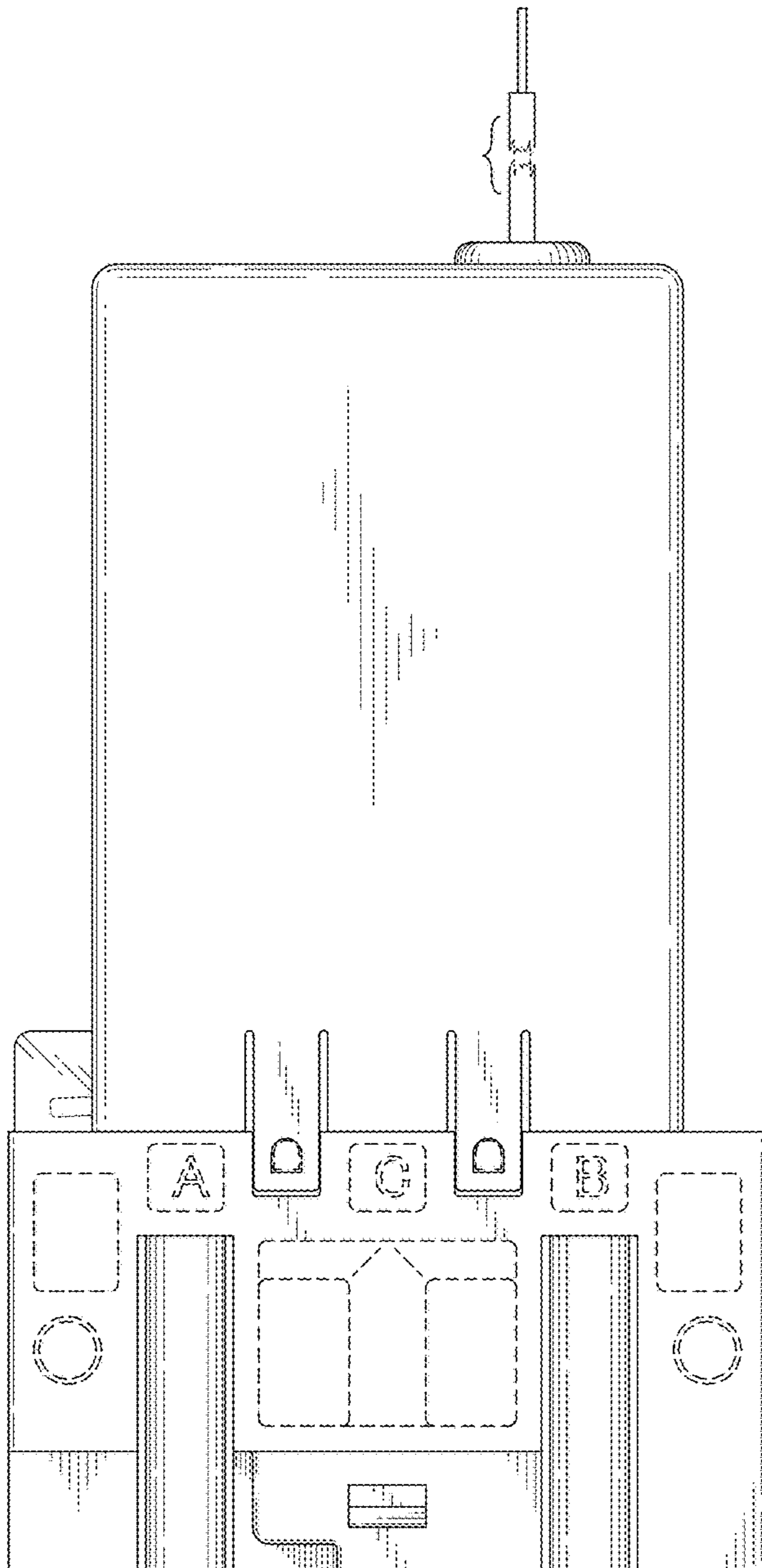


FIG. 2

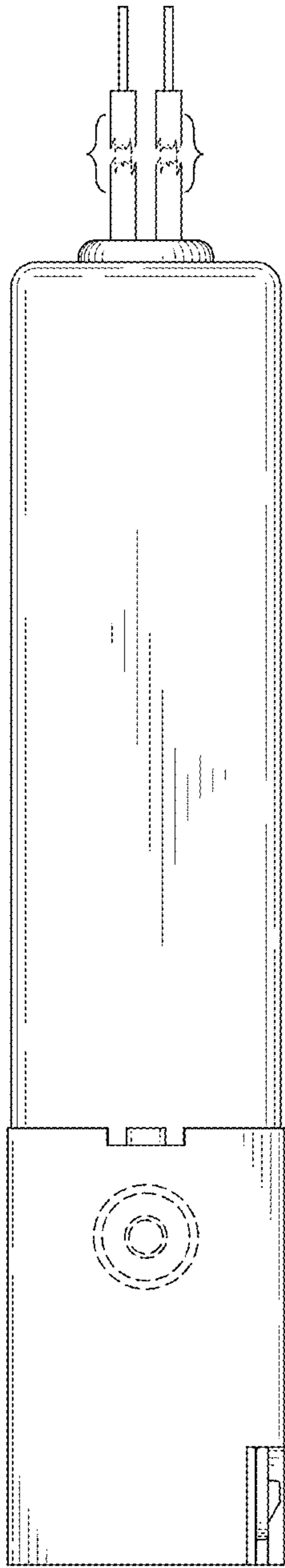


FIG. 4



FIG. 5

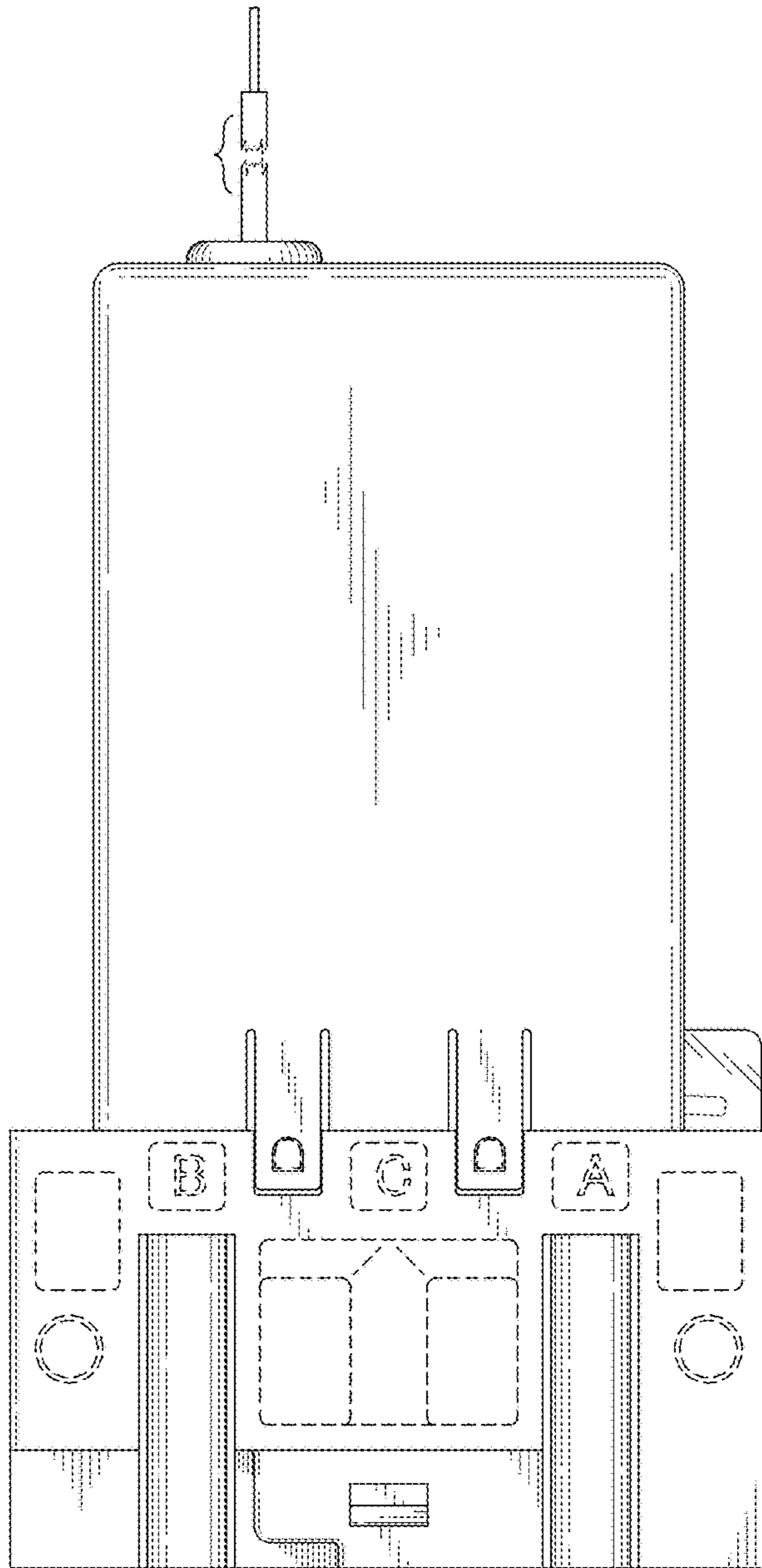


FIG. 6

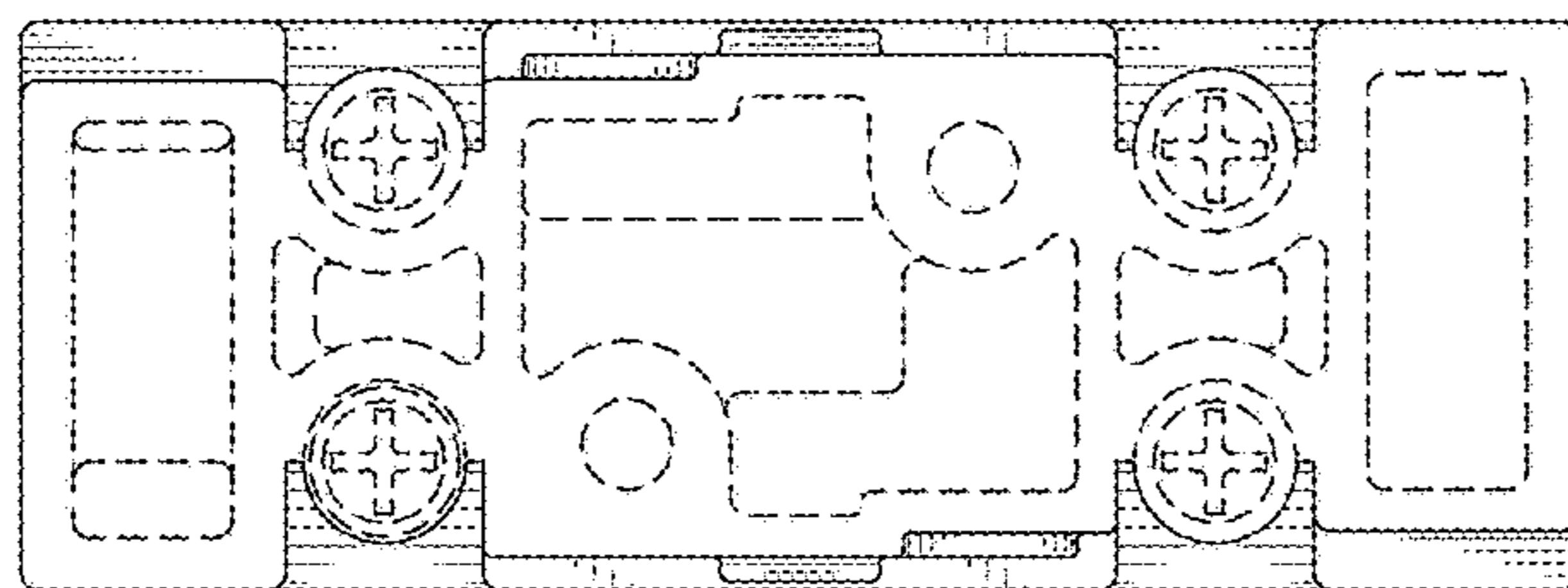


FIG. 7